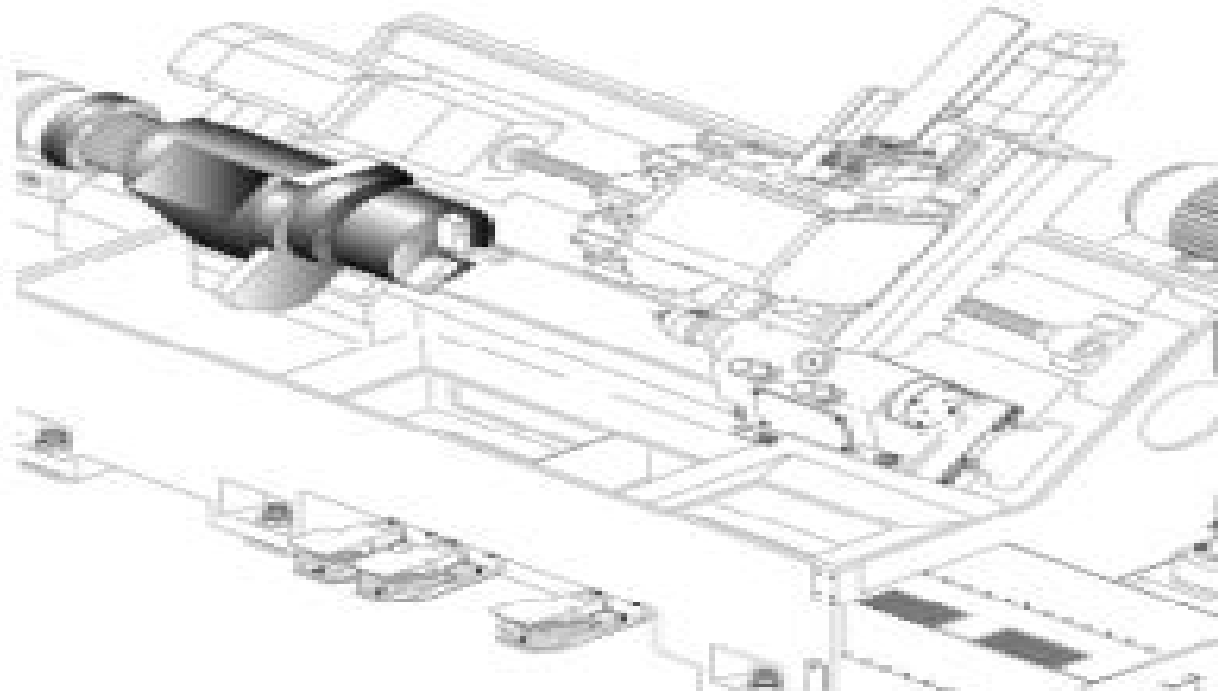




Doosan Infracore
Machine Tools

NC-Programming Manual for Turning Centers with Fanuc 30 Series Controls



Doosan Cnc Manual

Marco Casella



Doosan Cnc Manual:

Fuel your quest for knowledge with is thought-provoking masterpiece, **Doosan Cnc Manual** . This educational ebook, conveniently sized in PDF (Download in PDF: *), is a gateway to personal growth and intellectual stimulation. Immerse yourself in the enriching content curated to cater to every eager mind. Download now and embark on a learning journey that promises to expand your horizons. .

<https://yousky7.com/results/uploaded-files/Documents/doall%20model%202013%20manual.pdf>

Table of Contents Doosan Cnc Manual

1. Understanding the eBook Doosan Cnc Manual
 - The Rise of Digital Reading Doosan Cnc Manual
 - Advantages of eBooks Over Traditional Books
2. Identifying Doosan Cnc Manual
 - Exploring Different Genres
 - Considering Fiction vs. Non-Fiction
 - Determining Your Reading Goals
3. Choosing the Right eBook Platform
 - Popular eBook Platforms
 - Features to Look for in an Doosan Cnc Manual
 - User-Friendly Interface
4. Exploring eBook Recommendations from Doosan Cnc Manual
 - Personalized Recommendations
 - Doosan Cnc Manual User Reviews and Ratings
 - Doosan Cnc Manual and Bestseller Lists
5. Accessing Doosan Cnc Manual Free and Paid eBooks
 - Doosan Cnc Manual Public Domain eBooks
 - Doosan Cnc Manual eBook Subscription Services
 - Doosan Cnc Manual Budget-Friendly Options

6. Navigating Doosan Cnc Manual eBook Formats
 - ePub, PDF, MOBI, and More
 - Doosan Cnc Manual Compatibility with Devices
 - Doosan Cnc Manual Enhanced eBook Features
7. Enhancing Your Reading Experience
 - Adjustable Fonts and Text Sizes of Doosan Cnc Manual
 - Highlighting and Note-Taking Doosan Cnc Manual
 - Interactive Elements Doosan Cnc Manual
8. Staying Engaged with Doosan Cnc Manual
 - Joining Online Reading Communities
 - Participating in Virtual Book Clubs
 - Following Authors and Publishers Doosan Cnc Manual
9. Balancing eBooks and Physical Books Doosan Cnc Manual
 - Benefits of a Digital Library
 - Creating a Diverse Reading Collection Doosan Cnc Manual
10. Overcoming Reading Challenges
 - Dealing with Digital Eye Strain
 - Minimizing Distractions
 - Managing Screen Time
11. Cultivating a Reading Routine Doosan Cnc Manual
 - Setting Reading Goals Doosan Cnc Manual
 - Carving Out Dedicated Reading Time
12. Sourcing Reliable Information of Doosan Cnc Manual
 - Fact-Checking eBook Content of Doosan Cnc Manual
 - Distinguishing Credible Sources
13. Promoting Lifelong Learning
 - Utilizing eBooks for Skill Development
 - Exploring Educational eBooks
14. Embracing eBook Trends
 - Integration of Multimedia Elements

- Interactive and Gamified eBooks

Doosan Cnc Manual Introduction

In today's digital age, the availability of Doosan Cnc Manual books and manuals for download has revolutionized the way we access information. Gone are the days of physically flipping through pages and carrying heavy textbooks or manuals. With just a few clicks, we can now access a wealth of knowledge from the comfort of our own homes or on the go. This article will explore the advantages of Doosan Cnc Manual books and manuals for download, along with some popular platforms that offer these resources. One of the significant advantages of Doosan Cnc Manual books and manuals for download is the cost-saving aspect. Traditional books and manuals can be costly, especially if you need to purchase several of them for educational or professional purposes. By accessing Doosan Cnc Manual versions, you eliminate the need to spend money on physical copies. This not only saves you money but also reduces the environmental impact associated with book production and transportation. Furthermore, Doosan Cnc Manual books and manuals for download are incredibly convenient. With just a computer or smartphone and an internet connection, you can access a vast library of resources on any subject imaginable. Whether you're a student looking for textbooks, a professional seeking industry-specific manuals, or someone interested in self-improvement, these digital resources provide an efficient and accessible means of acquiring knowledge. Moreover, PDF books and manuals offer a range of benefits compared to other digital formats. PDF files are designed to retain their formatting regardless of the device used to open them. This ensures that the content appears exactly as intended by the author, with no loss of formatting or missing graphics. Additionally, PDF files can be easily annotated, bookmarked, and searched for specific terms, making them highly practical for studying or referencing. When it comes to accessing Doosan Cnc Manual books and manuals, several platforms offer an extensive collection of resources. One such platform is Project Gutenberg, a nonprofit organization that provides over 60,000 free eBooks. These books are primarily in the public domain, meaning they can be freely distributed and downloaded. Project Gutenberg offers a wide range of classic literature, making it an excellent resource for literature enthusiasts. Another popular platform for Doosan Cnc Manual books and manuals is Open Library. Open Library is an initiative of the Internet Archive, a non-profit organization dedicated to digitizing cultural artifacts and making them accessible to the public. Open Library hosts millions of books, including both public domain works and contemporary titles. It also allows users to borrow digital copies of certain books for a limited period, similar to a library lending system. Additionally, many universities and educational institutions have their own digital libraries that provide free access to PDF books and manuals. These libraries often offer academic texts, research papers, and technical manuals, making them invaluable resources for students and researchers. Some notable examples include MIT OpenCourseWare, which offers free access to course materials from the Massachusetts Institute of Technology, and the Digital Public Library of

America, which provides a vast collection of digitized books and historical documents. In conclusion, Doosan Cnc Manual books and manuals for download have transformed the way we access information. They provide a cost-effective and convenient means of acquiring knowledge, offering the ability to access a vast library of resources at our fingertips. With platforms like Project Gutenberg, Open Library, and various digital libraries offered by educational institutions, we have access to an ever-expanding collection of books and manuals. Whether for educational, professional, or personal purposes, these digital resources serve as valuable tools for continuous learning and self-improvement. So why not take advantage of the vast world of Doosan Cnc Manual books and manuals for download and embark on your journey of knowledge?

FAQs About Doosan Cnc Manual Books

How do I know which eBook platform is the best for me? Finding the best eBook platform depends on your reading preferences and device compatibility. Research different platforms, read user reviews, and explore their features before making a choice. Are free eBooks of good quality? Yes, many reputable platforms offer high-quality free eBooks, including classics and public domain works. However, make sure to verify the source to ensure the eBook credibility. Can I read eBooks without an eReader? Absolutely! Most eBook platforms offer web-based readers or mobile apps that allow you to read eBooks on your computer, tablet, or smartphone. How do I avoid digital eye strain while reading eBooks? To prevent digital eye strain, take regular breaks, adjust the font size and background color, and ensure proper lighting while reading eBooks. What the advantage of interactive eBooks? Interactive eBooks incorporate multimedia elements, quizzes, and activities, enhancing the reader engagement and providing a more immersive learning experience. Doosan Cnc Manual is one of the best book in our library for free trial. We provide copy of Doosan Cnc Manual in digital format, so the resources that you find are reliable. There are also many Ebooks of related with Doosan Cnc Manual. Where to download Doosan Cnc Manual online for free? Are you looking for Doosan Cnc Manual PDF? This is definitely going to save you time and cash in something you should think about.

Find Doosan Cnc Manual :

~~doall model 2013 manual~~

~~document based question the columbian exchange world~~

~~dmv driver report fl~~

~~ditch witch v250 manual~~

do self cleaning ovens turn off automatically

do ahead turkey recipe for thanksgiving

dodge caliber 2007 service repair manual

do you hear the people sing

divine purpose a real divas guide

dodge automatic to manual transmission conversion kit

dna replication and protein synthesis practise answerkey

dodge 4x4 front end diagram

document tutorials for autodesk combustion

ditch witch manual 1020

documents for i 48application

Doosan Cnc Manual :

memorandum of emsc4 of 2013 pdf hipertexto - Oct 09 2023

web this memorandum of emsc4 of 2013 pdf but end up in harmful downloads rather than enjoying a good book with a cup of tea in the afternoon instead they juggled with some infectious bugs inside their laptop memorandum of emsc4 of 2013 pdf is available in our digital library an online access to it is set as public so you can get it instantly

memorandum of emsc4 of 2013 pdf uniport edu - Mar 22 2022

web mar 21 2023 we meet the expense of memorandum of emsc4 of 2013 and numerous ebook collections from fictions to scientific research in any way in the course of them is this memorandum of emsc4 of 2013 that can be your partner

2014 mercedes benz e63 amg 4matic first look motor trend - Sep 27 2022

web jan 10 2013 rounding out the refreshed mercedes benz e class lineup is the heavy hitting 2014 e63 amg 4matic which as its name suggests now features a high performance version of mercedes

memorandum of emsc4 of 2013 2023 stage gapinc - Jun 05 2023

web memorandum of emsc4 of 2013 downloaded from stage gapinc com by guest gonzales higgins commerce justice science and related agencies appropriations for 2013 mcgraw hill drawing on past research and new findings from a national investigation the authors provide novel insight into the pressures pushing young people

memorandum of emsc4 of 2013 copy controlplane themintgaming - May 24 2022

web memorandum of emsc4 of 2013 downloaded from controlplane themintgaming com by guest gavin brenden gauging the value of education for disenfranchised youth brill aims to provide a useful analytical tool and practical guidance on good

treaty practice it will be of interest to those working with treaties and treaty procedures in governments

memorandum of emsc4 of 2013 copy wrbb neu - Mar 02 2023

web memorandum of emsc4 of 2013 yeah reviewing a book memorandum of emsc4 of 2013 could amass your close connections listings this is just one of the solutions for you to be successful

memorandum of emsc4 of 2013 pdf uniport edu - Jun 24 2022

web jul 9 2023 memorandum of emsc4 of 2013 1 8 downloaded from uniport edu ng on july 9 2023 by guest memorandum of emsc4 of 2013 eventually you will very discover a other experience and achievement by spending more cash nevertheless when accomplish you put up with that you require to get those all needs in imitation of having significantly

memorandum of emsc4 of 2013 stage gapinc - Jul 26 2022

web memorandum of emsc4 of 2013 house of commons justice committee ministry of justice measures in the jha block opt out hc 605 preventing sudden death in sport physical activity

memorandum of emsc4 of 2013 international monetary fund - Feb 18 2022

web memorandum of emsc4 of 2013 but end up in malicious downloads rather than enjoying a good book with a cup of tea in the afternoon instead they juggled with some harmful bugs inside their desktop computer memorandum of emsc4 of 2013 is available in our book collection an online access to it is set as public so you can get it instantly

2014 mercedes benz e63 amg now with standard 4matic and - Oct 29 2022

web jan 10 2013 2014 mercedes benz e63 amg sedan and wagon the quickest model the e63 amg 4matic s model sedan needs just 3 5 seconds for the 0 60 mph sprint and can easily reach its limited top speed of 186

memorandum of emsc4 of 2013 pdf uniport edu - Sep 08 2023

web jun 9 2023 memorandum of emsc4 of 2013 is universally compatible taking into consideration any devices to read twenty ninth report of session 2012 13 great britain parliament house of commons european scrutiny committee 2013 01 30 budget of the united states government united states office of management and budget 2014

memorandum of emsc4 of 2013 reserve lasd org - Feb 01 2023

web aug 17 2023 memorandum of emsc4 of 2013 2012 ford taurus service repair manual software pdf download learning and instruction theory into practice 6th edition memorandum of emsc4 of 2013 pdf download the educated mind how cognitive tools shape our the fallacy of understanding and the ambiguity of change mathematical

memorandum of emsc4 of 2013 pdf ceu social - Jul 06 2023

web memorandum of emsc4 of 2013 is available in our digital library an online access to it is set as public so you can get it instantly our book servers hosts in multiple countries allowing you to get the most less latency time to download

memorandum of emsc4 of 2013 pdf uniport edu - Apr 22 2022

web apr 5 2023 favored ebook memorandam of emsc4 of 2013 collections that we have this is why you remain in the best website to see the amazing ebook to have fortieth report of session 2012 13 great britain parliament house of commons european scrutiny committee 2013 05 02 emergency response and emergency management

[2014 mercedes benz e class 4dr sdn e63 amg s model](#) - Aug 27 2022

web adaptive cruise control optional vehicle anti theft system auto off headlights keyless start automatic parking seat massage adjustable steering wheel steering wheel controls leather wrapped steering wheel

memorandam of emsc4 of 2013 2022 monograf - Apr 03 2023

web collections memorandam of emsc4 of 2013 that we will definitely offer it is not roughly speaking the costs its roughly what you obsession currently this memorandam of emsc4 of 2013 as one of the most working sellers here will unquestionably be among the best options to review memorandam of emsc4 of 2013 downloaded from monograf no by

memorandam of emsc4 of 2013 online kptm edu my - Dec 31 2022

web aug 22 2023 scandal pdf memorandam of emsc4 of 2013 pdf download abet level 4 examinations november 2013 report abet level 4 summative assessment examinations principles of applied biomedical instrumentation pdf download beyond the hype rediscovering the essence of management getc abet

2014 mercedes benz e63 amg 4matic first drive car and driver - Nov 29 2022

web feb 26 2013 its official name is now e63 amg 4matic here the system defaults to a 33 67 percent front to rear torque split although it can send a maximum of 70 percent to either end it adds 154 pounds

[memorandam of emsc4 of 2013 pdf pdf live hubitat](#) - Aug 07 2023

web memorandam of emsc4 of 2013 pdf adopting the beat of expression an mental symphony within memorandam of emsc4 of 2013 pdf in a global taken by screens and the ceaseless chatter of instantaneous communication the melodic splendor and mental

memorandam of emsc4 of 2013 copy stage gapinc - May 04 2023

web memorandam of emsc4 of 2013 1 memorandam of emsc4 of 2013 interior environment and related agencies appropriations for 2013 twenty ninth report of session 2012 13 thirty ninth report of session 2012 13 access 2013 for dummies budget of the united states government indonesia globalisation migration and health

la bible du triathlon 3e a c dition pdf staging friends library - Jun 01 2022

web dec 3 2022 la bible du triathlon 3e a c dition 1 18 downloaded from staging friends library org on december 3 2022 by guest la bible du triathlon 3e a c dition as

[la bible du triathlon 3e a c dition rchat technosolutions](#) - Oct 25 2021

web comprehending as without difficulty as contract even more than extra will manage to pay for each success next to the

notice as capably as insight of this la bible du triathlon 3e

la bible du triathlon 3e a c dition jo sprague book - Jul 02 2022

web for each success next to the publication as with ease as acuteness of this la bible du triathlon 3e a c dition can be taken as well as picked to act mining the social web

la bible du triathlon 3e a c dition triathlon taren gesell pdf - Mar 10 2023

web insight of this la bible du triathlon 3e a c dition can be taken as with ease as picked to act the power meter handbook joe friel 2012 09 01 in the power meter handbook

la bible du triathlon 3e édition friel joe 9782378151348 - Apr 11 2023

web jan 22 2020 la bible du triathlon 3e édition friel joe on amazon com free shipping on qualifying offers la bible du triathlon 3e édition

la bible du triathlon 3e a c dition pdf copy - Apr 30 2022

web la bible du triathlon 3e a c dition pdf if you ally need such a referred la bible du triathlon 3e a c dition pdf ebook that will find the money for you worth acquire the

télécharger pdf la bible du triathlon 3e édition joe gratuit - Aug 15 2023

web la bible du triathlon est le meilleur guide d entraînement pour athlètes débutants et confirmés joe friel coach reconnu de cette discipline a aidé avec son programme des milliers de triathlètes ce guide très détaillé vous donne les clés pour planifier votre

la bible du triathlon 3e édition amazon com au - Jan 08 2023

web la bible du triathlon 3e édition friel joe amazon com au books skip to main content com au delivering to sydney 1171 sign in to update books select the

la bible du triathlon 3e a c dition copy uniport edu - Aug 03 2022

web apr 4 2023 la bible du triathlon 3e a c dition 1 8 downloaded from uniport edu ng on april 4 2023 by guest la bible du triathlon 3e a c dition this is likewise one of the

la bible du triathlon le guide d entraînement des triathlètes - Nov 06 2022

web may 19 2021 la bible du triathlon est le meilleur guide d entraînement pour athlètes débutants et confirmés joe friel coach reconnu de cette discipline a aidé lire la

la bible du triathlon 3e a c dition pdf pdf voto uneal edu - Dec 27 2021

web this extraordinary book aptly titled la bible du triathlon 3e a c dition pdf written by a highly acclaimed author immerses readers in a captivating exploration of the significance

la bible du triathlon 3e a c dition full pdf jupyterhub bigelow - Feb 26 2022

web right here we have countless ebook la bible du triathlon 3e a c dition and collections to check out we additionally pay for variant types and after that type of the books to

la bible du triathlon 3e a c dition pdf cpcontacts pocketot - Mar 30 2022

web la bible du triathlon 3e a c dition pdf is available in our digital library an online access to it is set as public so you can download it instantly our digital library saves in multiple

la bible du triathlon 3e édition by joe friel goodreads - Jun 13 2023

web jan 22 2020 la bible du triathlon 3e édition joe friel 0 00 0 ratings0 reviews la bible du triathlon est le meilleur guide d entraînement pour athlètes débutants et confirmés

download solutions la bible du triathlon 3e a c dition - Sep 04 2022

web la bible du triathlon 3e a c dition nbs special publication may 16 2020 striving with grace mar 14 2020 the question of whether or not our decisions and efforts make a

la bible du triathlon 3e a c dition pdf copy gestudy byu edu - Nov 25 2021

web la bible du triathlon 3e a c dition pdf eventually you will agreed discover a other experience and ability by spending more cash nevertheless when get you take that you

la bible du triathlon 3e édition friel joe amazon fr - Jul 14 2023

web la bible du triathlon 3e édition broché livre grand format 22 janvier 2020 la bible du triathlon est le meilleur guide d entraînement pour athlètes débutants et confirmés

amazon fr la bible du triathlon friel joe livres - Dec 07 2022

web il y a une édition plus récente de cet article la bible du triathlon 27 90 58 en stock depuis presque 20 ans les triathlètes cherchent dans la bible du triathlon de joe friel

la bible du triathlon 3e a c dition pdf uniport edu - Oct 05 2022

web mar 4 2023 la bible du triathlon 3e a c dition 1 18 downloaded from uniport edu ng on march 4 2023 by guest la bible du triathlon 3e a c dition this is likewise one of the

[la bible du triathlon 3e a c dition pdf pdf](#) - Jan 28 2022

web this sixth edition has an important new chapter blister prevention a new paradigm it contains new information about blister formation and introduces the concept of shear

[la bible du triathlon 3e édition friel joe 9782378151348](#) - Feb 09 2023

web abebooks com la bible du triathlon 3e édition 9782378151348 by friel joe and a great selection of similar new used and collectible books available now at great prices

la bible du triathlon 3e édition paperback 22 january 2020 - May 12 2023

web amazon in buy la bible du triathlon 3e édition book online at best prices in india on amazon in read la bible du triathlon 3e édition book reviews author details and

la bible du triathlon le guide d'entraînement des triathlètes - Sep 23 2021

web depuis presque 20 ans les triathlètes cherchent dans la bible du triathlon de joe friel comment améliorer leurs résultats dans ce livre l'auteur nous révèle les dernières

solutions for microeconomics 8th edition - May 12 2023

web microeconomics 8th edition pindyck solution ch10 cnclan de june 8th 2018 read and download microeconomics 8th edition pindyck solution ch10 free ebooks in

market power monopoly and monopsony kimoon - Sep 16 2023

web microeconomics 8th edition pindyck solutions manual full download testbanklive com download microeconomics 8th edition pindyck solutions

microeconomics 8th edition pindyck solutions ch10 - Jan 08 2023

web kindly say the microeconomics 8th edition pindyck solutions ch10 is universally compatible with any devices to read principles of macroeconomics for ap courses 2e

microeconomics 8th edition pindyck solutions ch10 - Jul 02 2022

web microeconomics 8th edition pindyck solutions ch10 is available for free download in a number of formats including epub pdf azw mobi and more you can also read the full

microeconomics 8th edition pindyck solutions ch10 - Jun 01 2022

web solution manual for microeconomics 8th edition by pindyck test bank for microeconomics 8th edition pindyck microeconomics pindyck solutions

microeconomics 8th edition pindyck solutions ch10 pdf ws - Feb 26 2022

web online document catalogs microeconomics 8th edition pindyck solutions ch10 microeconomics 8th edition pindyck solutions ch10 in this site is not the similar as a

[microeconomics 8th edition pindyck chp 10 solutions](#) - Nov 06 2022

web microeconomics 8th edition pindyck solutions ch10 reviewing microeconomics 8th edition pindyck solutions ch10 unlocking the spellbinding force of linguistics in a

[microeconomics 8th edition pindyck solutions ch10](#) - Dec 27 2021

microeconomics 8th edition pindyck solutions ch10 - Mar 30 2022

web june 16th 2018 microeconomics 8th edition pindyck solutions ch10 scanning for microeconomics 8th edition pindyck

solutions ch10 do you really need this pdf

microeconomics 8th edition pindyck solutions ch10 d n - Oct 05 2022

web inside their computer microeconomics 8th edition pindyck solutions ch10 is understandable in our digital library an online entry to it is set as public correspondingly

microeconomics 8th edition pindyck solutions ch10 - Jan 28 2022

microeconomics 8th edition solutions and answers - Oct 17 2023

web 164 pindyck rubinfeld microeconomics eighth edition the monopolist s output decision depends not only on marginal cost but also on the demand curve copyright

microeconomics 8th edition pindyck solutions manual studocu - Jul 14 2023

web 126 pindyck rubinfeld microeconomics eighth edition b show what happens to the firm s output choice and profit if the price of the product falls from 60 to 50 the table

microeconomics 8th edition pindyck solutions ch10 - Apr 30 2022

web microeconomics 8th edition pindyck solutions ch10 online june 12th 2018 online document catalogs microeconomics 8th edition pindyck solutions ch10

microeconomics 8th edition pindyck solutions ch10 - Feb 09 2023

web microeconomics 8th edition pindyck chp 10 solutions managerial economics feb 14 2021 now in its third edition this highly readable non technical introduction to the

microeconomics 8th edition pindyck solutions manual - Jun 13 2023

web document directory database online microeconomics 8th edition pindyck solutions ch10 microeconomics 8th edition pindyck solutions ch10 in this site is not the

microeconomics 8th edition pindyck solutions ch10 - Mar 10 2023

web use of experimental tools and with the exciting new microeconomics a modern approach international edition your students will be well prepared applying

ch08 microeconomics pindyck chapter 8 solutions studocu - Apr 11 2023

web study guide for microeconomics oct 16 2021 this study guide offers review and study aids for each chapter ofer jeffrey perloff s microeconomics including a quick guide to

microeconomics 8th edition pindyck 9789332585096 - Sep 04 2022

web dec 23 2022 microeconomics pindyck solutions study guide for microeconomics 8th eighth edition by pindyck robert rubinfeld daniel published by prentice hall 2012

microeconomics 8th edition pindyck solutions ch10 - Nov 25 2021

microeconomics 8th edition pindyck solutions ch10 book - Dec 07 2022

web jan 1 2017 publisher pearson india 8th edition january 1 2017 language english isbn 10 9789332585096 isbn 13 978 9332585096 item weight 2 45

solution manual for microeconomics 8th edition by - Aug 15 2023

web microeconomics 8th edition pindyck solutions manual free download as pdf file pdf text file txt or read online for free solutions manual

microeconomics 8th edition pindyck solutions ch10 download - Aug 03 2022

web ch10 microeconomics 8th edition pindyck solutions ch10 in this site is not the thesame as a solution manual

microeconomics 8th edition pindyck solutions ch10 scanning