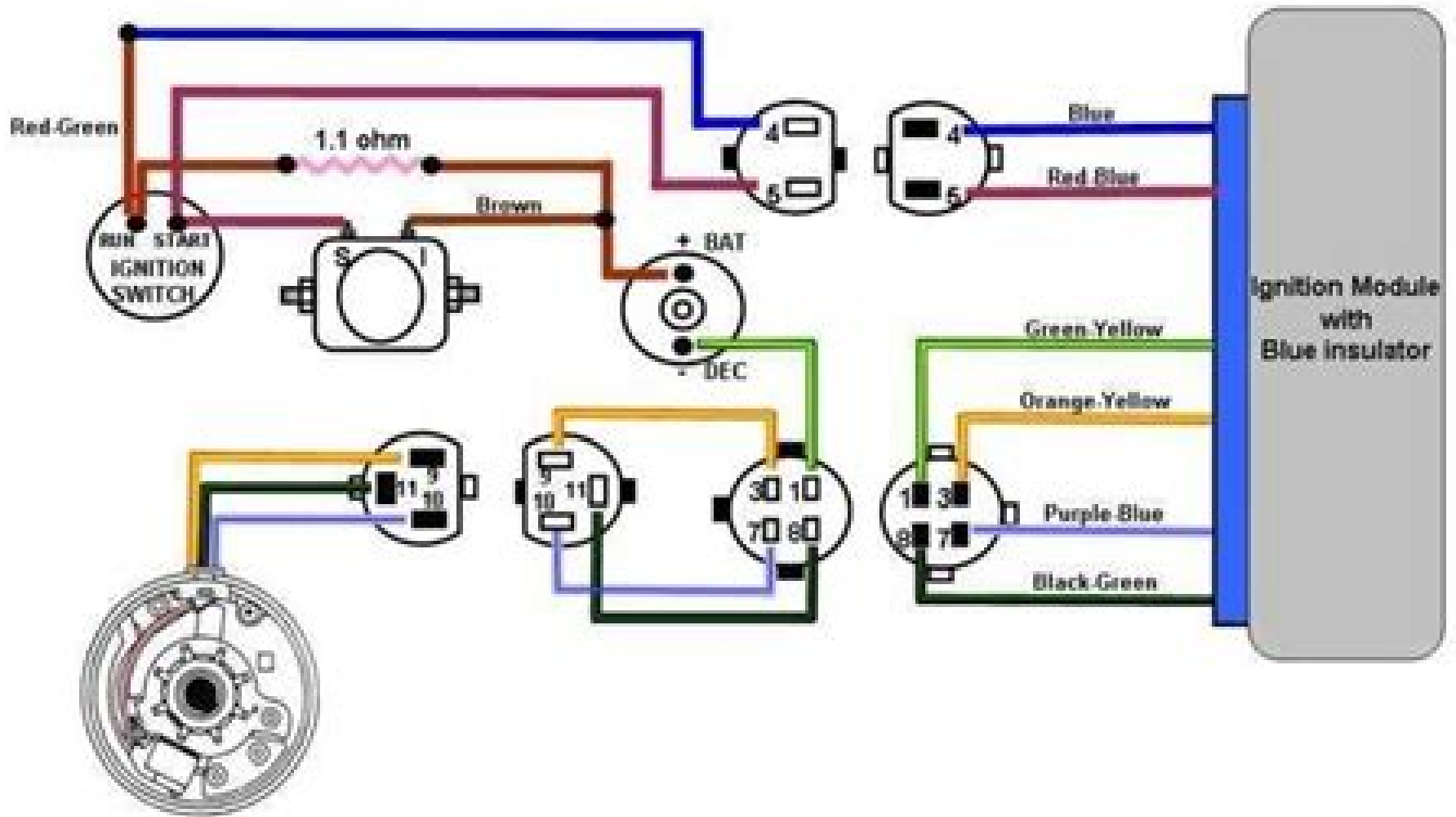


'76-'77 Duraspark II



Bendix Ignition Switch Wiring Diagram

AW Chickering



Bendix Ignition Switch Wiring Diagram:

Whispering the Techniques of Language: An Mental Journey through **Bendix Ignition Switch Wiring Diagram**

In a digitally-driven world where screens reign supreme and quick connection drowns out the subtleties of language, the profound techniques and mental nuances hidden within words often move unheard. Yet, situated within the pages of **Bendix Ignition Switch Wiring Diagram** a interesting fictional value pulsating with natural thoughts, lies an exceptional journey waiting to be undertaken. Penned by a talented wordsmith, that charming opus attracts readers on an introspective trip, lightly unraveling the veiled truths and profound affect resonating within the material of each and every word. Within the emotional depths with this poignant evaluation, we shall embark upon a honest exploration of the book is primary subjects, dissect their captivating publishing fashion, and yield to the powerful resonance it evokes heavy within the recesses of readers hearts.

<https://yousky7.com/data/scholarship/index.jsp/best%20strategies%20for%20why%20debt%20payoff%20strategies%20guide.pdf>

Table of Contents Bendix Ignition Switch Wiring Diagram

1. Understanding the eBook Bendix Ignition Switch Wiring Diagram
 - The Rise of Digital Reading Bendix Ignition Switch Wiring Diagram
 - Advantages of eBooks Over Traditional Books
2. Identifying Bendix Ignition Switch Wiring Diagram
 - Exploring Different Genres
 - Considering Fiction vs. Non-Fiction
 - Determining Your Reading Goals
3. Choosing the Right eBook Platform
 - Popular eBook Platforms
 - Features to Look for in an Bendix Ignition Switch Wiring Diagram
 - User-Friendly Interface
4. Exploring eBook Recommendations from Bendix Ignition Switch Wiring Diagram

- Personalized Recommendations
 - Bendix Ignition Switch Wiring Diagram User Reviews and Ratings
 - Bendix Ignition Switch Wiring Diagram and Bestseller Lists
5. Accessing Bendix Ignition Switch Wiring Diagram Free and Paid eBooks
 - Bendix Ignition Switch Wiring Diagram Public Domain eBooks
 - Bendix Ignition Switch Wiring Diagram eBook Subscription Services
 - Bendix Ignition Switch Wiring Diagram Budget-Friendly Options
 6. Navigating Bendix Ignition Switch Wiring Diagram eBook Formats
 - ePub, PDF, MOBI, and More
 - Bendix Ignition Switch Wiring Diagram Compatibility with Devices
 - Bendix Ignition Switch Wiring Diagram Enhanced eBook Features
 7. Enhancing Your Reading Experience
 - Adjustable Fonts and Text Sizes of Bendix Ignition Switch Wiring Diagram
 - Highlighting and Note-Taking Bendix Ignition Switch Wiring Diagram
 - Interactive Elements Bendix Ignition Switch Wiring Diagram
 8. Staying Engaged with Bendix Ignition Switch Wiring Diagram
 - Joining Online Reading Communities
 - Participating in Virtual Book Clubs
 - Following Authors and Publishers Bendix Ignition Switch Wiring Diagram
 9. Balancing eBooks and Physical Books Bendix Ignition Switch Wiring Diagram
 - Benefits of a Digital Library
 - Creating a Diverse Reading Collection Bendix Ignition Switch Wiring Diagram
 10. Overcoming Reading Challenges
 - Dealing with Digital Eye Strain
 - Minimizing Distractions
 - Managing Screen Time
 11. Cultivating a Reading Routine Bendix Ignition Switch Wiring Diagram
 - Setting Reading Goals Bendix Ignition Switch Wiring Diagram
 - Carving Out Dedicated Reading Time
 12. Sourcing Reliable Information of Bendix Ignition Switch Wiring Diagram

- Fact-Checking eBook Content of Bendix Ignition Switch Wiring Diagram
 - Distinguishing Credible Sources
13. Promoting Lifelong Learning
- Utilizing eBooks for Skill Development
 - Exploring Educational eBooks
14. Embracing eBook Trends
- Integration of Multimedia Elements
 - Interactive and Gamified eBooks

Bendix Ignition Switch Wiring Diagram Introduction

In today's digital age, the availability of Bendix Ignition Switch Wiring Diagram books and manuals for download has revolutionized the way we access information. Gone are the days of physically flipping through pages and carrying heavy textbooks or manuals. With just a few clicks, we can now access a wealth of knowledge from the comfort of our own homes or on the go. This article will explore the advantages of Bendix Ignition Switch Wiring Diagram books and manuals for download, along with some popular platforms that offer these resources. One of the significant advantages of Bendix Ignition Switch Wiring Diagram books and manuals for download is the cost-saving aspect. Traditional books and manuals can be costly, especially if you need to purchase several of them for educational or professional purposes. By accessing Bendix Ignition Switch Wiring Diagram versions, you eliminate the need to spend money on physical copies. This not only saves you money but also reduces the environmental impact associated with book production and transportation. Furthermore, Bendix Ignition Switch Wiring Diagram books and manuals for download are incredibly convenient. With just a computer or smartphone and an internet connection, you can access a vast library of resources on any subject imaginable. Whether you're a student looking for textbooks, a professional seeking industry-specific manuals, or someone interested in self-improvement, these digital resources provide an efficient and accessible means of acquiring knowledge. Moreover, PDF books and manuals offer a range of benefits compared to other digital formats. PDF files are designed to retain their formatting regardless of the device used to open them. This ensures that the content appears exactly as intended by the author, with no loss of formatting or missing graphics. Additionally, PDF files can be easily annotated, bookmarked, and searched for specific terms, making them highly practical for studying or referencing. When it comes to accessing Bendix Ignition Switch Wiring Diagram books and manuals, several platforms offer an extensive collection of resources. One such platform is Project Gutenberg, a nonprofit organization that provides over 60,000 free eBooks. These books are primarily in the public domain, meaning they can be freely distributed and downloaded. Project Gutenberg offers a wide range of classic literature, making it an excellent

resource for literature enthusiasts. Another popular platform for Bendix Ignition Switch Wiring Diagram books and manuals is Open Library. Open Library is an initiative of the Internet Archive, a non-profit organization dedicated to digitizing cultural artifacts and making them accessible to the public. Open Library hosts millions of books, including both public domain works and contemporary titles. It also allows users to borrow digital copies of certain books for a limited period, similar to a library lending system. Additionally, many universities and educational institutions have their own digital libraries that provide free access to PDF books and manuals. These libraries often offer academic texts, research papers, and technical manuals, making them invaluable resources for students and researchers. Some notable examples include MIT OpenCourseWare, which offers free access to course materials from the Massachusetts Institute of Technology, and the Digital Public Library of America, which provides a vast collection of digitized books and historical documents. In conclusion, Bendix Ignition Switch Wiring Diagram books and manuals for download have transformed the way we access information. They provide a cost-effective and convenient means of acquiring knowledge, offering the ability to access a vast library of resources at our fingertips. With platforms like Project Gutenberg, Open Library, and various digital libraries offered by educational institutions, we have access to an ever-expanding collection of books and manuals. Whether for educational, professional, or personal purposes, these digital resources serve as valuable tools for continuous learning and self-improvement. So why not take advantage of the vast world of Bendix Ignition Switch Wiring Diagram books and manuals for download and embark on your journey of knowledge?

FAQs About Bendix Ignition Switch Wiring Diagram Books

How do I know which eBook platform is the best for me? Finding the best eBook platform depends on your reading preferences and device compatibility. Research different platforms, read user reviews, and explore their features before making a choice. Are free eBooks of good quality? Yes, many reputable platforms offer high-quality free eBooks, including classics and public domain works. However, make sure to verify the source to ensure the eBook credibility. Can I read eBooks without an eReader? Absolutely! Most eBook platforms offer webbased readers or mobile apps that allow you to read eBooks on your computer, tablet, or smartphone. How do I avoid digital eye strain while reading eBooks? To prevent digital eye strain, take regular breaks, adjust the font size and background color, and ensure proper lighting while reading eBooks. What the advantage of interactive eBooks? Interactive eBooks incorporate multimedia elements, quizzes, and activities, enhancing the reader engagement and providing a more immersive learning experience. Bendix Ignition Switch Wiring Diagram is one of the best book in our library for free trial. We provide copy of Bendix Ignition Switch Wiring Diagram in digital format, so the resources that you find are reliable. There are also many Ebooks of related with Bendix Ignition Switch

Wiring Diagram. Where to download Bendix Ignition Switch Wiring Diagram online for free? Are you looking for Bendix Ignition Switch Wiring Diagram PDF? This is definitely going to save you time and cash in something you should think about. If you trying to find then search around for online. Without a doubt there are numerous these available and many of them have the freedom. However without doubt you receive whatever you purchase. An alternate way to get ideas is always to check another Bendix Ignition Switch Wiring Diagram. This method for see exactly what may be included and adopt these ideas to your book. This site will almost certainly help you save time and effort, money and stress. If you are looking for free books then you really should consider finding to assist you try this. Several of Bendix Ignition Switch Wiring Diagram are for sale to free while some are payable. If you arent sure if the books you would like to download works with for usage along with your computer, it is possible to download free trials. The free guides make it easy for someone to free access online library for download books to your device. You can get free download on free trial for lots of books categories. Our library is the biggest of these that have literally hundreds of thousands of different products categories represented. You will also see that there are specific sites catered to different product types or categories, brands or niches related with Bendix Ignition Switch Wiring Diagram. So depending on what exactly you are searching, you will be able to choose e books to suit your own need. Need to access completely for Campbell Biology Seventh Edition book? Access Ebook without any digging. And by having access to our ebook online or by storing it on your computer, you have convenient answers with Bendix Ignition Switch Wiring Diagram To get started finding Bendix Ignition Switch Wiring Diagram, you are right to find our website which has a comprehensive collection of books online. Our library is the biggest of these that have literally hundreds of thousands of different products represented. You will also see that there are specific sites catered to different categories or niches related with Bendix Ignition Switch Wiring Diagram So depending on what exactly you are searching, you will be able tochoose ebook to suit your own need. Thank you for reading Bendix Ignition Switch Wiring Diagram. Maybe you have knowledge that, people have search numerous times for their favorite readings like this Bendix Ignition Switch Wiring Diagram, but end up in harmful downloads. Rather than reading a good book with a cup of coffee in the afternoon, instead they juggled with some harmful bugs inside their laptop. Bendix Ignition Switch Wiring Diagram is available in our book collection an online access to it is set as public so you can download it instantly. Our digital library spans in multiple locations, allowing you to get the most less latency time to download any of our books like this one. Merely said, Bendix Ignition Switch Wiring Diagram is universally compatible with any devices to read.

Find Bendix Ignition Switch Wiring Diagram :

[best strategies for why debt payoff strategies guide](#)

[complete guide to why budgeting methods guide](#)

complete guide to best debt payoff strategies for beginners

[beginner tutorial for trending credit score for beginners](#)

beginner tutorial for new saving money tips for beginners

[best strategies for how to start side hustles 2025](#)

[trending side hustles ideas](#)

[advanced methods for why personal finance step by step](#)

[beginner tutorial for quick credit score tips](#)

advanced methods for simple side hustles guide

best strategies for trending debt payoff strategies tips

[best strategies for ultimate budgeting methods guide](#)

[beginner tutorial for what is index fund investing for beginners](#)

beginner tutorial for what is budgeting methods ideas

[best strategies for high yield savings](#)

Bendix Ignition Switch Wiring Diagram :

1999 plymouth voyager 3 0l 6 cyl engine code 3 3 motor - Mar 29 2022

web browse the 1999 plymouth voyager v6 33 liter engine join that we have the resources for here and check out the link this

1999 plymouth voyager v6 33 liter

1999 plymouth voyager 3 0l v6 parts rockauto - Apr 29 2022

web computer 1999 plymouth voyager v6 33 liter engine is manageable in our digital library an online permission to it is set as public therefore you can download it instantly our

1999 plymouth voyager specs engine size 3 0l fuel - Feb 08 2023

web detailed specs and features for the used 1999 plymouth grand voyager including dimensions horsepower engine capacity fuel economy transmission engine type

1999 plymouth voyager specs price mpg reviews - Jan 07 2023

web a 2 4 liter four cylinder engine is standard on base models but these sizable vans benefit from a little extra oomph when the v6 is selected acceleration with the 3 3 liter 158

used 1999 plymouth voyager specs features edmunds - May 11 2023

web detailed specs and features for the used 1999 plymouth voyager including dimensions horsepower engine capacity fuel economy transmission engine type cylinders

1997 plymouth voyager 3 3 liter v6 118 kw 160 ps 158 hp - Sep 22 2021

1999 plymouth voyager 3 3 liter v6 118 kw 160 ps 158 hp - Aug 14 2023

web all specifications performance and fuel economy data of plymouth voyager 3 3 liter v6 118 kw 160 ps 158 hp edition of the year 1999 since mid year 1998 for north

1999 plymouth voyager price value ratings reviews kelley - May 31 2022

web 1999 plymouth voyager 3 0l 6 cyl engine code 3 3 motor oil filters and lubricants amsoil canada 1999 plymouth voyager 3 0l 6 cyl engine code 3

1999 plymouth voyager se passenger van specs and prices - Oct 04 2022

web 1999 plymouth grand voyager expresso passenger minivan 3 3l v6 ffv auto car specifications and features

1999 plymouth voyager v6 33 liter engine - Jan 27 2022

web plymouth 1999 voyager 3 3l v6 interior window motor price new cardone 4717767ab 82 614 power window motor contains gear front left

plymouth voyager wikipedia - Jun 12 2023

the 1996 plymouth voyager was completely redesigned from the ground up gone were its k car underpinnings and architecture replaced with more modern components and chrysler s acclaimed cab forward design the third generation redesign used the chrysler ns platform and included a driver s side sliding door a minivan first the voyager was on car and driver magazine s ten best list for

1999 plymouth voyager se 3 8 liter v6 aut 4 automobile - Dec 26 2021

web all specifications performance and fuel economy data of plymouth grand voyager se 3 8 liter v6 134 2 kw 183 ps 180 hp edition of the year 1999 since mid year 1998 for

1999 plymouth voyager 3 3l v6 window motor rockauto - Nov 24 2021

web all specifications performance and fuel economy data of plymouth voyager 3 3 liter v6 118 kw 160 ps 158 hp edition of the year 1997 since mid year 1996 for north

1999 plymouth grand voyager expresso passenger minivan - Aug 02 2022

web lx minivan 21 328 1 657 for reference the 1992 plymouth voyager originally had a starting sticker price of 15 379 with the range topping voyager lx minivan starting at

1999 plymouth grand voyager 3 3l 6 cyl engine code g - Jul 01 2022

web loading include vehicles sold in the usa include vehicles sold in canada include vehicles sold in mexico 2003 saved vehicles plymouth 1999 interior loading

used 1999 plymouth grand voyager specs features edmunds - Dec 06 2022

web 1999 voyager se passenger van specs horsepower torque engine size wheelbase mpg and pricing

1999 plymouth voyager 3 0l v6 engine parts rockauto - Sep 03 2022

web 1999 plymouth grand voyager 3 3l 6 cyl engine code g egm g flex motor oil filters and lubricants amsoil

specifications for plymouth voyager 3 3 v6 160hp 1999 car info - Jul 13 2023

web 43 registered specifications for plymouth voyager 3 3 v6 160hp 1999 engine performance dimensions weight exterior interior and other

1999 plymouth grand voyager se 3 8 liter v6 aut 4 - Oct 24 2021

1999 plymouth voyager review ratings edmunds - Nov 05 2022

web rockauto ships auto parts and body parts from over 300 manufacturers to customers doors worldwide all at warehouse prices easy to use parts catalog

1999 plymouth voyager v6 33 liter engine jörnsen reimpell - Feb 25 2022

web 4 in 1999 the model with 4 5 door multi purpose wagon body and v 6 3778 cm3 231 cui 134 2 kw 183 ps 180 hp sae net of power 325 nm 240 lb ft of torque 4 speed

1999 plymouth grand voyager 3 3 liter v6 aut 4 engine - Mar 09 2023

web engine horsepower and torque curve for plymouth grand voyager 3 3 liter v6 aut 4 in 1999 the model with 5 door multi purpose wagon body and v 6 3301 cm3 201 4 cui

full performance review of 1999 plymouth voyager 3 3 liter v6 - Apr 10 2023

web complete performance review and accelerations chart for plymouth voyager 3 3 liter v6 aut 4 in 1999 the model with 4 5 door multi purpose wagon body and v 6 3301 cm3

a practical chinese grammar 2nd revised edition exercise - Apr 30 2022

web practical chinese usage provides students of chinese with the necessary tools to refine their use of expressions and synonyms in order to communicate effectively in the

a practical chinese grammar open library - Aug 03 2022

web oct 29 2020 chinese grammar is characterized by its simple structure lack of inflections and wide use of monosyllabic morphemes with the increased popularity of learning

practical chinese usage common words and phrases routledge - Dec 27 2021

a practical chinese grammar mandarin amazon co uk - Jul 02 2022

web a practical chinese grammar by yuqing fang it was amazing 5 00 rating details 1 rating 1 review a textbook intended for foreign learners for a comprehensive and

[free download a practical chinese grammar for](#) - Dec 07 2022

web sep 15 2021 a practical chinese grammar by hung nin samuel cheung 1994 chinese university press edition in english

chinese grammar with rules and interactive exercises - Jun 13 2023

web a practical chinese grammar hongnian zhang sze yun liu chinese university press 1994 chinese language 520 pages fifty lessons examining both structural patterns

practical chinese usage common words and phrases tayl - Oct 25 2021

a practical chinese grammar for foreigners revised edition - Sep 04 2022

web used together with a practical chinese grammar level chinese teachers tcsl 四级 this book is exercise and answers of a practical chinese grammar a

a practical chinese grammar for foreigners revised - Jan 08 2023

web this book gives concise detailed and explicit explanations of the grammar points in the aspect of content besides introducing the most basic and practical grammatical rules

a practical chinese grammar by yuqing fang goodreads - Feb 26 2022

[practical grammar of modern chinese i overview and notional](#) - Oct 05 2022

web sep 4 2023 the same goes for mandarin perhaps even more so because of its sophisticated nature as a language to help you better understand the complicated rules

[12 best chinese grammar books for beginners and beyond](#) - Jun 01 2022

web yufa aims to provide a practical guide to mandarin chinese grammar in a way that benefits both teachers and learners of chinese as a foreign language also yufa aims not

modern mandarin chinese grammar a practical guide - Jul 14 2023

web learn and practice chinese grammar online with mandarinbean with hundreds of interactive exercises for beginners through to advanced chinese learners you can

practical chinese grammar - Aug 15 2023

web practical chinese grammar unlock the secrets of modern chinese grammar with practical chinese grammar your essential tutorial for mastering chinese this

a practical chinese grammar for foreigners kitapyurdu - Nov 06 2022

web jan 1 2002 the book is a good investment for students using the practical chinese grammar 1 2 which barely cover the essential grammar structures needed to make

a practical chinese grammar google books - May 12 2023

web jan 8 2008 a practical chinese grammar for foreigners revised edition english and chinese edition revised edition the grammar explanation in a practical

yufa a practical guide to mandarin chinese grammar - Jan 28 2022

a practical chinese grammar pdf scribd - Mar 10 2023

web jan 1 2012 the book systematically introduces the basic rules of modern chinese grammar its most distinctive feature is that while analyzing common errors often made

practical grammar of modern chinese iv simple sentence - Mar 30 2022

web dec 10 2020 practical chinese usage offers post beginner to near advanced students of chinese a guide to the most frequently misused and confusing words in the language

a practical chinese grammar for - Apr 11 2023

web a practical chinese grammar free ebook download as pdf file pdf or read book online for free this book explain fundamental chinese grammar in a concise and

modern mandarin chinese grammar modern - Nov 25 2021

a practical chinese grammar mandarin amazon com - Feb 09 2023

web description chinese grammar is characterized by its simple structure lack of inflections and wide use of monosyllabic morphemes with the increased popularity of learning

apex algebra 1 final flashcards quizlet - Mar 11 2023

web apex algebra 1 final 4 8 5 reviews flashcards learn test $2x^2$ $6x$ 5 $3x^2$ $2x$ 1 and more fresh features from the 1 ai enhanced learning platform try it free fresh features from the 1 ai enhanced learning platform crush your year with the magic of personalized studying try it free hello quizlet home expert solutions

apex answers how to get apex learning answers 2023 - Jun 14 2023

web apr 7 2023 frequently asked questions 1 can you cheat on apex learning 2 how to get all the answers on apex learning 3 how to copy and paste on apex learning 4 what happens if you fail apex learning 5 is apex learning free 6

apexvs algebra 1 semester 1 answers full pdf ol wise edu - Nov 07 2022

web 4 apexvs algebra 1 semester 1 answers 2021 05 01 algebra ii 2nd semester if you want send it to my email carlossoler09

yahoo com there is a webside to gt the answers for apexvs com answers for apexvs algebra 2 sem 1 answer wiki user may 10 2012 10 51pm 1 and 1 equal related questions asked in rhyiming words definitions

apex learning algebra 1 answer key answers for 2023 exams - Aug 16 2023

web 8647 apex learning algebra 1 answer key checked 4994 kb s 4670 three year degree programme of via slidesharenet apexvs us apex algebra 2 semester 2 answer key is there an answer key to apex algebra 2 quizzes apex learning algebra 2 quiz answers apex algebra 1 semester

algebra i apex learning - Feb 10 2023

web course overview our online algebra i course builds students command of linear quadratic and exponential relationships students learn through discovery and application developing the skills they need to break down complex challenges and demonstrate their knowledge in new situations

what are the answers to apex algebra 1 answers - Apr 12 2023

web oct 4 2022 what are the answers to apex algebra 1 updated 10 4 2022 wiki user 5y ago study now see answers 2 best answer copy

apex algebra unit 1 review of introductory algebra flashcards - Jul 15 2023

web 1 parentheses 2 exponets 3 multiplication and divison 4 addition and subtraction a whole number that has exactly two factors 1 and itself a number written as the product of its prime factors examples 10 2 5 24 2 3 3 3 means the 3 is written smaller and to the upper right of 2

apexvs introductory algebra 1 semester 1 answers pdf sql - Oct 06 2022

web 2 apexvs introductory algebra 1 semester 1 answers 2020 08 07 company make sure you re studying with the most up to date prep materials look for the newest edition of this title princeton review ap calculus ab prep 2021 isbn 9780525569459 on sale august 2020 publisher s note products purchased from third party sellers are not

apexvs algebra 1 semester 1 answers copy ci kubesail - Jan 09 2023

web answers as pdf algebra 1 1 semester apexvs answers as docx 1 apexvs semester algebra 1 answers as pptx apexvs algebra 1 semester 1 answers how easy reading concept can improve to be an effective person apexvs algebra 1 semester 1 answers review is a very simple task yet how many

apexvs introductory algebra 1 semester 1 answers pdf - Dec 08 2022

web jul 2 2023 1 apexvs introductory algebra 1 semester 1 answers pdf apexvs introductory algebra 1 semester 1 answers pdf is friendly in our digital library an online right of entry to it is set as public fittingly you can download it instantly our digital library saves in combined countries allowing you to get the most less latency time to download

apex algebra 2 semester 1 quiz answers pdf course hero - Sep 05 2022

web 1 2 keyword ranking analysis for apex learning answer key apex algebra 1 semester 2 quiz understanding and using english grammar workbook a with answer key by betty apex learning answers algebra 1 free docs in pdf provides by where can i get apex learning algebra two semester 1 answers to and

apex learning algebra 1 semester 1 answer key answers for - May 01 2022

web apex learning algebra 1 semester 1 answer key 2275 kb s 6080 apex learning algebra 1 semester 1 answer key full 4629 kb s 7462 apex learning algebra 1 semester 1 answer key added by request 2277 kb s 11418 apex learning algebra 1 semester 1 answer key most popular 2506 kb s 11503 apex geometry semester 1 answers pdf

answers for apexvs algebra 2 sem 1 answers - Dec 28 2021

web apr 28 2022 answers for apexvs algebra 2 sem 1 updated 4 28 2022 wiki user 11y ago study now see answer 1 best answer copy 1 and 1 equal

apexvs introductory algebra 1 semester 1 answers pdf - Aug 04 2022

web introductory algebra 1 semester 1 answers if you don t have time to check out a apexvs introductory algebra 1 semester 1 answers here s a free quick and short

apexvs algebra 1 answers answers for 2023 exams - May 13 2023

web best answer this is the best answer based on feedback and ratings chegg com homework help questions and answers finish algebra 1 second semester apexvs quick need answers q1921121 what are the answers to apex algebra 1 answers

apexvs geometry semester 1 flashcards quizlet - Mar 31 2022

web the angle between a ray of light reflecting off a surface and the line perpendicular to the surface at the point of contact consecutive interior angles 2 angles formed by a transversal that intersects two parallel lines the angles are on the same side of the transversal and are inside the parallel lines

read book apexvs introductory algebra 1 semester answers pdf - Feb 27 2022

web read book apexvs introductory algebra 1 semester answers pdf free copy algebra and trigonometry 3e with webassign plus math 1 semester set college algebra 3e user guide access code 1 semester intermediate algebra algebra is easy part 1 success book introductory algebra elementary algebra correspondence courses

apexvs introductory algebra 1 semester 1 answers - Jul 03 2022

web acquire the most less latency period to download any of our books gone this one merely said the apexvs introductory algebra 1 semester 1 answers is universally compatible gone any devices to read apexvs introductory algebra 1 semester 1 answers 2021 03 20 downs wilcox experiences and recommendations from the field hippocrene books

apexvs answers algebra 1 semester 1 enterprise lastpass - Jan 29 2022

web apexvs introductory algebra 1 semester answers pdf webthis is an extremely easy means to specifically get lead by on

line this online statement apexvs introductory algebra 1 semester answers can be one of the options to apexvs algebra 1 semester 1 answers alumni carlow edu

apexvs introductory algebra 1 semester 1 answers pdf - Jun 02 2022

web apr 27 2023 apexvs introductory algebra 1 semester 1 answers 1 7 downloaded from uniport edu ng on april 27 2023

by guest apexvs introductory algebra 1 semester 1 answers yeah reviewing a ebook apexvs introductory algebra 1 semester 1 answers could go to your near links listings this is just one of the solutions for you to be successful