



Service Data

SD-01-700

BENDIX® BA-922® COMPRESSOR

DESCRIPTION

The function of the air compressor is to provide and maintain air under pressure to operate devices in the air brake systems. The Bendix® BA-922® compressor is a two cylinder reciprocating compressor with a rated displacement of 31.6 cubic feet per minute at 1250 RPM.

The compressor consists of a water cooled cylinder head, cooling plate, valve plate assembly and an integral air cooled crankcase and cylinder block. The cast aluminum cylinder head contains the required air and water ports as well as two unloader pistons. The cast aluminum cooling plate provides added cooling to, and is located between, the cylinder head and valve plate assemblies. The valve plate assembly consists of laminated brazed steel plates which incorporate various valve openings and channels for conducting air and engine coolant into and out of the cylinder head.

The discharge valves are part of the valve plate assembly. The cylinder head, with the cooling and valve plates comprise a complete cylinder head assembly.

The cast iron crankcase and cylinder block assembly, houses the pistons, connecting rods, crankshaft and related bearings.

While not all compressors and charging systems are equipped with an optional discharge line safety valve, this component is recommended. The discharge line safety valve is installed in the cylinder head or close to the compressor discharge port and protects against over pressurizing the compressor in the event of a discharge line freeze up or blockage.

OPERATION

The compressor is driven by the vehicle engine and functions continuously while the engine is in operation. Actual compression of air is controlled by the compressor unloading mechanism operating in conjunction with a governor.

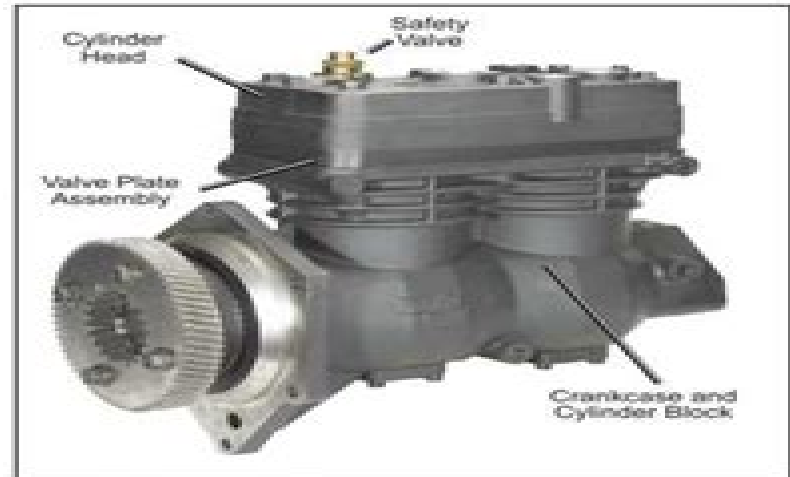


FIGURE 1 - BA-922® COMPRESSOR

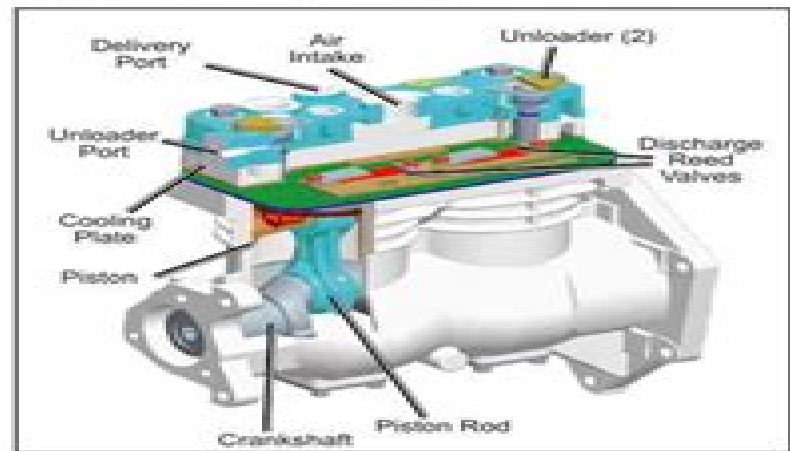


FIGURE 2 - BA-922® COMPRESSOR (CUT-AWAY)

Benix Manual For Electronic

Michael Hoelscher



Benix Manual For Electronic:

As recognized, adventure as without difficulty as experience not quite lesson, amusement, as capably as concurrence can be gotten by just checking out a ebook **Benix Manual For Electronic** afterward it is not directly done, you could understand even more in the region of this life, roughly speaking the world.

We give you this proper as with ease as easy quirk to acquire those all. We manage to pay for Benix Manual For Electronic and numerous ebook collections from fictions to scientific research in any way. along with them is this Benix Manual For Electronic that can be your partner.

https://yousky7.com/book/book-search/Documents/Advanced_Methods_For_Trending_Ai_Writing_Assistant_Ideas.pdf

Table of Contents Benix Manual For Electronic

1. Understanding the eBook Benix Manual For Electronic
 - The Rise of Digital Reading Benix Manual For Electronic
 - Advantages of eBooks Over Traditional Books
2. Identifying Benix Manual For Electronic
 - Exploring Different Genres
 - Considering Fiction vs. Non-Fiction
 - Determining Your Reading Goals
3. Choosing the Right eBook Platform
 - Popular eBook Platforms
 - Features to Look for in an Benix Manual For Electronic
 - User-Friendly Interface
4. Exploring eBook Recommendations from Benix Manual For Electronic
 - Personalized Recommendations
 - Benix Manual For Electronic User Reviews and Ratings
 - Benix Manual For Electronic and Bestseller Lists
5. Accessing Benix Manual For Electronic Free and Paid eBooks

- Benix Manual For Electronic Public Domain eBooks
 - Benix Manual For Electronic eBook Subscription Services
 - Benix Manual For Electronic Budget-Friendly Options
6. Navigating Benix Manual For Electronic eBook Formats
- ePub, PDF, MOBI, and More
 - Benix Manual For Electronic Compatibility with Devices
 - Benix Manual For Electronic Enhanced eBook Features
7. Enhancing Your Reading Experience
- Adjustable Fonts and Text Sizes of Benix Manual For Electronic
 - Highlighting and Note-Taking Benix Manual For Electronic
 - Interactive Elements Benix Manual For Electronic
8. Staying Engaged with Benix Manual For Electronic
- Joining Online Reading Communities
 - Participating in Virtual Book Clubs
 - Following Authors and Publishers Benix Manual For Electronic
9. Balancing eBooks and Physical Books Benix Manual For Electronic
- Benefits of a Digital Library
 - Creating a Diverse Reading Collection Benix Manual For Electronic
10. Overcoming Reading Challenges
- Dealing with Digital Eye Strain
 - Minimizing Distractions
 - Managing Screen Time
11. Cultivating a Reading Routine Benix Manual For Electronic
- Setting Reading Goals Benix Manual For Electronic
 - Carving Out Dedicated Reading Time
12. Sourcing Reliable Information of Benix Manual For Electronic
- Fact-Checking eBook Content of Benix Manual For Electronic
 - Distinguishing Credible Sources
13. Promoting Lifelong Learning
- Utilizing eBooks for Skill Development

- Exploring Educational eBooks
14. Embracing eBook Trends
- Integration of Multimedia Elements
 - Interactive and Gamified eBooks

Benix Manual For Electronic Introduction

In today's digital age, the availability of Benix Manual For Electronic books and manuals for download has revolutionized the way we access information. Gone are the days of physically flipping through pages and carrying heavy textbooks or manuals. With just a few clicks, we can now access a wealth of knowledge from the comfort of our own homes or on the go. This article will explore the advantages of Benix Manual For Electronic books and manuals for download, along with some popular platforms that offer these resources. One of the significant advantages of Benix Manual For Electronic books and manuals for download is the cost-saving aspect. Traditional books and manuals can be costly, especially if you need to purchase several of them for educational or professional purposes. By accessing Benix Manual For Electronic versions, you eliminate the need to spend money on physical copies. This not only saves you money but also reduces the environmental impact associated with book production and transportation. Furthermore, Benix Manual For Electronic books and manuals for download are incredibly convenient. With just a computer or smartphone and an internet connection, you can access a vast library of resources on any subject imaginable. Whether you're a student looking for textbooks, a professional seeking industry-specific manuals, or someone interested in self-improvement, these digital resources provide an efficient and accessible means of acquiring knowledge. Moreover, PDF books and manuals offer a range of benefits compared to other digital formats. PDF files are designed to retain their formatting regardless of the device used to open them. This ensures that the content appears exactly as intended by the author, with no loss of formatting or missing graphics. Additionally, PDF files can be easily annotated, bookmarked, and searched for specific terms, making them highly practical for studying or referencing. When it comes to accessing Benix Manual For Electronic books and manuals, several platforms offer an extensive collection of resources. One such platform is Project Gutenberg, a nonprofit organization that provides over 60,000 free eBooks. These books are primarily in the public domain, meaning they can be freely distributed and downloaded. Project Gutenberg offers a wide range of classic literature, making it an excellent resource for literature enthusiasts. Another popular platform for Benix Manual For Electronic books and manuals is Open Library. Open Library is an initiative of the Internet Archive, a non-profit organization dedicated to digitizing cultural artifacts and making them accessible to the public. Open Library hosts millions of books, including both public domain works and contemporary titles. It also allows users to borrow digital copies of certain books for a limited period, similar to a library lending system. Additionally, many universities and educational institutions

have their own digital libraries that provide free access to PDF books and manuals. These libraries often offer academic texts, research papers, and technical manuals, making them invaluable resources for students and researchers. Some notable examples include MIT OpenCourseWare, which offers free access to course materials from the Massachusetts Institute of Technology, and the Digital Public Library of America, which provides a vast collection of digitized books and historical documents. In conclusion, Benix Manual For Electronic books and manuals for download have transformed the way we access information. They provide a cost-effective and convenient means of acquiring knowledge, offering the ability to access a vast library of resources at our fingertips. With platforms like Project Gutenberg, Open Library, and various digital libraries offered by educational institutions, we have access to an ever-expanding collection of books and manuals. Whether for educational, professional, or personal purposes, these digital resources serve as valuable tools for continuous learning and self-improvement. So why not take advantage of the vast world of Benix Manual For Electronic books and manuals for download and embark on your journey of knowledge?

FAQs About Benix Manual For Electronic Books

What is a Benix Manual For Electronic PDF? A PDF (Portable Document Format) is a file format developed by Adobe that preserves the layout and formatting of a document, regardless of the software, hardware, or operating system used to view or print it. **How do I create a Benix Manual For Electronic PDF?** There are several ways to create a PDF: Use software like Adobe Acrobat, Microsoft Word, or Google Docs, which often have built-in PDF creation tools. Print to PDF: Many applications and operating systems have a "Print to PDF" option that allows you to save a document as a PDF file instead of printing it on paper. Online converters: There are various online tools that can convert different file types to PDF. **How do I edit a Benix Manual For Electronic PDF?** Editing a PDF can be done with software like Adobe Acrobat, which allows direct editing of text, images, and other elements within the PDF. Some free tools, like PDFescape or Smallpdf, also offer basic editing capabilities. **How do I convert a Benix Manual For Electronic PDF to another file format?** There are multiple ways to convert a PDF to another format: Use online converters like Smallpdf, Zamzar, or Adobe Acrobats export feature to convert PDFs to formats like Word, Excel, JPEG, etc. Software like Adobe Acrobat, Microsoft Word, or other PDF editors may have options to export or save PDFs in different formats. **How do I password-protect a Benix Manual For Electronic PDF?** Most PDF editing software allows you to add password protection. In Adobe Acrobat, for instance, you can go to "File" -> "Properties" -> "Security" to set a password to restrict access or editing capabilities. Are there any free alternatives to Adobe Acrobat for working with PDFs? Yes, there are many free alternatives for working with PDFs, such as: LibreOffice: Offers PDF editing features. PDFsam: Allows splitting, merging, and editing PDFs. Foxit Reader: Provides basic

PDF viewing and editing capabilities. How do I compress a PDF file? You can use online tools like Smallpdf, I LovePDF, or desktop software like Adobe Acrobat to compress PDF files without significant quality loss. Compression reduces the file size, making it easier to share and download. Can I fill out forms in a PDF file? Yes, most PDF viewers/editors like Adobe Acrobat, Preview (on Mac), or various online tools allow you to fill out forms in PDF files by selecting text fields and entering information. Are there any restrictions when working with PDFs? Some PDFs might have restrictions set by their creator, such as password protection, editing restrictions, or print restrictions. Breaking these restrictions might require specific software or tools, which may or may not be legal depending on the circumstances and local laws.

Find Benix Manual For Electronic :

advanced methods for trending ai writing assistant ideas

beginner tutorial for trending agentic ai ideas

beginner tutorial for best ai writing assistant ideas

what is agentic ai ideas

complete guide to best ai for students tips

beginner tutorial for why ai writing assistant 2025

complete guide to agentic ai tips

best ai seo tools for beginners

best strategies for trending ai video generator step by step

advanced methods for how do i ai tools 2025

advanced methods for new ai tools step by step

best strategies for how to chatgpt prompts tips

best strategies for how to start ai chatbot for website step by step

best strategies for best ai seo tools step by step

complete guide to how do i chatgpt prompts for beginners

Benix Manual For Electronic :

itb full amin khalid festival rai dance - Aug 03 2022

web itb full amin khalid itb full amin khalid not losing hope in the dua s that we make iqrasense com lyberty com iata bulletin

board find phone by imei my phone finder

itb full amin khalid liululu - Feb 26 2022

web jul 29 2022 İstanbul Üniversitesi açık öğretim taban puanları yks tercih sürecinde merak ediliyor adaylar tercihlerini 27 temmuz 05 ağustos tarihleri arasında tamamlayacak

itb full amin khalid gcamp licenses meras gov sa - Jun 01 2022

web you could quickly download this itb full amin khalid after securing special it would not say yes frequently as we inform before we pay for itb full amin khalid and

itb full amin khalid discourse reconstructingjudaism org - Sep 04 2022

web itb full amin khalid 2 11 downloaded from uniport edu ng on may 9 2023 by guest characterization of herbal medicine specifically it focusses on the secondary metabolic

introduction to business for bcom part 1 by muhammad amin - Jul 14 2023

web textbook of itb introduction to business by muhammad amin khalid for bcom part 1

itb amin khalid bcom adc part 1 youtube - Aug 15 2023

web introduction to business lectures from amin khalid s book

tobb binali yıldırım kız anadolu İmam hatip lisesi sorubak com - Nov 25 2021

web itb full amin khalid survey thecube gr author burkhardt bastian survey thecube gr subject itb full amin khalid survey thecube gr keywords lyberty com find phone

itb full amin khalid uniport edu ng - Jul 02 2022

web feb 27 2023 itb full amin khalid 1 8 downloaded from uniport edu ng on february 27 2023 by guest itb full amin khalid if you ally dependence such a referred itb full amin

itb full amin khalid uniport edu ng - Apr 30 2022

web itb full amin khalid liululu net author burkhardt bastian liululu net subject itb full amin khalid liululu net keywords find phone by imei my phone finder com iata

introduction to business amin khalid b com i - May 12 2023

web mar 23 2023 we present itb full amin khalid and numerous ebook collections from fictions to scientific research in any way accompanied by them is this itb full amin

İstanbul Üniversitesi açık öğretim taban puanları 2022 İstanbul - Dec 27 2021

web itb full amin khalid liululu net author gerwald ritter liululu net subject itb full amin khalid liululu net keywords lyberty com find phone by imei my phone finder com

itb full amin khalid festival raindance - Oct 05 2022

web itb full amin khalid the independent validator s bulletin board lists the regulated agents ra3 and known consignors kc3

which have been assessed as compliant with the
[karachi university business school university of](#) - Nov 06 2022

web itb full amin khalid lyberty com find phone by imei my phone finder com not losing hope in the dua s that we make
 iqrasense com iata bulletin board lyberty com june

[introduction to business chapter 1 part 3 lecture](#) - Jun 13 2023

web jul 17 2022 this is used as a textbook of introduction to business for class b com i it is written by mohammad amin
 khalid and is published by ahmed academy

[itb full amin khalid uniport edu ng](#) - Mar 10 2023

web publisher ahmed academy class level b com 1 author muhammad amin khalid highlight pages 374

[itb full amin khalid domainlookup org](#) - Apr 11 2023

web jul 9 2023 itb full amin khalid 1 9 downloaded from uniport edu ng on july 9 2023 by guest itb full amin khalid when
 somebody should go to the books stores search

[introduction to business b com part 1 ubooks](#) - Feb 09 2023

web jun 12 2023 itb full amin khalid 1 10 downloaded from uniport edu ng on june 12 2023 by guest itb full amin khalid as
 recognized adventure as with ease as experience

[İtkİb İstanbul tekstil ve konfeksiyon İhracatçı birlikleri](#) - Jan 28 2022

web tobb binali yıldırım kız anadolu İmam hatip lisesi ne nakil almayı planlıyorsanız tobb binali yıldırım kız anadolu İmam
 hatip lisesi 9 10 11 12 sınıf boş kontenjan bilgisine

itb full amin khalid survey thecube - Sep 23 2021

itb full amin khalid dns1 bcca - Mar 30 2022

web İle İhracat daha kolay İtkİb yanımda uygulaması ile üyelerimiz artık birçok işlemini bulunduğu yerden hallederek zaman
 kazanıyor Üyelik performans ve güvenilirlik

[introduction to business b com part i mohammed](#) - Dec 07 2022

web itb full amin khalid is accessible in our book gathering an online access to it is set as public so you can get it promptly
 rather than enjoying a superb text with a cup of

itb full amin khalid liululu - Oct 25 2021

[itb full amin khalid uniport edu ng](#) - Jan 08 2023

web prof muhammad amin khalid introduction to business rahbar k be book bank karachi edition 2002 title microsoft word

introduction to business 341

[les chroniques des chasseurs d ombres wikipédia](#) - May 02 2022

web les chroniques des chasseurs d ombres titre original the shadowhunter chronicles est une franchise littéraire écrite par cassandra clare lancée en novembre 2007 aux États unis avec la série la cité des ténèbres elle est

[chronique des ombres series by pierre bordage goodreads](#) - Jun 15 2023

web chroniques des ombres épisode 24 by pierre bordage 0 00 published 2013 1 edition après la guerre nucléaire une pollution mortifère

[chroniques des ombres by pierre bordage audible com](#) - Mar 12 2023

web on soupçonne une secte d en être à l origine mais l enquête menée par les fouineurs va les plonger dans un enchevêtrement de complots et de luttes de pouvoir tandis que les ombres continuent de frapper de plus belle

chroniques des ombres tome 1 pierre bordage babelio - Aug 17 2023

web jun 24 2013 leur enquête va les conduire à l extérieur en pays horcite un territoire violent où survivent tant bien que mal les exclus du système avec chroniques des ombres pierre bordage renoue avec un de ses thèmes de prédilection des destins croisés dans un environnement post apocalyptique

critiques de chroniques des ombres pierre bordage 43 babelio - Nov 08 2022

web nov 7 2013 ce livre est constitué de 36 chapitres de longueurs égales deux histoires se déroule en parallèle en alternance d un chapitre à l autre une histoire dans les citées protégées des radiations maladies et mutations on est dans le style dystopie cyberpunk et le second récit hors des villes et là c est clairement du

[chroniques des ombres wikipédia](#) - Sep 18 2023

web chroniques des ombres est une série audio bd vidéo téléchargeable sur internet produite par le label mp3minutes et éditée par la suite sous forme de roman elle est écrite par l auteur de science fiction pierre bordage son format est conçu pour l écoute mobile sur des supports portables 1

chroniques des ombres pierre bordage google books - Jan 10 2023

web on soupçonne la secte de la fin des temps d en être à l origine mais l enquête menée par les fouineurs va les plonger dans un enchevêtrement de complots et de luttes de pouvoir ils vont être entraînés hors des cités dans le pays vague lieu de tous les dangers

amazon fr chroniques des ombres bordage pierre livres - Oct 07 2022

web la sécurité est assurée par une armée suréquipée de super détectives les fouineurs soudain dans toutes les villes et en quelques minutes des centaines de meurtres sont perpétrés par d invisibles assassins les ombres on soupçonne la secte de la fin des temps d en être à l origine mais l enquête menée par les fouineurs va les

chroniques des ombres 9782846267090 ebook littérature - Feb 28 2022

web la sécurité est assurée par une armée suréquipée de super détectives les fouineurs soudain dans toutes les villes et en quelques minutes des centaines de meurtres sont perpétrés par d invisibles assassins les ombres

chroniques des ombres pierre bordage babelio - Oct 19 2023

web sep 19 2013 critiques 43 citations 94 extraits de chroniques des ombres de pierre bordage le premier feuilleton de l auteur les derniers hommes paru en six

chroniques des ombres wikiwand - Aug 05 2022

web chroniques des ombres est une série audio bd vidéo téléchargeable sur internet produite par le label mp3minutes et éditée par la suite sous forme de roman elle est écrite par l auteur de science fiction pierre bordage son format est conçu pour l écoute mobile sur des supports portables si ce bandeau n est plus pertinent retirez le

chroniques des ombres épisode 1 by pierre bordage goodreads - Feb 11 2023

web après la guerre nucléaire une pollution mortifère a confiné une partie de la population mondiale dans des mégapoles équipées de purificateurs d air les capitales sont

kindle chroniques des ombres download live worksheets - Apr 01 2022

web nov 17 2023 chroniques des ombres pierre bordage nb de pages 750 format pdf epub mobi fb2 isbn 9782846261692 editeur au diable vauvert date de parution 2013 télécharger le livre gratuitement en pdf chroniques des ombres en francais 9782846261692 overview

chroniques des ombres poche pierre bordage fnac - Dec 09 2022

web mar 11 2015 chroniques des ombres pierre bordage auteur paru le 11 mars 2015 roman poche chroniques des ombres 4 5 6 avis 10 sur les autres formats 1 coup de cœur des libraires format poche voir tout poche 10 40 broché 23 résumé voir tout fin du xxi e siècle

chroniques des ombres broché pierre bordage fnac - Sep 06 2022

web chroniques des ombres pierre bordage au diable vauvert des milliers de livres avec la livraison chez vous en 1 jour ou en magasin avec 5 de réduction ou téléchargez la version ebook

chroniquesdesombres youtube - Jun 03 2022

web une série écrite par le célèbre auteur de science fiction pierre bordage amateurs de dessins et bd découvrez la version illustrée un mélange de genre et de talents inédits

chroniques des ombres de pierre bordage editions j ai lu - Apr 13 2023

web mar 11 2015 chroniques des ombres fin du xxi e siècle après la guerre nucléaire qui a ravagé la terre l humanité s est réfugiée dans d immenses mégapoles isolées des retombées radioactives par un dôme hermétique les cités unifiées

chroniques des ombres série babelio - Jul 16 2023

web chroniques des ombres tome 35 pierre bordage 4 00 2 tome 35 chroniques des ombres tome 36 pierre bordage 4 00 2 tome 36 voir toutes les séries thèmes de cette série roman feuilleton anticipation sectes nucléaire post apocalyptique

chroniques des ombres by pierre bordage goodreads - May 14 2023

web sep 19 2013 on soupçonne la secte de la fin des temps d en être à l origine mais l enquête menée par les fouineurs va les plonger dans un enchevêtrement de complots et de luttes de pouvoir ils vont être entraînés hors des cités dans le pays vague lieu de tous les dangers

chroniques des ombres science fiction neuf ou occasion fnac - Jul 04 2022

web la sécurité est assurée par une armée suréquipée de super détectives les fouineurs soudain dans toutes les villes et en quelques minutes des centaines de meurtres sont perpétrés par d invisibles assassins les ombres

firestarter timekeeper trilogy series 3 barnes noble - Feb 09 2023

web jan 15 2019 firestarter is a magnificent ending to the timekeeper trilogy with its high stake sacrifices heart stopping action and increasingly tender romance this explosive final volume will give fans reasons to cry and reasons to cheer

firestarter by tara sim a fine finale books for a delicate eternity - Apr 30 2022

web apr 30 2019 what firestarter timekeeper 3 by tara sim who sky pony press when january 15th 2019 how a copy of this novel was provided by sky pony press for review via edelweiss the crew of the prometheus is intent on taking down the world s clock towers so that time can run freely

[firestarter timekeeper book 3 kindle edition amazon com au](#) - Dec 07 2022

web hello sign in account lists returns orders cart

firestarter timekeeper 3 hardcover university press books - Mar 10 2023

web here is the final installment of the timekeeper trilogy following timekeeper and chainbreaker the crew of the prometheus is intent on taking down the world s clock towers so that time can run freely

firestarter volume 3 timekeeper band 3 amazon de - Apr 11 2023

web firestarter is a magnificent ending to the timekeeper trilogy with its high stake sacrifices heart stopping action and increasingly tender romance this explosive final volume will give fans reasons to cry and reasons to cheer

amazon com customer reviews firestarter timekeeper - May 12 2023

web find helpful customer reviews and review ratings for firestarter timekeeper at amazon com read honest and unbiased product reviews from our users

timekeeper tara sim - Jun 01 2022

web pre order campaign firestarter oct 18 2018 posted by tara it s that time again we re a little under 3 months away from

the release of firestarter the third and final book of the timekeeper trilogy

[pdf epub firestarter timekeeper 3 download](#) - Mar 30 2022

web may 18 2020 brief summary of book firestarter timekeeper 3 by tara sim here is a quick description and cover image of book firestarter timekeeper 3 written by tara sim which was published in 2019 1 15 you can read this before firestarter timekeeper 3 pdf epub full download at the bottom

firestarter timekeeper book 3 kindle edition amazon co uk - Jun 13 2023

web the final installment of the timekeeper trilogy the crew of the prometheus is intent on taking down the world s clock towers so that time can run freely now captives colton daphne and the others have a stark choice join the prometheus s cause or fight back in any small way they can and face the consequences

timekeeper series by tara sim goodreads - Oct 05 2022

web book 3 firestarter by tara sim 4 17 1 708 ratings 343 reviews published 2019 10 editions the crew of the prometheus is intent on taking down want to read rate it

firestarter by tara sim overdrive ebooks audiobooks and - Sep 04 2022

web jan 15 2019 the final installment of the timekeeper trilogy the crew of the prometheus is intent on taking down the world s clock towers so that time can run freely now captives colton daphne and the others have a stark choice join the prometheus s cause or fight back in any small way they can and face the consequences

firestarter timekeeper 3 tara sim - Jul 14 2023

web firestarter book 3 of the timekeeper trilogy note the paperback version of this book is currently only available via amazon in the us the crew of the prometheus is intent on taking down the world s clock towers so that time can run freely

firestarter 3 timekeeper sim tara 9781510706200 - Nov 06 2022

web abebooks com firestarter 3 timekeeper 9781510706200 by sim tara and a great selection of similar new used and collectible books available now at great prices

firestarter timekeeper 3 by tara sim goodreads - Aug 15 2023

web firestarter tara sim 4 17 1 705 ratings 343 reviews the crew of the prometheus is intent on taking down the world s clock towers so that time can run freely now captives colton daphne and the others have a stark choice join the prometheus s cause or fight back in any small way they can and face the consequences

firestarter download - Feb 26 2022

web firestarter is an apk app that allows a user to remotely manage an amazon fire tv from a mobile device usually a phone with firestarter a user can access and launch all of a fire tv s apps including those bundled with the tv such as netflix and amazon as well as non market sideloaded apps flint tinder and flicks

firestarter the timekeeper trilogy book 3 amazon com - Jan 08 2023

web firestarter the timekeeper trilogy book 3 audible audiobook unabridged tara sim author gary furlong narrator forever young audiobooks publisher 0 more 4 8 out of 5 stars 115 ratings

firestarter by tara sim overdrive ebooks audiobooks and - Jan 28 2022

web the final installment in the timekeeper trilogythe crew of the prometheus is intent on taking down the world s clock towers so that time can run freely now captives colton daphne and the others have a stark choice join the prometheus cause
0

book review firestarter timekeeper book 3 by tara sim - Jul 02 2022

web apr 28 2021 title firestarter author tara sim series timekeeper book number book 3 genre fantasy historical fantasy lgbtqia paranormal romance science fiction steampunk young adult pages 528 my rating more info goodreads amazon publisher review wow i was not expecting to be hit with this much intensity and emotion

firestarter timekeeper 3 hardcover narrow gauge book - Dec 27 2021

web firestarter is a magnificent ending to the timekeeper trilogy with its high stake sacrifices heart stopping action and increasingly tender romance this explosive final volume will give fans reasons to cry and reasons to cheer

[firestarter volume 3 timekeeper amazon co uk sim tara](#) - Aug 03 2022

web jul 2 2020 firestarter is a magnificent ending to the timekeeper trilogy with its high stake sacrifices heart stopping action and increasingly tender romance this explosive final volume will give fans reasons to cry and reasons to cheer i couldn t put it down jessica clueless author of a shadow bright and burning