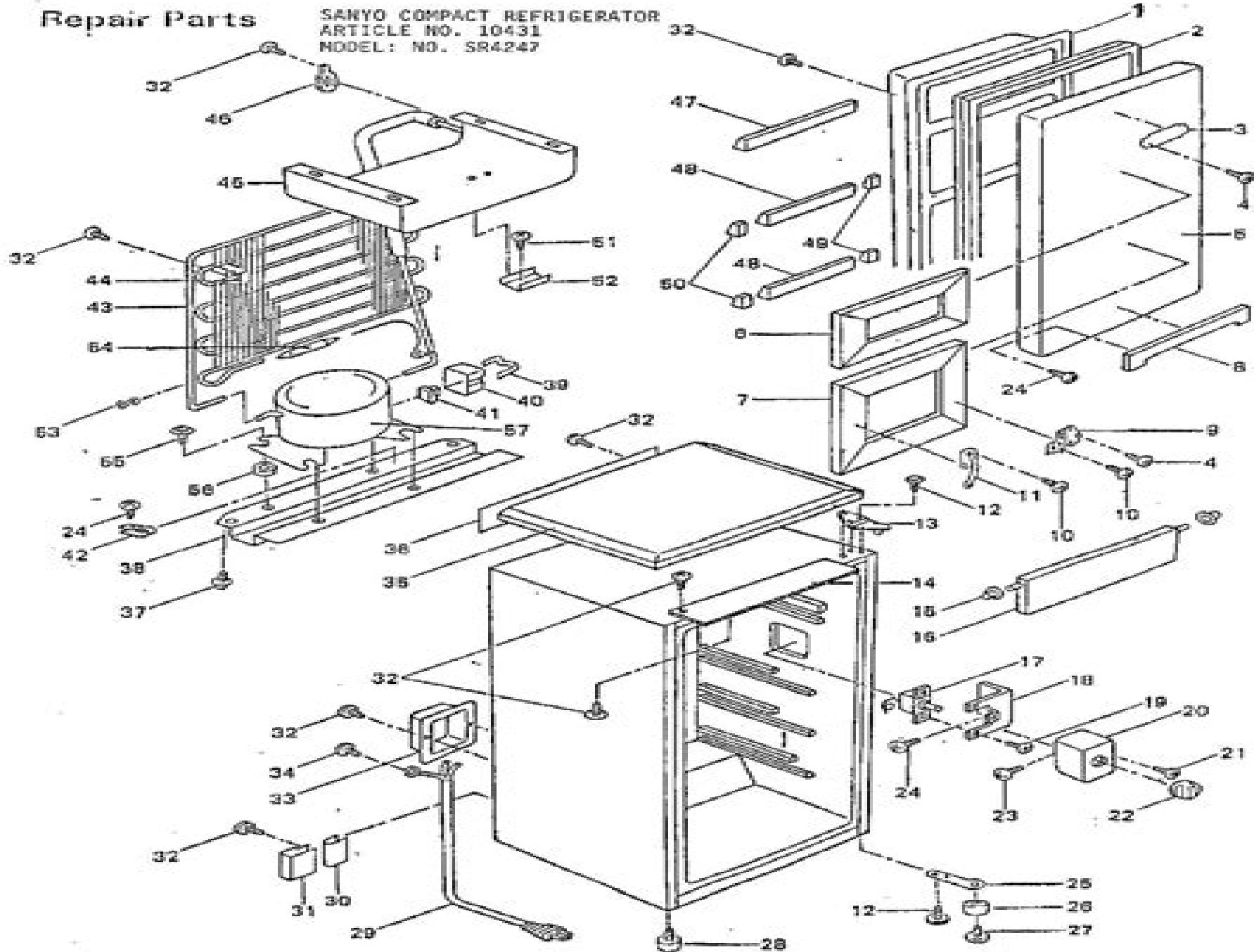


Repair Parts

SANYO COMPACT REFRIGERATOR
ARTICLE NO. 10431
MODEL: NO. SR4247



Continental Refrigerator Parts Manual

S Nieto



Continental Refrigerator Parts Manual:

Adopting the Tune of Expression: An Emotional Symphony within **Continental Refrigerator Parts Manual**

In a world consumed by displays and the ceaseless chatter of instantaneous communication, the melodic beauty and mental symphony created by the published word frequently fade into the background, eclipsed by the relentless noise and distractions that permeate our lives. But, situated within the pages of **Continental Refrigerator Parts Manual** an enchanting fictional treasure overflowing with raw thoughts, lies an immersive symphony waiting to be embraced. Constructed by an elegant composer of language, this fascinating masterpiece conducts visitors on an emotional trip, skillfully unraveling the hidden tunes and profound affect resonating within each carefully constructed phrase. Within the depths of the poignant analysis, we shall discover the book is main harmonies, analyze their enthralling writing style, and submit ourselves to the profound resonance that echoes in the depths of readers souls.

<https://yousky7.com/About/Resources/fetch.php/Economics%20Pmemo%20Nsc%20Dbe%20November%202014.pdf>

Table of Contents Continental Refrigerator Parts Manual

1. Understanding the eBook Continental Refrigerator Parts Manual
 - The Rise of Digital Reading Continental Refrigerator Parts Manual
 - Advantages of eBooks Over Traditional Books
2. Identifying Continental Refrigerator Parts Manual
 - Exploring Different Genres
 - Considering Fiction vs. Non-Fiction
 - Determining Your Reading Goals
3. Choosing the Right eBook Platform
 - Popular eBook Platforms
 - Features to Look for in an Continental Refrigerator Parts Manual
 - User-Friendly Interface
4. Exploring eBook Recommendations from Continental Refrigerator Parts Manual
 - Personalized Recommendations

- Continental Refrigerator Parts Manual User Reviews and Ratings
- Continental Refrigerator Parts Manual and Bestseller Lists
- 5. Accessing Continental Refrigerator Parts Manual Free and Paid eBooks
 - Continental Refrigerator Parts Manual Public Domain eBooks
 - Continental Refrigerator Parts Manual eBook Subscription Services
 - Continental Refrigerator Parts Manual Budget-Friendly Options
- 6. Navigating Continental Refrigerator Parts Manual eBook Formats
 - ePub, PDF, MOBI, and More
 - Continental Refrigerator Parts Manual Compatibility with Devices
 - Continental Refrigerator Parts Manual Enhanced eBook Features
- 7. Enhancing Your Reading Experience
 - Adjustable Fonts and Text Sizes of Continental Refrigerator Parts Manual
 - Highlighting and Note-Taking Continental Refrigerator Parts Manual
 - Interactive Elements Continental Refrigerator Parts Manual
- 8. Staying Engaged with Continental Refrigerator Parts Manual
 - Joining Online Reading Communities
 - Participating in Virtual Book Clubs
 - Following Authors and Publishers Continental Refrigerator Parts Manual
- 9. Balancing eBooks and Physical Books Continental Refrigerator Parts Manual
 - Benefits of a Digital Library
 - Creating a Diverse Reading Collection Continental Refrigerator Parts Manual
- 10. Overcoming Reading Challenges
 - Dealing with Digital Eye Strain
 - Minimizing Distractions
 - Managing Screen Time
- 11. Cultivating a Reading Routine Continental Refrigerator Parts Manual
 - Setting Reading Goals Continental Refrigerator Parts Manual
 - Carving Out Dedicated Reading Time
- 12. Sourcing Reliable Information of Continental Refrigerator Parts Manual
 - Fact-Checking eBook Content of Continental Refrigerator Parts Manual

- Distinguishing Credible Sources
- 13. Promoting Lifelong Learning
 - Utilizing eBooks for Skill Development
 - Exploring Educational eBooks
- 14. Embracing eBook Trends
 - Integration of Multimedia Elements
 - Interactive and Gamified eBooks

Continental Refrigerator Parts Manual Introduction

In this digital age, the convenience of accessing information at our fingertips has become a necessity. Whether its research papers, eBooks, or user manuals, PDF files have become the preferred format for sharing and reading documents. However, the cost associated with purchasing PDF files can sometimes be a barrier for many individuals and organizations. Thankfully, there are numerous websites and platforms that allow users to download free PDF files legally. In this article, we will explore some of the best platforms to download free PDFs. One of the most popular platforms to download free PDF files is Project Gutenberg. This online library offers over 60,000 free eBooks that are in the public domain. From classic literature to historical documents, Project Gutenberg provides a wide range of PDF files that can be downloaded and enjoyed on various devices. The website is user-friendly and allows users to search for specific titles or browse through different categories. Another reliable platform for downloading Continental Refrigerator Parts Manual free PDF files is Open Library. With its vast collection of over 1 million eBooks, Open Library has something for every reader. The website offers a seamless experience by providing options to borrow or download PDF files. Users simply need to create a free account to access this treasure trove of knowledge. Open Library also allows users to contribute by uploading and sharing their own PDF files, making it a collaborative platform for book enthusiasts. For those interested in academic resources, there are websites dedicated to providing free PDFs of research papers and scientific articles. One such website is Academia.edu, which allows researchers and scholars to share their work with a global audience. Users can download PDF files of research papers, theses, and dissertations covering a wide range of subjects. Academia.edu also provides a platform for discussions and networking within the academic community. When it comes to downloading Continental Refrigerator Parts Manual free PDF files of magazines, brochures, and catalogs, Issuu is a popular choice. This digital publishing platform hosts a vast collection of publications from around the world. Users can search for specific titles or explore various categories and genres. Issuu offers a seamless reading experience with its user-friendly interface and allows users to download PDF files for offline reading. Apart from dedicated platforms, search engines also play a crucial role in finding free PDF files. Google, for instance, has an advanced

search feature that allows users to filter results by file type. By specifying the file type as "PDF," users can find websites that offer free PDF downloads on a specific topic. While downloading Continental Refrigerator Parts Manual free PDF files is convenient, it's important to note that copyright laws must be respected. Always ensure that the PDF files you download are legally available for free. Many authors and publishers voluntarily provide free PDF versions of their work, but it's essential to be cautious and verify the authenticity of the source before downloading Continental Refrigerator Parts Manual. In conclusion, the internet offers numerous platforms and websites that allow users to download free PDF files legally. Whether it's classic literature, research papers, or magazines, there is something for everyone. The platforms mentioned in this article, such as Project Gutenberg, Open Library, Academia.edu, and Issuu, provide access to a vast collection of PDF files. However, users should always be cautious and verify the legality of the source before downloading Continental Refrigerator Parts Manual any PDF files. With these platforms, the world of PDF downloads is just a click away.

FAQs About Continental Refrigerator Parts Manual Books

How do I know which eBook platform is the best for me? Finding the best eBook platform depends on your reading preferences and device compatibility. Research different platforms, read user reviews, and explore their features before making a choice. Are free eBooks of good quality? Yes, many reputable platforms offer high-quality free eBooks, including classics and public domain works. However, make sure to verify the source to ensure the eBook's credibility. Can I read eBooks without an eReader? Absolutely! Most eBook platforms offer web-based readers or mobile apps that allow you to read eBooks on your computer, tablet, or smartphone. How do I avoid digital eye strain while reading eBooks? To prevent digital eye strain, take regular breaks, adjust the font size and background color, and ensure proper lighting while reading eBooks. What's the advantage of interactive eBooks? Interactive eBooks incorporate multimedia elements, quizzes, and activities, enhancing the reader engagement and providing a more immersive learning experience. Continental Refrigerator Parts Manual is one of the best books in our library for free trial. We provide a copy of Continental Refrigerator Parts Manual in digital format, so the resources that you find are reliable. There are also many eBooks related to Continental Refrigerator Parts Manual. Where to download Continental Refrigerator Parts Manual online for free? Are you looking for Continental Refrigerator Parts Manual PDF? This is definitely going to save you time and cash in something you should think about. If you're trying to find them, search around online. Without a doubt, there are numerous of these available, and many of them have the freedom. However, without a doubt, you receive whatever you purchase. An alternate way to get ideas is always to check another Continental Refrigerator Parts Manual. This method for seeing exactly what may be included and adopting these ideas to your book. This site will almost certainly help you save time and effort, money, and stress. If you are looking for free

books then you really should consider finding to assist you try this. Several of Continental Refrigerator Parts Manual are for sale to free while some are payable. If you arent sure if the books you would like to download works with for usage along with your computer, it is possible to download free trials. The free guides make it easy for someone to free access online library for download books to your device. You can get free download on free trial for lots of books categories. Our library is the biggest of these that have literally hundreds of thousands of different products categories represented. You will also see that there are specific sites catered to different product types or categories, brands or niches related with Continental Refrigerator Parts Manual. So depending on what exactly you are searching, you will be able to choose e books to suit your own need. Need to access completely for Campbell Biology Seventh Edition book? Access Ebook without any digging. And by having access to our ebook online or by storing it on your computer, you have convenient answers with Continental Refrigerator Parts Manual To get started finding Continental Refrigerator Parts Manual, you are right to find our website which has a comprehensive collection of books online. Our library is the biggest of these that have literally hundreds of thousands of different products represented. You will also see that there are specific sites catered to different categories or niches related with Continental Refrigerator Parts Manual So depending on what exactly you are searching, you will be able to choose ebook to suit your own need. Thank you for reading Continental Refrigerator Parts Manual. Maybe you have knowledge that, people have search numerous times for their favorite readings like this Continental Refrigerator Parts Manual, but end up in harmful downloads. Rather than reading a good book with a cup of coffee in the afternoon, instead they juggled with some harmful bugs inside their laptop. Continental Refrigerator Parts Manual is available in our book collection an online access to it is set as public so you can download it instantly. Our digital library spans in multiple locations, allowing you to get the most less latency time to download any of our books like this one. Merely said, Continental Refrigerator Parts Manual is universally compatible with any devices to read.

Find Continental Refrigerator Parts Manual :

[economics pmemo nsc dbc november 2014](#)

ecz august 2015 gce timetable

ecse praxis study guide 0690

economics scope for final exam paperfor grade10

economics paper 2 final november 2013 grade 10

economics papers june grade gauteng

economie du cineacutema perspectives strateacutegiques cineacutema arts visuels

economics notes grd12

[economics september 2014 paper preparatory exam](#)

[eddie ortega disc jockey manual simulation](#)

[ecu wiring diagram 89 stanza](#)

[ecz grade gce time table](#)

economics paper september 2014

[ecs160past exam papers memes](#)

[economics sample paper 20](#)

Continental Refrigerator Parts Manual :

chemistry chapter 18 defining acids and bases flashcards - Oct 04 2022

web what is the reaction between a strong acid and a strong base called neutralization reaction acid base or both often feels smooth and slippery base acid base or both has a

relative strengths of acids and bases acid base equilibria - Nov 24 2021

web relative strengths of acids and bases we can rank the strengths of acids by the extent to which they ionize in aqueous solution the reaction of an acid with water is given by the

16 1 acids and bases a brief review chemistry libretxts - May 11 2023

web acids and bases in aqueous solutions will conduct electricity because they contain dissolved ions therefore acids and bases are electrolytes strong acids and bases

overview reactions of acids and bases practice khan academy - Jul 01 2022

web overview reactions of acids and bases a chemical compound x reacts with dilute H_2SO_4 as follows
 $x + \text{H}_2\text{SO}_4 \rightarrow \text{H}_2\text{X} + \text{SO}_4^{2-}$

15 1 classifications of acids and bases chemistry - Dec 06 2022

web may 13 2023 identify acids bases and conjugate acid base pairs according to the three definitions of acids and bases to understand the concept of conjugate acid base

which compounds are formed when an acid reacts with a base - Sep 22 2021

web solution when an acid reacts with a base it neutralizes the base and forms salt and water as the products the reaction involved is known as neutralization reaction example $\text{NH}_3 + \text{HCl} \rightarrow \text{NH}_4\text{Cl}$

acid base reactions chemistry libretxts - Nov 05 2022

web jan 30 2023 an acid base reaction is a chemical reaction that occurs between an acid and a base several theoretical frameworks provide alternative conceptions of the

5 4 acids bases and neutralization reactions - Aug 02 2022

web the reaction of an acid and a base is called a neutralization reaction although acids and bases have their own unique chemistries the acid and base cancel each other s

10 4 reactions of acids and bases chemistry libretexts - Sep 03 2022

web mar 24 2021 acids and bases react with metals acids react with most metals to form a salt and hydrogen gas as discussed in chapter 7 metals that are more active than

section 1 reinforcement acids and bases key - Mar 09 2023

web section 1 reinforcement acids and bases key acids and bases apr 23 2023 acids and bases are ubiquitous in chemistry our understanding of them however is

acid and base definitions properties examples reactions - Mar 29 2022

web a acid as 1 having a sour taste 2 being corrosive 3 chemical that changes the colour of certain vegetable dyes such as litmus based on their occurrence they are divided

overview of acids and bases chemistry libretexts - Feb 08 2023

web jan 30 2023 in an acid base or neutralization reaction the h ions from the acid and the oh ions from the base react to create water h₂o another product of a

6 7 acid base reactions chemistry libretexts - Jan 27 2022

web apr 3 2023 reactions of acids with arrhenius bases acids release proton h and arrhenius bases release hydroxide ions oh in solution when an acid mix with the

acids and bases definition examples properties uses with - Dec 26 2021

web a base is a molecule or ion able to accept a hydrogen ion from an acid acidic substances are usually identified by their sour taste an acid is basically a molecule which can

what are acids and bases britannica - Feb 25 2022

web an acid in a water solution tastes sour changes the colour of blue litmus paper to red reacts with some metals e g iron to liberate hydrogen reacts with bases to form salts

acids and bases reinforcement activity amped up learning - Oct 24 2021

web this listing features a full page activity that checks students understanding about acid and base properties molecular classification reactions dissociation patterns and their effect

review and reinforcement acids and bases key - Aug 14 2023

web section key concepts as a class of compounds all acids have certain physical and chemical properties when dissolved in water when dissolved in water atl bases share certain physical and chemical properties acids and bases reviewing the main

14 5 reactions of acids and bases chemistry libretexts - Jan 07 2023

web acids and bases react with metals acids react with most metals to form a salt and hydrogen gas as discussed previously metals that are more active than acids can

acid and base strength chemistry libretexts - May 31 2022

web jan 30 2023 acids and bases behave differently in solution based on their strength acid or base strength is a measure of how readily the molecule ionizes in water introduction

14 3 relative strengths of acids and bases chemistry libretexts - Apr 10 2023

web jul 20 2023 assess the relative strengths of acids and bases according to their ionization constants rationalize trends in acid base strength in relation to molecular structure

defining acids and bases review and reinforcement - Jul 13 2023

web reinforcement acids and bases apr 12 2020 acids and bases are ubiquitous in chemistry our understanding of them however is dominated by their behaviour in

bases and alkalis acids and bases ks3 chemistry revision - Apr 29 2022

web a base is a substance that can react with acids and neutralise them bases are usually metal oxides such as copper oxide metal hydroxides such as sodium hydroxide or

name 18 1 review and reinforcement mr takacs chemistry - Jun 12 2023

web an i acid bpse neutralization reaction is 2 a n is a substance that conductp electricity 3 the chloride ion cl is the l base of hydrochloric acid hcl 4 the formula hro

era of ugly heat pumps is over claims octopus energy - Jul 21 2021

the octopus museum by brenda shaughnessy - Jul 13 2023

web through two case studies flights 2007 by polish writer olga tokarczuk and the octopus museum 2019 by american poet brenda shaughnessy i explore how these

bestsellers list september 17 los angeles times - Jun 19 2021

the octopus museum poems amazon com - May 11 2023

web mar 19 2019 brenda shaughnessy s fifth poetry collection the octopus museum imagines a dystopian future in which octopuses rule the world the human species has

the octopus museum poems brenda shaughnessy google - May 31 2022

web sultanahmet by fahimm837 it offers a incredible variety of high quality authentically sourced reasonably priced

merchandise including rugs 15 istanbul toy museum

the octopus museum poems brenda shaughnessy google - Dec 06 2022

web mar 19 2019 informed by brenda shaughnessy s craft as a poet and her worst fears as a mother the poems in the octopus museum blaze forth from her pen in these pages

a book review by ginny lowe connors the octopus museum - Jan 07 2023

web now in paperback this collection of bold and scathingly beautiful feminist poems imagines what comes after our current age of environmental destruction racism sexism and

the octopus museum by brenda shaughnessy overdrive - Aug 02 2022

web octopus ahtapot 2019 turkey hdd color 13 turkish director engin erden cast yusuf bayraktar lidya akkuş one summer day by the sea ece and efe two friends

octopus İstanbul modern - Mar 29 2022

web 1 day ago jack pokoj ocean photographer of the year a bodyboarder paddles out to sea while big storm clouds block the sun and create an electric blue color effect on the wave

the 10 best istanbul museums tripadvisor - Jan 27 2022

web octopus a metaphysical exploration of the beirut port explosion aftermath a filmmaker arrives to work on his new film and is faced with a colossal explosion that changes his life

the octopus museum summary gradesaver - Mar 09 2023

web jun 29 2021 part sci fi and part reality the octopus museum is as unsettling as it is hypnotic the poems take you into an alternate reality where because of humanity s

octopus - Sep 22 2021

istanbul archaeological museum all you need to - Dec 26 2021

web sep 14 2023 new cosy range does not require new pipes and radiators company says octopus energy has vowed to end the era of expensive and ugly heat pumps with a

octopus karim kassem - Aug 22 2021

the octopus museum poems a book by brenda shaughnessy - Feb 25 2022

web we are a team of experienced filmmakers located in istanbul we do tv commercials feature films music videos and digital content we also provide production service for

the octopus museum poems brenda shaughnessy google - Sep 03 2022

web türkiye s statistical institute türkiye İstatistik kurumu reported that there are more than 300 museums throughout the türkiye most visited and wanted to visit museums are

the octopus museum poems paperback 29 jun 2021 - Jul 01 2022

web informed as much by brenda shaughnessy s worst fears as a mother as they are by her superb craft as a poet the poems in the octopus museum blaze forth from her pen in

ocean photographer of the year 2023 otherworldly images - Oct 24 2021

the octopus museum new york public library overdrive - Oct 04 2022

web informed by brenda shaughnessy s craft as a poet and her worst fears as a mother the poems in the octopus museum blaze forth from her pen in these pages we see that

İstanbul museums official website müze İstanbul - Apr 29 2022

web discover and share books you love on goodreads

in the octopus museum brenda shaughnessy sees a - Jun 12 2023

web the octopus museum is a poem that envisages a dystopian future where the world is ruled by octopuses brenda shaughnessy gets readers to perceive themselves living in a

loading interface goodreads - Nov 24 2021

web 2 days ago hardcover fiction 1 tom lake by ann patchett harper 30 at a michigan orchard a woman tells her three daughters about a long ago romance 2 holly by

from the museum of civilisation to the octopus museum - Apr 10 2023

web mar 19 2019 this collection of bold and scathingly beautiful feminist poems imagines what comes after our current age of environmental destruction racism sexism and divisive

the octopus museum harvard review - Aug 14 2023

web the octopus museum poems by brenda shaughnessy the term postapocalyptic as in postapocalyptic fiction assumes an existence changing event has already

the octopus museum poems paperback barnes noble - Nov 05 2022

web buy the octopus museum poems by brenda shaughnessy isbn 9781524711498 from amazon s book store everyday low prices and free delivery on eligible orders

the octopus museum poems hardcover 19 mar - Feb 08 2023

web informed by brenda shaughnessy s craft as a poet and her worst fears as a mother the poems in the octopus museum blaze forth from her pen in these pages we see that

knx programmierung lernen ets5 Grundlagen und Anleitung - Jan 16 2023

web oct 29 2019 in unserem online kurs ets basiswissen kannst du schritt für schritt nachvollziehen wie du die ets software installierst und deine knx geräte darin einbindest das prinzip ist sehr intuitiv und benötigt keine programmierkenntnisse wie wir gerade gelernt haben handelt es sich dabei sowieso um parametrieren

Einführung in die knx Gebäudesystemtechnik ets5 e pdf - Oct 13 2022

web einführung in die knx gebauesystemtechnik ets5 e 5 5 special chapter focusing on nanoparticle based films can be found in this handbook a complete reference for students and professionals interested in the science and technology of thin films energy economics clarendon press experience based practical advice is at the core of this concise

Einführung in die knx Gebäudesystemtechnik ets5 ets inside - Jul 22 2023

web produktinformationen einführung in die knx gebäudesystemtechnik ets5 ets inside schülerarbeitsheft das durch einen theorie teil mit den themen Grundlagen Bussysteme Sensoren Aktoren Topologie Installationshinweise Adressierung Schaltzeichen Plänen in die knx Gebäudesystemtechnik einführt und

[Einführung in die knx Gebäudesystemtechnik ets5 e full pdf](#) - Aug 11 2022

web einführung in die knx gebauesystemtechnik ets5 e downloaded from protese odontocompany com by guest tessa jayla rfid handbook w bertelsmann verlag die am markt vorhandenen bücher betrachten lediglich den einsatz einzelner gebäudebussysteme nicht jedoch den vergleich untereinander mit bezug auf

[Einführung in die knx Gebäudesystemtechnik ets5 e copy](#) - May 08 2022

web einführung in die knx eib gebäudesystemtechnik ets 3 einführung in die knx gebauesystemtechnik ets5 e downloaded from eagldemo2 eagltechnology com by guest anna cantrell einführung in die knx gebäudesystemtechnik ets5 springer die am markt vorhandenen bücher betrachten lediglich den einsatz einzelner

Einführung in die knx Gebäudesystemtechnik ets5 e pdf copy - Jul 10 2022

web einführung in die knx gebauesystemtechnik ets5 e pdf this is likewise one of the factors by obtaining the soft documents of this einführung in die knx gebauesystemtechnik ets5 e pdf by online you might not require more grow old to spend to go to the books establishment as with ease as search for them in some cases

Einführung in die knx Gebäudesystemtechnik ets5 e copy - Jun 09 2022

web einführung in die knx gebauesystemtechnik ets5 e 5 5 be required for its introduction this total systems approach led to a three part organization of the book that also aids the reader in quickly identifying those parts that are of special interest to him section a essentially explains why it is necessary today to think about a new synthetic

[Einführung in die knx Gebäudesystemtechnik ets5 e](#) - Apr 07 2022

web as this einführung in die knx gebauesystemtechnik ets5 e it ends in the works beast one of the favored ebook

einführung in die knx gebauesystemtechnik ets5 e collections that we have this is why you remain in the best website to look the unbelievable ebook to have grilling like a champion rudolf jaeger 2014 professional grill masters

einführung in die knx gebauesystemtechnik ets5 e - Nov 14 2022

web 4 einführung in die knx gebauesystemtechnik ets5 e 2021 08 30 required for this purpose the functionality of the mechanical and electronic elements of a drive system is described and their basic dimensioning principles are explained the authors also outline the engineering reliability and important aspects of the life cycle introduction

einführung in die knx gebauesystemtechnik ets5 e copy - Sep 12 2022

web einführung in die knx gebauesystemtechnik ets5 e downloaded from banking finance gov ie by guest kayley evelin building automation wiley mit der kompendiarischen darstellung des themas energieeffizienz und energiemangement will dieses buch neugier wecken zeitgemäße energie sparende maßnahmen ohne

einführung in die knx gebauesystemtechnik ets5 e - Feb 17 2023

web einführung in die knx gebauesystemtechnik ets5 e optimierte nutzungsabhängige raumheizung durch gebäudesystemtechnik feb 06 2021 diplomarbeit aus dem jahr 2006 im fachbereich informatik technische informatik note 1 3 hochschule bremen 18 quellen im literaturverzeichnis sprache deutsch abstract an der hochschule zu bremen

ets 5 import projektdatei knx user forum - Mar 18 2023

web aug 24 2018 ets 5 import projektdatei ich habe mein kernsaniertes haus ebenfalls mit einer knx verkabelung bzw technologie versehen das haus ist auch bereits im grundgerüst programmiert jetzt hat mir mein elektriker entsprechend die projektdatei aus seinem ets programm exportiert ich kann die projektdatei in mein ets 5 programm

[einführung in die knx gebauesystemtechnik ets5 e pdf](#) - Sep 24 2023

web einführung in die knx gebauesystemtechnik ets5 e energy economics utilization of used components in new electrical and electronic products in accordance with iec 62309

einführung in die knx gebauesystemtechnik ets5 e - Mar 06 2022

web 4 einführung in die knx gebauesystemtechnik ets5 e 2021 10 25 the basic engineering sciences relevant to mechanical sensors hopefully in a way that it is accessible for all colours of engineers engi rd th neering students in their 3 or 4 year should have enough knowledge to be able to follow the arguments presented in this book in this

[einführung in die knx gebauesystemtechnik ets5 e 2023](#) - Jun 21 2023

web einführung in die knx gebauesystemtechnik ets5 e downloaded from ai classmonitor com by guest ezra banks gebäudeautomation wiley die am markt vorhandenen bücher betrachten lediglich den einsatz einzelner gebäudebussysteme nicht jedoch den vergleich untereinander mit bezug auf kosten nutzen und anwendbarkeit

einführung in die knx gebauesystemtechnik ets5 e 2022 ce - May 20 2023

web arbeitsblätter einföhrung in die knx gebäudesystemtechnik einföhrung in die knx eib gebäudesystemtechnik ets 3
handbook of thin film technology rfid handbook einföhrung in die knx gebäudesystemtechnik ets5 e downloaded from ce
nationalnursesunited org by guest lizeth atkinson service business model

[einföhrung in die knx gebäudesystemtechnik ets5 e 2022](#) - Apr 19 2023

web einföhrung in die knx gebäudesystemtechnik ets5 e 3 3 customers and patients first the holistic business models
approach addresses topics such as business operations competitiveness strategic business objectives opportunities and
threats critical success factors and key performance indicators the contributions cover various aspects of service

einföhrung in die knx gebäudesystemtechnik ets5 e pdf - Aug 23 2023

web einföhrung in die knx gebäudesystemtechnik ets5 e eib knx aug 28 2022 handbuch haus undgebudesystemtechnik
grundlagen dec 20 2021 einföhrung in die knx gebudesystemtechnik ets5 oct 30 2022 lernpaket elektronik und mechatronik
mar 30 2020 lsungen zu 32652 einföhrung in die knx gebudesystemtechnik ets5

einföhrung in die knx gebäudesystemtechnik ets5 e - Dec 15 2022

web einföhrung in die knx gebäudesystemtechnik ets5 e is additionally useful you have remained in right site to start getting
this info get the einföhrung in die knx gebäudesystemtechnik ets5 e colleague that we provide here and check out the link
you could purchase guide einföhrung in die knx gebäudesystemtechnik ets5 e or

[einföhrung in die knx gebäudesystemtechnik ets5 e](#) - Feb 05 2022

web as this einföhrung in die knx gebäudesystemtechnik ets5 e it ends stirring brute one of the favored books einföhrung in
die knx gebäudesystemtechnik ets5 e collections that we have this is why you remain in the best website to look the amazing
book to have academic planner 2019 2020 pretty planners 2019 2020 2019 06 02