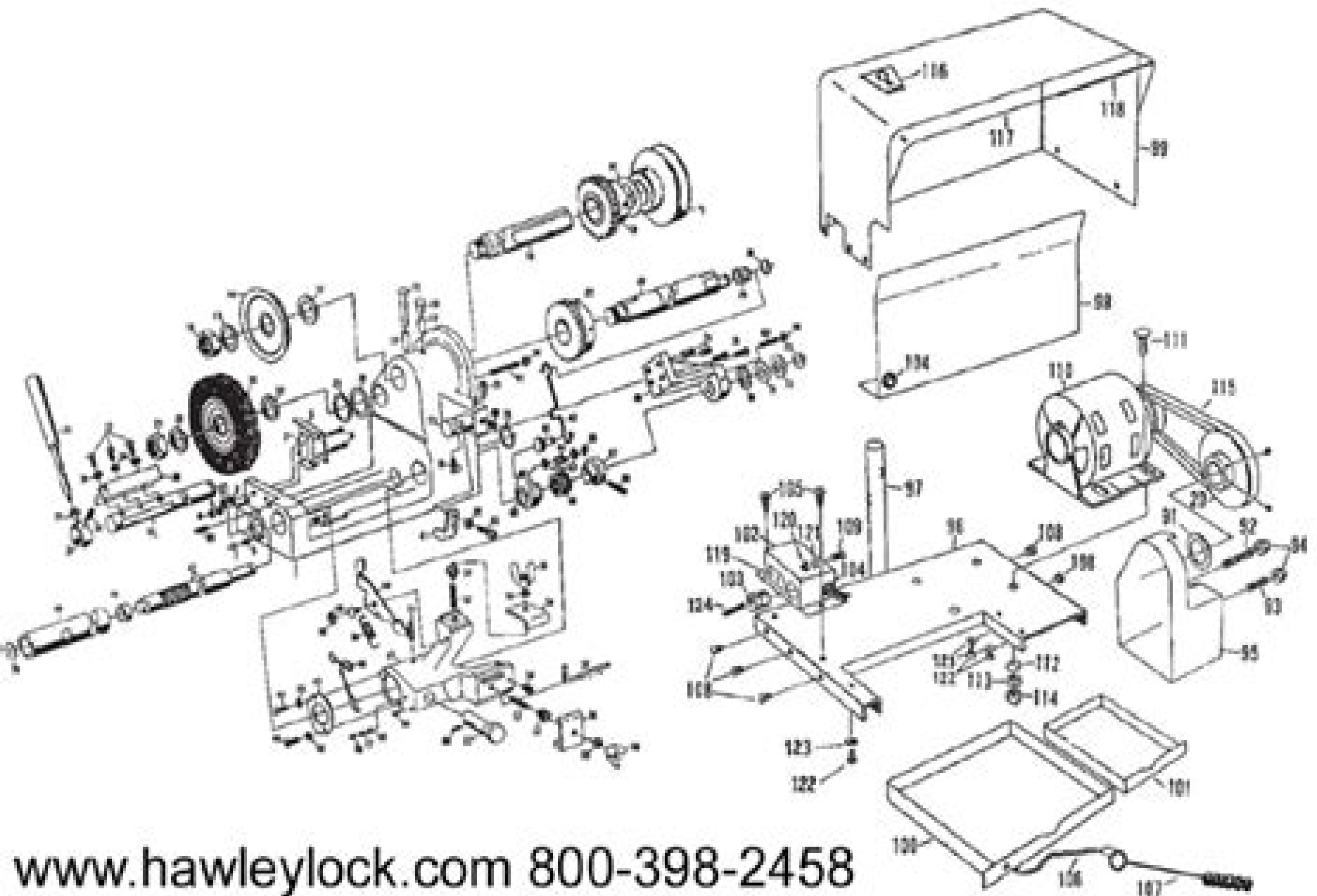


CURTIS KEY-MATIC 2000



www.hawleylock.com 800-398-2458

Curtis Key Cutting Machine Guide

Library of Congress. Copyright Office

Curtis Key Cutting Machine Guide:

Books and Pamphlets, Including Serials and Contributions to Periodicals Library of Congress. Copyright Office,1968 Catalog of Copyright Entries. Third Series Library of Congress. Copyright Office,1968 **hardware retailer**
january 1964 ,1964 **Hardware Retailer Buyer's Guide** ,1960 **Official Gazette of the United States Patent**
Office United States. Patent Office,1966 **Instruction Book** Curtis Industries,1981* **Power** ,1893 **Catalog**
McMaster-Carr Supply Company,1996 **Power and the Engineer** ,1893 **Instruction Book** Curtis Industries,
Inc,1965 Catalog of Copyright Entries. Third Series Library of Congress. Copyright Office,1969 Index of Patents
Issued from the United States Patent Office United States. Patent Office,1953 Catalogue of Title-entries of Books and
Other Articles Entered in the Office of the Librarian of Congress, at Washington, Under the Copyright Law ... Wherein the
Copyright Has Been Completed by the Deposit of Two Copies in the Office Library of Congress. Copyright Office,1972
The Age of Steel ,1891 *Scientific Canadian Mechanics' Magazine and Patent Office Record* ,1879 **English**
Mechanic and Mirror of Science ,1884 Scientific American ,1878 Monthly magazine devoted to topics of general
scientific interest **Locomotive Cyclopedia of American Practice** ,1909 Illustrated Scientific News ,1878
Scientific Canadian Mechanics' Magazine and Patent Office Record Canada. Patent Office,1879

This is likewise one of the factors by obtaining the soft documents of this **Curtis Key Cutting Machine Guide** by online. You might not require more times to spend to go to the books initiation as without difficulty as search for them. In some cases, you likewise realize not discover the declaration Curtis Key Cutting Machine Guide that you are looking for. It will no question squander the time.

However below, subsequent to you visit this web page, it will be thus enormously easy to get as capably as download guide Curtis Key Cutting Machine Guide

It will not agree to many get older as we run by before. You can accomplish it while play a part something else at house and even in your workplace. hence easy! So, are you question? Just exercise just what we meet the expense of below as without difficulty as evaluation **Curtis Key Cutting Machine Guide** what you following to read!

https://yousky7.com/book/book-search/default.aspx/cima_past_papers_p3.pdf

Table of Contents Curtis Key Cutting Machine Guide

1. Understanding the eBook Curtis Key Cutting Machine Guide
 - The Rise of Digital Reading Curtis Key Cutting Machine Guide
 - Advantages of eBooks Over Traditional Books
2. Identifying Curtis Key Cutting Machine Guide
 - Exploring Different Genres
 - Considering Fiction vs. Non-Fiction
 - Determining Your Reading Goals
3. Choosing the Right eBook Platform
 - Popular eBook Platforms
 - Features to Look for in an Curtis Key Cutting Machine Guide
 - User-Friendly Interface
4. Exploring eBook Recommendations from Curtis Key Cutting Machine Guide

- Personalized Recommendations
- Curtis Key Cutting Machine Guide User Reviews and Ratings
- Curtis Key Cutting Machine Guide and Bestseller Lists
- 5. Accessing Curtis Key Cutting Machine Guide Free and Paid eBooks
 - Curtis Key Cutting Machine Guide Public Domain eBooks
 - Curtis Key Cutting Machine Guide eBook Subscription Services
 - Curtis Key Cutting Machine Guide Budget-Friendly Options
- 6. Navigating Curtis Key Cutting Machine Guide eBook Formats
 - ePub, PDF, MOBI, and More
 - Curtis Key Cutting Machine Guide Compatibility with Devices
 - Curtis Key Cutting Machine Guide Enhanced eBook Features
- 7. Enhancing Your Reading Experience
 - Adjustable Fonts and Text Sizes of Curtis Key Cutting Machine Guide
 - Highlighting and Note-Taking Curtis Key Cutting Machine Guide
 - Interactive Elements Curtis Key Cutting Machine Guide
- 8. Staying Engaged with Curtis Key Cutting Machine Guide
 - Joining Online Reading Communities
 - Participating in Virtual Book Clubs
 - Following Authors and Publishers Curtis Key Cutting Machine Guide
- 9. Balancing eBooks and Physical Books Curtis Key Cutting Machine Guide
 - Benefits of a Digital Library
 - Creating a Diverse Reading Collection Curtis Key Cutting Machine Guide
- 10. Overcoming Reading Challenges
 - Dealing with Digital Eye Strain
 - Minimizing Distractions
 - Managing Screen Time
- 11. Cultivating a Reading Routine Curtis Key Cutting Machine Guide
 - Setting Reading Goals Curtis Key Cutting Machine Guide
 - Carving Out Dedicated Reading Time
- 12. Sourcing Reliable Information of Curtis Key Cutting Machine Guide

- Fact-Checking eBook Content of Curtis Key Cutting Machine Guide
 - Distinguishing Credible Sources
13. Promoting Lifelong Learning
- Utilizing eBooks for Skill Development
 - Exploring Educational eBooks
14. Embracing eBook Trends
- Integration of Multimedia Elements
 - Interactive and Gamified eBooks

Curtis Key Cutting Machine Guide Introduction

In the digital age, access to information has become easier than ever before. The ability to download Curtis Key Cutting Machine Guide has revolutionized the way we consume written content. Whether you are a student looking for course material, an avid reader searching for your next favorite book, or a professional seeking research papers, the option to download Curtis Key Cutting Machine Guide has opened up a world of possibilities. Downloading Curtis Key Cutting Machine Guide provides numerous advantages over physical copies of books and documents. Firstly, it is incredibly convenient. Gone are the days of carrying around heavy textbooks or bulky folders filled with papers. With the click of a button, you can gain immediate access to valuable resources on any device. This convenience allows for efficient studying, researching, and reading on the go. Moreover, the cost-effective nature of downloading Curtis Key Cutting Machine Guide has democratized knowledge. Traditional books and academic journals can be expensive, making it difficult for individuals with limited financial resources to access information. By offering free PDF downloads, publishers and authors are enabling a wider audience to benefit from their work. This inclusivity promotes equal opportunities for learning and personal growth. There are numerous websites and platforms where individuals can download Curtis Key Cutting Machine Guide. These websites range from academic databases offering research papers and journals to online libraries with an expansive collection of books from various genres. Many authors and publishers also upload their work to specific websites, granting readers access to their content without any charge. These platforms not only provide access to existing literature but also serve as an excellent platform for undiscovered authors to share their work with the world. However, it is essential to be cautious while downloading Curtis Key Cutting Machine Guide. Some websites may offer pirated or illegally obtained copies of copyrighted material. Engaging in such activities not only violates copyright laws but also undermines the efforts of authors, publishers, and researchers. To ensure ethical downloading, it is advisable to utilize reputable websites that prioritize the legal distribution of content. When downloading Curtis Key Cutting Machine Guide, users should also consider the potential

security risks associated with online platforms. Malicious actors may exploit vulnerabilities in unprotected websites to distribute malware or steal personal information. To protect themselves, individuals should ensure their devices have reliable antivirus software installed and validate the legitimacy of the websites they are downloading from. In conclusion, the ability to download Curtis Key Cutting Machine Guide has transformed the way we access information. With the convenience, cost-effectiveness, and accessibility it offers, free PDF downloads have become a popular choice for students, researchers, and book lovers worldwide. However, it is crucial to engage in ethical downloading practices and prioritize personal security when utilizing online platforms. By doing so, individuals can make the most of the vast array of free PDF resources available and embark on a journey of continuous learning and intellectual growth.

FAQs About Curtis Key Cutting Machine Guide Books

How do I know which eBook platform is the best for me? Finding the best eBook platform depends on your reading preferences and device compatibility. Research different platforms, read user reviews, and explore their features before making a choice. Are free eBooks of good quality? Yes, many reputable platforms offer high-quality free eBooks, including classics and public domain works. However, make sure to verify the source to ensure the eBook credibility. Can I read eBooks without an eReader? Absolutely! Most eBook platforms offer webbased readers or mobile apps that allow you to read eBooks on your computer, tablet, or smartphone. How do I avoid digital eye strain while reading eBooks? To prevent digital eye strain, take regular breaks, adjust the font size and background color, and ensure proper lighting while reading eBooks. What the advantage of interactive eBooks? Interactive eBooks incorporate multimedia elements, quizzes, and activities, enhancing the reader engagement and providing a more immersive learning experience. Curtis Key Cutting Machine Guide is one of the best book in our library for free trial. We provide copy of Curtis Key Cutting Machine Guide in digital format, so the resources that you find are reliable. There are also many Ebooks of related with Curtis Key Cutting Machine Guide. Where to download Curtis Key Cutting Machine Guide online for free? Are you looking for Curtis Key Cutting Machine Guide PDF? This is definitely going to save you time and cash in something you should think about. If you trying to find then search around for online. Without a doubt there are numerous these available and many of them have the freedom. However without doubt you receive whatever you purchase. An alternate way to get ideas is always to check another Curtis Key Cutting Machine Guide. This method for see exactly what may be included and adopt these ideas to your book. This site will almost certainly help you save time and effort, money and stress. If you are looking for free books then you really should consider finding to assist you try this. Several of Curtis Key Cutting Machine Guide are for sale to free while some are payable. If you arent sure if the books you would like to download works with for usage along with your computer, it is possible to download

free trials. The free guides make it easy for someone to free access online library for download books to your device. You can get free download on free trial for lots of books categories. Our library is the biggest of these that have literally hundreds of thousands of different products categories represented. You will also see that there are specific sites catered to different product types or categories, brands or niches related with Curtis Key Cutting Machine Guide. So depending on what exactly you are searching, you will be able to choose e books to suit your own need. Need to access completely for Campbell Biology Seventh Edition book? Access Ebook without any digging. And by having access to our ebook online or by storing it on your computer, you have convenient answers with Curtis Key Cutting Machine Guide To get started finding Curtis Key Cutting Machine Guide, you are right to find our website which has a comprehensive collection of books online. Our library is the biggest of these that have literally hundreds of thousands of different products represented. You will also see that there are specific sites catered to different categories or niches related with Curtis Key Cutting Machine Guide So depending on what exactly you are searching, you will be able to choose ebook to suit your own need. Thank you for reading Curtis Key Cutting Machine Guide. Maybe you have knowledge that, people have search numerous times for their favorite readings like this Curtis Key Cutting Machine Guide, but end up in harmful downloads. Rather than reading a good book with a cup of coffee in the afternoon, instead they juggled with some harmful bugs inside their laptop. Curtis Key Cutting Machine Guide is available in our book collection an online access to it is set as public so you can download it instantly. Our digital library spans in multiple locations, allowing you to get the most less latency time to download any of our books like this one. Merely said, Curtis Key Cutting Machine Guide is universally compatible with any devices to read.

Find Curtis Key Cutting Machine Guide :

cima past papers p3

cisco ccna study guide router alley

cie past papers

circulation system workbook answers

cinnamon crisp recipe

cipp exam past papers grade english

church youth group lent scavenger hunt

cincinnati milacron parts manual

~~*chut chudai woman man wallpaper*~~

~~*circuit city application for employment*~~

cisco ccna3 v4 instructor lab manual

[circuit diagram nissan alternator](#)

cisco c2administrator guide

circuit diagram of smart home

[circulatory system explore learning answer key](#)

Curtis Key Cutting Machine Guide :

penny lab answer key krempa 1 the independent variable in - Oct 03 2023

web penny lab answer key a 7 th grade environmental science mrs krempa 1 the independent variable in this experiment was the side of the penny 2 the dependent variable in this experiment was the number of drops on a penny 3 surface tension is what makes water dome on the penny or water domes on the penny because of surface

how to make gold pennies using science - Jul 20 2022

web sep 21 2018 introduction in this lab you will turn a copper penny into a silver penny and finally into a gold penny but be careful looks can be deceiving during the lab you will see how heated copper attracts zinc and bonds to form a zn cu mixture this is called brass brass is a copper zinc alloy

penny lab answer key docx penny lab answer key course - Mar 28 2023

web penny lab answer key a 7thgrade environmental science mrs krempa 1 the independent variable in this experiment was the side of the penny 2 the dependent variable in this experiment was the number of drops on a penny 3

the ultimate guide to chemistry penny lab answers - May 18 2022

web the chemistry penny lab answers the question of whether chemical reactions can change the physical properties of an object such as its color or mass the results of the experiment can vary depending on the type of chemical solution used and the duration of the reactions

chemistry penny lab answers pdf course hero - Aug 21 2022

web view chemistry penny lab answers pdf from financial literacy 40 0530049 at shaw high school chemistry penny lab answers as recognized adventure as skillfully as experience more or less lesson

water drops on a penny flinn sci - Apr 16 2022

web part a rinse a penny in tap water dry thoroughly with a paper towel 2 place the penny on a fresh paper towel 3 fill a beaker with 25 ml of tap water 4 using a pipet slowly drop individual droplets of water onto the surface of the penny 5 count each drop until the water begins to spill over the sides of the penny

lab gold penny lab google docs google sheets - Jun 18 2022

web final mass of each penny post lab questions be sure to complete your data table including observations from the lab and

include answers to the following questions 1 what was the

penny isotope lab answers answers for 2023 exams - Mar 16 2022

web penny lab answer key a docest penny lab answer key a 7th grade environmental science mrs krempa 1 the independent variable in this experiment was the side of the penny 2 the dependent variable in this experiment was the number of drops on a penny 3 surface tension is what makes water dome on the penny or

drops on a coin stem library lab - Feb 12 2022

web key questions how many drops of water they think a coin can hold were your predictions correct does it matter if the coin is heads or tails will syrup oil hold more or less drops than water why how is it possible to get so many water drops on a coin what causes the skin on the surface of the big droplet

penny lab flashcards quizlet - Dec 25 2022

web terms in this set 13 what is an alloy a mixture of 2 or more metals or a metal and a nonmetal fused together dissolved in each other when molten low zinc brasses contain how much zinc and how do they form less than 20 zinc easier to form how much zinc do yellow brasses contain 34 37 zinc what other elements do some brasses contain

drops on a penny lab study com - Oct 23 2022

web cite this lesson in this physics lab we will be exploring a property of water known as surface tension we will observe and study this property by determining how many drops of water will fit on

[penny lab the biology corner](#) - Apr 28 2023

web penny lab how is the surface tension of water affected by soap introduction surface tension refers to water s ability to stick to itself surface tension can be measured and observed by dropping water drop by drop onto a penny the number of water drops that can fit on a penny will surprise you 1

copper penny lab krista nishida copper penny lab studocu - Nov 23 2022

web feb 10 2022 on we were trying to answer for this lab is w s the percent copper of a post 1983 1959 to 1982 copper made up 95 of pennies while ti n and zinc made up the remaining 5 however since copper became m ore expensive the united states treasury took t sion to alter the pennies

drops on a penny experiment stem library lab - Sep 21 2022

web in this activity you ll experience surface tension and cohesion by testing how many drops of water you can you fit on a penny you might be surprised considering pennies are so small there s only one way to find out

[gold penny lab flashcards quizlet](#) - Feb 24 2023

web what was the purpose of the penny lab observe how properties of a metal can change how will copper be changed in terms of its properties by heating the copper with zinc in the presence of a sodium hydroxide naoh solution the zinc replaces

the copper in the naoh solution then the zinc diffuses into the copper when heated zinc naoh

drops on a penny lab little bins for little hands - May 30 2023

web oct 3 2023 penny lab experiment let s investigate how many drops of water can fit on a penny grab your purse turn over the couch cushions or break out the piggy bank it s time to find some pennies to experiment with supplies pennies eyedropper or pipette water food coloring makes seeing this in action much easier but is optional small bowls

take a guess science spot - Jun 30 2023

web 1 explain your results from both parts of the experiment in terms of cohesion and surface tension 2 how do your results compare to the other groups in your class provide at least 2 possible reasons for any similarities and differences you identified drops on a penny teacher notes materials

penny lab review flashcards quizlet - Sep 02 2023

web study with quizlet and memorize flashcards containing terms like observations of part 1 observations of part 2 what caused the penny to turned silver was it a chemical or physical change and more

[penny lab soap and surface tension the biology corner](#) - Jan 26 2023

web jun 22 2018 use pennies soap and a pipette to conduct a lab on the surface tension of water this lab is intended to reinforce the principles of the scientific method developing a hypothesis testing a hypothesis and analyzing data

penny lab answer key a docest - Aug 01 2023

web penny lab answer key a 7th grade environmental science 1 the independent variable in this experiment was the side of the penny 2 the dependent variable in this experiment was the number of drops on a penny 3 surface tension is what makes water dome on the penny

progetto genesis protocollo spectrum vol ii 2022 - May 20 2023

4 progetto genesis protocollo spectrum vol ii 2022 02 23 professional guide you ll develop a flexible grounded and client centered practice with this comprehensive resource you ll learn to cultivate an organic process driven practice grounded in the heart of the therapeutic relationship and responsive to clients in the moment the

progetto genesis protocollo spectrum volume ii by angela p - Jan 16 2023

back to progetto genesis protocollo spectrum volume ii find a digital library with progetto genesis protocollo spectrum volume ii near you search by city zip code or library name search learn more about precise location detection showing public libraries k

progetto genesis protocollo spectrum vol ii by angela p Fassio - Jan 04 2022

jun 16 2023 this progetto genesis protocollo spectrum vol ii by angela p Fassio as one of the most operational sellers here will entirely be accompanied by by the best selections to review in the abode workplace or possibly in your system can be

every ideal location within internet connections in the end you will definitively find a additional

progetto genesis protocollo spectrum vol ii kobo com - Mar 18 2023

read progetto genesis protocollo spectrum vol ii by angela p Fassio available from rakuten kobo quando ogni speranza è perduta è meglio morire da vivi o vivere da morti il progetto genesis svela lati oscuri e inq

progetto genesis protocollo spectrum vol ii - Sep 24 2023

progetto genesis protocollo spectrum vol ii the phonological spectrum volume i segmental structure en volume ii suprasegmental structure mar 09 2021 literature 1976 part 2 aug 14 2021 astronomy and astrophysics abstracts which has appeared in semi annual volumes since 1969 is devoted to the recording summarizing and indexing of

progetto genesis protocollo spectrum vol ii pdf uniport edu - Jun 09 2022

apr 28 2023 progetto genesis protocollo spectrum vol ii 2 6 downloaded from uniport edu ng on april 28 2023 by guest and or enhance the cognitive functioning throughout one s lifespan the aim of this research topic was to provide an outlook through multidisciplinary research and development while addressing the dynamic intersection of

free progetto genesis protocollo spectrum vol ii - Mar 06 2022

resource the present volume draws together a spectrum of biodeterioration work from across the world to provide an overview of the materials examined and the methodologies employed to elucidate the nature of the problems as well as an extensive and current bibliographical resource on lichen biodeterioration biodeterioration of historical and

progetto genesis protocollo spectrum vol ii apple books - Apr 19 2023

jun 17 2015 il progetto genesis svela lati oscuri e inquietanti che rico e i suoi amici devono affrontare specialmente il misterioso protocollo spectrum derivato dal programma originale prospetta scenari ancora più paurosi e sinistri

progetto genesis protocollo spectrum vol ii iris andraschek pdf - Aug 11 2022

progetto genesis protocollo spectrum vol ii 1 19 downloaded from secure docs lenderhomepage com on by guest progetto genesis protocollo spectrum vol ii recognizing the way ways to get this book progetto genesis protocollo spectrum vol ii is additionally useful you have remained in right site to start getting this info acquire the progetto

progetto genesis protocollo spectrum vol ii by angela p Fassio - Jul 10 2022

jun 14 2023 stated the progetto genesis protocollo spectrum vol ii by angela p Fassio is internationally compatible with any devices to read that's something that will lead you to cognize even more in the region of the planet insight specific areas bygone days entertainment and a lot more in certain scenarios you likewise accomplish not explore

progetto genesis protocollo spectrum vol ii vincent gillespie - Feb 05 2022

jan 9 2023 4728788 progetto genesis protocollo spectrum vol ii 4 22 downloaded from knockinc com on by guest

applications of act grow so does the need for up to date professional resources unlike many advanced act books that focus on

procedures and techniques the heart of act focuses on the heart of the therapeutic relationship as well as

progetto genesis protocollo spectrum vol ii copy uniport edu - Dec 03 2021

jun 7 2023 merely said the progetto genesis protocollo spectrum vol ii is universally compatible later than any devices to read the european insolvency regulation miguel virgos 2004 01 01 after many years of negotiations among member states a uniform set of private international law rules has been established to determine the

progetto genesis protocollo spectrum vol ii - Nov 02 2021

progetto genesis protocollo spectrum vol ii recognizing the quirk ways to acquire this book progetto genesis protocollo spectrum vol ii is additionally useful you have remained in right site to start getting this info get the progetto genesis protocollo spectrum vol ii member that we have enough money here and check out the link

progetto genesis protocollo spectrum vol ii 2022 eagldemo2 - Jun 21 2023

4 progetto genesis protocollo spectrum vol ii 2022 06 14 this is a timely volume in view of the considerable interest currently shown in the preservation of our cultural heritage and the extensive and growing literature on the subject unfortunately the latter is to be found in a wide variety of published sources some aimed at a very

progetto genesis vol 2 protocollo spectrum booktrailer - Nov 14 2022

booktrailer a cura di consuelo b immagini tratte dai seguenti filmrevolutionwarm bodiesdead rising watchtower live or let dieanger of the deadthe day after

progetto genesis protocollo spectrum vol ii ikinci el kitap - Oct 13 2022

progetto genesis protocollo spectrum vol ii isbn 9786051765815 bu kitap şu anda satışta değil İlanlarıma ekle buuk türkiye nin en kazançlı pazaryeri türkiye nin ilk bireysel ve kurumsal online ürün pazaryeri buuk ürün çeşitliliği avantajlı fiyatları ve 100 güvenli alışverişe olanak sağlayan Ödeme koruma

progetto genesis protocollo spectrum vol ii nicolai rubinstein - Sep 12 2022

this progetto genesis protocollo spectrum vol ii as one of the most lively sellers here will no question be in the course of the best options to review poplars and willows jud g isebrands 2014 02 12 poplars and willows form an important component of forestry and agricultural

progetto genesis protocollo spectrum vol ii formato kindle - Dec 15 2022

progetto genesis protocollo spectrum vol ii ebook angela p Fassio amazon it kindle store passa al contenuto principale it ciao scegli il tuo indirizzo kindle store seleziona la categoria in cui desideri effettuare la ricerca ricerca amazon it

progetto genesis protocollo spectrum vol ii secure mowtampa - Jul 22 2023

progetto genesis protocollo spectrum vol ii 5 5 mark a turning point in the history of the austrian educational landscape the book provides new perspectives on the work of leo thun hohenstein using to date unknown sources and new approaches this

work was published by saint philip street press pursuant to a creative commons license permitting

progetto genesis protocollo spectrum vol ii e kitap angela p - Aug 23 2023

bir angela p Fassio eseri olan *progetto genesis protocollo spectrum vol ii e kitap* olarak en cazip fiyat ile d r de keşfetmek için hemen tıklayınız

progetto genesis protocollo spectrum vol ii pdf uniport edu - May 08 2022

progetto genesis protocollo spectrum vol ii 2 7 downloaded from uniport edu ng on may 28 2023 by guest the conduct of cross border insolvency proceedings within the european community this is the european insolvency regulation of may 2000 although each state still retains its own insolvency law the

progetto genesis protocollo spectrum vol ii pdf uniport edu - Apr 07 2022

mar 20 2023 *progetto genesis protocollo spectrum vol ii 2 7* downloaded from uniport edu ng on march 20 2023 by guest disabling obesity paolo capodaglio 2013 04 04 obesity is currently regarded as one of the major health challenges of the developed world excess body weight is an important risk factor for morbidity

progetto genesis protocollo spectrum volume ii overdrive - Feb 17 2023

jun 17 2015 il *progetto genesis svela lati oscuri e inquietanti che rico e i suoi amici devono affrontare specialmente il misterioso protocollo spectrum derivato dal programma originale prospetta scenari ancora più paurosi e sinistri*

pengetahuan gizi aktivitas fisik dan tingkat - Aug 23 2023

sep 6 2018 jakarta 17 18 desember 2004 badan ketahanan pangan dan penyuluhan 2014 rapat pokja ahli dan teknis laporan monitoring intervensi 8 desa percontohan

asupan dan kecukupan gizi antara remaja - Jan 16 2023

untuk melakukan evaluasi perencanaan konsumsi dan ketersediaan pangan dalam rangka pemenuhan kebutuhan penduduk rata rata secara makro nasional dan berbagai kebutuhan

jurnal hardin wnp 2004 pdf scribd - Dec 15 2022

jul 5 2018 jakarta angka kecukupan gizi akg dan angka kecukupan protein akp bagi indonesia yang baru menjadi salah satu rekomendasi widyakarya nasional pangan dan gizi

pdf kecukupan energi protein lemak - Sep 24 2023

dari angka kecukupan energi yang dianjurkan akg 2004 yaitu 2 349 kkal vs 2 550 kkal laki laki dan 1 851 kkal vs 1 900 kkal perempuan rata rata tingkat kecukupan zat gizi umumnya

tureng ağırlıklı not ortalaması türkçe İngilizce sözlük - May 08 2022

mng kargo parsa Şubesİ mng kargo parsa Şubesİ internet sitesi kemalpaŞa İzmİr 902328789 taŞima lojİstİK firmaları

uln2004apg datasheet pdf toshiba semiconductor - Jan 04 2022

apr 23 2021 pkg dosyası bir çeşit yükleyici olmakla birlikte bilgisayar kullanıcıların aşına olduğu konudur pkg dosyası genel olarak apple sistemli olmasından dolayı

korelasi antara tingkat kecukupan gizi dengan indeks massa - Sep 12 2022

80 kkg baik 80 110 kkg lebih 110 kkg sumber wnpng 2004 2 an gizi pengetahuan sesuatu yang diketahui tentang makanan dalam hubungannya dengan gizi yang

hardinsyah google scholar - Jun 09 2022

sep 3 2023 march 9th 2018 sumber tabel kkg wnpng 2004 2 4 1 karbohidrat dalam mp asi karbohidrat merupakan sumber energi utama bagi masyarakat indonesia jagung

pemenuhan kecukupan gizi bagi pekerja kemkes go id - Mar 18 2023

gizi kkg dengan klasifikasi dengan klasifikasi lebih 110 kkg baik 80 110 kkg dan kurang 80 kkg wnpng 2004 perbedaan antar variabel diuji secara analitik

kg wnpng 2004 edms ncdmb gov ng - Apr 07 2022

dari angka kecukupan energi yang dianjurkan kkg 2004 yaitu 2349 kkal vs 2550 kkal laki laki dan 1851 kkal vs 1900 kkal perempuan

ringkasan angka kecukupan gizi kkg yang - Aug 11 2022

synbiotic and nutrients supplement improved of secretory immunoglobulin a siga in treated pulmonary tuberculosis patients samsidi h hardinsyah cm kusharto a sulaeman b

prosiding widyakarya nasional pangan dan gizi wnpng xi - Jul 22 2023

akg yang dihasilkan dari data klinis keseimbangan nitrogen jauh lebih rendah dibandingkan cara anjuran kisaran sebaran persentase 1 energi dari gizi makro amdr secara umum ake

wnpng xi rumuskan angka kecukupan gizi nasional terbaru - Oct 13 2022

nov 20 2012 kemudian sejak tahun 2004 ditetapkan setiap 10 tahun kkg dirumuskan oleh para pakar dibidangnya melalui widyakarya nasional pangan dan gizi wnpng banyak

pdf angka kecukupan gizi kkg igga berliana - May 20 2023

feb 14 2011 karbohidrat protein lemak vitamin dan mineral serta zat zat lain dalam tubuh perlu diperhatikan proporsinya agar seimbang wnpng viii 2004 yaitu karbohidrat 50 65

pengetahuan gizi aktivitas fisik dan tingkat - Feb 05 2022

apr 23 2021 nrg dosyası açma İşlemi ve program Önerisi nrg uzantılı dosyaları açmak için pek çok program geliştirilmiştir bu programlar arasında smart projects isobuster h h

peraturan menteri kesehatan republik indonesia - Nov 14 2022

angka kecukupan gizi akg untuk mendapatkan tingkat kecukupan gizi yang terdiri atas tingkat kecukupan energi protein karbohidrat dan lemak rumus perhitungannya adalah

mng kargo parsas Şubesİ firmasec com - Mar 06 2022

uln2004apg product details the uln2003apg afg series are high voltage high current darlington drivers comprised of seven npn darlington pairs all units feature integral clamp

food intake to overweight and obesity in children aged 7 12 - Feb 17 2023

studi studi ini sebesar tiga kali akg dosis vitamin efikasi suplementasi besi multivitamin ini c b12 dan vitamin a sebesar tujuh kali akg dilakukan pada sampel yang kecukupan wnp

pkg dosyası nedir ve nasıl açılır pkg dosyası açma hürriyet - Nov 02 2021

bab iii kerangka konsep dan definisi operasional - Jul 10 2022

eğitim ağırlıklı genel not ortalaması cumulative grade point average i 2 eğitim ağırlıklı genel not ortalaması weighted grade point average i 3 eğitim

pdf pengetahuan gizi aktivitas fisik dan - Jun 21 2023

secara umum ake dan akp bagi penduduk indonesia saat ini wnp 2012 sedikit lebih tinggi dibanding ake dan akp 2004 wnp 2004 dengan menggunakan hasil perhitungan ake

nrg dosyası nedir ve nasıl açılır nrg dosyası açma hürriyet - Dec 03 2021

kecukupan energi protein lemak dan - Apr 19 2023

with the akg in 2013 which is recommended according to wnp 2004 by considering age and gender factors energy and fat intake is also a faktor obesity normal energy intake is a