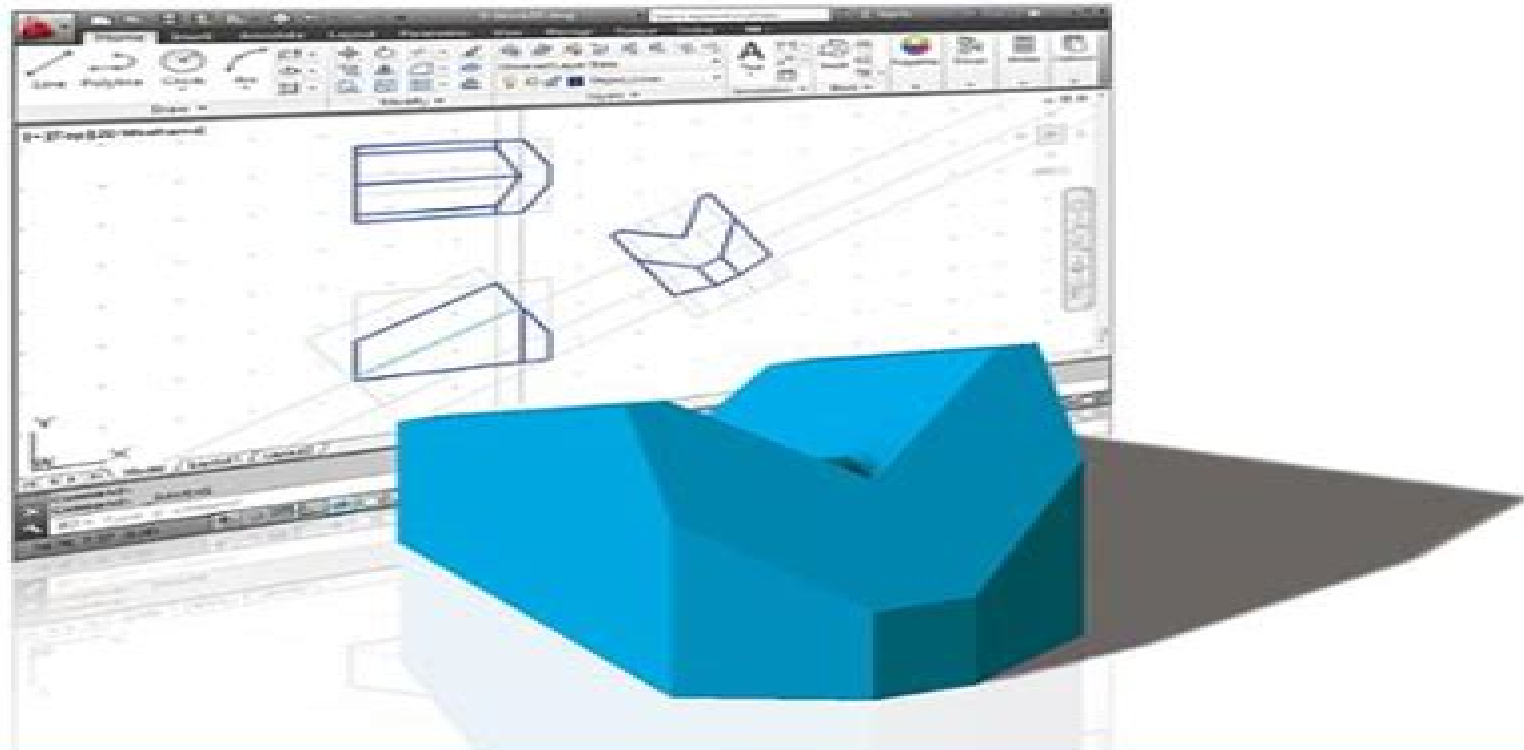


AutoCAD 2013 Tutorial - Second Level: 3D Modeling

Randy H. Shih



Autocad 2013 Tutorial Second Level

Randy Shih

A decorative graphic element consisting of a light blue horizontal bar with a rounded right end, and a red-to-white gradient semi-circle overlapping the right side of the bar.

Autocad 2013 Tutorial Second Level:

AutoCAD 2013 Tutorial - Second Level: 3D Modeling Randy H. Shih,2012 The primary goal of AutoCAD 2013 Tutorial Second Level 3D Modeling is to introduce the aspects of computer based three dimensional modeling This text is intended to be used as a training guide for both students and professionals The chapters in this book cover AutoCAD 2013 and proceed in a pedagogical fashion to guide you from constructing 3D wire frame models 3D surface models and 3D solid models to making multiview drawings and rendering images The text takes a hands on exercise intensive approach to all the important 3D modeling techniques and concepts This book contains a series of twelve tutorial style chapters designed to introduce CAD users to 3D modeling with AutoCAD 2013 Users upgrading from a previous release of the AutoCAD software will also find this text helpful The basic premise of this book is that the more 3D designs you create using AutoCAD 2013 the better you learn the software With this in mind each tutorial introduces a new set of commands and concepts building on previous chapters By going through this book readers will establish a good basis for exploring and growing in the exciting field of Computer Aided Engineering

AutoCAD 2013 Tutorial - First Level: 2D Fundamentals Randy H. Shih,2012-04-27 The primary goal of AutoCAD 2013 Tutorial First Level 2D Fundamentals is to introduce the aspects of Computer Aided Design and Drafting CADD This text is intended to be used as a training guide for students and professionals This text covers AutoCAD 2013 and the lessons proceed in a pedagogical fashion to guide you from constructing basic shapes to making multiview drawings The lessons are further reinforced by the video presentations found on the enclosed multimedia DVD This textbook contains a series of eleven tutorial style lessons designed to introduce beginning CAD users to AutoCAD 2013 It takes a hands on exercise intensive approach to all the important 2D CAD techniques and concepts This text is also helpful to AutoCAD users upgrading from a previous release of the software The new improvements and key enhancements of the software are incorporated into the lessons The 2D CAD techniques and concepts discussed in this text are also designed to serve as the foundation to the more advanced parametric feature based CAD packages such as Autodesk Inventor The basic premise of this book is that the more designs you create using AutoCAD 2013 the better you learn the software With this in mind each lesson introduces a new set of commands and concepts building on previous lessons This book is intended to help readers establish a good basis for exploring and growing in the exciting field of Computer Aided Engineering

Autocad 2014 Tutorial - Second Level Randy Shih,2013 The primary goal of AutoCAD 2014 Tutorial Second Level 3D Modeling is to introduce the aspects of computer based three dimensional modeling This text is intended to be used as a training guide for both students and professionals The chapters in this book cover AutoCAD 2014 and proceed in a pedagogical fashion to guide you from constructing 3D wire frame models 3D surface models and 3D solid models to making multiview drawings and rendering images The text takes a hands on exercise intensive approach to all the important 3D modeling techniques and concepts This book contains a series of twelve tutorial style chapters designed to introduce CAD users to 3D modeling with

AutoCAD 2014 Users upgrading from a previous release of the AutoCAD software will also find this text helpful The basic premise of this book is that the more 3D designs you create using AutoCAD 2014 the better you learn the software With this in mind each tutorial introduces a new set of commands and concepts building on previous chapters By going through this book readers will establish a good basis for exploring and growing in the exciting field of Computer Aided Engineering

AutoCAD 2006 Tutorial - Second Level Randy H. Shih,2005-07 **Tutorial Guide to AutoCAD 2013** Shawna

Lockhart,2012-05-23 A Tutorial Guide to AutoCAD 2013 provides a step by step introduction to AutoCAD with commands presented in the context of each tutorial In fifteen clear and comprehensive chapters author Shawna Lockhart guides readers through all the important commands and techniques in AutoCAD 2013 from 2D drawing to solid modeling and finally finishing with rendering In each lesson the author provides step by step instructions with frequent illustrations showing exactly what appears on the AutoCAD screen Later individual steps are no longer provided and readers are asked to apply what they ve learned by completing sequences on their own A carefully developed pedagogy reinforces this cumulative learning approach and supports readers in becoming skilled AutoCAD users A Tutorial Guide to AutoCAD 2013 begins with three Getting Started chapters that include information to get readers of all levels prepared for the tutorials The author includes tips that offer suggestions and warnings as you progress through the tutorials Key Terms and Key Commands are listed at the end of each chapter to recap important topics and commands learned in each tutorial Also a glossary of terms and Commands Summary lists the key commands used in the tutorials Each chapter concludes with end of chapter problems providing challenges to a range of abilities in mechanical electrical and civil engineering as well as architectural problems

AutoCAD 2005 Tutorial Randy H. Shih,2004 AutoCAD 2011 Tutorial Randy H. Shih,2010 This text covers AutoCAD

2011 and the chapters proceed in a pedagogical fashion to guide you from constructing 3D wireframe models 3D surface models and 3D solid models to making multiview drawings Preface **Introduction to Autodesk Inventor 2013 and AutoCAD 2013** Randy Shih,2012 Most schools using Autodesk software first introduce students to the 2D features of AutoCAD and then go on to its 3D Capabilities Inventor is usually reserved for the second or third course or for a solid modeling course However another possibility is to introduce students first to solid modeling using Autodesk Inventor and then to introduce AutoCAD as a 2D product In this book students learn to create solid models using Autodesk Inventor and then learn how to create working drawings of their 3D models using AutoCAD This approach provides students with a strong understanding of the process used by many professionals in the industry to create models and working drawings This book contains a series of tutorial style lessons designed to introduce Autodesk Inventor AutoCAD solid modeling and parametric modeling It uses a hands on exercise intensive approach to all the import parametric modeling techniques and concepts The lessons guide the user from constructing basic shapes to building intelligent mechanical designs creating multi view drawings and assembly models An Introduction to Inventor 2013 and AutoCAD 2013 consists of eleven chapters from

Parametric Modeling with Inventor 2013 and six chapters from AutoCAD 2013 Tutorial First Level 2D Fundamentals Both of these books are highly regarded and are very popular making this book an exceptional value for anyone interested in learning both software packages *AutoCAD 2013 and AutoCAD LT 2013* Donnie Gladfelter,2012-06-11 The ideal introductory resource for Autodesk s powerful architectural design software With this hands on guide you ll learn how to plan develop document and present a complete AutoCAD project by working on summer cabin a fun practice project that runs throughout the book You can follow each step sequentially or jump in at any point by downloading the drawing files from the book s companion web site You ll also master all essential AutoCAD features get a thorough grounding in the basics learn the very latest industry standards and techniques and quickly become productive with AutoCAD Features concise explanations focused examples and step by step instructions for learning AutoCAD and AutoCAD LT with a hands on project Fully revised for the latest AutoCAD and AutoCAD LT as well as emerging techniques and standards in the industry Offers the full range of basics such as the AutoCAD interface basic commands and creating drawings and gradually progresses to more advanced topics including grouping elevations hatches and using text in drawings Includes a supporting website the contains downloadable tutorial files so readers can jump in at any point in the book Introduces dimensioning external references layouts and printing and using 3D AutoCAD2013 and AutoCAD LT 2013 No Experience Required helps you learn to use AutoCAD and AutoCAD LT with ease and confidence *Residential Design Using AutoCAD 2013* Daniel John Stine,2012-04-27 Residential Design Using AutoCAD 2013 is an introductory level tutorial which uses residential design exercises as the means to teach you AutoCAD 2013 Each book comes with a DVD containing numerous video presentations in which the author shows and explains the many tools and techniques used in AutoCAD 2013 After completing this book you will have a well rounded knowledge of Computer Aided Drafting that can be used in the industry and the satisfaction of having completed a set of residential drawings This textbook starts with an optional section that covers basic hand sketching techniques and concepts intended to increase your ability to sketch design ideas by hand and to think three dimensionally The book then proceeds with a basic introduction to AutoCAD 2013 The first three chapters are intended to get you familiar with the user interface and many of the common menus and tools Throughout the rest of the book you will design a residence through to its completion Using step by step tutorial lessons the residential project is followed through to create elevations sections details etc Throughout the project new AutoCAD commands are covered at the appropriate time Focus is placed on the most essential parts of a command rather than an exhaustive review of every sub feature of a particular command The Appendix contains a bonus section covering the fundamental principles of engineering graphics that relate to architecture

Up and Running with AutoCAD 2013 Elliot J. Gindis,2012-12-31 Up and Running with Autocad 2013 started out as a set of classroom notes that outlined in an easy to understand manner exactly how AutoCAD is used and applied in contrast to theoretical musings or clinical descriptions of the commands as found in other books This book attempts to use experience

and top level knowledge to sort out what is important and what is secondary and to explain the essentials in plain language This volume comprises 20 chapters beginning with the AutoCAD fundamentals The following chapters then focus on layers colors linetypes and properties text Mtext editing and style and hatch patterns dimensions blocks Wblocks dynamic blocks groups and purge Other chapters cover polar rectangular and path arrays basic printing and output advanced linework options shortcuts CUI design center and express tools advanced design and file management tools advanced output and pen settings and isometric drawing Each chapter in the book ends with a summary and some review questions to aid the reader in retaining essential concepts This book will be of interest to engineers architects and industrial designers *Up and Running with AutoCAD 2013* Elliot Gindis,2012-07-26 This book provides step by step instruction examples and explanations relating to the core concepts and practical application of AutoCAD in architecture engineering and design **Mastering AutoCAD 2013 and AutoCAD LT 2013** George Omura,Brian C. Benton,2012-06-05 Used by professionals to create 2D and 3D technical drawings AutoCAD has been installed by millions of people around the world This guide teaches you the power and potential of AutoCAD and AutoCAD LT through the use of concise explanations focused examples step by step instructions and hands on projects **AutoCAD 2021 Tutorial First Level 2D Fundamentals** Randy Shih,2020-06-10 The primary goal of AutoCAD 2021 Tutorial First Level 2D Fundamentals is to introduce the aspects of Computer Aided Design and Drafting CADD This text is intended to be used as a training guide for students and professionals This text covers AutoCAD 2021 and the lessons proceed in a pedagogical fashion to guide you from constructing basic shapes to making multiview drawings This textbook contains a series of eleven tutorial style lessons designed to introduce beginning CAD users to AutoCAD 2021 It takes a hands on exercise intensive approach to all the important 2D CAD techniques and concepts This text is also helpful to AutoCAD users upgrading from a previous release of the software The new improvements and key enhancements of the software are incorporated into the lessons The 2D CAD techniques and concepts discussed in this text are also designed to serve as the foundation to the more advanced parametric feature based CAD packages such as Autodesk Inventor The basic premise of this book is that the more designs you create using AutoCAD 2021 the better you learn the software With this in mind each lesson introduces a new set of commands and concepts building on previous lessons This book is intended to help readers establish a good basis for exploring and growing in the exciting field of Computer Aided Engineering Video Training Included with every new copy of AutoCAD 2021 Tutorial First Level 2D Fundamentals is access to extensive video training The video training parallels the exercises found in the text and is designed to be watched first before following the instructions in the book However the videos do more than just provide you with click by click instructions Author Luke Jumper also includes a brief discussion of each tool as well as rich insight into why and how the tools are used Luke isn t just telling you what to do he s showing and explaining to you how to go through the exercises while providing clear descriptions of the entire process It s like having him there guiding you through the book These videos will

provide you with a wealth of information and bring the text to life They are also an invaluable resource for people who learn best through a visual experience These videos deliver a comprehensive overview of the 2D tools found in AutoCAD and perfectly complement and reinforce the exercises in the book *AutoCAD 2007 Tutorial* Randy H. Shih,Jack E. Zecher,2006 This textbook contains a series of ten tutorial style lessons designed to introduce students to AutoCAD 2007 The new improvements and key enhancements of the software are incorporated into the lessons Students will learn to use the AutoCAD Heads up Design™ interface which means the students will learn to focus on the design not on the keyboard Table of Contents Introduction Getting Started 1 AutoCAD Fundamentals 2 Basic Object Construction Tools 3 Geometric Construction and Editing Tools 4 Object Properties and Organization 5 Orthographic Views in Multiview Drawings 6 Basic Dimensioning and Notes 7 Templates and Plotting 8 Auxiliary Views and Editing with GRIPS 9 Section Views 10 Assembly Drawings and Blocks

AutoCAD 2018 Tutorial First Level 2D Fundamentals Randy Shih,2017-08-25 The primary goal of AutoCAD 2018 Tutorial First Level 2D Fundamentals is to introduce the aspects of Computer Aided Design and Drafting CADD This text is intended to be used as a training guide for students and professionals This text covers AutoCAD 2018 and the lessons proceed in a pedagogical fashion to guide you from constructing basic shapes to making multiview drawings This textbook contains a series of eleven tutorial style lessons designed to introduce beginning CAD users to AutoCAD 2018 It takes a hands on exercise intensive approach to all the important 2D CAD techniques and concepts This text is also helpful to AutoCAD users upgrading from a previous release of the software The new improvements and key enhancements of the software are incorporated into the lessons The 2D CAD techniques and concepts discussed in this text are also designed to serve as the foundation to the more advanced parametric feature based CAD packages such as Autodesk Inventor The basic premise of this book is that the more designs you create using AutoCAD 2018 the better you learn the software With this in mind each lesson introduces a new set of commands and concepts building on previous lessons This book is intended to help readers establish a good basis for exploring and growing in the exciting field of Computer Aided Engineering

[AutoCAD 2024 Tutorial First Level 2D Fundamentals](#) Randy Shih,Luke Jumper,2023 Designed for users new to CAD Uses step by step tutorials to teach you 2D drawing using AutoCAD Covers the performance tasks found on the AutoCAD 2024 Certified User Examination Includes extensive video instruction The primary goal of AutoCAD 2024 Tutorial First Level 2D Fundamentals is to introduce the aspects of Computer Aided Design and Drafting CADD This text is intended to be used as a training guide for students and professionals This text covers AutoCAD 2024 and the lessons proceed in a pedagogical fashion to guide you from constructing basic shapes to making multiview drawings This textbook contains a series of twelve tutorial style lessons designed to introduce beginning CAD users to AutoCAD 2024 It takes a hands on exercise intensive approach to all the important 2D CAD techniques and concepts This text is also helpful to AutoCAD users upgrading from a previous release of the software The new improvements and key enhancements of the software are incorporated into the lessons The 2D CAD

techniques and concepts discussed in this text are also designed to serve as the foundation to the more advanced parametric feature based CAD packages such as Autodesk Inventor The basic premise of this book is that the more designs you create using AutoCAD 2024 the better you learn the software With this in mind each lesson introduces a new set of commands and concepts building on previous lessons This book is intended to help readers establish a good basis for exploring and growing in the exciting field of Computer Aided Engineering Video Training Included with every new copy of AutoCAD 2024 Tutorial First Level 2D Fundamentals is access to extensive video training There are forty six videos with more than five hours of training in total This video training parallels the exercises found in the text and is designed to be watched first before following the instructions in the book However the videos do more than just provide you with click by click instructions Author Luke Jumper also includes a brief discussion of each tool as well as rich insight into why and how the tools are used Luke isn t just telling you what to do he s showing and explaining to you how to go through the exercises while providing clear descriptions of the entire process It s like having him there guiding you through the book These videos will provide you with a wealth of information and bring the text to life They are also an invaluable resource for people who learn best through a visual experience These videos deliver a comprehensive overview of the 2D tools found in AutoCAD and perfectly complement and reinforce the exercises in the book

AutoCAD 2014 Tutorial - First Level: 2D Fundamentals Randy Shih,2013-05-05 The primary goal of AutoCAD 2014 Tutorial First Level 2D Fundamentals is to introduce the aspects of Computer Aided Design and Drafting CADD This text is intended to be used as a training guide for students and professionals This text covers AutoCAD 2014 and the lessons proceed in a pedagogical fashion to guide you from constructing basic shapes to making multiview drawings The lessons are further reinforced by the video presentations found on the enclosed multimedia disc This textbook contains a series of eleven tutorial style lessons designed to introduce beginning CAD users to AutoCAD 2014 It takes a hands on exercise intensive approach to all the important 2D CAD techniques and concepts This text is also helpful to AutoCAD users upgrading from a previous release of the software The new improvements and key enhancements of the software are incorporated into the lessons The 2D CAD techniques and concepts discussed in this text are also designed to serve as the foundation to the more advanced parametric feature based CAD packages such as Autodesk Inventor The basic premise of this book is that the more designs you create using AutoCAD 2014 the better you learn the software With this in mind each lesson introduces a new set of commands and concepts building on previous lessons This book is intended to help readers establish a good basis for exploring and growing in the exciting field of Computer Aided Engineering

AutoCAD 2022 Tutorial First Level 2D Fundamentals Randy Shih,Luke Jumper,2021-06 The primary goal of AutoCAD 2022 Tutorial First Level 2D Fundamentals is to introduce the aspects of Computer Aided Design and Drafting CADD This text is intended to be used as a training guide for students and professionals This text covers AutoCAD 2022 and the lessons proceed in a pedagogical fashion to guide you from constructing basic shapes to making multiview

drawings This textbook contains a series of twelve tutorial style lessons designed to introduce beginning CAD users to AutoCAD 2022 It takes a hands on exercise intensive approach to all the important 2D CAD techniques and concepts This text is also helpful to AutoCAD users upgrading from a previous release of the software The new improvements and key enhancements of the software are incorporated into the lessons The 2D CAD techniques and concepts discussed in this text are also designed to serve as the foundation to the more advanced parametric feature based CAD packages such as Autodesk Inventor The basic premise of this book is that the more designs you create using AutoCAD 2022 the better you learn the software With this in mind each lesson introduces a new set of commands and concepts building on previous lessons This book is intended to help readers establish a good basis for exploring and growing in the exciting field of Computer Aided Engineering Video Training Included with every new copy of AutoCAD 2022 Tutorial First Level 2D Fundamentals is access to extensive video training There are forty six videos with more than five hours of training in total This video training parallels the exercises found in the text and is designed to be watched first before following the instructions in the book However the videos do more than just provide you with click by click instructions Author Luke Jumper also includes a brief discussion of each tool as well as rich insight into why and how the tools are used Luke isn t just telling you what to do he s showing and explaining to you how to go through the exercises while providing clear descriptions of the entire process It s like having him there guiding you through the book These videos will provide you with a wealth of information and bring the text to life They are also an invaluable resource for people who learn best through a visual experience These videos deliver a comprehensive overview of the 2D tools found in AutoCAD and perfectly complement and reinforce the exercises in the book

AutoCAD 2016 Tutorial First Level 2D Fundamentals Randy Shih,2015-05 The primary goal of AutoCAD 2016 Tutorial First Level 2D Fundamentals is to introduce the aspects of Computer Aided Design and Drafting CADD This text is intended to be used as a training guide for students and professionals This text covers AutoCAD 2016 and the lessons proceed in a pedagogical fashion to guide you from constructing basic shapes to making multiview drawings This textbook contains a series of eleven tutorial style lessons designed to introduce beginning CAD users to AutoCAD 2016 It takes a hands on exercise intensive approach to all the important 2D CAD techniques and concepts This text is also helpful to AutoCAD users upgrading from a previous release of the software The new improvements and key enhancements of the software are incorporated into the lessons The 2D CAD techniques and concepts discussed in this text are also designed to serve as the foundation to the more advanced parametric feature based CAD packages such as Autodesk Inventor The basic premise of this book is that the more designs you create using AutoCAD 2016 the better you learn the software With this in mind each lesson introduces a new set of commands and concepts building on previous lessons This book is intended to help readers establish a good basis for exploring and growing in the exciting field of Computer Aided Engineering

Recognizing the mannerism ways to acquire this book **Autocad 2013 Tutorial Second Level** is additionally useful. You have remained in right site to begin getting this info. acquire the Autocad 2013 Tutorial Second Level colleague that we manage to pay for here and check out the link.

You could purchase lead Autocad 2013 Tutorial Second Level or acquire it as soon as feasible. You could speedily download this Autocad 2013 Tutorial Second Level after getting deal. So, similar to you require the ebook swiftly, you can straight get it. Its hence definitely easy and suitably fats, isnt it? You have to favor to in this aerate

https://yousky7.com/results/detail/default.aspx/biozone_as_biology_20answers.pdf

Table of Contents Autocad 2013 Tutorial Second Level

1. Understanding the eBook Autocad 2013 Tutorial Second Level
 - The Rise of Digital Reading Autocad 2013 Tutorial Second Level
 - Advantages of eBooks Over Traditional Books
2. Identifying Autocad 2013 Tutorial Second Level
 - Exploring Different Genres
 - Considering Fiction vs. Non-Fiction
 - Determining Your Reading Goals
3. Choosing the Right eBook Platform
 - Popular eBook Platforms
 - Features to Look for in an Autocad 2013 Tutorial Second Level
 - User-Friendly Interface
4. Exploring eBook Recommendations from Autocad 2013 Tutorial Second Level
 - Personalized Recommendations
 - Autocad 2013 Tutorial Second Level User Reviews and Ratings
 - Autocad 2013 Tutorial Second Level and Bestseller Lists
5. Accessing Autocad 2013 Tutorial Second Level Free and Paid eBooks

- Autocad 2013 Tutorial Second Level Public Domain eBooks
 - Autocad 2013 Tutorial Second Level eBook Subscription Services
 - Autocad 2013 Tutorial Second Level Budget-Friendly Options
6. Navigating Autocad 2013 Tutorial Second Level eBook Formats
- ePub, PDF, MOBI, and More
 - Autocad 2013 Tutorial Second Level Compatibility with Devices
 - Autocad 2013 Tutorial Second Level Enhanced eBook Features
7. Enhancing Your Reading Experience
- Adjustable Fonts and Text Sizes of Autocad 2013 Tutorial Second Level
 - Highlighting and Note-Taking Autocad 2013 Tutorial Second Level
 - Interactive Elements Autocad 2013 Tutorial Second Level
8. Staying Engaged with Autocad 2013 Tutorial Second Level
- Joining Online Reading Communities
 - Participating in Virtual Book Clubs
 - Following Authors and Publishers Autocad 2013 Tutorial Second Level
9. Balancing eBooks and Physical Books Autocad 2013 Tutorial Second Level
- Benefits of a Digital Library
 - Creating a Diverse Reading Collection Autocad 2013 Tutorial Second Level
10. Overcoming Reading Challenges
- Dealing with Digital Eye Strain
 - Minimizing Distractions
 - Managing Screen Time
11. Cultivating a Reading Routine Autocad 2013 Tutorial Second Level
- Setting Reading Goals Autocad 2013 Tutorial Second Level
 - Carving Out Dedicated Reading Time
12. Sourcing Reliable Information of Autocad 2013 Tutorial Second Level
- Fact-Checking eBook Content of Autocad 2013 Tutorial Second Level
 - Distinguishing Credible Sources
13. Promoting Lifelong Learning
- Utilizing eBooks for Skill Development

- Exploring Educational eBooks
14. Embracing eBook Trends
- Integration of Multimedia Elements
 - Interactive and Gamified eBooks

Autocad 2013 Tutorial Second Level Introduction

In the digital age, access to information has become easier than ever before. The ability to download Autocad 2013 Tutorial Second Level has revolutionized the way we consume written content. Whether you are a student looking for course material, an avid reader searching for your next favorite book, or a professional seeking research papers, the option to download Autocad 2013 Tutorial Second Level has opened up a world of possibilities. Downloading Autocad 2013 Tutorial Second Level provides numerous advantages over physical copies of books and documents. Firstly, it is incredibly convenient. Gone are the days of carrying around heavy textbooks or bulky folders filled with papers. With the click of a button, you can gain immediate access to valuable resources on any device. This convenience allows for efficient studying, researching, and reading on the go. Moreover, the cost-effective nature of downloading Autocad 2013 Tutorial Second Level has democratized knowledge. Traditional books and academic journals can be expensive, making it difficult for individuals with limited financial resources to access information. By offering free PDF downloads, publishers and authors are enabling a wider audience to benefit from their work. This inclusivity promotes equal opportunities for learning and personal growth. There are numerous websites and platforms where individuals can download Autocad 2013 Tutorial Second Level. These websites range from academic databases offering research papers and journals to online libraries with an expansive collection of books from various genres. Many authors and publishers also upload their work to specific websites, granting readers access to their content without any charge. These platforms not only provide access to existing literature but also serve as an excellent platform for undiscovered authors to share their work with the world. However, it is essential to be cautious while downloading Autocad 2013 Tutorial Second Level. Some websites may offer pirated or illegally obtained copies of copyrighted material. Engaging in such activities not only violates copyright laws but also undermines the efforts of authors, publishers, and researchers. To ensure ethical downloading, it is advisable to utilize reputable websites that prioritize the legal distribution of content. When downloading Autocad 2013 Tutorial Second Level, users should also consider the potential security risks associated with online platforms. Malicious actors may exploit vulnerabilities in unprotected websites to distribute malware or steal personal information. To protect themselves, individuals should ensure their devices have reliable antivirus software installed and validate the legitimacy of the websites they are downloading from. In conclusion, the ability to download Autocad 2013 Tutorial Second Level has transformed the way we access information. With the

convenience, cost-effectiveness, and accessibility it offers, free PDF downloads have become a popular choice for students, researchers, and book lovers worldwide. However, it is crucial to engage in ethical downloading practices and prioritize personal security when utilizing online platforms. By doing so, individuals can make the most of the vast array of free PDF resources available and embark on a journey of continuous learning and intellectual growth.

FAQs About Autocad 2013 Tutorial Second Level Books

1. Where can I buy Autocad 2013 Tutorial Second Level books? Bookstores: Physical bookstores like Barnes & Noble, Waterstones, and independent local stores. Online Retailers: Amazon, Book Depository, and various online bookstores offer a wide range of books in physical and digital formats.
2. What are the different book formats available? Hardcover: Sturdy and durable, usually more expensive. Paperback: Cheaper, lighter, and more portable than hardcovers. E-books: Digital books available for e-readers like Kindle or software like Apple Books, Kindle, and Google Play Books.
3. How do I choose a Autocad 2013 Tutorial Second Level book to read? Genres: Consider the genre you enjoy (fiction, non-fiction, mystery, sci-fi, etc.). Recommendations: Ask friends, join book clubs, or explore online reviews and recommendations. Author: If you like a particular author, you might enjoy more of their work.
4. How do I take care of Autocad 2013 Tutorial Second Level books? Storage: Keep them away from direct sunlight and in a dry environment. Handling: Avoid folding pages, use bookmarks, and handle them with clean hands. Cleaning: Gently dust the covers and pages occasionally.
5. Can I borrow books without buying them? Public Libraries: Local libraries offer a wide range of books for borrowing. Book Swaps: Community book exchanges or online platforms where people exchange books.
6. How can I track my reading progress or manage my book collection? Book Tracking Apps: Goodreads, LibraryThing, and Book Catalogue are popular apps for tracking your reading progress and managing book collections. Spreadsheets: You can create your own spreadsheet to track books read, ratings, and other details.
7. What are Autocad 2013 Tutorial Second Level audiobooks, and where can I find them? Audiobooks: Audio recordings of books, perfect for listening while commuting or multitasking. Platforms: Audible, LibriVox, and Google Play Books offer a wide selection of audiobooks.
8. How do I support authors or the book industry? Buy Books: Purchase books from authors or independent bookstores. Reviews: Leave reviews on platforms like Goodreads or Amazon. Promotion: Share your favorite books on social media

or recommend them to friends.

9. Are there book clubs or reading communities I can join? Local Clubs: Check for local book clubs in libraries or community centers. Online Communities: Platforms like Goodreads have virtual book clubs and discussion groups.
10. Can I read Autocad 2013 Tutorial Second Level books for free? Public Domain Books: Many classic books are available for free as they're in the public domain. Free E-books: Some websites offer free e-books legally, like Project Gutenberg or Open Library.

Find Autocad 2013 Tutorial Second Level :

[biozone as biology 20answers](#)

[biology paper 0610 32 o n09 mark scheme](#)

[*biomedical instrumentation and measurement solution manual*](#)

biology unit 1 study guide

[biozone year 1biology model answers](#)

[biology test answers glenco](#)

bipper service manual

[biology may june 2014 5090](#)

bipap harmony user manual uk

[biorhythms precalculus hs mathematics unit lesson 01](#)

[biology shark key answer](#)

[*biology study guide answers ms foglia*](#)

birth to big school

[*biology laboratory manual*](#)

[biology paper notes](#)

Autocad 2013 Tutorial Second Level :

let s do nothing by tony fucile near fine hardcover 2009 - Sep 22 2021

web jan 17 2001 let s do nothing is his first book tony fucile lives with his family in the san francisco bay area about this title may belong to another edition of this title store description internet based home business specializing in children s books craft books of all types and western americana

let s do nothing fucile tony free download borrow and - Jan 27 2022

web somerville mass candlewick press collection inlibrary printdisabled marygrovecollege internetarchivebooks americana contributor internet archive language english 1 v unpagged 30 cm after playing actively all day two friends learn something when they try to do nothing at all

let s do nothing harvard book store - Jul 01 2022

web apr 10 2012 format paperback isbn 9780763652692 don t move a master of animation explores the elusive art of doing nothing in this comical tale of two very active imaginations frankie and sal have already played every sport and board game invented baked and eaten batches of cookies and painted a zillion pictures

let s do nothing by tony fucile goodreads - May 11 2023

web may 4 2009 let s do nothing tony fucile 4 10 2 494 ratings305 reviews don t move a master of animation explores the elusive art of doing nothing in this comical tale of two very active imaginations frankie and sal have already played every sport and board game invented baked and eaten batches of cookies and painted a zillion pictures what s left

let s do nothing by tony fucile paperback barnes noble - Jan 07 2023

web apr 10 2012 after playing all kinds of games reading comic books and baking enough cookies to feed a small country two boys agree to do nothing for 10 seconds when sal the older child tells frankie that they are going to sit in chairs and pretend to be statues in the park the younger boy s imagination runs wild and ruins the

let s do nothing by tony fucile youtube - Sep 15 2023

web two kids try to do nothing but it is harder then they thought written and illustrated by tony fucile

let s do nothing philosophy learning and teaching organization - Aug 14 2023

web let s do nothing by toby fucile illustrates the perplexity of the concept of nothing the book tells the story of two boys who after concluding that they have done it all decide to do nothing the trouble is that doing nothing is

thomas e wartenberg let s do nothing philpapers - Feb 08 2023

web this chapter talks about tony fucile s amusing book let s do nothing this book straddles the boundary between metaphysics and the philosophy of language for the concept of nothing has been a very puzzling one to philosophers but before entering those murky waters let s see how sal and frankie fare in their attempt to do nothing

let s do nothing song and lyrics by bgm channel spotify - May 31 2022

web listen to let s do nothing on spotify bgm channel song 2021 bgm channel song 2021 your library create your first playlist it s easy we ll help you create playlist let s find some podcasts to follow we ll keep you updated on new episodes browse podcasts english resize main navigation preview of spotify sign up to get

let s do nothing amazon com - Oct 04 2022

web apr 10 2012 let s do nothing fucile tony fucile tony on amazon com free shipping on qualifying offers fucile tony fucile tony 9780763652692 amazon com books

let s do nothing plato - Mar 09 2023

web plot summary frankie and sal who decide that they have done it all try to think of what s left to do then a brilliant idea emerges frankie exclaims let s do nothing all throughout the day frankie and sal try to do nothing but actually doing nothing appears to be a lot harder than they had imagined

mrs key s story time let s do nothing youtube - Jun 12 2023

web mrs key s story time let s do nothing mrskeyfc 52 subscribers subscribe 34 share 13k views 13 years ago mrs key reads let s do nothing show more show

nothing chats is a new app that lets nothing phone 2 users - Feb 25 2022

web 2 days ago breaking through the green bubble barriers british tech company nothing announced that its phone 2 users will soon be able to send blue bubbles to iphones thanks to a new app blue bubbles on

nothing is bringing imessage to its android phone msn - Nov 24 2021

web nothing chats will let owners of the phone 2 send imessages to iphones it s the first time an android oem has integrated something like this into a device

let s do nothing center for philosophy for children - Dec 06 2022

web let s do nothing by toby fucile illustrates the perplexity of the concept of nothing the book tells the story of two boys who after concluding that they have done it all decide to do nothing the trouble is that doing nothing is

let s do nothing tony fucile google books - Apr 29 2022

web a hilarious debut told mainly through the zany artwork the pictures capture the universality of the moment school library journal starred review frankie and sal have already played every sport and board game invented baked and eaten batches of cookies and painted a zillion pictures what s left to do nothing ten seconds of nothing

let s do nothing by tony fucile 9780763652692 penguin - Apr 10 2023

web about let s do nothing a hilarious debut told mainly through the zany artwork the pictures capture the universality of the moment school library journal starred review frankie and sal have already played every sport and board game invented baked and eaten batches of cookies and painted a zillion pictures what s left

english phrase let s not do something phrasemix com - Aug 22 2021

web let s not do something when you want to suggest that people in a group not do something you can say let s not for example let s not go out tonight you can use let s not when you re suggesting something that you re sure the listener will agree with in the example above you think that everyone will agree that it s a good idea

q a with tony fucile let s do nothing teachervision - Nov 05 2022

web q a with tony fucile let s do nothing in this author interview children will read about tony fucile s interest in art and animation his career as a writer and the process of illustrating let s do nothing

[let s do nothing a sneetch is a sneetch and other](#) - Sep 03 2022

web mar 18 2013 this chapter talks about tony fucile s amusing book let s do nothing this book straddles the boundary between metaphysics and the philosophy of language for the concept of nothing has been a very puzzling one to philosophers but before entering those murky waters let s see how sal and frankie fare in their attempt to do nothing

let s do nothing tony fucile google books - Dec 26 2021

web after playing all kinds of games reading comic books and baking enough cookies to feed a small country two boys agree to do nothing for 10 seconds when sal the older child tells frankie that they are going to sit in chairs and pretend to be statues in the park the younger boy s imagination runs wild and ruins the moment he envisions a flock of pigeons

let s do nothing teaching children philosophy prindle institute - Oct 16 2023

web let s do nothing summary let s do nothing explores the concept of nothing and prompts further questions about language thinking and guidelines for philosophical discussion let s do nothing by tony fucile discusses the concept of nothing frankie and questions for philosophical discussion

matthew slater it s got nothing to do with coach belichick - Jul 21 2021

web nov 12 2023 slater a three time super bowl champion who has played for belichick since 2008 has his coach s back slater said he has as much faith in belichick as he s ever had he said there s no

let s do nothing kindle edition amazon com - Jun 19 2021

web may 4 2021 let s do nothing kindle edition by fucile tony fucile tony download it once and read it on your kindle device pc phones or tablets use features like bookmarks note taking and highlighting while reading let s do nothing

trump leads biden in nearly every battleground state new poll - Mar 29 2022

web nov 5 2023 voters in battleground states said they trusted donald j trump over president biden on the economy foreign policy and immigration as mr biden s multiracial base shows signs of fraying

[do nothing definition meaning merriam webster](#) - Aug 02 2022

web do nothing adjective marked by inactivity or failure to make positive progress

let s do nothing by tony fucile read by nora youtube - Jul 13 2023

web let s do nothing by tony fucile read by nora leelanau children s center 71 subscribers subscribe 1 9k views 2 years ago frankie and sal have already played every sport and board game

[epic v google here are your bingo cards for sundar pichai s](#) - Oct 24 2021

web 2 days ago want to print them out for the authentic experience be our guest unless you don t have a printer anymore for some reason of course there are no prizes but feel free to let us know in the

[parchment templates on pinterest](#) - Mar 30 2022

web craft patterns paper craft tools 119 richelieu scheme i gwd embroidery works embroidery motifs silk ribbon embroidery butterfly dragon monarch butterfly silhouette curio decoupage parchment craft specialist cardmaking stamping scrapbooking weddings china painting tole

judithmaslen free parchmant patterns - Apr 30 2022

web aug 12 2023 a simple christmas pattern for a little festival sparkle use glitter gel pens instead of pencils on the front of the parchment colour illustration of finished colour card pattern and instructions when printing this please ensure to change page scaling to none on the printer settings

parchment craft patterns pinterest - Jun 01 2022

web oct 30 2021 explore evelyn teo s board parchment craft patterns on pinterest see more ideas about parchment craft craft patterns parchment cards

[free patterns kanny parchment craft](#) - Feb 09 2023

web collection free patterns sort by featured best selling alphabetically a z alphabetically z a price low to high price high to low date old to new date new to old

how to parchment craft with pictures wikihow - Jan 08 2023

web apr 10 2021 part 1 creating and transferring your design 1 create a template on a sheet of paper you can draw the design directly onto the paper itself or you can find an image on the computer and print it out instead make sure that the lines are dark otherwise they won t be visible behind the parchment paper 2

free pergamano patterns for making cards card making world - May 12 2023

web may 20 2017 there are many parchment craft sites made by individuals scattered around the net from all around the world and some offer free patterns a quick google search will give you a multitude of different options

judith maslen parchment craft patterns facebook - Nov 06 2022

web judith maslen parchment craft patterns 661 likes 24 talking about this we are always adding new patterns to our website judithmaslen co uk this

[190 parchment craft patterns ideas pinterest](#) - Mar 10 2023

web nov 20 2017 explore karen johnson s board parchment craft patterns followed by 169 people on pinterest see more ideas about parchment craft parchment cards craft patterns pinterest

free parchment craft patterns parchment worldwide - Aug 15 2023

web below we are proud to offer some free patterns from several designers we ask only that when you make and display them that you credit the designer by saying from an original pattern by all these patterns are downloadable only and you will be sent a confirmation with the individual links to download the adobe file

loraine taylor pinterest - Jan 28 2022

web parchment inspiration patterns fall cards xmas cards hobbies and crafts crafts to make barbara gray blog art deco flowers parchment cards religious cross plate art art deco flowers 1 2 groovi border plates a4 set of 2 parchment craft poinsettia card anne constantly carding

welcome to parchment craft hobbies and crafts - Jul 02 2022

web throughout our parchment craft content we bring you step by step projects created by a team of highly talented contributors demonstrating a vast array of techniques to bring you a wide range of projects to develop your skills and make every parchment creation the best it

free parchment patterns on pinterest - Aug 03 2022

web black and white pansies poppy coloring page flower coloring pages coloring sheets mandala coloring drawing flowers painting flowers pergamano page 3 parchment design

free patterns art of parchment craft - Sep 04 2022

web free patterns art of parchment craft free patterns on occasion i will offer up a free pattern for you do check back often dabbing christmas tree pdf description of the card can be found here calla lily w bow pdf description of the card can be found here summer hummer pdf description of the card can be found here share this loading

parchment craft magazine parchment craft patterns and projects - Jun 13 2023

web parchment craft patterns and projects welcome to parchment craft hello and welcome to the parchment craft website which is packed full of parchment projects and crafting events beautiful and unique patterns inside every edition there s never been a

free parchment craft patterns card making downloads perfect pattern - Jul 14 2023

web may 8 2015 art nouveau coaster designs two free pattern downloads at last two free pattern downloads for coasters there will be more to come in this series these coaster are quick and easy to create with regular parchment craft paper a single needle tool and grid a fine line black pen and coloured pencils

gemini crafts free parchment craft patterns - Oct 05 2022

web aug 18 2014 this best wishes parchment craft tutorial please scroll down the page to view a sample of the design click the link at the very bottom to download this lesson for free the step by step tutorial shows pictures and written instructions at each stage traditional white work embossing styles

pca templates parchment worldwide - Dec 07 2022

web pca templates pca easy emboss templates suitable for parchment craft and cardmaking can be used with a lightbox
tp3455e easyemboss floral border chain 7 9 50 add to cart tp3454e easyemboss floral border chain 6 9 50 add to cart
tp3453e easyemboss dotted shell border chain 5 9 50 add to cart tp3439e

pergamano the official home of parchment craft - Apr 11 2023

web the official home of pergamano shop for tools grids and groovi plates for embossing perforating colouring and cutting
parchment paper learn to create with techniques patterns and guides

free christmas pergamano patterns parchment craft - Feb 26 2022

web 16 sept 2018 free christmas pergamano patterns parchment craft 16 sept 2018 free christmas pergamano patterns
parchment craft explore diy and crafts visit save from images search yahoo com lace painting free christmas pergamano
patterns parchment craft patterns free browse patterns

parchment grids templates patterns ecstasy crafts - Dec 27 2021

web ecstasy crafts pfc243235 3 parchment patterns flowers butterflies 1 29 5 15 add to cart save 7 72 ecstasy crafts spb016
ecstasy crafts exclusive piecing embossing templates ornamental 2 58 10 30 add to cart save 3 86 ecstasy crafts pfl010203 3
parchment patterns butterfly birds fish

the construction of european holocaust memory ger pdf - Mar 11 2023

web may 10 2023 complexities of german memory cultures the construction of war and holocaust memorials and the various
political debates and scandals surrounding the darkest chapter in german history

sell buy or rent the construction of european holocaust memory ger - Aug 04 2022

web the construction of european holocaust memory german and polish cinema after 1989 warsaw studies in jewish history
and memory

the construction of european holocaust memory german a - May 13 2023

web jan 1 2013 is a common european holocaust memory possible the author approaches this question by analyzi the
construction of european holocaust memory german and polish cinema after 1989 by malgorzata pakier goodreads

the construction of european holocaust memory german and - Jun 14 2023

web jul 30 2013 buy the construction of european holocaust memory german and polish cinema after 1989 3 warsaw studies
in jewish history and memory new by pakier malgorzata isbn 9783631619032 from amazon s book store everyday low prices
and free delivery on eligible orders

the construction of european holocaust memory ger book - Mar 31 2022

web memory ger european building construction illustrated feb 13 2023 the first european edition of francis dk ching s

classic visual guide to the basics of building construction for nearly four decades the us publication building construction illustrated has offered an outstanding introduction to the principles of building construction

[*the construction of european holocaust memory ger pdf*](#) - Feb 10 2023

web construction of european holocaust memory ger most likely you have knowledge that people have see numerous time for their favorite books with this the construction of european holocaust memory ger but stop going on in harmful downloads rather than enjoying a good book as soon as a mug of coffee in the afternoon then again they

[the construction of european holocaust memory german and](#) - Apr 12 2023

web jul 30 2013 the construction of european holocaust memory german and polish cinema after 1989 warsaw studies in jewish history and memory new edition by malgorzata pakier author see all formats and editions

the construction of european holocaust memory ger ftp bonide - Jun 02 2022

web the construction of a national socialist europe during the second world war the holocaust religion and the politics of collective memory enlightenment and genocide contradictions of modernity

[peter lang verlag the construction of european holocaust memory](#) - Aug 16 2023

web the construction of european holocaust memory german and polish cinema after 1989 by malgorzata pakier author 2013 thesis 192 pages history political science series warsaw studies in jewish history and memory volume 3 ebook for us 71 download immediately incl vat format pdf epub and mobi for all devices

[germany s holocaust memory problems georgetown journal of](#) - Jul 15 2023

web apr 20 2022 this article highlights the problems with germany s memory culture particularly in terms of what it excludes and argues that germany s approach to dealing with its nazi past should not be used as a model for other countries that face difficult histories

holocaust memorial data photos plans wikiarquitectura - Oct 06 2022

web introduction after 17 years of debate about how germany should remember the darkest chapter in its history finally built a memorial in berlin dedicated to the 6 million jews exterminated in the holocaust the design of u s architect peter eisenman was the winner among 553 projects presented during the 1995 and 1998 competitions

the construction of european holocaust memory ger - Feb 27 2022

web the rest of europe they offer a reflection on memory from an eastern european historical perspective one that can be measured against or applied to historical experience in other parts of europe in this way the authors situate studies on memory in eastern europe within the broader debate on european memory postwar germany and the holocaust

the construction of european holocaust memory overdrive - Nov 07 2022

web sep 16 2013 is a common european holocaust memory possible the author approaches this question by analyzing polish

and german cinema after 1989 and the public debates on the past that have surrounded the filmic narratives of all media cinema has exerted the broadest impact in the formation of collective memory regarding the

[the construction of european holocaust memory german and](#) - Jul 03 2022

web the construction of european holocaust memory german and polish cinema after 1989 warsaw studies in jewish history and memory band 3 by malgorzata pakier fellow phd european university institute florence is a mon european holocaust memory possible the author approaches this question by analyzing polish and german

[the making of holocaust trauma in german memory de gruyter](#) - Dec 08 2022

web eur euro gbp pound usd dollar en the making of holocaust trauma in german memory some reflection about robert thalheim s film and along come tourists in being jewish in 21st century germany edited by olaf glöckner and haim fireberg 31 45 berlin münchen boston de gruyter oldenbourg 2015

the construction of european holocaust memory german and - May 01 2022

web in the path of them is this the construction of european holocaust memory german and polish cinema after 1989 warsaw studies in jewish history and memory band 3 by malgorzata pakier that can be your collaborator

the construction of european holocaust memory german and - Jan 29 2022

web the construction of european holocaust memory german and polish cinema after 1989 warsaw studies in jewish history and memory band 3 by malgorzata pakier berlin holocaust places of memory outlook european holocaust memorial in landsberg germany the project federal foreign office supports new nationaal holocaust

the construction of european holocaust memory german and - Dec 28 2021

web the construction of european holocaust memory german and polish cinema after 1989 warsaw studies in jewish history and memory band 3 by malgorzata pakier the construction of european holocaust memory german and berlin holocaust places of memory outlook list of holocaust memorials and museums holocaust poland

[memorial to the murdered jews of europe wikipedia](#) - Sep 05 2022

web the memorial to the murdered jews of europe german denkmal für die ermordeten juden europas also known as the holocaust memorial german holocaust mahnmal is a memorial in berlin to the jewish victims of the holocaust designed by architect peter eisenman and buro happold

[the construction of european holocaust memory ger pdf](#) - Jan 09 2023

web feb 25 2023 the construction of european holocaust memory ger 1 10 downloaded from uniport edu ng on february 25 2023 by guest the construction of european holocaust memory ger when people should go to the book stores search commencement by shop shelf by shelf it is truly problematic this is why we offer the book compilations