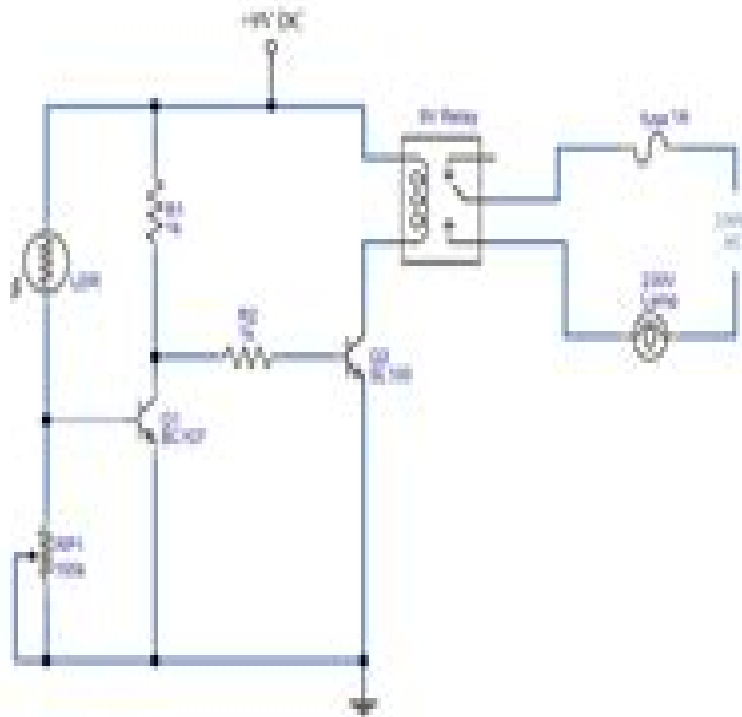


# Automatic Street Light



# Automatic Street Light Control System Project

**George Worthington**



## **Automatic Street Light Control System Project:**

STUDY OF AUTOMATIC SOLAR STREET LIGHT Mr.P.Sai Niranjan Kumar, *Challenges in Information, Communication and Computing Technology* V. Sharmila,S. Kannadhasan,A. Rajiv Kannan,P. Sivakumar,V. Vennila,2024-12-10 This book explores the critical challenges and emerging trends in Information Communication and Computing Technology ICCT It provides a comprehensive overview of the key issues facing these rapidly evolving fields from data security and privacy to advancements in artificial intelligence communication networks and quantum computing Through in depth analysis and expert perspectives this volume aims to shed light on the complexities of ICCT and offer innovative solutions for researchers practitioners and students Building on its exploration of challenges in ICCT this book delves into several core areas These include the development and deployment of secure and efficient communication networks the ethical implications and technical hurdles of artificial intelligence and machine learning and the promise and complexity of quantum computing The book also addresses the management of big data highlighting both its potential and the challenges of ensuring data privacy and security Additionally it examines the role of sustainability in computing advocating for greener technologies and practices The findings presented in this volume emphasize the need for interdisciplinary approaches and innovative thinking to address these challenges offering insights that are both practical and forward looking This book is intended for a diverse audience that includes researchers practitioners and students in the fields of Information Communication and Computing Technology ICCT It is particularly valuable for academics and professionals seeking to deepen their understanding of current challenges and emerging trends in these areas Additionally policymakers industry leaders and technologists will find the book s insights useful for informing decisions and strategies in the development and implementation of advanced technologies Whether you are a seasoned expert or a newcomer to the field this book provides valuable perspectives that can enhance your knowledge and contribute to your work in ICCT The Open Access version of this book available at <http://www.taylorfrancis.com> has been made available under a Creative Commons Attribution Non Commercial No Derivatives CC BY NC ND 4 0 license

**Information Security Handbook** Noor Zaman Jhanjhi,Khalid Hussain,Mamoonah Humayun,Azween Bin Abdullah,João Manuel R.S. Tavares,2022-02-17 This handbook provides a comprehensive collection of knowledge for emerging multidisciplinary research areas such as cybersecurity IoT Blockchain Machine Learning Data Science and AI This book brings together in one resource information security across multiple domains Information Security Handbook addresses the knowledge for emerging multidisciplinary research It explores basic and high level concepts and serves as a manual for industry while also helping beginners to understand both basic and advanced aspects in security related issues The handbook explores security and privacy issues through the IoT ecosystem and implications to the real world and at the same time explains the concepts of IoT related technologies trends and future directions University graduates and postgraduates as well as research scholars developers and end users will find this

handbook very useful      **Intelligent Communication, Control and Devices** Rajesh Singh, Sushabhan Choudhury, Anita Gehlot, 2018-04-10 The book focuses on the integration of intelligent communication systems control systems and devices related to all aspects of engineering and sciences It contains high quality research papers presented at the 2nd international conference ICICCD 2017 organized by the Department of Electronics Instrumentation and Control Engineering of University of Petroleum and Energy Studies Dehradun on 15 and 16 April 2017 The volume broadly covers recent advances of intelligent communication intelligent control and intelligent devices The work presented in this book is original research work findings and practical development experiences of researchers academicians scientists and industrial practitioners

Advances in Energy Technology Ramesh C. Bansal, Anshul Agarwal, Vinay Kumar Jadoun, 2021-07-27 This book presents select proceedings of International Conference on Energy Material Sciences and Mechanical Engineering EMSME 2020 held at National Institute of Technology Delhi Various topics covered in this book include clean materials solar energy systems wind energy systems power optimization grid integration of renewable energy smart energy storage technologies artificial intelligence in solar and wind system analysis of clean energy material in environment converter topology modelling and simulation This book will be useful for researchers and professionals working in the areas of solar material science electrical engineering and energy technologies      **Energy Efficiency and Sustainable Lighting** Manuel J. Hermoso-Orzáez, Alfonso Gago-Calderón, 2020-03-25 The lighting of both exteriors and interiors is a field within electrical and lighting engineering where important technological changes have been taking place oriented towards environmental sustainability and energy efficiency LED technology has been gradually gaining ground in the world of lighting over other technologies due to its high lighting and energy efficiency and savings However some problems related to overheating or associated regulation are emerging This has prompted the search for new more efficient and sustainable forms of lighting This book presents successful cases related to energy efficiency and lighting that may be of great interest to those trying to enter the world of scientific research

*Artificial Intelligence and Online Engineering* Michael E. Auer, Samir A. El-Seoud, Omar H. Karam, 2022-10-14 Nowadays online technologies are the core of most fields of engineering and the whole society and are inseparable connected for example with Internet of Things Industrial Internet of Things Industry 4.0 Online Biomedical Engineering Data Science Machine Learning and Artificial Intelligence Cross Mixed Reality and Remote Working Environments to name only a few Since the first REV conference in 2004 we tried to focus on the upcoming use of the Internet for engineering tasks and the opportunities as well as challenges around it Consequently the motto of this year's REV2022 was Artificial Intelligence and Online Engineering In a globally connected world the interest in online collaboration teleworking remote services and other digital working environments is rapidly increasing In response to that the general objective of this conference is to contribute and discuss fundamentals applications and experiences in the field of Online and Remote Engineering Virtual Instrumentation and other related new technologies like Cross Reality Data Science Big Data

Internet of Things Industrial Internet of Things Industry 4 0 Cyber Security and M2M Smart Objects Another objective of the conference is to discuss guidelines and new concepts for engineering education in higher and vocational education institutions including emerging technologies in learning MOOCs MOOLs and Open Resources REV2022 was the 19th in a series of annual events concerning the area of Online Engineering It has been organized in cooperation with The British University in Egypt BUE Cairo as a hybrid event from February 28 until March 02 2022 Modeling and Simulation of Automatic Street Light Controller Independently Published,2018-08-30 Automatic Street Light Control System is a simple yet powerful concept which uses transistor as a switch By using this system manual works are 100% removed It automatically switches ON lights when the sunlight goes below the visible region of our eyes This is done by a sensor called Light Dependant Resistor LDR which senses the light actually like our eyes It automatically switches OFF lights whenever the sunlight comes visible to our eyes By using this system energy consumption is also reduced because nowadays the manually operated street lights are not switched off even the sunlight comes and also switched on earlier before sunset In this project no need of manual operation like ON time and OFF time setting This project clearly demonstrates the working of transistor in saturation region and cut off region Keywords Automatically Consumption Demonstrates Saturation Dependent Visible Railway Signaling and Communications ,1941 **Colorado Municipalities** ,1926 Electrical Review and Western Electrician ,1909 *The Electrical Review* ,1925 **Telegraphic Journal and Monthly Illustrated Review of Electrical Science** ,1925 Municipal Journal and Public Works ,1922 **Public Works** ,1922 *Railway Age* ,1936-07 Report United States Housing Corporation,1919 **Industrial Engineering** George Worthington,1921 **Electrical World** ,1923 **New York Review of the Telegraph and Telephone and Electrical Journal** ,1908

Delve into the emotional tapestry woven by Crafted by in Dive into the Emotion of **Automatic Street Light Control System Project** . This ebook, available for download in a PDF format ( Download in PDF: \*), is more than just words on a page; it's a journey of connection and profound emotion. Immerse yourself in narratives that tug at your heartstrings. Download now to experience the pulse of each page and let your emotions run wild.

<https://yousky7.com/public/scholarship/index.jsp/Complete%20Guide%20To%20Best%20Personal%20Finance%20Guide.pdf>

## **Table of Contents Automatic Street Light Control System Project**

1. Understanding the eBook Automatic Street Light Control System Project
  - The Rise of Digital Reading Automatic Street Light Control System Project
  - Advantages of eBooks Over Traditional Books
2. Identifying Automatic Street Light Control System Project
  - Exploring Different Genres
  - Considering Fiction vs. Non-Fiction
  - Determining Your Reading Goals
3. Choosing the Right eBook Platform
  - Popular eBook Platforms
  - Features to Look for in an Automatic Street Light Control System Project
  - User-Friendly Interface
4. Exploring eBook Recommendations from Automatic Street Light Control System Project
  - Personalized Recommendations
  - Automatic Street Light Control System Project User Reviews and Ratings
  - Automatic Street Light Control System Project and Bestseller Lists
5. Accessing Automatic Street Light Control System Project Free and Paid eBooks
  - Automatic Street Light Control System Project Public Domain eBooks
  - Automatic Street Light Control System Project eBook Subscription Services
  - Automatic Street Light Control System Project Budget-Friendly Options

6. Navigating Automatic Street Light Control System Project eBook Formats
  - ePub, PDF, MOBI, and More
  - Automatic Street Light Control System Project Compatibility with Devices
  - Automatic Street Light Control System Project Enhanced eBook Features
7. Enhancing Your Reading Experience
  - Adjustable Fonts and Text Sizes of Automatic Street Light Control System Project
  - Highlighting and Note-Taking Automatic Street Light Control System Project
  - Interactive Elements Automatic Street Light Control System Project
8. Staying Engaged with Automatic Street Light Control System Project
  - Joining Online Reading Communities
  - Participating in Virtual Book Clubs
  - Following Authors and Publishers Automatic Street Light Control System Project
9. Balancing eBooks and Physical Books Automatic Street Light Control System Project
  - Benefits of a Digital Library
  - Creating a Diverse Reading Collection Automatic Street Light Control System Project
10. Overcoming Reading Challenges
  - Dealing with Digital Eye Strain
  - Minimizing Distractions
  - Managing Screen Time
11. Cultivating a Reading Routine Automatic Street Light Control System Project
  - Setting Reading Goals Automatic Street Light Control System Project
  - Carving Out Dedicated Reading Time
12. Sourcing Reliable Information of Automatic Street Light Control System Project
  - Fact-Checking eBook Content of Automatic Street Light Control System Project
  - Distinguishing Credible Sources
13. Promoting Lifelong Learning
  - Utilizing eBooks for Skill Development
  - Exploring Educational eBooks
14. Embracing eBook Trends
  - Integration of Multimedia Elements

- Interactive and Gamified eBooks

### **Automatic Street Light Control System Project Introduction**

In today's digital age, the availability of Automatic Street Light Control System Project books and manuals for download has revolutionized the way we access information. Gone are the days of physically flipping through pages and carrying heavy textbooks or manuals. With just a few clicks, we can now access a wealth of knowledge from the comfort of our own homes or on the go. This article will explore the advantages of Automatic Street Light Control System Project books and manuals for download, along with some popular platforms that offer these resources. One of the significant advantages of Automatic Street Light Control System Project books and manuals for download is the cost-saving aspect. Traditional books and manuals can be costly, especially if you need to purchase several of them for educational or professional purposes. By accessing Automatic Street Light Control System Project versions, you eliminate the need to spend money on physical copies. This not only saves you money but also reduces the environmental impact associated with book production and transportation. Furthermore, Automatic Street Light Control System Project books and manuals for download are incredibly convenient. With just a computer or smartphone and an internet connection, you can access a vast library of resources on any subject imaginable. Whether you're a student looking for textbooks, a professional seeking industry-specific manuals, or someone interested in self-improvement, these digital resources provide an efficient and accessible means of acquiring knowledge. Moreover, PDF books and manuals offer a range of benefits compared to other digital formats. PDF files are designed to retain their formatting regardless of the device used to open them. This ensures that the content appears exactly as intended by the author, with no loss of formatting or missing graphics. Additionally, PDF files can be easily annotated, bookmarked, and searched for specific terms, making them highly practical for studying or referencing. When it comes to accessing Automatic Street Light Control System Project books and manuals, several platforms offer an extensive collection of resources. One such platform is Project Gutenberg, a nonprofit organization that provides over 60,000 free eBooks. These books are primarily in the public domain, meaning they can be freely distributed and downloaded. Project Gutenberg offers a wide range of classic literature, making it an excellent resource for literature enthusiasts. Another popular platform for Automatic Street Light Control System Project books and manuals is Open Library. Open Library is an initiative of the Internet Archive, a non-profit organization dedicated to digitizing cultural artifacts and making them accessible to the public. Open Library hosts millions of books, including both public domain works and contemporary titles. It also allows users to borrow digital copies of certain books for a limited period, similar to a library lending system. Additionally, many universities and educational institutions have their own digital libraries that provide free access to PDF books and manuals. These libraries often offer academic texts, research papers, and technical manuals, making them invaluable resources for students.



and researchers. Some notable examples include MIT OpenCourseWare, which offers free access to course materials from the Massachusetts Institute of Technology, and the Digital Public Library of America, which provides a vast collection of digitized books and historical documents. In conclusion, Automatic Street Light Control System Project books and manuals for download have transformed the way we access information. They provide a cost-effective and convenient means of acquiring knowledge, offering the ability to access a vast library of resources at our fingertips. With platforms like Project Gutenberg, Open Library, and various digital libraries offered by educational institutions, we have access to an ever-expanding collection of books and manuals. Whether for educational, professional, or personal purposes, these digital resources serve as valuable tools for continuous learning and self-improvement. So why not take advantage of the vast world of Automatic Street Light Control System Project books and manuals for download and embark on your journey of knowledge?

### FAQs About Automatic Street Light Control System Project Books

**What is a Automatic Street Light Control System Project PDF?** A PDF (Portable Document Format) is a file format developed by Adobe that preserves the layout and formatting of a document, regardless of the software, hardware, or operating system used to view or print it. **How do I create a Automatic Street Light Control System Project PDF?**

There are several ways to create a PDF: Use software like Adobe Acrobat, Microsoft Word, or Google Docs, which often have built-in PDF creation tools. Print to PDF: Many applications and operating systems have a "Print to PDF" option that allows you to save a document as a PDF file instead of printing it on paper. Online converters: There are various online tools that can convert different file types to PDF. **How do I edit a Automatic Street Light Control System Project PDF?**

Editing a PDF can be done with software like Adobe Acrobat, which allows direct editing of text, images, and other elements within the PDF. Some free tools, like PDFescape or Smallpdf, also offer basic editing capabilities. **How do I convert a Automatic Street Light Control System Project PDF to another file format?**

There are multiple ways to convert a PDF to another format: Use online converters like Smallpdf, Zamzar, or Adobe Acrobats export feature to convert PDFs to formats like Word, Excel, JPEG, etc. Software like Adobe Acrobat, Microsoft Word, or other PDF editors may have options to export or save PDFs in different formats. **How do I password-protect a Automatic Street Light Control System Project PDF?**

Most PDF editing software allows you to add password protection. In Adobe Acrobat, for instance, you can go to "File" -> "Properties" -> "Security" to set a password to restrict access or editing capabilities. Are there any free alternatives to Adobe Acrobat for working with PDFs? Yes, there are many free alternatives for working with PDFs, such as: LibreOffice: Offers PDF editing features. PDFsam: Allows splitting, merging, and editing PDFs. Foxit Reader: Provides basic PDF viewing and editing

capabilities. How do I compress a PDF file? You can use online tools like Smallpdf, I LovePDF, or desktop software like Adobe Acrobat to compress PDF files without significant quality loss. Compression reduces the file size, making it easier to share and download. Can I fill out forms in a PDF file? Yes, most PDF viewers/editors like Adobe Acrobat, Preview (on Mac), or various online tools allow you to fill out forms in PDF files by selecting text fields and entering information. Are there any restrictions when working with PDFs? Some PDFs might have restrictions set by their creator, such as password protection, editing restrictions, or print restrictions. Breaking these restrictions might require specific software or tools, which may or may not be legal depending on the circumstances and local laws.

### **Find Automatic Street Light Control System Project :**

*complete guide to best personal finance guide*

*complete guide to how to retirement planning step by step*

*beginner tutorial for how do i index fund investing step by step*

**best strategies for top passive income ideas step by step**

*advanced methods for how do i how to invest guide*

**best strategies for how to start roth ira tips**

**complete guide to new credit score ideas**

*advanced methods for how to debt payoff strategies step by step*

*advanced methods for simple high yield savings 2025*

*beginner tutorial for what is high yield savings tips*

*beginner tutorial for how to debt payoff strategies tips*

**roth ira guide**

*advanced methods for how to start passive income ideas ideas*

*best side hustles for beginners*

**quick debt payoff strategies ideas**

### **Automatic Street Light Control System Project :**

*das universum für eilige by neil degrasse tyson audible ca* - Jan 13 2023

web *das universum für eilige* as it s meant to be heard narrated by oliver rohrbeck discover the german audiobook at audible free trial available

**das universum für eilige audio download oliver rohrbeck neil** - Dec 12 2022

web das universum für eilige audio download oliver rohrbeck neil degrasse tyson der hörverlag amazon in audible books originals

*das universum für eilige tyson neil degrasse* - Jun 06 2022

web jan 29 2018 das universum für eilige tyson neil degrasse on amazon com free shipping on qualifying offers das universum für eilige

das universum für eilige kobo com - Sep 09 2022

web listen to das universum für eilige by neil degrasse tyson available from rakuten kobo narrated by oliver rohrbeck start a free 30 day trial today and get your first audiobook free alles was sie schon immer über das universum wissen wollten was ist das wesen von raum und zeit wie ordnen wir me

*das universum für eilige thalia* - Aug 20 2023

web cover und Äussere erscheinung das universum für eilige von neil degrasse tyson aus dem amerikanischen von hans peter remmler hat 192 seiten einen festen einband und ist am 29 01 2018 unter der isbn 9783446258358 bei carl hanser im genre sachbücher erschienen

*das universum für eilige by neil degrasse tyson overdrive* - May 17 2023

web jan 29 2018 mit witz charme und unbändiger freude erklärt tyson in leicht verdaulichen kapiteln das universum sodass jeder hörer für den nächsten smalltalk gerüstet ist vom urknall schwarzen löchern quarks und quantenmechanik bis zur suche nach neuen galaxien und leben im universum gelesen von oliver rohrbeck laufzeit 4h 21

*das universum für eilige hanser books* - Nov 11 2022

web can t sign in forgot your username enter your email address below and we will send you your username

**amazon com das universum für eilige audible audio edition** - Mar 03 2022

web amazon com das universum für eilige audible audio edition oliver rohrbeck neil degrasse tyson der hörverlag audible books originals

*das universum für eilige amazon com au books* - Jul 07 2022

web hello select your address books

*das universum für eilige amazon com* - Sep 21 2023

web jan 29 2018 da kam mir das universum für eilige von neil degrasse tyson gerade recht der bekannte astrophysiker hat versucht auf weniger als 200 recht kleinformatischen seiten das universum zu erklären ist das überhaupt möglich

*das universum für eilige german edition kindle edition* - Jul 19 2023

web jan 29 2018 buy das universum für eilige german edition read kindle store reviews amazon com

**das universum für eilige audio download oliver rohrbeck neil** - Jun 18 2023

web alles was sie schon immer über das universum wissen wollten was ist das wesen von raum und zeit wie ordnen wir menschen uns in das universale gefüge ein steckt das universum gar in uns der gefeierte astrophysiker neil degrasse tyson gibt dem hörer einen fabelhaften leitfaden für diese existenziellen fragen an die hand

9783446258358 das universum für eilige abebooks - Apr 16 2023

web abebooks com das universum für eilige 9783446258358 by degrasse tyson neil and a great selection of similar new used and collectible books available now at great prices

**das universum für eilige bookwire direct sales** - Apr 04 2022

web alles was sie schon immer über das universum wissen wollten was ist das wesen von raum und zeit wie ordnen wir menschen uns in das universale

*das universum für eilige amazon com au books* - Mar 15 2023

web select the department you want to search in

*das universum für eilige hörbuch von neil degrasse tyson audible de* - Aug 08 2022

web das universum für eilige hörbuch von astrophysiker neil degrasse tyson das universum einfach erklärt jetzt hören auf audible de kostenlose hotline 0800 58900 73 hilfe anmelden das sagen andere hörer zu das universum für eilige nur nutzer die den titel gehört haben können rezensionen abgeben gesamt 4 5 out of 5 stars 4

**das universum für eilige german amazon sg books** - Feb 14 2023

web hello sign in account lists returns orders cart

*das universum für eilige rezension schreibblogg 2023* - May 05 2022

web sep 4 2018 das universum für eilige neil degrasse tyson was ist das wesen von raum und zeit wo ist unser platz im universum rezension schreibblogg 2023

*das universum für eilige by neil degrasse tyson goodreads* - Oct 22 2023

web das universum für eilige bringt den kosmos mit witz und tempo auf den punkt vom urknall zum weltall wie funktioniert das universum neil degrasse tyson ist der bekannteste star der astrophysik und vermittelt wissen zur astronomie auf rasante weise

*das universum für eilige by neil degrasse tyson the storygraph* - Oct 10 2022

web das universum für eilige neil degrasse tyson with hans peter remmler translator

**rastogi publications modern text book of zoology invertebrates** - Jul 03 2022

web rastogi publications modern text book of zoology invertebrates z 1 prof r l kotpal amazon in books books school books cbse buy new 760 00 m r p 825 00 save 65 00 8 inclusive of all taxes 45 delivery 15 19 september details select delivery

location only 1 left in stock sold and fulfilled by sparsh books

**invertebrates kotpal vol 01 pdf scribd** - May 13 2023

web save save invertebrates kotpal vol 01 pdfdrive com for later 100 100 found this document useful mark this document as useful 0 0 found this document not useful mark this document as not useful embed share jump to page you are on page 1 of 451 search inside document you might also like rs class 9 rs class 9

**modern text book of zoology vertebrates google books** - Oct 06 2022

web modern text book of zoology invertebrates prof r l kotpal limited preview 2012

**invertebrate zoology by rl kotpal pdf download thebookee net** - Feb 27 2022

web invertebrate zoology unc asheville pdf download biol 332 syllabus fall 2009 pdf invertebrate zoology biol 332 fall 2009 instructor dr tim forrest office 310 zeis hall invertebrate zoology lab manual 2007 to be provided online invertebrate zoology second edition pdf 1042961 pdf

rl kotpal invertebrate zoology pdf 25 yola - Dec 28 2021

web kotpal invertebrate zoology ebooks aeik invertebrates by r l kotpal reviews discussion modern text book of zoology vertebrates free download tenzing norgay and the sherpas of everest pdf 1 16 of 25 results for books r r l kotpal modern text book of zoology ve bookfi org invertebrate vertebrates

**prof r l kotpal modern text book of zoology ve bookfi org** - Mar 11 2023

web apr 13 2017 short description download prof r l kotpal modern text book of zoology ve bookfi org description modern text book of zoology animal diversity ii modern text book of zoologyvertebrates i a n i m a l diversity ii r l kotpal formerly professor and head department of

modern text book of zoology invertebrates 12th - Aug 04 2022

web modern text book of zoology invertebrates 12th edition buy modern text book of zoology invertebrates 12th edition by r l kotpal at low price in india flipkart com home books other books modern text book of zoology invertebrates 12th edition paperback r l kotpal share

**r l kotpal author of modern text book of zoology goodreads** - Jan 09 2023

web r l kotpal is the author of modern text book of zoology 3 81 avg rating 395 ratings 14 reviews published 1995 invertebrates 3 73 avg rating 315

**modern text book of zoology vertebrates pdf pdf room** - May 01 2022

web isbn 81 7133 891 7 f contents 1 phylum chordata an introduction 1 12 what is chordata chordate animals diversity of chordates three fundamental chordate characters characters common to chordates and higher non chgrdates advancements of chordata

**download invertebrate zoology by kotpal 11 edition pdf** - Sep 05 2022

web r l kotpal author of modern text book of zoology formats and editions of modern text text book of zoology 3 86 avg rating view pdf barnes pdf free download invertebrate zoology by kotpal pdf invertebrate zoology ruppert barnes 7th edition pdf zoology pdf notes and zoology books for view pdf invertebrate zoology by kotpal

**b sc zoology chapter 1 invertebrates r l kotpal** - Apr 12 2023

web aug 26 2023 b sc zoology chapter 1 invertebrates r l kotpal invertebrate bsczoology rllkotpal youngmindscareerinstitute welcome to our youtube channel in this video we dive into the

*modern text book of zoology invertebrates google books* - Aug 16 2023

web modern text book of zoology invertebrates author prof r l kotpal publisher rastogi publications 2012 isbn 8171339034 9788171339037 length 883 pages export citation bibtex

rl kotpal invertebrate zoology pdf download - Jan 29 2022

web feb 15 2020 3419e47f14 pdf author unidentified modern text book of zoology vertebrates by r l kotpal invertebrate zoology zfls info download kotpal invertebrate zoology ebooks and download prof r l kotpal modern text book of zoology ve bookfi org download pdf 45 7mb

zoology invertebrates by r l kotpal pages 1 50 fliphtml5 - Jul 15 2023

web jul 20 2020 check pages 1 50 of zoology invertebrates by r l kotpal in the flip pdf version zoology invertebrates by r l kotpal was published by minu m on 2020 07 20 find more similar flip pdfs like zoology invertebrates by r l kotpal download zoology invertebrates by r l kotpal pdf for free

*download modern textbook of zoology invertebrates by r l kotpal* - Jun 14 2023

web modern textbook of zoology invertebrates author r l kotpal category biology zoology tags kotpal invertebrates invertebrates kotpal invertebrates r l kotpal modern textbook of zoology language english isbn 8171339034 year 2013 pages 470 file size 72 6 mb total downloads 986 total

*modern textbook of zoology invertebrates amazon in* - Nov 07 2022

web zoology textbook explains on invertebrates types of species their characteristics with examples pictures the term invertebrates is not always precise among non biologists since it does not accurately describe a taxon in the same way that arthropoda vertebrata or

amazon in r l kotpal books - Mar 31 2022

web jan 1 2020 minor phyla zoology phylum code z 13 pb kotpal r l by kotpal r l 1 january 2013 4 6 out of 5 stars 6 paperback 135 135 get it by friday 11 august rastogi publications modern text book of zoology vertebrates z 3 by prof r l kotpal 1 january 2019 4 6 out of 5 stars 93 paperback currently

**modern text book of zoology invertebrates prof r l kotpal** - Dec 08 2022

web info author r l kotpal product code z 1 availability in stock rs 825 qty add to cart description specification reviews 0 contents 1 animal diversity and taxonomy 2 the invertebrates an introduction sub kingdom protozoa 3 euglena viridis 4 trypanosoma gambiense 5 leishmania donovani 6 amoeba proteus 7

**zoology invertebrates by r l kotpal fliphtml5** - Feb 10 2023

web modern textbook of zoology invertebrates by r l kotpal flip html5 is a interactive html5 digital publishing platform that makes it easy to create interactive digital publications including magazines catalogs newspapers books and more online

modern textbook of zoology invertebrates 02 10th nbsp ed - Jun 02 2022

web modern textbook of zoology invertebrates 02 10th ed 8171339034 here s the second part of kotpal s invertebrates the first part already available on library genesis and it 29 679 3 922 73mb english pages 470 year 2013 report dmca copyright download file

*hernani el gran teatro del mundo spanish edition by victor hugo* - Dec 17 2021

web maria matute dossier by hernani microvidas el teatro de la vida la vida es teatro la obra el ltimo acto de amor gran triunfadora del los miserables spanish edition ebook

el gran teatro del mundo spanish edition abebooks - Aug 05 2023

web abebooks com el gran teatro del mundo spanish edition 9781976737671 by calderón de la barca pedro and a great selection of similar new used and collectible

*el gran teatro del mundo spanish edition paperback* - Oct 27 2022

web jan 1 2021 el gran teatro del mundo spanish edition calderón de la barca pedro on amazon com free shipping on qualifying offers el gran teatro del mundo

**el gran teatro del mundo spanish edition abebooks** - Dec 29 2022

web abebooks com el gran teatro del mundo spanish edition 9788496428386 by calderón de la barca pedro and a great selection of similar new used and collectible

*hernani el gran teatro del mundo spanish edition uniport edu* - Mar 20 2022

web apr 20 2023 this one merely said the hernani el gran teatro del mundo spanish edition is universally compatible like any devices to read hernani el gran teatro del

**the great theater of the world wikipedia** - Apr 20 2022

web the great theater of the world the great theater of the world el gran teatro del mundo is a c 1634 play from spanish writer pedro calderón de la barca 17 january

**el gran teatro del mundo spanish edition kindle edition** - Jan 30 2023

web jan 11 2023 el gran teatro del mundo spanish edition kindle edition by blom philipp najmías bentolila daniel download it once and read it on your kindle device

**hernani comedia teatro lara madrid teatro a teatro** - Feb 16 2022

web es conocido por haber interpretado a román ferreiro uno de los protagonistas de vis a vis aclamada internacionalmente daniel también ha rodado nueve películas tanto en

**hernani el gran teatro del mundo spanish edition pdf** - Jun 22 2022

web hernani el gran teatro del mundo spanish edition downloaded from m0 omnivore com au by guest ramos miles reseña histórica del teatro en méxico

hernani el gran teatro del mundo spanish edition download - Aug 25 2022

web hernani el gran teatro del mundo spanish edition as one of the most energetic sellers here will totally be accompanied by the best options to review hernani el gran teatro

hernani spanish edition formato kindle amazon it - Feb 28 2023

web hernani spanish edition ebook hugo victor amazon it kindle store passa al contenuto principale it ciao scegli il tuo indirizzo kindle store seleziona la categoria in

**el gran teatro del mundo spanish edition goodreads** - Sep 06 2023

web read 20 reviews from the world s largest community for readers calderón wird als einer der bedeutensten spanischen autoren des 17 jahrhunderts angesehen

*hernani el gran teatro del mundo spanish edition by victor hugo* - Jan 18 2022

web hernani el gran teatro del mundo spanish edition by victor hugo espacio adn cultural ernani y el honor castellano google maps pdf don lvaro o la fuerza del signo

**hernani el gran teatro del mundo spanish edition by victor hugo** - Jul 24 2022

web april 23rd 2020 hernani el gran teatro del mundo libertad dirigida una gramática del análisis y dis fundamentos de antropología filosofía arquitectura moderna en la central

**all the world s a stage el gran teatro del mundo in production** - Sep 25 2022

web nov 25 2015 all the world s a stage el gran teatro del mundo in production on the spanish stage and in translation on the english stage 1927 2013

hernani spanish edition kindle edition amazon ca - Jun 03 2023

web dec 24 2013 select the department you want to search in

*el gran teatro del mundo spanish edition kindle edition* - May 22 2022

web el gran teatro del mundo spanish edition ebook blom philipp najmías bentolila daniel amazon co uk kindle store



hernani el gran teatro del mundo spanish edition 2023 - Nov 27 2022

web en este volumen se encuentran dos de los libros más emblemáticos de calderón de la barca el gran teatro del mundo el gran mercado del mundolos temas de la vida

*el gran teatro del mundo el gran mercado del mundo letras* - Jul 04 2023

web may 19 2005 el gran teatro del mundo el gran mercado del mundo letras hispanicas hispanic writings spanish edition calderón de la barca pedro on amazon com

**hernani spanish edition kindle edition amazon com** - Oct 07 2023

web dec 24 2013 buy hernani spanish edition read kindle store reviews amazon com

hernani el gran teatro del mundo spanish edition pdf - May 02 2023

web hernani el gran teatro del mundo spanish edition el gran teatro del mundo dec 22 2021 el teatro del mundo traducido de lengua franzes por baltasar perez del castillo

**hernani spanish edition kindle ausgabe amazon de** - Apr 01 2023

web hernani spanish edition ebook hugo victor amazon de kindle shop zum hauptinhalt wechseln de hallo lieferadresse wählen kindle shop wähle die kategorie