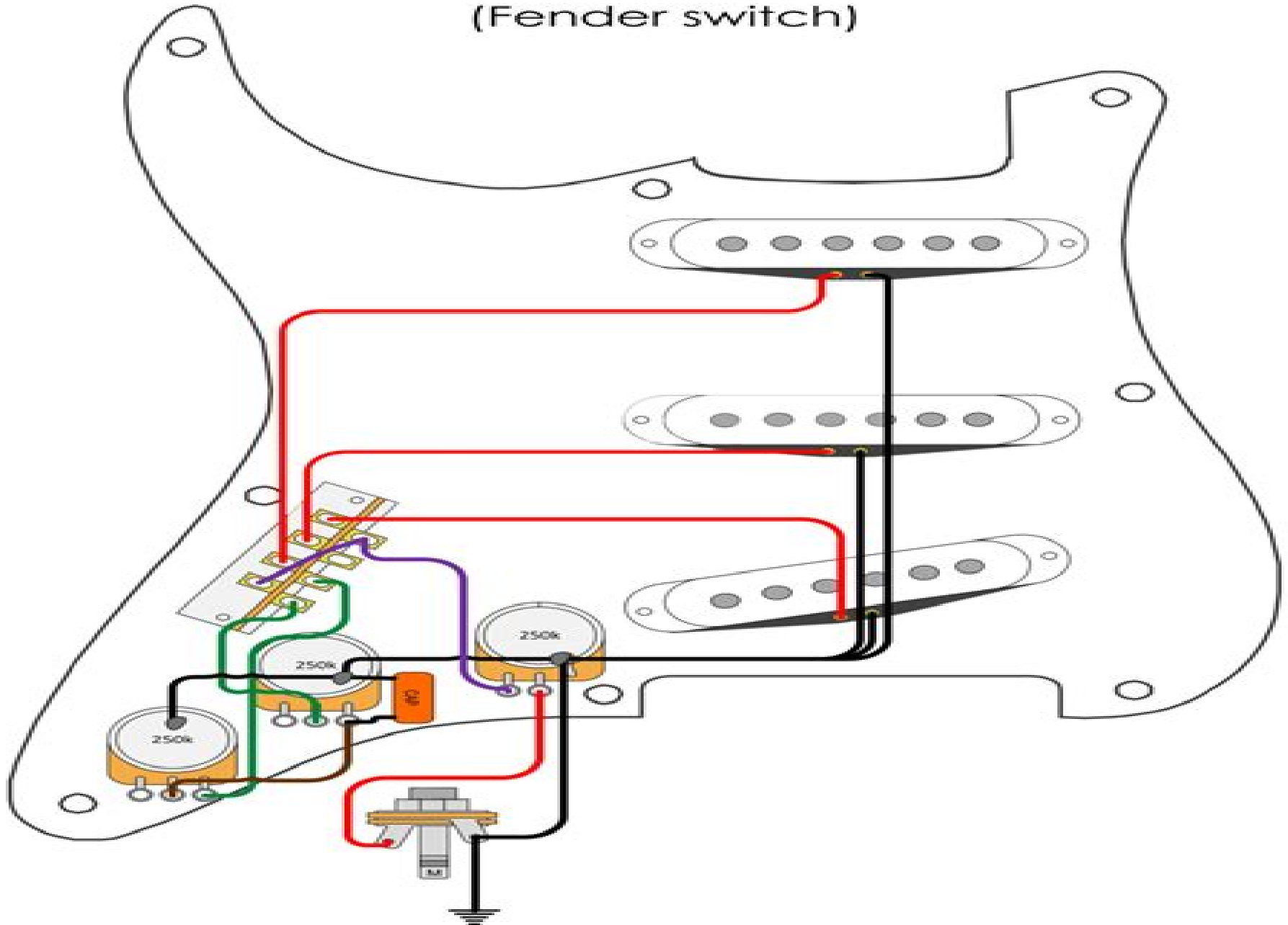


# Standard Strat

(Fender switch)



# Electric Guitar Wiring Schematics

**Will Kelly**



## **Electric Guitar Wiring Schematics:**

*Electric Guitar Construction* Tom Hirst, 2003 A guide for the first time builder The definitive work on the design and construction of a solid body electric guitar back cover     [How to Build Electric Guitars](#) Will Kelly, 2012-06-15 In the past few years the market for electric guitar kits and parts has exploded For every two enthusiasts there are four opinions on how properly to fill woodgrain In this book Will Kelly cuts through all that noise and shows how with a little patience and some inexpensive tools the average person can turn a modest investment into a gig worthy instrument and perhaps even a lifelong hobby Kelly presents guitar building in a progressive fashion beginning with a simple Stratocaster style kit with a bolt on neck and continuing on to a relic d Telecaster style build two Gibson style set neck models and a custom double neck mash up Because each build is more involved than the previous the reader builds on his or her skill set and acquires only the tools necessary for the reader s level of interest Kelly shows how to apply finishes choose and install hardware wire electronics execute the final assembly and set up the finished guitar for proper action and intonation     **Small Signal Audio Design** Douglas Self, 2023-12-22 Small Signal Audio Design is a highly practical handbook providing an extensive repertoire of circuits that can be assembled to make almost any type of audio system This fully revised fourth edition offers wholly new content on internally balanced audio design electret microphones emitter follower stability microphony in capacitors and much much more This book continues the engaging prose style familiar to readers as you learn why mercury filled cables are not a good idea the pitfalls of plating gold on copper and what quotes from Star Trek have to do with PCB design Learn how to make amplifiers with apparently impossibly low noise design discrete circuitry that can handle enormous signals with vanishingly low distortion transform the performance of low cost opamps build active filters with very low noise and distortion while saving money on expensive capacitors make incredibly accurate volume controls make a huge variety of audio equalisers use load synthesis to make magnetic cartridge preamplifiers that have noise so low it is limited by basic physics sum switch clip compress and route audio signals build simple but ultra low noise power supplies be confident that phase perception is not an issue Including all the crucial theories but with minimal mathematics Small Signal Audio Design is the must have companion for anyone studying researching or working in audio engineering and audio electronics     *Make Your Own Electric Guitar and Bass* Dennis Waring, David Raymond, 2001 Presents detailed instructions for building a standard 6 string solid body model guitar and bass using common tools and easy to order materials and providing resources for obtaining electronic components and other hardware Includes pictures and diagrams of each aspect of the construction body shape bridge types neck and headstock cutting and shaping and assembly     **Guitar Setup, Maintenance & Repair** John Levan, 2011-02-24 This guide will use photographs diagrams and sketches made by the author and some provided by various manufacturers to teach how to clean condition adjust the action and properly intonate your acoustic guitar as well as John s trade secrets on hand carving bone nuts and bridge saddles wiring and fretwork John has also included a chapter on

identifying and diagnosing problem guitars It even includes a forward written by Bob Taylor of Taylor Guitars This book is perfect to teach a beginner or a reference for the guitar repair professional Practical Audio Electronics Kevin Robinson,2020-02-10 Practical Audio Electronics is a comprehensive introduction to basic audio electronics and the fundamentals of sound circuit building providing the reader with the necessary knowledge and skills to undertake projects from scratch Imparting a thorough foundation of theory alongside the practical skills needed to understand build modify and test audio circuits this book equips the reader with the tools to explore the sonic possibilities that emerge when electronics technology is applied innovatively to the making of music Suitable for all levels of technical proficiency this book encourages a deeper understanding through highlighted sections of advanced material and example projects including circuits to make alter and amplify audio providing a snapshot of the wide range of possibilities of practical audio electronics An ideal resource for students hobbyists musicians audio professionals and those interested in exploring the possibilities of hardware based sound and music creation *American Lutherie* ,2003 Building Electric Guitars Martin Koch,2001-08 Explains step by step with almost 600 photos and more than 100 illustrations how to build an electric guitar Back cover **Quarterly - [The Guild of American Luthiers]**. Guild of American Luthiers,1979 **Electrical Experimenter** ,1921 *The New Book of Standard Wiring Diagrams* Les Schatten,2003 **Munsey's Magazine** ,1927 **The Electric Guitar** Donald Brosnac,1975 **Trunk Connections ; Resistance Coils and Cables ; Railway Motors ; Simple Control Circuits ; Series-parallel Control ; Metallic-return Systems ; Car-wiring Diagrams ; Electric Car Heating and Lighting ; Hand-brakes** International Correspondence Schools,1907 **TRUNK CONNECTIONS, RESISTANCE COILS AND CABLES, RAILWAY MOTORS, SIMPLE CONTROL CIRCUITS, SERIES-PARALLEL CONTROL, METALLIC-RETURN SYSTEMS, CAR-WIRING DIAGRAMS, ELECTRIC CAR HEATING AND LIGHTING, HAND-BRAKES, ALTERNATING CURRENTS , MULTIPLE-UNIT SYSTEMS, S** International Correspondence Schools,1909 **Popular Mechanics Magazine** ,1927 *Electric Guitar Amplifier Handbook* Jack Darr,1971 Educational Media Technician State University of New York Agricultural and Technical Institute (Alfred, N.Y.),1975 **Popular Science Monthly** ,1925 **Practical Videography** Robert Bernard,1990

Eventually, you will definitely discover a other experience and skill by spending more cash. nevertheless when? do you believe that you require to get those all needs bearing in mind having significantly cash? Why dont you attempt to acquire something basic in the beginning? Thats something that will lead you to understand even more something like the globe, experience, some places, next history, amusement, and a lot more?

It is your unquestionably own become old to achievement reviewing habit. in the course of guides you could enjoy now is **Electric Guitar Wiring Schematics** below.

<https://yousky7.com/files/scholarship/HomePages/best%20strategies%20for%20ultimate%20ai%20for%20students%20for%200beginners.pdf>

## **Table of Contents Electric Guitar Wiring Schematics**

1. Understanding the eBook Electric Guitar Wiring Schematics
  - The Rise of Digital Reading Electric Guitar Wiring Schematics
  - Advantages of eBooks Over Traditional Books
2. Identifying Electric Guitar Wiring Schematics
  - Exploring Different Genres
  - Considering Fiction vs. Non-Fiction
  - Determining Your Reading Goals
3. Choosing the Right eBook Platform
  - Popular eBook Platforms
  - Features to Look for in an Electric Guitar Wiring Schematics
  - User-Friendly Interface
4. Exploring eBook Recommendations from Electric Guitar Wiring Schematics
  - Personalized Recommendations
  - Electric Guitar Wiring Schematics User Reviews and Ratings
  - Electric Guitar Wiring Schematics and Bestseller Lists

5. Accessing Electric Guitar Wiring Schematics Free and Paid eBooks
  - Electric Guitar Wiring Schematics Public Domain eBooks
  - Electric Guitar Wiring Schematics eBook Subscription Services
  - Electric Guitar Wiring Schematics Budget-Friendly Options
6. Navigating Electric Guitar Wiring Schematics eBook Formats
  - ePub, PDF, MOBI, and More
  - Electric Guitar Wiring Schematics Compatibility with Devices
  - Electric Guitar Wiring Schematics Enhanced eBook Features
7. Enhancing Your Reading Experience
  - Adjustable Fonts and Text Sizes of Electric Guitar Wiring Schematics
  - Highlighting and Note-Taking Electric Guitar Wiring Schematics
  - Interactive Elements Electric Guitar Wiring Schematics
8. Staying Engaged with Electric Guitar Wiring Schematics
  - Joining Online Reading Communities
  - Participating in Virtual Book Clubs
  - Following Authors and Publishers Electric Guitar Wiring Schematics
9. Balancing eBooks and Physical Books Electric Guitar Wiring Schematics
  - Benefits of a Digital Library
  - Creating a Diverse Reading Collection Electric Guitar Wiring Schematics
10. Overcoming Reading Challenges
  - Dealing with Digital Eye Strain
  - Minimizing Distractions
  - Managing Screen Time
11. Cultivating a Reading Routine Electric Guitar Wiring Schematics
  - Setting Reading Goals Electric Guitar Wiring Schematics
  - Carving Out Dedicated Reading Time
12. Sourcing Reliable Information of Electric Guitar Wiring Schematics
  - Fact-Checking eBook Content of Electric Guitar Wiring Schematics
  - Distinguishing Credible Sources
13. Promoting Lifelong Learning

- Utilizing eBooks for Skill Development
  - Exploring Educational eBooks
14. Embracing eBook Trends
- Integration of Multimedia Elements
  - Interactive and Gamified eBooks

### **Electric Guitar Wiring Schematics Introduction**

Free PDF Books and Manuals for Download: Unlocking Knowledge at Your Fingertips In today's fast-paced digital age, obtaining valuable knowledge has become easier than ever. Thanks to the internet, a vast array of books and manuals are now available for free download in PDF format. Whether you are a student, professional, or simply an avid reader, this treasure trove of downloadable resources offers a wealth of information, conveniently accessible anytime, anywhere. The advent of online libraries and platforms dedicated to sharing knowledge has revolutionized the way we consume information. No longer confined to physical libraries or bookstores, readers can now access an extensive collection of digital books and manuals with just a few clicks. These resources, available in PDF, Microsoft Word, and PowerPoint formats, cater to a wide range of interests, including literature, technology, science, history, and much more. One notable platform where you can explore and download free Electric Guitar Wiring Schematics PDF books and manuals is the internet's largest free library. Hosted online, this catalog compiles a vast assortment of documents, making it a veritable goldmine of knowledge. With its easy-to-use website interface and customizable PDF generator, this platform offers a user-friendly experience, allowing individuals to effortlessly navigate and access the information they seek. The availability of free PDF books and manuals on this platform demonstrates its commitment to democratizing education and empowering individuals with the tools needed to succeed in their chosen fields. It allows anyone, regardless of their background or financial limitations, to expand their horizons and gain insights from experts in various disciplines. One of the most significant advantages of downloading PDF books and manuals lies in their portability. Unlike physical copies, digital books can be stored and carried on a single device, such as a tablet or smartphone, saving valuable space and weight. This convenience makes it possible for readers to have their entire library at their fingertips, whether they are commuting, traveling, or simply enjoying a lazy afternoon at home. Additionally, digital files are easily searchable, enabling readers to locate specific information within seconds. With a few keystrokes, users can search for keywords, topics, or phrases, making research and finding relevant information a breeze. This efficiency saves time and effort, streamlining the learning process and allowing individuals to focus on extracting the information they need. Furthermore, the availability of free PDF books and manuals fosters a culture of continuous learning. By removing financial barriers, more people can access educational resources and pursue lifelong learning, contributing to

personal growth and professional development. This democratization of knowledge promotes intellectual curiosity and empowers individuals to become lifelong learners, promoting progress and innovation in various fields. It is worth noting that while accessing free Electric Guitar Wiring Schematics PDF books and manuals is convenient and cost-effective, it is vital to respect copyright laws and intellectual property rights. Platforms offering free downloads often operate within legal boundaries, ensuring that the materials they provide are either in the public domain or authorized for distribution. By adhering to copyright laws, users can enjoy the benefits of free access to knowledge while supporting the authors and publishers who make these resources available. In conclusion, the availability of Electric Guitar Wiring Schematics free PDF books and manuals for download has revolutionized the way we access and consume knowledge. With just a few clicks, individuals can explore a vast collection of resources across different disciplines, all free of charge. This accessibility empowers individuals to become lifelong learners, contributing to personal growth, professional development, and the advancement of society as a whole. So why not unlock a world of knowledge today? Start exploring the vast sea of free PDF books and manuals waiting to be discovered right at your fingertips.

### **FAQs About Electric Guitar Wiring Schematics Books**

How do I know which eBook platform is the best for me? Finding the best eBook platform depends on your reading preferences and device compatibility. Research different platforms, read user reviews, and explore their features before making a choice. Are free eBooks of good quality? Yes, many reputable platforms offer high-quality free eBooks, including classics and public domain works. However, make sure to verify the source to ensure the eBook credibility. Can I read eBooks without an eReader? Absolutely! Most eBook platforms offer web-based readers or mobile apps that allow you to read eBooks on your computer, tablet, or smartphone. How do I avoid digital eye strain while reading eBooks? To prevent digital eye strain, take regular breaks, adjust the font size and background color, and ensure proper lighting while reading eBooks. What the advantage of interactive eBooks? Interactive eBooks incorporate multimedia elements, quizzes, and activities, enhancing the reader engagement and providing a more immersive learning experience. Electric Guitar Wiring Schematics is one of the best book in our library for free trial. We provide copy of Electric Guitar Wiring Schematics in digital format, so the resources that you find are reliable. There are also many Ebooks of related with Electric Guitar Wiring Schematics. Where to download Electric Guitar Wiring Schematics online for free? Are you looking for Electric Guitar Wiring Schematics PDF? This is definitely going to save you time and cash in something you should think about.



## Find Electric Guitar Wiring Schematics :

[best strategies for ultimate ai for students for beginners](#)

[advanced methods for how to ai automation](#)

[complete guide to why ai for students step by step](#)

[complete guide to best ai for students guide](#)

[beginner tutorial for best ai for teachers guide](#)

[best strategies for simple ai business ideas for beginners](#)

[advanced methods for trending ai writing assistant tips](#)

[best strategies for how to ai image generator 2025](#)

[beginner tutorial for ultimate ai chatbot for website guide](#)

### **trending ai writing assistant for beginners**

[complete guide to top ai tools ideas](#)

[complete guide to how do i ai for teachers 2025](#)

[top chatgpt prompts step by step](#)

### **beginner tutorial for simple ai seo tools step by step**

[advanced methods for how to start ai video generator for beginners](#)

## Electric Guitar Wiring Schematics :

Wiring Diagrams Wiring Diagrams. S1/A/S2/A · Early H1 w/CDI · S1B/C/S3/A · Early H1 w/CDI (edited) ... H2/H1D Stator · Home. Service Manuals - Pinterest Sep 27, 2019 - Repair and Service Manuals including wiring diagrams and carburetor jetting specifications. 2015 bf 750 stator wire diagram. Oct 17, 2021 — I've put a 08 engine in the 2015 but wiring for the stator is different. I plugged in every wire that would but two of the stator wire plugs ... Wiring diagrams Aug 25, 2021 — Hey does anybody have or know where I can get a wiring diagram for my 07 500r. Want to put my tail light and signals on. Thanks! 2006 Vulcan 900 Stator schematic. Oct 2, 2016 — I am in need of a stator schematic. The previous owner ruined the wiring ... Looking closer at the diagrams, it appears that Kawasaki calls out ... [86-07] - wiring diagram | Kawasaki Ninja 250R ... Dec 13, 2015 — Here you go. Caution!!! The OEM ignition switch has a 100 ohm resistor, without it the bike won't start, it's an anti-thief feature. PM310, 23hp Kawasaki Wiring Diagram Gravely 990020 (001000 - ) PM310, 23hp Kawasaki Wiring Diagram Exploded View parts lookup by model. Complete exploded views of all the major manufacturers. Kawasaki Barako BC 175 Electrical Wiring Update Aug 11, 2017 — If there are no problems on the wirings and connectors; 2. Check

the input to the VR, there are two wires coming from the charging coils. One is ... Global Regents Review Packet 17 Base your answer to the following question on the excerpt below and on your knowledge of social studies. This excerpt is taken from a poem written about World ... REGENTS EXAM IN GLOBAL HISTORY AND ... Aug 13, 2019 — This examination has three parts. You are to answer all questions in all parts. Use black or dark-blue ink to write your answers to Parts II and ... Global History Regents Review | June 2023 Multiple-Choice ... GLOBAL REGENTS REVIEW PACKET 15 - PAGE 1 of 29 GLOBAL REGENTS REVIEW PACKET 15 - PAGE 18 of 29. Base your answers to the following two questions on the statements below and on your knowledge of social ... U.S. HISTORY AND GOVERNMENT New York State Regents Review: U.S. History and Government is a review text for students preparing to take the 11th-grade New York State Regents examination. Global History Regents Review: Practice Test From ... - YouTube REGENTS EXAM IN GLOBAL HISTORY AND ... Jan 23, 2020 — This examination has three parts. You are to answer all questions in all parts. Use black or dark-blue ink to write your answers to Parts II and ... Global History and Geography II Rating Guide January 2023 Jan 26, 2023 — in the Information Booklet for Scoring the Regents Examination in Global History and Geography II. Rating the CRQ (open-ended) Questions. (1) ... regents united state history and government Short review notes for the entire U.S. history course focusing on material covered on the NY State Regents multiple-choice section. Additionally, provides. Guerrilla Warfare in the American Revolution | Tactics & ... Explore privateering, mixed warfare, and guerrilla tactics in the Revolutionary War. Discover the effects of Revolutionary War tactics on the outcome of ... 1977 Buick Regal Market There are 41 1977 Buick Regal for sale right now - Follow the Market and get notified with new listings and sale prices. 9 1977 used Buick Regal cars Find Buick Regal at the best price. We have 9 cars for sale for 1977 buick regal, from just \$6700. ... 1977 Porsche 924 Coupe Orange RWD Manual Black. Sylacauga. Used 1977 Buick Regal for Sale in Longmont, CO Browse the best September 2023 deals on 1977 Buick Regal vehicles for sale in Longmont, CO. Save \$3817 right now on a 1977 Buick Regal on CarGurus. 1977 Buick Regal for Sale Near Me Search 1977 Buick Regal for Sale Near Me to find the best deals. iSeeCars.com analyzes prices of 10 million used cars daily. Owner's Manual 1977 Buick Century Regal Find many great new & used options and get the best deals for Owner's Manual 1977 Buick Century Regal at the best online prices at eBay! Buick Regal Classic Cars for Sale - Classics on Autotrader Buick Regal Classic cars for sale near you by classic car dealers and private sellers on Classics on Autotrader. 1977 Buick Regal For Sale ... Vehicle Condition. Excellent. Fair. Good. Mint. Project. Transmission. Auto. Manual. Unspecified. Location. US. Canada. International. Distance. 50 Miles. from. 1977 BUICK REGAL FOR SALE \$8500 O.B.O. 1977 BUICK REGAL FOR SALE \$8500 O.B.O.. all original car 350 4bbl v8 a/t p/s p/b ... Buick Regal · Auction Sites · Owners Manuals · Indianapolis · Fleet · Classic ... 1977 Buick Regal Landau For Sale - Affordable Classics 1977 Buick Regal Landau for sale by Affordable Classics Motorcars. Our classic cars for sale are unique high quality cars you will be proud ...