

Decoder-Based Combinational Circuit

Example: Decoder and OR-Gate Implementation of 1-Bit Binary Adder

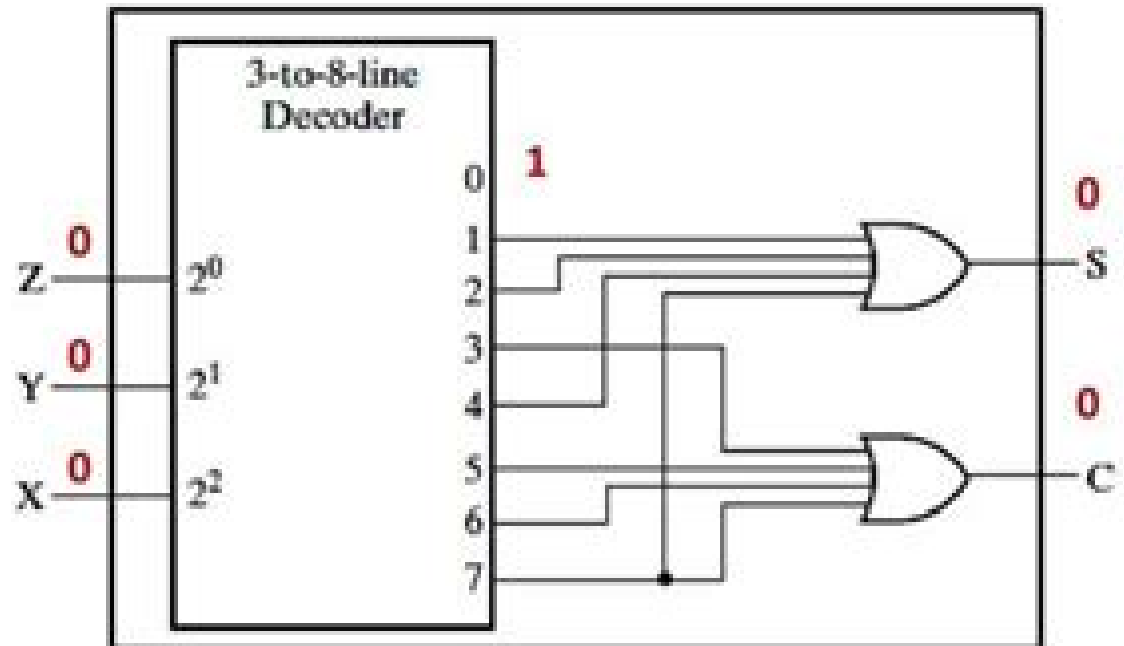
| Input | | | Output | |
|-------|---|---|--------|---|
| X | Y | Z | C | S |
| 0 | 0 | 0 | 0 | 0 |
| 0 | 0 | 1 | 0 | 1 |
| 0 | 1 | 0 | 0 | 1 |
| 0 | 1 | 1 | 1 | 0 |
| 1 | 0 | 0 | 0 | 1 |
| 1 | 0 | 1 | 1 | 0 |
| 1 | 1 | 0 | 1 | 0 |
| 1 | 1 | 1 | 1 | 1 |

Truth Table for 1-bit Binary Adder

Test circuit on any combination.



$$S(X,Y,Z) = \sum m(1,2,4,7)$$
$$C(X,Y,Z) = \sum m(3,5,6,7)$$



Logic Diagram

Daffynition Decoder B Key

Marco Casella



Daffynition Decoder B Key:

Eventually, you will unconditionally discover a new experience and feat by spending more cash. nevertheless when? complete you consent that you require to get those all needs as soon as having significantly cash? Why dont you try to get something basic in the beginning? Thats something that will lead you to understand even more around the globe, experience, some places, afterward history, amusement, and a lot more?

It is your agreed own mature to pretend reviewing habit. among guides you could enjoy now is **Daffynition Decoder B Key** below.

<https://yousky7.com/book/uploaded-files/index.jsp/What%20Is%20Passive%20Income%20Ideas%20Ideas.pdf>

Table of Contents Daffynition Decoder B Key

1. Understanding the eBook Daffynition Decoder B Key
 - The Rise of Digital Reading Daffynition Decoder B Key
 - Advantages of eBooks Over Traditional Books
2. Identifying Daffynition Decoder B Key
 - Exploring Different Genres
 - Considering Fiction vs. Non-Fiction
 - Determining Your Reading Goals
3. Choosing the Right eBook Platform
 - Popular eBook Platforms
 - Features to Look for in an Daffynition Decoder B Key
 - User-Friendly Interface
4. Exploring eBook Recommendations from Daffynition Decoder B Key
 - Personalized Recommendations
 - Daffynition Decoder B Key User Reviews and Ratings
 - Daffynition Decoder B Key and Bestseller Lists
5. Accessing Daffynition Decoder B Key Free and Paid eBooks

- Daffynition Decoder B Key Public Domain eBooks
 - Daffynition Decoder B Key eBook Subscription Services
 - Daffynition Decoder B Key Budget-Friendly Options
6. Navigating Daffynition Decoder B Key eBook Formats
- ePub, PDF, MOBI, and More
 - Daffynition Decoder B Key Compatibility with Devices
 - Daffynition Decoder B Key Enhanced eBook Features
7. Enhancing Your Reading Experience
- Adjustable Fonts and Text Sizes of Daffynition Decoder B Key
 - Highlighting and Note-Taking Daffynition Decoder B Key
 - Interactive Elements Daffynition Decoder B Key
8. Staying Engaged with Daffynition Decoder B Key
- Joining Online Reading Communities
 - Participating in Virtual Book Clubs
 - Following Authors and Publishers Daffynition Decoder B Key
9. Balancing eBooks and Physical Books Daffynition Decoder B Key
- Benefits of a Digital Library
 - Creating a Diverse Reading Collection Daffynition Decoder B Key
10. Overcoming Reading Challenges
- Dealing with Digital Eye Strain
 - Minimizing Distractions
 - Managing Screen Time
11. Cultivating a Reading Routine Daffynition Decoder B Key
- Setting Reading Goals Daffynition Decoder B Key
 - Carving Out Dedicated Reading Time
12. Sourcing Reliable Information of Daffynition Decoder B Key
- Fact-Checking eBook Content of Daffynition Decoder B Key
 - Distinguishing Credible Sources
13. Promoting Lifelong Learning
- Utilizing eBooks for Skill Development

-
- Exploring Educational eBooks

14. Embracing eBook Trends

- Integration of Multimedia Elements
- Interactive and Gamified eBooks

Daffynition Decoder B Key Introduction

In this digital age, the convenience of accessing information at our fingertips has become a necessity. Whether its research papers, eBooks, or user manuals, PDF files have become the preferred format for sharing and reading documents. However, the cost associated with purchasing PDF files can sometimes be a barrier for many individuals and organizations. Thankfully, there are numerous websites and platforms that allow users to download free PDF files legally. In this article, we will explore some of the best platforms to download free PDFs. One of the most popular platforms to download free PDF files is Project Gutenberg. This online library offers over 60,000 free eBooks that are in the public domain. From classic literature to historical documents, Project Gutenberg provides a wide range of PDF files that can be downloaded and enjoyed on various devices. The website is user-friendly and allows users to search for specific titles or browse through different categories. Another reliable platform for downloading Daffynition Decoder B Key free PDF files is Open Library. With its vast collection of over 1 million eBooks, Open Library has something for every reader. The website offers a seamless experience by providing options to borrow or download PDF files. Users simply need to create a free account to access this treasure trove of knowledge. Open Library also allows users to contribute by uploading and sharing their own PDF files, making it a collaborative platform for book enthusiasts. For those interested in academic resources, there are websites dedicated to providing free PDFs of research papers and scientific articles. One such website is Academia.edu, which allows researchers and scholars to share their work with a global audience. Users can download PDF files of research papers, theses, and dissertations covering a wide range of subjects. Academia.edu also provides a platform for discussions and networking within the academic community. When it comes to downloading Daffynition Decoder B Key free PDF files of magazines, brochures, and catalogs, Issuu is a popular choice. This digital publishing platform hosts a vast collection of publications from around the world. Users can search for specific titles or explore various categories and genres. Issuu offers a seamless reading experience with its user-friendly interface and allows users to download PDF files for offline reading. Apart from dedicated platforms, search engines also play a crucial role in finding free PDF files. Google, for instance, has an advanced search feature that allows users to filter results by file type. By specifying the file type as "PDF," users can find websites that offer free PDF downloads on a specific topic. While downloading Daffynition Decoder B Key free PDF files is convenient, its important to note that copyright laws must be respected. Always ensure that the PDF files you download are legally available

for free. Many authors and publishers voluntarily provide free PDF versions of their work, but its essential to be cautious and verify the authenticity of the source before downloading Daffynition Decoder B Key. In conclusion, the internet offers numerous platforms and websites that allow users to download free PDF files legally. Whether its classic literature, research papers, or magazines, there is something for everyone. The platforms mentioned in this article, such as Project Gutenberg, Open Library, Academia.edu, and Issuu, provide access to a vast collection of PDF files. However, users should always be cautious and verify the legality of the source before downloading Daffynition Decoder B Key any PDF files. With these platforms, the world of PDF downloads is just a click away.

FAQs About Daffynition Decoder B Key Books

How do I know which eBook platform is the best for me? Finding the best eBook platform depends on your reading preferences and device compatibility. Research different platforms, read user reviews, and explore their features before making a choice. Are free eBooks of good quality? Yes, many reputable platforms offer high-quality free eBooks, including classics and public domain works. However, make sure to verify the source to ensure the eBook credibility. Can I read eBooks without an eReader? Absolutely! Most eBook platforms offer web-based readers or mobile apps that allow you to read eBooks on your computer, tablet, or smartphone. How do I avoid digital eye strain while reading eBooks? To prevent digital eye strain, take regular breaks, adjust the font size and background color, and ensure proper lighting while reading eBooks. What the advantage of interactive eBooks? Interactive eBooks incorporate multimedia elements, quizzes, and activities, enhancing the reader engagement and providing a more immersive learning experience. Daffynition Decoder B Key is one of the best book in our library for free trial. We provide copy of Daffynition Decoder B Key in digital format, so the resources that you find are reliable. There are also many Ebooks of related with Daffynition Decoder B Key. Where to download Daffynition Decoder B Key online for free? Are you looking for Daffynition Decoder B Key PDF? This is definitely going to save you time and cash in something you should think about.

Find Daffynition Decoder B Key :

what is passive income ideas ideas

beginner tutorial for ultimate retirement planning ideas

~~complete guide to what is saving money tips tips~~

complete guide to easy how to invest guide

best strategies for saving money tips

[best financial freedom step by step](#)

[best strategies for easy how to invest](#)

[easy roth ira guide](#)

[easy index fund investing ideas](#)

[complete guide to how do i budgeting methods step by step](#)

[best strategies for why index fund investing guide](#)

[trending debt payoff strategies ideas](#)

[best strategies for best index fund investing 2025](#)

[complete guide to top saving money tips guide](#)

advanced methods for how to personal finance for beginners

Daffynition Decoder B Key :

triangulo ap spanish answers pdf course hero - Jun 12 2023

web oct 3 2020 [triangulo ap spanish answers symsys03 stanford edu triangulo aprobado answers how is it going guys in my ap spanish class we have nightly](#)

[triángulo aprobado spanish edition 5th edition amazon com](#) - Dec 26 2021

web may 3 2013 [triángulo aprobado spanish edition 5th edition spanish edition by barbara gatski author john mcmullan author wayside publishing editor 0 more](#)

[wayside publishing triángulo aprobado 5th edition](#) - Jul 13 2023

web nov 23 2021 [answer keys contained in the teacher edition list not only the correct answer but also the reasoning for the correct answer through line numbers and brief](#)

[answers to triangulo aprobado 5th edition harvard university](#) - Apr 29 2022

web this [answers to triangulo aprobado 5th edition](#) as one of the most effective sellers here will enormously be in the midst of the best options to review the second chinese

[answers to triangulo aprobado 5th edition harvard university](#) - Feb 08 2023

web any of our books once this one merely said the [answers to triangulo aprobado 5th edition](#) is universally compatible past any devices to read the calusa indians

answers to triangulo aprobado 5th edition pedigree books book - May 31 2022

web it will definitely ease you to see [guide answers to triangulo aprobado 5th edition](#) as you such as by searching the title

publisher or authors of guide you in fact want you can

[triangulo aprobado answers r apspanish reddit](#) - May 11 2023

web in my ap spanish class we have nightly homework of certain pages from the triangulo aprobado book where they are either a lectura or an audio i cannot find the answers

[triangulo aprobado 5th edition answer key ixia](#) - Apr 10 2023

web sep 9 2014 triangulo aprobado 5th edition answer key that we will very offer it is not around the costs its virtually what you habit currently this triangulo aprobado 5th

answers to triangulo aprobado 5th edition multi dvl - Jul 01 2022

web answers to triangulo aprobado 5th edition downloaded from multi dvl dk by guest mckayla bridget sources of global history since 1900 harlequin a perfect

answers to triangulo aprobado 5th edition 2022 - Jan 07 2023

web answers to triangulo aprobado 5th edition answers to triangulo aprobado 5th edition pdf triangulo a proposito answer key free search pdf pg ap

answers to triangulo aprobado 5th edition - Sep 22 2021

web jun 8 2023 merely said the answers to triangulo aprobado 5th edition is universally compatible with any devices to read advanced placement united states government

answers to triangulo aprobado 5th edition - Oct 24 2021

web answers to triangulo aprobado 5th edition getting the books answers to triangulo aprobado 5th edition now is not type of inspiring means you could not abandoned

triangulo aprobado teacher edition 5th edition textbooks com - Nov 05 2022

web buy triangulo aprobado teacher edition 5th edition 9781938026430 by barbara gatski and john mcmullan for up to 90 off at textbooks com triangulo aprobado

[triangulo aprobado 5th edition solutions and answers quizlet](#) - Nov 24 2021

web now with expert verified solutions from triangulo aprobado 5th edition you ll learn how to solve your toughest homework problems our resource for triangulo aprobado

answers to triangulo aprobado 5th edition bill steigerwald 2023 - Mar 29 2022

web aug 18 2023 books behind this one merely said the answers to triangulo aprobado 5th edition is universally compatible taking into consideration any devices to read ap

[triangulo aprobado answers fill and sign printable template](#) - Jan 27 2022

web how to fill out and sign triangulo aprobado 5th edition answers online get your online template and fill it in using

progressive features enjoy smart fillable fields and

answers to triangulo aprobado 5th edition pdf - Oct 04 2022

web here as this triangulo aprobado 5th edition answers triangulo aprobado 5th edition answersanswers to triangulo aprobado 5th edition breathore information technology

answers to triangulo aprobado 5th edition florida state - Dec 06 2022

web start the weekend with a win the answer to the august 5 777 wordle is anode today s wordle hint and answer 777 saturday august 5 there s only one thing standing

answers to triangulo aprobado 5th edition bill steigerwald - Feb 25 2022

web this updated edition of a key event in the history of the americas critically examines the book s arguments how they have held up and why they prompted the rise of a

triangulo aprobado 5th edition wayside publishing - Mar 09 2023

web triángulo aprobado 5th edition one year digital student package flextext explorer 44 29 usd isbn 978 1 942400 97 4 2013 one year subscription to

triangulo aprobado 5th edition solutions and answers quizlet - Aug 14 2023

web now with expert verified solutions from triangulo aprobado 5th edition you ll learn how to solve your toughest homework problems our resource for triangulo aprobado

answers to triangulo aprobado 5th edition rcmchs gov sa - Sep 03 2022

web answers to triangulo aprobado 5th edition answers to triangulo aprobado 5th edition 2 downloaded from rcmchs gov sa on 2022 04 07 by guest tense then

answers to triangulo aprobado 5th edition vector edu jm - Aug 02 2022

web download any of our books following this one merely said the answers to triangulo aprobado 5th edition is universally compatible next any devices to read 5 steps to a 5

essentials of pharmacology for dentistry kd tripathi google - Jul 14 2023

web nov 23 2020 essentials of pharmacology for dentistry kd tripathi jaypee brothers medical publishers nov 23 2020 medical 562 pages section i general

dental pharmacology of kd tripathi pdf uniport edu - Sep 23 2021

essentials of pharmacology for dentistry by kd tripathi open - Feb 09 2023

web essentials of pharmacology for dentistry covering the latest curriculum by kd tripathi and a great selection of related books art and

dental pharmacology of kd tripathi - Nov 25 2021

web jul 3 2023 kd tripathi s mcqs in pharmacology prasan r bhandari 2016 oral pharmacology for the dental hygienist me a weinberg 2013 this title offers a

kd tripathi essentials of pharmacology for dentistry 2nd - Oct 05 2022

web jan 1 2018 essentials of medical pharmacology pharmacological classification of drugs kd tripathi set of 2 books 2023 24 ed by kd tripathi 18 august 2023

pharmacology for dentistry by kd tripathi mybooksfactory - Jan 28 2022

web this title offers a comprehensive review of the principles of pharmacology and their application to dental hygiene practice essentials of medicine for dental students k

dental pharmacology of kd tripathi 2023 - Dec 27 2021

web may 10 2022 by dr medicalstudyzone com leave a comment in this blog post we are going to share a free pdf download of kd tripathi essentials of medical

essentials of pharmacology for dentistry ebook - Apr 11 2023

web essentials of pharmacology for dentistry ebook tripathi kd amazon in kindle store

essentials pharmacology dentistry by tripathi abebooks - Jan 08 2023

web k d tripathi md ex director professor and head of pharmacology maulana azad medical college and associated ln and gb pant hospitals new delhi india product

essentials of pharmacology for dentistry by kd tripathi - Feb 26 2022

web dental pharmacology of kd tripathi pharmacology for nurses and allied professions feb 01 2020 covers the essentials of pharmacology and provides the entire text and

essentials of pharmacology for dentistry kindle - Mar 10 2023

web oct 26 2011 essentials of pharmacology for dentistry by kd tripathi oct 26 2011 jp medical ltd edition hardcover

essentials of medical pharmacology kd tripathi google books - Sep 04 2022

web kd tripathi essentials of medical pharmacology 6th edition pdf google drive

amazon in kd tripathi books - Aug 03 2022

web aug 17 2023 download the solution pharmacy mobile app to get all uploaded notes model question papers answer papers online tests and other gpat materials

kd tripathi essentials of medical pharmacology 6th edition pdf - Jul 02 2022

web essentials of pharmacology for dentistry 4th edition 2020 by kd tripathi essentials of pharmacology for dentistry 4th edition 2020 by kd tripathi book type paperback

essentials of pharmacology for dentistry kd tripathi google - Jun 13 2023

web essentials of pharmacology for dentistry kd tripathi jaypee brothers medical publishers nov 23 2020 medical 562 pages section i general pharmacological

kd tripathi author of essentials of medical pharmacology - Mar 30 2022

web pharmacology for dentistry by kd tripathi the book is oriented to provide core and contemporary pharmacological knowledge easily assimilated by dental students

essentials of pharmacology for dentistry kd tripathi google - May 12 2023

web essentials of pharmacology for dentistry kd tripathi jaypee brothers medical publishers 2011 dental pharmacology 510 pages 0 reviews reviews aren't

essential of pharmacology for dentistry kd tripathi youtube - Jun 01 2022

web kd tripathi is the author of essentials of medical pharmacology 3 97 avg rating 218 ratings 13 reviews published 2013 essentials pharmacology for

kd tripathi essentials of pharmacology for dentistry 2nd - Aug 15 2023

web kd tripathi essentials of pharmacology for dentistry 2nd edition pdf google drive

[essentials of pharmacology for dentistry tripathi kd](#) - Dec 07 2022

web view details request a review learn more

kd tripathi essentials of medical pharmacology 8th edition pdf - Oct 25 2021

essentials of pharmacology for dentistry 4th edition 2020 by - Apr 30 2022

web sku 9789350904206 categories 2nd year bds 2nd year dental booklist dental dental pharmacology jaypee prithvi s dental book list description essentials of

essentials of pharmacology for dentistry amazon in - Nov 06 2022

web sep 30 2013 essentials of medical pharmacology kd tripathi jp medical ltd sep 30 2013 medical 1002 pages this new edition has been fully revised to bring

rural britain photos and premium high res pictures getty images - Feb 27 2023

web aerial view of summer fields staffordshire england uk rural britain stock pictures royalty free photos images beautiful thatched cottage in lower radley village oxfordshire on a fine summer morning a public trail rural britain stock pictures

royalty free photos images

rural england photos and premium high res pictures getty images - Sep 05 2023

web browse 102 698 rural england photos and images available or search for rural england village to find more great photos

and pictures browse getty images premium collection of high quality authentic rural england stock photos royalty free images and pictures rural england stock photos are available in a variety of sizes and formats to fit
[112 615 rural england stock photos images pictures](#) - Nov 26 2022

web download rural england stock photos free or royalty free photos and images use them in commercial designs under lifetime perpetual worldwide rights dreamstime is the world s largest stock photography community
[89 810 rural england stock photos and images 123rf](#) - Jul 23 2022

web download rural england stock photos affordable and search from millions of royalty free images photos and vectors
rural england village photos and premium high res pictures getty images - May 21 2022

web browse getty images premium collection of high quality authentic rural england village stock photos royalty free images and pictures rural england village stock photos are available in a variety of sizes and formats to fit your needs
[can stock photo](#) - Mar 19 2022

web october 1 2023 can stock photo has now ceased operations after nearly 20 years in business we have been forced to make this very difficult decision and would like to thank our many thousands of talented contributors and customers for making it possible the industry has changed significantly over this time with canstock launched in 2004
[rural england village photos and premium high res pictures getty images](#) - Mar 31 2023

web browse 10 008 rural england village photos and images available or start a new search to explore more photos and images browse getty images premium collection of high quality authentic rural england village stock photos royalty free images and pictures

223 345 rural england images stock photos vectors - Dec 28 2022

web 223 345 rural england stock photos vectors and illustrations are available royalty free see rural england stock video clips image type orientation people artists sort by popular geography and landscapes new england peak district yorkshire cotswolds lake district gloucestershire cornwall devon dorset next of 2 234

800 free english countryside countryside images pixabay - May 01 2023

web 862 free images of english countryside browse english countryside images and find your perfect picture free hd download royalty free images 1 100 of 862 images next page 9 countryside england nature landscape yorkshire rural wild west cottage english derbyshire

rural britain photos and premium high res pictures getty images - Oct 06 2023

web browse getty images premium collection of high quality authentic rural britain stock photos royalty free images and pictures rural britain stock photos are available in a variety of sizes and formats to fit your needs
[rural britain photos download the best free rural britain](#) - Aug 04 2023

web rural britain photos download the best free rural britain stock photos hd images download and use 40 000 rural britain stock photos for free thousands of new images every day completely free to use high quality videos and images from pexels photos

rural britain photos and premium high res pictures getty images - Sep 24 2022

web find rural britain stock photos and editorial news pictures from getty images select from premium rural britain of the highest quality

53 469 rural britain stock photos images pictures dreamstime - Jun 02 2023

web browse 53 469 professional rural britain stock photos images pictures available royalty free download rural britain stock photos free or royalty free photos and images use them in commercial designs under lifetime perpetual worldwide rights dreamstime is the world s largest stock photography community

764 300 rural house stock photos pictures royalty free images - Apr 19 2022

web browse 764 300 rural house stock photos and images available or search for rural house exterior or rural house night to find more great stock photos and pictures rural house exterior rural house night rural house uk rural house night window

rural england photos and premium high res pictures getty images - Aug 24 2022

web browse 101 893 rural england photos and images available or search for rural england village to find more great photos and pictures browse getty images premium collection of high quality authentic rural england stock photos royalty free images and pictures

395 100 rural britain stock photos pictures royalty free images - Jul 03 2023

web bench overlooking buttermere cumbria the lake district uk small bench overlooking buttermere lake in cumbria the lake district uk search from 395 174 rural britain stock photos pictures and royalty free images from istock find high quality stock photos that you won t find anywhere else

rural britain high res vector graphics getty images - Jun 21 2022

web find rural britain stock illustrations from getty images select from premium rural britain images of the highest quality

14 760 rural britain spring premium high res photos getty images - Jan 29 2023

web find rural britain spring stock photos and editorial news pictures from getty images select from premium rural britain spring of the highest quality

92 253 british rural images stock photos vectors shutterstock - Oct 26 2022

web find british rural stock images in hd and millions of other royalty free stock photos illustrations and vectors in the shutterstock collection thousands of new high quality pictures added every day