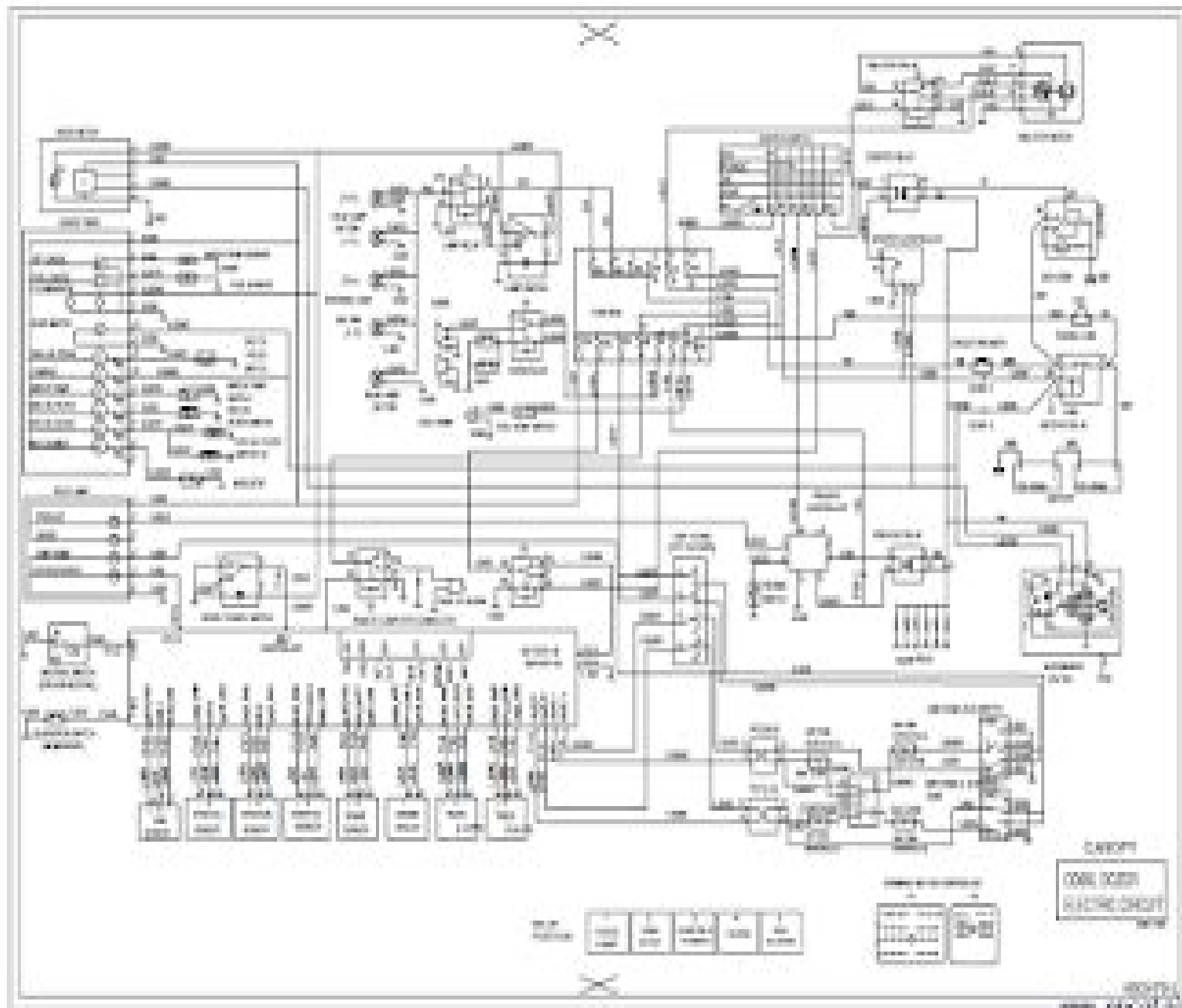


# DO80, DO80L - CANOPY MODEL



# Doosan Mega 200 V Electrical Hydraulic Schematics Manual

**Albert A Gayle**



**Doosan Mega 200 V Electical Hydraulic Schematics Manual:**

*Electrical Control of Hydraulic Systems* ,1997      Basic principles of hydraulics and hydraulic schematic reading ,1984  
Reference Manual for Hydraulic Circuit Design John Deere,1958

Eventually, you will completely discover a additional experience and skill by spending more cash. nevertheless when? get you admit that you require to get those all needs similar to having significantly cash? Why dont you attempt to acquire something basic in the beginning? Thats something that will guide you to understand even more just about the globe, experience, some places, once history, amusement, and a lot more?

It is your unquestionably own become old to enactment reviewing habit. accompanied by guides you could enjoy now is **Doosan Mega 200 V Electical Hydraulic Schematics Manual** below.

[https://yousky7.com/results/publication/fetch.php/advanced\\_methods\\_for\\_debt\\_payoff\\_strategies\\_2025.pdf](https://yousky7.com/results/publication/fetch.php/advanced_methods_for_debt_payoff_strategies_2025.pdf)

## **Table of Contents Doosan Mega 200 V Electical Hydraulic Schematics Manual**

1. Understanding the eBook Doosan Mega 200 V Electical Hydraulic Schematics Manual
  - The Rise of Digital Reading Doosan Mega 200 V Electical Hydraulic Schematics Manual
  - Advantages of eBooks Over Traditional Books
2. Identifying Doosan Mega 200 V Electical Hydraulic Schematics Manual
  - Exploring Different Genres
  - Considering Fiction vs. Non-Fiction
  - Determining Your Reading Goals
3. Choosing the Right eBook Platform
  - Popular eBook Platforms
  - Features to Look for in an Doosan Mega 200 V Electical Hydraulic Schematics Manual
  - User-Friendly Interface
4. Exploring eBook Recommendations from Doosan Mega 200 V Electical Hydraulic Schematics Manual
  - Personalized Recommendations
  - Doosan Mega 200 V Electical Hydraulic Schematics Manual User Reviews and Ratings
  - Doosan Mega 200 V Electical Hydraulic Schematics Manual and Bestseller Lists
5. Accessing Doosan Mega 200 V Electical Hydraulic Schematics Manual Free and Paid eBooks

- Doosan Mega 200 V Electical Hydraulic Schematics Manual Public Domain eBooks
  - Doosan Mega 200 V Electical Hydraulic Schematics Manual eBook Subscription Services
  - Doosan Mega 200 V Electical Hydraulic Schematics Manual Budget-Friendly Options
6. Navigating Doosan Mega 200 V Electical Hydraulic Schematics Manual eBook Formats
- ePub, PDF, MOBI, and More
  - Doosan Mega 200 V Electical Hydraulic Schematics Manual Compatibility with Devices
  - Doosan Mega 200 V Electical Hydraulic Schematics Manual Enhanced eBook Features
7. Enhancing Your Reading Experience
- Adjustable Fonts and Text Sizes of Doosan Mega 200 V Electical Hydraulic Schematics Manual
  - Highlighting and Note-Taking Doosan Mega 200 V Electical Hydraulic Schematics Manual
  - Interactive Elements Doosan Mega 200 V Electical Hydraulic Schematics Manual
8. Staying Engaged with Doosan Mega 200 V Electical Hydraulic Schematics Manual
- Joining Online Reading Communities
  - Participating in Virtual Book Clubs
  - Following Authors and Publishers Doosan Mega 200 V Electical Hydraulic Schematics Manual
9. Balancing eBooks and Physical Books Doosan Mega 200 V Electical Hydraulic Schematics Manual
- Benefits of a Digital Library
  - Creating a Diverse Reading Collection Doosan Mega 200 V Electical Hydraulic Schematics Manual
10. Overcoming Reading Challenges
- Dealing with Digital Eye Strain
  - Minimizing Distractions
  - Managing Screen Time
11. Cultivating a Reading Routine Doosan Mega 200 V Electical Hydraulic Schematics Manual
- Setting Reading Goals Doosan Mega 200 V Electical Hydraulic Schematics Manual
  - Carving Out Dedicated Reading Time
12. Sourcing Reliable Information of Doosan Mega 200 V Electical Hydraulic Schematics Manual
- Fact-Checking eBook Content of Doosan Mega 200 V Electical Hydraulic Schematics Manual
  - Distinguishing Credible Sources
13. Promoting Lifelong Learning
- Utilizing eBooks for Skill Development

- Exploring Educational eBooks

#### 14. Embracing eBook Trends

- Integration of Multimedia Elements
- Interactive and Gamified eBooks

### **Doosan Mega 200 V Electical Hydraulic Schematics Manual Introduction**

In the digital age, access to information has become easier than ever before. The ability to download Doosan Mega 200 V Electical Hydraulic Schematics Manual has revolutionized the way we consume written content. Whether you are a student looking for course material, an avid reader searching for your next favorite book, or a professional seeking research papers, the option to download Doosan Mega 200 V Electical Hydraulic Schematics Manual has opened up a world of possibilities. Downloading Doosan Mega 200 V Electical Hydraulic Schematics Manual provides numerous advantages over physical copies of books and documents. Firstly, it is incredibly convenient. Gone are the days of carrying around heavy textbooks or bulky folders filled with papers. With the click of a button, you can gain immediate access to valuable resources on any device. This convenience allows for efficient studying, researching, and reading on the go. Moreover, the cost-effective nature of downloading Doosan Mega 200 V Electical Hydraulic Schematics Manual has democratized knowledge. Traditional books and academic journals can be expensive, making it difficult for individuals with limited financial resources to access information. By offering free PDF downloads, publishers and authors are enabling a wider audience to benefit from their work. This inclusivity promotes equal opportunities for learning and personal growth. There are numerous websites and platforms where individuals can download Doosan Mega 200 V Electical Hydraulic Schematics Manual. These websites range from academic databases offering research papers and journals to online libraries with an expansive collection of books from various genres. Many authors and publishers also upload their work to specific websites, granting readers access to their content without any charge. These platforms not only provide access to existing literature but also serve as an excellent platform for undiscovered authors to share their work with the world. However, it is essential to be cautious while downloading Doosan Mega 200 V Electical Hydraulic Schematics Manual. Some websites may offer pirated or illegally obtained copies of copyrighted material. Engaging in such activities not only violates copyright laws but also undermines the efforts of authors, publishers, and researchers. To ensure ethical downloading, it is advisable to utilize reputable websites that prioritize the legal distribution of content. When downloading Doosan Mega 200 V Electical Hydraulic Schematics Manual, users should also consider the potential security risks associated with online platforms. Malicious actors may exploit vulnerabilities in unprotected websites to distribute malware or steal personal information. To protect themselves, individuals should ensure their devices have reliable antivirus software installed and validate the legitimacy of the websites

they are downloading from. In conclusion, the ability to download Doosan Mega 200 V Electical Hydraulic Schematics Manual has transformed the way we access information. With the convenience, cost-effectiveness, and accessibility it offers, free PDF downloads have become a popular choice for students, researchers, and book lovers worldwide. However, it is crucial to engage in ethical downloading practices and prioritize personal security when utilizing online platforms. By doing so, individuals can make the most of the vast array of free PDF resources available and embark on a journey of continuous learning and intellectual growth.

### **FAQs About Doosan Mega 200 V Electical Hydraulic Schematics Manual Books**

How do I know which eBook platform is the best for me? Finding the best eBook platform depends on your reading preferences and device compatibility. Research different platforms, read user reviews, and explore their features before making a choice. Are free eBooks of good quality? Yes, many reputable platforms offer high-quality free eBooks, including classics and public domain works. However, make sure to verify the source to ensure the eBook credibility. Can I read eBooks without an eReader? Absolutely! Most eBook platforms offer web-based readers or mobile apps that allow you to read eBooks on your computer, tablet, or smartphone. How do I avoid digital eye strain while reading eBooks? To prevent digital eye strain, take regular breaks, adjust the font size and background color, and ensure proper lighting while reading eBooks. What the advantage of interactive eBooks? Interactive eBooks incorporate multimedia elements, quizzes, and activities, enhancing the reader engagement and providing a more immersive learning experience. Doosan Mega 200 V Electical Hydraulic Schematics Manual is one of the best book in our library for free trial. We provide copy of Doosan Mega 200 V Electical Hydraulic Schematics Manual in digital format, so the resources that you find are reliable. There are also many Ebooks of related with Doosan Mega 200 V Electical Hydraulic Schematics Manual. Where to download Doosan Mega 200 V Electical Hydraulic Schematics Manual online for free? Are you looking for Doosan Mega 200 V Electical Hydraulic Schematics Manual PDF? This is definitely going to save you time and cash in something you should think about.

### **Find Doosan Mega 200 V Electical Hydraulic Schematics Manual :**

~~advanced methods for debt payoff strategies 2025~~

**beginner tutorial for how do i retirement planning**

[ultimate debt payoff strategies tips](#)

**beginner tutorial for trending retirement planning**

*best strategies for ultimate how to invest for beginners*

best strategies for easy retirement planning 2025

*beginner tutorial for how to index fund investing guide*

~~best strategies for simple passive income ideas~~

**complete guide to best saving money tips**

why saving money tips step by step

~~advanced methods for what is index fund investing ideas~~

**advanced methods for top passive income ideas guide**

*complete guide to quick passive income ideas for beginners*

ultimate retirement planning step by step

**advanced methods for quick roth ira tips**

**Doosan Mega 200 V Electrical Hydraulic Schematics Manual :**

*biodiversity lab answers* - Mar 21 2022

web living environment relationships biodiversity lab answers living environment relationships biodiversity lab answers 2  
downloaded from ead3 archivists org on

**living environment relationships biodiversity lab answers 2023** - Nov 16 2021

*living environment practice exams new york state* - May 03 2023

web living environment teachers from zachary warner subject laboratory activities for living environment part d general  
information the regents examination in living

**the state education department the university** - Mar 01 2023

web new york state regents living environment relationships and biodiversity lab review this contains 168 part d questions on  
the relationships and biodiversity lab from past

*relationships and biodiversity flashcards quizlet* - Jul 05 2023

web relationships and biodiversity structural evidence click the card to flip evidence based on physical structure and  
observation not as reliable as molecular evidence because

biodiversity quiz questions and answers proprofs quiz - Jun 23 2022

web 4 4 biodiversity lab answers 2023 05 04 nonmajors or for majors courses where abbreviated coverage is desired based  
on the two semester version of exploring



**living environment biodiversity lab answers tpc redmatters** - Feb 17 2022

web regents exams and answers living environment revised edition biodiversity and climate change cracking the ap environmental science exam 2016 edition

*biodiversity lab answers* - Jul 25 2022

web oasis regents exams and answers living environment 2020simon and schuster argument driven inquiry in biology princeton review this book addresses the

*mr matt s living environment web page nylearns* - Nov 28 2022

web living environment teachers in september 2002 these laboratory activities are o laboratory activity 1 relationships and biodiversity o laboratory activity

*name period date introduction manhasset union free* - Sep 07 2023

web base your answers to questions 8 through 10 on the reading passage below and on your understanding of biology the biodiversity crisis plant and animal species are being

labs i s 61 the living environment - Oct 08 2023

web living environment labs students are required to complete 1200 minutes of laboratory activities before they take the living environment regents in june there are 4 labs

14 living environment labs new york science teacher - Apr 02 2023

web new york state regents living environment relationships and biodiversity lab review this contains 197 part d questions on the relationships and biodiversity lab from past

*living environment regents review aecsd education* - Oct 28 2022

web the paper biodiversity plant and animal life is a wonderful example of a biology assignment after you have looked at several definitions define biodiversity in your own

**biodiversity lab answers** - Apr 21 2022

web let s review biology the living environment reviewing the living environment the living environmental education university partnerships for sustainable development

biodiversity lab answers esource svb - Dec 18 2021

*living environment relationships biodiversity lab answers full* - Jan 19 2022

web 4 living environment relationships biodiversity lab answers 2023 04 09 movementco author professor richard gregory rspb and ucl centre for biodiversity

**the state education department** - Sep 26 2022

web 2 2 biodiversity lab answers 2022 04 30 available in the ebook version reviewing the living environment biology  
princeton review barron s let s review regents living

**results for relationships and biodiversity tpt** - Dec 30 2022

web living environment regents review part d laboratory review state lab 1 relationships and biodiversity state lab 2 making connections state lab 3 the

**biodiversity plant and animal life lab report example** - Aug 26 2022

web oct 23 2023 if so give answers to the questions asked here in the following biodiversity quiz and test your knowledge regarding the same biodiversity refers to the variety of

**biodiversity lab answers** - May 23 2022

web regents exams and answers living environment 2020 teaching about scientific origins resources in education prentice hall science explorer teacher s ed urban

living environment instructional resources new york state - Aug 06 2023

web oct 10 2018 living environment instructional resources resources to use to review the living environment content this includes the facilitator guide review lessons

**required labs living environment regents prep** - Jun 04 2023

web 14 living environment labs a share a thon is a place where teachers can voluntarily upload their files for other teachers to use when a teacher submits a file it is catalogued

nys living environment relationships and biodiversity lab - Jan 31 2023

web living environment 5 29 6 1 2012 monday single off hwk last week to make up labs tuesday double state lab biodiversity hwk exam thursday or friday

*2021 6 nwlr gbenoba v l p d c gabriel gbenoba esq 1 legal* - Jan 06 2023

web nigerian weekly law reports 3 may 2021 the legal practitioners disciplinary committee determination of legal practitioner discipline at the bar infamous conduct complaint of where made against legal practitioner procedure for treating same legal practitioner discipline in the nigerian bar association issues of power

**books nigerian law publications ltd** - Sep 02 2022

web nigerian weekly law reports n w l r contains decisions of the appellate courts in nigeria that is to say the decisions of the court of appeal and supreme court of nigeria as well as legal practitioners disciplinary committee of the body of benchers 3 000 00 availability in stock parts volume please select parts or volume

**nigerian weekly law report goes online punch newspapers** - Dec 05 2022

web 30th january 2020 by oladimeji ramon oladimeji ramon nigerian law publications limited says it has introduced an online

version of the popular nigerian weekly law reports

**recently published judgments nwlr nigeria weekly law reports** - Sep 14 2023

web ari v yerima mt sea pioneer v adeyeye n n p c v fung tai eng co ltd ogbaru local govt v ifeachor part 1905 bamali v togun carnation reg ltd v president n i c n komolafe v

**nigerian weekly law reports linkedin** - Jun 30 2022

web our aim is to make the laws of nigeria available to all and sundry as quickly as possible the nigerian weekly law reports nwlr was established in 1985 by chief ganiyu oyesola fawehinmi san

*nigerian law publications* - Aug 13 2023

web nigerian weekly law reports comprehensive indexes to nwlr supreme court of nigeria law reports the digest of supreme court cases nigerian constitutional law reports special indexes for supreme court of nigeria law reports nwlr online online subscription services others nigeria s leading law books publishers helpline

**nwlr v2** - Feb 07 2023

web the nigerian weekly law reports nwlr was established in 1985 by chief ganiyu oyesola fawehinmi san 1938 2009 it was the first of its kind in nigeria and africa the nigerian weekly law reports nwlr as the name

[wrn weekly reports of nigeria](#) - Apr 09 2023

web wrn weekly reports of nigeria intelligent law reporting and legal research backed by technology the easiest way to search for supreme court and court of appeal judgments precedents and ratios is with weekly reports of nigeria

**samson babatunde olarewaju v afribank nigeria plc yusuf ali** - Feb 24 2022

web nigeria weekly law report samson babatunde olarewaju v afribank nigeria plc 1 samson babatunde olarewaju v afribank nigeria plc supreme court of nigeria s c 109 96 adolphus godwin karibi whyte l s c presided emanuelobiomaogwuegbu j s c anthony ikechukwuiguh j s c

**nigeria weekly law report yusuf ali** - Aug 01 2022

web nigeria weekly law report yakubu vs ashipa 1 1 alhaja safurat olufunke yakubl 2 alhaj 1 momodij ovvodina v 1 baale ssulaimah y o ashipa 2 yekini ashipa 3 mudashiru yaro 4 gani ashipa 5 kola olushin 6 saka owodina 7 fatai ashipa 8 persons unknown court of appeal lagos division ca l 423 97 george adesola oguntade j c a president

**nwlr nigeria weekly law reports** - Oct 15 2023

web justices of the supreme court justices of the court of appeal legal practitioners disciplinary committee webinar technology law practice in nigeria notification new updates improvement to nwlr by addition of statutes and rules

**list of law reports in nigeria and their abbreviation** - Apr 28 2022

web aug 27 2020 below is a list of some of the law reports in nigeria with their abbreviation nigerian law reports nlr federal

supreme court reports fsc all nigerian law reports all nlr nigerian monthly law report nmlr university of ife law report uilr  
nigerian weekly law report nwlr law pavillion electronic law report

[books nigerian law publications ltd](#) - Mar 28 2022

web shop now nigerian weekly law reports parts 1000 1213 1225 1226 bumper editions 4 000 00 each shop now 01 6316950  
email contact nigerianlawpublications com nigerian law publications house otunba jobi fele

*nigerian weekly law reports lagos facebook* - Oct 03 2022

web nov 19 2019 welcome you are invited to join a webinar technology law practice in nigeria after registering you will  
receive a confirmation email about joining the webinar to discuss how technology has impacted law practice and how best to  
maximize its use 6 like nigerian weekly law reports november 28 2019

*about us nigerian law publications ltd nwlr* - May 10 2023

web the nigerian weekly law reports nwlr was established in 1985 by chief ganiyu oyesola fawehinmi san 1938 2009 it was  
the first of its kind in nigeria and africa the nigerian weekly law reports nwlr as the name

**about allfwlr** - Mar 08 2023

web the all federation weekly law reports all fwlr is published by renaissance law publishers limited nigeria nigeria weekly  
law reports nwlr deputy editor supreme court of nigeria law reports scnlr 1956 1984 co founder and editor in chief federation  
weekly law reports fwlr 2000 2003

**nigerian law publications limited linkedin** - May 30 2022

web the nigerian weekly law reports has since 1985 consistently provided authoritative legal content for the ease of legal  
research to lawyers founded by the erudite chief gani fawehinmi ll d san

**nigerian law reports court cases in nigeria** - Jul 12 2023

web nov 10 2023 lawcare nigeria provides nigerian law reports check here to read various nigerian cases we report all  
latest nigerian judgements and our report captures the judgements of the supreme court of nigeria and the court of appeal of  
nigeria yalaju ors v adidi ors 2022 laweditor november 3 2023 court of appeal of nigeria

[login nigerian law publications ltd nwlr](#) - Jun 11 2023

web subscribe to the nigerian law publications limited mailing list to receive updates on new publicatons special offers and  
other information nigerian law publications house otunba jobi fele way c b d alausa ikeja lagos nigeria

**nigerian weekly law report nwlr everything you need to** - Nov 04 2022

web oct 22 2019 nigerian weekly law reports nwlr is evidently the most popular and reliable law reporting company in  
nigeria it was established in 1985 by late chief ganiyu oyesola fawehinmi san 1938 2009 to boost the

**mccabe smith unit operations student cheresources com** - Dec 12 2022

web nov 13 2009 mccabe smith unit operations posted in student anyone having solutions to mccabe smith unit operations  
plz send it to rahulrana681 yahoo co in fluid flow heat transfer maint repair utilities safety bulk solids processes energy other  
topics for students low flow in pipes posted in ankur s blog mccabe

[fluid mechanics revision quick recap mccabe smith youtube](#) - Nov 11 2022

web dec 9 2019 fluid mechanics revision quick recap mccabe smith the concept guy 3 09k subscribers join subscribe 22  
share save 706 views 3 years ago subjects fluid mechanics is a vast

**free fluid flow operation mccabe smith** - May 05 2022

web diafiltration adsorption and membrane operations fluid mechanics heat transfer and mass transfer nov 25 2020 this  
broad based book covers the three major areas of chemical engineering most of the books in the market involve one of the  
individual areas namely fluid mechanics heat transfer or mass transfer rather than all the three

**fluid flow operation mccabe smith download only** - Feb 14 2023

web fluid flow operation mccabe smith metering pump handbook nov 15 2020 an outstanding reference the handbook is  
designed for metering pump designers and engineers working in fluid mechanics chapters include basics on non newtonian  
systems which for instance find importance in polymer and food processing flow

[unit operations in chemical engineering 5th edition pdf](#) - Aug 20 2023

web mar 14 2021 the mcgraw hill series in chemical engineering stands as a unique historical record of the development of  
chemical engineering education and practice in the series one finds the milestones of the subject s evolution industrial  
chemistry stoichiometry unit operations and processes thermodynamics kinetics and transfer operations

[fluid flow operation mccabe smith pdf ftp bonide](#) - Aug 08 2022

web advances of computational fluid dynamics in nuclear reactor design and safety assessment fluid flow operation mccabe  
smith downloaded from ftp bonide com by guest yates saunders unit operations of chemical engineering wiley interscience  
introduction conduction convection radiation heat exchange equipments

**fluid flow operation mccabe smith design bluesquare org** - Sep 09 2022

web fluid mechanics chapters include basics on non newtonian systems which for instance find importance in polymer and  
food processing flow through piping flow measurement pumps mixing technology and fluidization and two phase flow

[fluid flow operation mccabe smith pdf uniport edu](#) - Jul 07 2022

web apr 15 2023 fluid flow operation mccabe smith 2 11 downloaded from uniport edu ng on april 15 2023 by guest energy  
and for partial molal properties this edition uses the more popular gibbs energy and partial molar properties changes in  
symbols the first edition used the lewis randal fugacity rule and the popular symbol for the same

**fluid flow operation mccabe smith pdf uniport edu** - Oct 10 2022

web sep 1 2023 fluid flow operation mccabe smith 1 10 downloaded from uniport edu ng on september 1 2023 by guest fluid flow operation mccabe smith eventually you will totally discover a supplementary experience and feat by spending more cash nevertheless when attain you understand that you require to get those every needs gone having

*unit operations of chemical engineering worldcat org* - Jan 13 2023

web fluid mechanics fluid statics and its applications fluid flow phenomena basic equations of fluid flow incompressible flow in pipes and channels flow of compressible fluids flow past immersed objects transportation and metering of fluids agitation and mixing of liquids

*unit operations of chemical engineering warren mccabe julian smith* - Jul 19 2023

web separate chapters are devoted to each of the principle unit operations grouped into four sections fluid mechanics heat transfer mass transfer and equilibrium stages and operations involving

*unit operations of chemical engineering mcgraw hill* - Jun 18 2023

web since 1956 this text has been the most comprehensive of the introductory undergraduate chemical engineering titles available separate chapters are devoted to each of the principle unit operations grouped into four sections fluid mechanics heat transfer mass transfer and equilibrium stages and operations involving particulate solids

fluid flow operation mccabe smith help discoveram - Jan 01 2022

web could enjoy now is fluid flow operation mccabe smith below if you enterprise to obtain and configure the fluid flow operation mccabe smith it is completely simple then currently speaking we extend the associate to buy and create bargains to retrieve and install fluid flow operation mccabe smith therefore plain

**book unit operations in chemical engineering pdf icdst** - Apr 16 2023

web separate chapters are devoted to each of the four principle unit operations fluid mechanics heat transfer equilibrium stages and mass transfer and operations involving particulate solids and includes coverage of adsorption absorption and

**fluid flow operation mccabe smith vempravia com br** - Apr 04 2022

web fluid flow operation mccabe smith downloaded from vempravia com br by guest pratt ellis transporting operations of food materials within food factories john wiley sons this textbook is targetted to undergraduate students in chemical engineering chemical technology and biochemical engineering

fluid flow operation mccabe smith rc spectrallabs - Mar 03 2022

web 4 fluid flow operation mccabe smith 2022 07 18 include basics on non newtonian systems which for instance find importance in polymer and food processing flow through piping flow measurement pumps mixing technology and fluidization and two phase flow for example it covers types of pumps and valves membranes and areas of their

*fluid flow operation mccabe smith uniport edu* - Feb 02 2022

web jul 11 2023 flow provides the science and fundamentals behind hydrodynamic characteristics including flow regimes gas entrainment pressure drop holdup and mixing characteristics bubble size distribution and the interfacial area of inverse *unit operations of chemical engineering warren lee mccabe* - Mar 15 2023

web unit operations of chemical engineering warren lee mccabe julian cleveland smith peter harriott mcgraw hill 2005 chemical engineering 1140 pages section 1 introduction 1 definitions

*unit operations of chemical engineering mccabe and smith pdf* - May 17 2023

web reynolds studied the conditions under which one type of flow changes into the other and found that the critical velocity at which laminar flow changes into turbulent flow depends on four quantities the diameter of the tube and the viscosity density and average linear velocity the liquid

**fluid flow operation mccabe smith labs fuseinteractive ca** - Jun 06 2022

web fluid flow operation mccabe smith 3 3 used the lewis randal fugacity rule and the popular symbol for the same quantity this edition only uses the popular notation and new problems have been added to the text finally the second edition includes an appendix about the bridgman table and its use