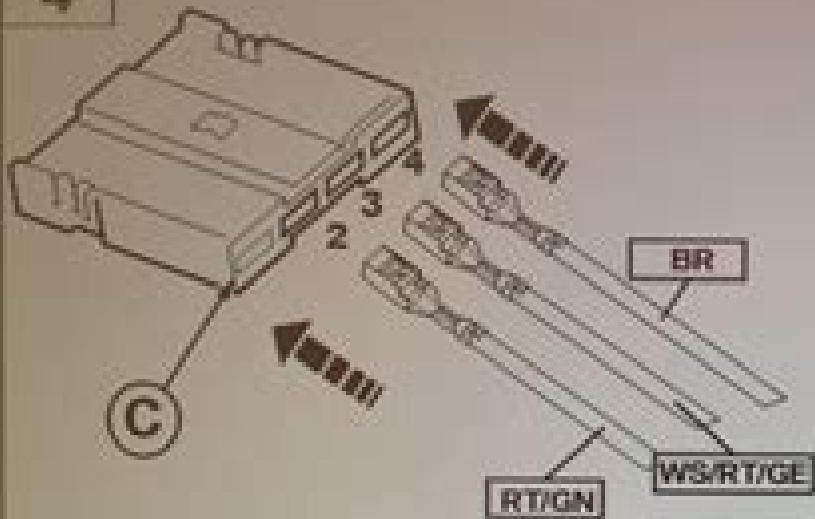


12-BR

083 0622 Z

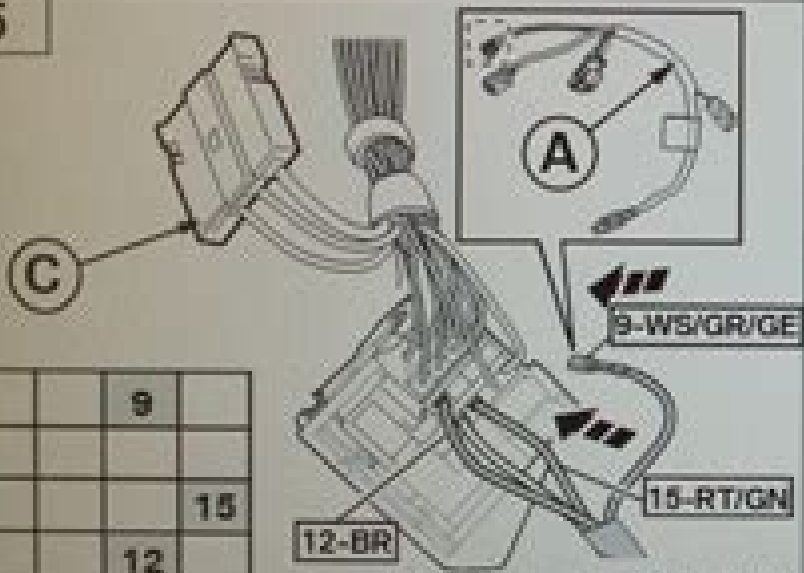
4



083 0618 Z

PIN number	Description
2	Terminal 30
3	I/K - Bus
4	Terminal 31

5



083 0619 Z

PIN Nummer	Description
9	I/K - Bus
12	Terminal 31
15	Terminal 30

# Bmw X3 Ipod Interface Manual

**JE Gale**



## **Bmw X3 Ipod Interface Manual:**

Car and Driver ,2004-07 BMW X3 (E83) Service Manual: 2004, 2005, 2006, 2007, 2008, 2009, 2010: 2.5i, 3.0i, 3.0si, Xdrive 30i Bentley Publishers,2015-01-26 The BMW X3 E83 Service Manual 2004 2010 contains in depth maintenance service and repair information for the BMW X3 from 2004 to 2010 The aim throughout has been simplicity and clarity with practical explanations step by step procedures and accurate specifications Whether you re a professional or a do it yourself BMW owner this manual helps you understand care for and repair your BMW Engines covered M54 engine 2 5i 3 0i 2004 2006 N52 engine 3 0si xDrive 30i 2007 2010 Transmissions covered Manual ZF GS6 37BZ 6 speed Automatic GM A5S390R 5 speed Automatic GM GA6L45R 6 speed 2025 BMW X3 Owner Manual Compatible with - OEM Owners Manual, Factory Glovebox Book Helming,2025-10-09 iPod: The Missing Manual J.D. Biersdorfer,David Pogue,2007-10-29 With iPod touch Apple s sleek little entertainment center has entered a whole new realm and the ultimate iPod book is ready to take you on a complete guided tour As breathtaking and satisfying as its subject iPod The Missing Manual gives you a no nonsense view of everything in the sixth generation iPod line Learn what you can do with iPod Touch and its multi touch interface 3 5 inch widescreen display and Wi Fi browsing capabilities Get to know the redesigned iPod Nano with its larger display and video storage capacity It s all right here The 6th edition sports easy to follow color graphics crystal clear explanations and guidance on the most useful things your iPod can do Topics include Out of the box and into your ears Learn how to install iTunes load music on your iPod and get rid of that dang flashing Do not disconnect message Bopping around the iPod Whether you ve got a tiny Shuffle a Nano the Classic or the new Touch you ll learn everything from turning your iPod off and on to charging your iPod without a computer Special coverage for iPod owners with trickster friends How to reset the iPod s menus to English if they ve been changed to say Korean In tune with iTunes iTunes can do far more than your father s jukebox Learn how to pick and choose which parts of your iTunes library loads onto your iPod how to move your sacred iTunes Folder to a bigger hard drive and how to add album covers to your growing collection The power of the Pod Download movies and TV shows play photo slideshows find cool podcasts and more this book shows you how to unleash all your iPod s power iPod is simply the best music player available and this is the manual that should have come with it **2018 BMW X3 Owner Manual Compatible with OEM Owners Manual, Factory Glovebox Book** Helming,2018-05-26 **2020 BMW X3 Owner Manual Compatible with OEM Owners Manual, Factory Glovebox Book** Helming,2020-07-06 *2016 BMW X3 Owner Manual Compatible with OEM Owners Manual, Factory Glovebox Book* Helming,2016-05-20 **iPod** J. D. Biersdorfer,2003 Explains how to use the portable music player with a Windows PC or a Macintosh computer to perform functions including play music store personal contact and calendar information and use as a portable FireWire drive 2017 BMW X3 Owner Manual Compatible with OEM Owners Manual, Factory Glovebox Book Helming,2017-08-08 2021 BMW X3 Owner Manual Compatible with OEM Owners Manual, Factory Glovebox Book Helming,2021-03-15 **2014 BMW X3**

**Owner Manual Compatible with OEM Owners Manual, Factory Glovebox Book** Helming,2014-06-26     **2013 BMW X3 Owner Manual Compatible with OEM Owners Manual, Factory Glovebox Book** Helming,2015-05-10     **2019 BMW X3 Owner Manual Compatible with OEM Owners Manual, Factory Glovebox Book** Helming,2019-04-11

2023 BMW X3 Owner Manual Compatible with OEM Owners Manual, Factory Glovebox Book Helming,2023-11-07

**2022 BMW X3 Owner Manual Compatible with OEM Owners Manual, Factory Glovebox Book**

Helming,2022-03-15     **iPod: The Missing Manual** Biersdorfer Biersdorfer,David Pogue,2007-12-03 With iPod touch Apple's sleek little entertainment center has entered a whole new realm and the ultimate iPod book is ready to take you on a complete guided tour As breathtaking and satisfying as its subject iPod The Missing Manual gives you a no nonsense view of everything in the sixth generation iPod line Learn what you can do with iPod Touch and its multi touch interface 3 5 inch widescreen display and Wi Fi browsing capabilities Get to know the redesigned iPod Nano with its larger display and video storage capacity It's all right here The 6th edition sports easy to follow color graphics crystal clear explanations and guidance on the most useful things your iPod can do Topics include Out of the box and into your ears Learn how to install iTunes load music on your iPod and get rid of that dang flashing Do not disconnect message Bopping around the iPod Whether you've got a tiny Shuffle a Nano the Classic or the new Touch you'll learn everything from turning your iPod off and on to charging your iPod without a computer Special coverage for iPod owners with trickster friends How to reset the iPod's menus to English if they've been changed to say Korean In tune with iTunes iTunes can do far more than your father's jukebox Learn how to pick and choose which parts of your iTunes library loads onto your iPod how to move your sacred iTunes Folder to a bigger hard drive and how to add album covers to your growing collection The power of the Pod Download movies and TV shows play photo slideshows find cool podcasts and more this book shows you how to unleash all your iPod's power iPod is simply the best music player available and this is the manual that should have come with it     **iPod & iTunes** J. D. Biersdorfer,2004     **BMW 3-series** Robert Bentley, inc,Bentley Publishers,1991 Engine coverage1 8 liter 4 cylinder B18 2 7 liter 6 cylinder B27 2 5 liter 6 cylinder B25 Transmission coverageGetrag 240 4 cylinder cars Getrag 260 6 cylinder cars     **iPod** J. D. Biersdorfer,2012     *iPod* J. D. Biersdorfer,2003-08 iPod The Missing Manual is much more than it seems It not only covers all iPod models for both Mac and Windows including the super slim 2003 series it's also the ultimate guide to iTunes MusicMatch Jukebox Plus and even the new iTunes Music Store The iPod is the world's bestselling music player and in this book New York Times tech columnist J D Biersdorfer blows open the secret doors of this gleaming chrome and white beauty With humor and authority she lays bare an astonishing collection of useful tips tricks and shortcuts No matter what kind of music moves you iPod The Missing Manual will help you get much more out of your iPod and much more into it

Uncover the mysteries within Explore with is enigmatic creation, Discover the Intrigue in **Bmw X3 Ipod Interface Manual** . This downloadable ebook, shrouded in suspense, is available in a PDF format ( \*). Dive into a world of uncertainty and anticipation. Download now to unravel the secrets hidden within the pages.

<https://yousky7.com/public/browse/Documents/Biology%20Chapter%201study%20Guide%20Answer%20Key.pdf>

## **Table of Contents Bmw X3 Ipod Interface Manual**

1. Understanding the eBook Bmw X3 Ipod Interface Manual
  - The Rise of Digital Reading Bmw X3 Ipod Interface Manual
  - Advantages of eBooks Over Traditional Books
2. Identifying Bmw X3 Ipod Interface Manual
  - Exploring Different Genres
  - Considering Fiction vs. Non-Fiction
  - Determining Your Reading Goals
3. Choosing the Right eBook Platform
  - Popular eBook Platforms
  - Features to Look for in an Bmw X3 Ipod Interface Manual
  - User-Friendly Interface
4. Exploring eBook Recommendations from Bmw X3 Ipod Interface Manual
  - Personalized Recommendations
  - Bmw X3 Ipod Interface Manual User Reviews and Ratings
  - Bmw X3 Ipod Interface Manual and Bestseller Lists
5. Accessing Bmw X3 Ipod Interface Manual Free and Paid eBooks
  - Bmw X3 Ipod Interface Manual Public Domain eBooks
  - Bmw X3 Ipod Interface Manual eBook Subscription Services
  - Bmw X3 Ipod Interface Manual Budget-Friendly Options
6. Navigating Bmw X3 Ipod Interface Manual eBook Formats

- ePub, PDF, MOBI, and More
  - Bmw X3 Ipod Interface Manual Compatibility with Devices
  - Bmw X3 Ipod Interface Manual Enhanced eBook Features
7. Enhancing Your Reading Experience
    - Adjustable Fonts and Text Sizes of Bmw X3 Ipod Interface Manual
    - Highlighting and Note-Taking Bmw X3 Ipod Interface Manual
    - Interactive Elements Bmw X3 Ipod Interface Manual
  8. Staying Engaged with Bmw X3 Ipod Interface Manual
    - Joining Online Reading Communities
    - Participating in Virtual Book Clubs
    - Following Authors and Publishers Bmw X3 Ipod Interface Manual
  9. Balancing eBooks and Physical Books Bmw X3 Ipod Interface Manual
    - Benefits of a Digital Library
    - Creating a Diverse Reading Collection Bmw X3 Ipod Interface Manual
  10. Overcoming Reading Challenges
    - Dealing with Digital Eye Strain
    - Minimizing Distractions
    - Managing Screen Time
  11. Cultivating a Reading Routine Bmw X3 Ipod Interface Manual
    - Setting Reading Goals Bmw X3 Ipod Interface Manual
    - Carving Out Dedicated Reading Time
  12. Sourcing Reliable Information of Bmw X3 Ipod Interface Manual
    - Fact-Checking eBook Content of Bmw X3 Ipod Interface Manual
    - Distinguishing Credible Sources
  13. Promoting Lifelong Learning
    - Utilizing eBooks for Skill Development
    - Exploring Educational eBooks
  14. Embracing eBook Trends
    - Integration of Multimedia Elements
    - Interactive and Gamified eBooks

## **Bmw X3 Ipod Interface Manual Introduction**

Free PDF Books and Manuals for Download: Unlocking Knowledge at Your Fingertips In todays fast-paced digital age, obtaining valuable knowledge has become easier than ever. Thanks to the internet, a vast array of books and manuals are now available for free download in PDF format. Whether you are a student, professional, or simply an avid reader, this treasure trove of downloadable resources offers a wealth of information, conveniently accessible anytime, anywhere. The advent of online libraries and platforms dedicated to sharing knowledge has revolutionized the way we consume information. No longer confined to physical libraries or bookstores, readers can now access an extensive collection of digital books and manuals with just a few clicks. These resources, available in PDF, Microsoft Word, and PowerPoint formats, cater to a wide range of interests, including literature, technology, science, history, and much more. One notable platform where you can explore and download free Bmw X3 Ipod Interface Manual PDF books and manuals is the internets largest free library. Hosted online, this catalog compiles a vast assortment of documents, making it a veritable goldmine of knowledge. With its easy-to-use website interface and customizable PDF generator, this platform offers a user-friendly experience, allowing individuals to effortlessly navigate and access the information they seek. The availability of free PDF books and manuals on this platform demonstrates its commitment to democratizing education and empowering individuals with the tools needed to succeed in their chosen fields. It allows anyone, regardless of their background or financial limitations, to expand their horizons and gain insights from experts in various disciplines. One of the most significant advantages of downloading PDF books and manuals lies in their portability. Unlike physical copies, digital books can be stored and carried on a single device, such as a tablet or smartphone, saving valuable space and weight. This convenience makes it possible for readers to have their entire library at their fingertips, whether they are commuting, traveling, or simply enjoying a lazy afternoon at home. Additionally, digital files are easily searchable, enabling readers to locate specific information within seconds. With a few keystrokes, users can search for keywords, topics, or phrases, making research and finding relevant information a breeze. This efficiency saves time and effort, streamlining the learning process and allowing individuals to focus on extracting the information they need. Furthermore, the availability of free PDF books and manuals fosters a culture of continuous learning. By removing financial barriers, more people can access educational resources and pursue lifelong learning, contributing to personal growth and professional development. This democratization of knowledge promotes intellectual curiosity and empowers individuals to become lifelong learners, promoting progress and innovation in various fields. It is worth noting that while accessing free Bmw X3 Ipod Interface Manual PDF books and manuals is convenient and cost-effective, it is vital to respect copyright laws and intellectual property rights. Platforms offering free downloads often operate within legal boundaries, ensuring that the materials they provide are either in the public domain or authorized for distribution. By adhering to copyright laws, users can enjoy the benefits of free access to knowledge while supporting the authors and

publishers who make these resources available. In conclusion, the availability of Bmw X3 Ipod Interface Manual free PDF books and manuals for download has revolutionized the way we access and consume knowledge. With just a few clicks, individuals can explore a vast collection of resources across different disciplines, all free of charge. This accessibility empowers individuals to become lifelong learners, contributing to personal growth, professional development, and the advancement of society as a whole. So why not unlock a world of knowledge today? Start exploring the vast sea of free PDF books and manuals waiting to be discovered right at your fingertips.

### **FAQs About Bmw X3 Ipod Interface Manual Books**

How do I know which eBook platform is the best for me? Finding the best eBook platform depends on your reading preferences and device compatibility. Research different platforms, read user reviews, and explore their features before making a choice. Are free eBooks of good quality? Yes, many reputable platforms offer high-quality free eBooks, including classics and public domain works. However, make sure to verify the source to ensure the eBook credibility. Can I read eBooks without an eReader? Absolutely! Most eBook platforms offer webbased readers or mobile apps that allow you to read eBooks on your computer, tablet, or smartphone. How do I avoid digital eye strain while reading eBooks? To prevent digital eye strain, take regular breaks, adjust the font size and background color, and ensure proper lighting while reading eBooks. What the advantage of interactive eBooks? Interactive eBooks incorporate multimedia elements, quizzes, and activities, enhancing the reader engagement and providing a more immersive learning experience. Bmw X3 Ipod Interface Manual is one of the best book in our library for free trial. We provide copy of Bmw X3 Ipod Interface Manual in digital format, so the resources that you find are reliable. There are also many Ebooks of related with Bmw X3 Ipod Interface Manual. Where to download Bmw X3 Ipod Interface Manual online for free? Are you looking for Bmw X3 Ipod Interface Manual PDF? This is definitely going to save you time and cash in something you should think about. If you trying to find then search around for online. Without a doubt there are numerous these available and many of them have the freedom. However without doubt you receive whatever you purchase. An alternate way to get ideas is always to check another Bmw X3 Ipod Interface Manual. This method for see exactly what may be included and adopt these ideas to your book. This site will almost certainly help you save time and effort, money and stress. If you are looking for free books then you really should consider finding to assist you try this. Several of Bmw X3 Ipod Interface Manual are for sale to free while some are payable. If you arent sure if the books you would like to download works with for usage along with your computer, it is possible to download free trials. The free guides make it easy for someone to free access online library for download books to your device. You can get free download on free trial for lots of books categories. Our library is the biggest of these that have literally hundreds of thousands of different



products categories represented. You will also see that there are specific sites catered to different product types or categories, brands or niches related with Bmw X3 Ipod Interface Manual. So depending on what exactly you are searching, you will be able to choose e books to suit your own need. Need to access completely for Campbell Biology Seventh Edition book? Access Ebook without any digging. And by having access to our ebook online or by storing it on your computer, you have convenient answers with Bmw X3 Ipod Interface Manual To get started finding Bmw X3 Ipod Interface Manual, you are right to find our website which has a comprehensive collection of books online. Our library is the biggest of these that have literally hundreds of thousands of different products represented. You will also see that there are specific sites catered to different categories or niches related with Bmw X3 Ipod Interface Manual So depending on what exactly you are searching, you will be able to choose ebook to suit your own need. Thank you for reading Bmw X3 Ipod Interface Manual. Maybe you have knowledge that, people have search numerous times for their favorite readings like this Bmw X3 Ipod Interface Manual, but end up in harmful downloads. Rather than reading a good book with a cup of coffee in the afternoon, instead they juggled with some harmful bugs inside their laptop. Bmw X3 Ipod Interface Manual is available in our book collection an online access to it is set as public so you can download it instantly. Our digital library spans in multiple locations, allowing you to get the most less latency time to download any of our books like this one. Merely said, Bmw X3 Ipod Interface Manual is universally compatible with any devices to read.

**Find Bmw X3 Ipod Interface Manual :**

**biology chapter 1 study guide answer key**

*biology chapter 53 guide answers*

*bio chapter 43 guide answers*

**biology gce o level past papers**

~~biology cell structure directed reading answers~~

~~biology chapter 10 study guide answers~~

biography report rubric 3rd grade

biography vocabulary 3rd grade

~~biology exploring life concept check answers~~

~~biology corner nervous system concept map answers~~

*bio cie as threshold*

biological molecule review guide answer

**biology 1 edition mader**

**biogigest 8 invertebrates answers**  
**biology 9722 marking scheme oct nov 2013**

**Bmw X3 Ipod Interface Manual :**

*atelier écriture la classe de mallory - May 28 2023*

dans la classe je travaille l écrit en atelier d écriture nous étudions différentes stratégies d écrivain et les élèves les réutilisent ensuite dans leurs écrits pour faciliter la

**6 ateliers d écriture à faire avec les enfants succès assuré - Feb 22 2023**

aug 31 2021 la langue française est pleine de mots bizarres d expressions et métaphores hilarantes et de jeux de mots difficiles à répéter alors cet été s il pleut lancez vous avec vos

**ateliers ma c moires pour sa c niors ecriture ma - Nov 21 2022**

ateliers ma c moires pour sa c niors ecriture ma is open in our digital library an online permission to it is set as public appropriately you can download it instantly our digital library

**ateliers institut français de maurice - Feb 10 2022**

oct 28 2023 découvrez la richesse de sa médiathèque formez vous grâce au centre de formation et pour vos études supérieures en france faites appel à campus france la

*ateliers ma c moires pour sa c niors ecriture ma pdf - Apr 26 2023*

merely said the ateliers ma c moires pour sa c niors ecriture ma is universally compatible with any devices to read le compilateur 1842 unesco general history of africa vol i

*ateliers ma c moires pour sa c niors ecriture ma download - Jun 28 2023*

ateliers ma c moires pour sa c niors ecriture ma animer un atelier d écriture pour tous l imprimerie ptie l ecole attique 1 les vases à figures noires 2 les vases à figures

*ateliers ma c moires pour sa c niors ecriture ma 2022 - Jul 30 2023*

l atelier de marie claire dépeint la vie quotidienne de la bergère solognote devenue adolescente et montée à paris pour apprendre le métier de couturière

*atelier ecrit la classe de mallory - Dec 23 2022*

l atelier ecrit est une façon de mettre en place la production d écrits ou rédaction en classe de manière non traditionnelle durant cet atelier les élèves vont apprendre différentes

*ateliers ma c moires pour sa c niors ecriture ma monograf - Mar 14 2022*

ateliers ma c moires pour sa c niors ecriture ma 1 ateliers ma c moires pour sa c niors ecriture ma getting the books ateliers

ma c moires pour sa c niors ecriture ma now is

**ateliers ma c moires pour sa c niors ecriture ma wodbydesign** - Dec 11 2021

merely said the ateliers ma c moires pour sa c niors ecriture ma is universally compatible with any devices to read ateliers

ma c moires pour sa c niors ecriture ma downloaded

ateliers ma c moires pour sa c niors ecriture ma copy - Oct 21 2022

ateliers ma c moires pour sa c niors ecriture ma les enfants de roches noires t2 ceux de la terre le magasin pittoresque l

autostoppeur 9 nouvelles noires pour nuits blanches

ateliersmacmoirespoursacniorsecriturema sadillow full pdf - Apr 14 2022

1 ateliersmacmoirespoursacniorsecriturema thank you for downloading ateliersmacmoirespoursacniorsecriturema maybe you have knowledge that people have

*ateliers ma c moires pour sa c niors ecriture ma copy* - Jun 16 2022

ateliers ma c moires pour sa c niors ecriture ma 2 3 downloaded from uniport edu ng on july 28 2023 by guest biographie

universelle ancienne et moderne 1843 oeuvres compltes de

**ateliers ma c moires pour sa c niors ecriture ma copy** - Aug 19 2022

dictionnaire des arts et manufactures et de l agriculture cl im ateliers ma c moires pour sa c niors ecriture ma downloaded

from aveannamedicalolutions buyerads com by guest

pdf ateliers m̃ moires pour s̃ niors ecriture m̃ moire ecrire - Oct 01 2023

pdf ateliers m̃ moires pour s̃ niors ecriture m̃ moire ecrire en pdf 59zrl4xf ateliers ma c moires pour sa c niors ecriture ma

nh pdf ateliers m̃ moires pour s̃ niors

**ateliers ma c moires pour sa c niors ecriture ma 2022** - Jul 18 2022

4 ateliers ma c moires pour sa c niors ecriture ma 2021 01 04 matériau lisible et visible le design graphique est un maillon

relieur dans un ensemble culturel sociétal et technique de

ateliers ma c moires pour sa c niors ecriture ma - Mar 26 2023

4 ateliers ma c moires pour sa c niors ecriture ma 2022 02 08 caudron un don évident une détermination sans faille un besoin

vital de liberté lui vaudront de réussir sa folle entreprise et

**ateliers ma c moires pour sa c niors ecriture ma pdf** - Nov 09 2021

2 ateliers ma c moires pour sa c niors ecriture ma 2023 10 08 encyclopedie methodique jc lattès un autostoppeur sanguinaire

des cannibales mangeurs d enfants des disparitions

**les ateliers d art de saint maur cours musique et arts plastiques** - May 16 2022

depuis 1985 l association les ateliers d art de saint maur est un lieu convivial et intergénérationnel de découverte et de

perfectionnement de la pratique de la musique et des

**ateliersmacmoirespoursacniorsecriturema book** - Jan 24 2023

1 ateliersmacmoirespoursacniorsecriturema as recognized adventure as skillfully as experience not quite lesson amusement as well as harmony can be gotten by just

*ateliers ma c moires pour sa c niors ecriture ma 2022 dotnbm* - Jan 12 2022

ateliers ma c moires pour sa c niors ecriture ma journal des demoiselles dictionnaire des arts et manufactures l atelier la femme au salon et le mari a l atelier comedie vaudeville en

**ateliers ma c moires pour sa c niors ecriture ma download** - Sep 19 2022

4 ateliers ma c moires pour sa c niors ecriture ma 2022 02 15 l ombre de la cathédrale mélodie cambrone enquête l air retentit de coups de tonnerre et de coups de fusils mais

*ateliers ma c moires pour sa c niors ecriture ma download* - Aug 31 2023

reviewing ateliers ma c moires pour sa c niors ecriture ma unlocking the spellbinding force of linguistics in a fast paced world fueled by information and interconnectivity the

in dreams the lord of the rings piano duet easy - Oct 05 2022

web 4 55k subscribers 284 views 10 months ago instrucciones guidelines toca la partitura en pantalla tu serás la melodía principal antes de empezar escucha el doble conteo de 4 tiempos

**the lord of the rings main theme piano version youtube** - Jul 14 2023

web dec 14 2018 patrik pietschmann 1 84m subscribers subscribe 139k 9 3m views 4 years ago stream download lnk to dwc8ce sheet music mnot es 2zvzedk learn piano with flowkey

**the lord of the ring piano download free sheet music and scores** - Jun 01 2022

web the lord of the ring piano sheet music scorch original bilbo s song in the lord of the rings i sit beside the fire and think piano duet translation arranged for piano and horn charles mcreery horn in f plan sheet music original the lord of the rings piano wip violin strings piccolo flute oboe clarinet

**the lord of the rings sheet music musicnotes com** - Dec 07 2022

web download sheet music for the lord of the rings choose from the lord of the rings sheet music for such popular songs as concerning hobbits concerning hobbits from the lord of the rings and in dreams print instantly or sync to

**best lord of the rings piano sheet music pianobook** - Aug 03 2022

web leiki ueda for sure is one of our favorite pianists with his arrangement of the lord of the rings music he has created another masterpiece at 15 minutes it is perfect to listen to in the background during your lunch break if you d

**lord of the rings the shire 4 hands piano cover youtube** - Apr 11 2023

web improv over the shire or hobbits theme from lord of the rings the lotr soundtrack is by howard shore enjoyyyyyy d

**lord of the rings sheet music musescore com** - Jan 08 2023

web play print and download in pdf or midi sheet music from lord of the rings set collected by oliverkmusic complete recordings and original ost

*lord of the rings piano duet 2022 sam arabtravelers* - Dec 27 2021

web let it snow rockin around the christmas tree sleigh ride winter wonderland the lord of the rings miami fla warner bros publications dan coates has added his expert touch to 12 popular songs from the top of the charts as well as from recent movies

**into the west lord of the rings easy version piano letter notes** - Feb 09 2023

web mar 11 2021 into the west lord of the rings easy version piano letter notes learn how to play into the west lord of the rings easy version with easy piano letter notes sheet music for beginners suitable to play on piano keyboard flute guitar cello violin clarinet trumpet saxophone viola and any other similar instruments you need easy

**alcaeru s sheet music home** - Jul 02 2022

web dec 3 2016 there s a lot of very high quality sheet music from the lord of the rings and the hobbit that s not on this website why don t you have a look at the official music from each of the films you can purchase the music in both physical and kindle format from amazon links are below

**the lord of the rings alcaeru s sheet music** - Apr 30 2022

web at certain points translation was not possible due to the jumbling of syntax in matching words to the music this transcription was done by a fan of howard shore s score and tolkien s works for the interest of other fans it was inspired by alcaeru s website alcaeru weebly com and doug adams s wonderful book the music of the lord

the lord of the rings snes main theme charles deenen - Jun 13 2023

web apr 27 2023 uploaded on apr 27 2023 a piano version of the main theme from the lord of the rings for the super nintendo entertainment system snes by charles deenen you can listen to the original version here youtube com watch v y11gx6wkvzm

**the lord of the rings piano suite leiki ueda youtube** - May 12 2023

web sheet music available musicnotes com l lkmb request me to create an arrangement leikiueda com services download stream this audi

*lord of the rings the hobbit medley sheet music for piano piano duo* - Sep 04 2022

web download and print in pdf or midi free sheet music for medley by misc arranged by unregistered user for piano piano duo lord of the rings the hobbit medley sheet music for piano piano duo musescore com

**lord of the rings violin and piano duet chamber ensemble** - Jan 28 2022

web sheet music of lord of the rings arranged for violin and piano duet chamber ensemble

[mert bozdemir the lord of the rings piano medley sheet music piano](#) - Nov 06 2022

web print and download the lord of the rings piano medley sheet music by mert bozdemir arranged for piano instrumental solo in a major sku mn0202581

[concerning hobbits sheet music 39 arrangements available](#) - Mar 10 2023

web the lord of the rings and 15 more browse our 39 arrangements of concerning hobbits sheet music is available for piano voice guitar and 28 others with 10 scorings and 3 notations in 3 genres find your perfect arrangement and access a variety of transpositions so you can print and play instantly anywhere

*into the west the lord of the rings the return of the king piano duet* - Aug 15 2023

web the lord of the rings 20th anniversary ultimate medley for piano you tube fpnti2gfag4we have come to journey s end for lord of the rings there is

**free sheet music lord of the rings piano download pdf mp3** - Feb 26 2022

web piano suite the lord of the rings principal composer orsa lena sheet music hark the herald angels sing ensemble for piano organ english handbells and choir satb soprano descant principal composer

[lord of the rings in dreams piano duet youtube](#) - Mar 30 2022

web chris playing in dreams with mrs carlson june 2012

[chroniques de la ra c volution a c gyptienne pdf book](#) - Sep 26 2022

web jun 17 2023 chroniques de la ra c volution a c gyptienne pdf if you ally compulsion such a referred chroniques de la ra c volution a c gyptienne pdf books that will pay for you worth acquire the unconditionally best seller from us currently from several preferred authors if you want to droll books lots of novels tale jokes and more fictions collections

**chroniques de la ra c volution a c gyptienne pdf** - Jul 25 2022

web this online declaration chroniques de la ra c volution a c gyptienne can be one of the options to accompany you in imitation of having additional time it will not waste your time recognize me the e book will very tell you other situation to read just invest tiny get older to gate this on line message chroniques de la ra c volution a c

*architecture Égyptienne ancienne encyclopédie de l histoire du* - Nov 28 2022

web sep 18 2016 les pyramides de gizeh datent de l ancien empire vers 2613 2181 av jc et elles représentent l apogée du talent et des compétences acquises à cette époque l histoire de l Égypte ancienne avait cependant encore un long et illustre chemin à parcourir et à mesure que la forme pyramidale fut abandonnée les Égyptiens concentrèrent leur

[chroniques de la ra c volution a c gyptienne download only](#) - May 03 2023

web chroniques de la ra c volution a c gyptienne 3 3 andmanuscript illumination her exploration of aspects of chivalry particularly the choice of mottoes and devices worn at tournaments and of the exchange of gifts of clothing

[chroniques de la ra c volution a c gyptienne pdf full pdf](#) - Sep 07 2023

web chroniques de la ra c volution a c gyptienne pdf pages 3 7 chroniques de la ra c volution a c gyptienne pdf upload suny f williamson 3 7 downloaded from signups myamcat com on october 3 2023 by suny f williamson contribute to new knowledge in mineral research they show that the geodynamic evolution of the wac is

[chroniques de la ra c volution a c gyptienne pdf](#) - Jun 04 2023

web chroniques de la ra c volution a c gyptienne 1 chroniques de la ra c volution a c gyptienne recognizing the showing off ways to acquire this ebook chroniques de la ra c volution a c gyptienne is additionally useful you have remained in right site to start getting this info get the

[chroniques de la révolution égyptienne actes sud](#) - Oct 28 2022

web chroniques de la révolution égyptienne lire un extrait alaa el aswany observateur et acteur très engagé dans les bouleversements dont ses romans faisaient pressentir l urgence alaa el aswany propose ici tel un état des lieux un ensemble de chroniques écrites avant pendant et après le séisme de la révolution égyptienne et cet

[loading interface goodreads](#) - Jan 31 2023

web discover and share books you love on goodreads

[chroniques de la ra c volution a c gyptienne pdf 2023](#) - Aug 26 2022

web chroniques de la ra c volution a c gyptienne pdf reviewing chroniques de la ra c volution a c gyptienne pdf unlocking the spellbinding force of linguistics in a fast paced world fueled by information and interconnectivity the spellbinding force of linguistics has acquired newfound prominence its capacity to evoke

[chroniques de la ra c volution a c gyptienne pdf pdf](#) - Jun 23 2022

web chroniques de la ra c volution a c gyptienne pdf eventually you will extremely discover a supplementary experience and achievement by spending more cash nevertheless when realize you put up with that you require to get those every needs gone having significantly cash why dont you try to acquire something basic in the beginning

[chroniques de la ra c volution a c gyptienne full pdf](#) - Jul 05 2023

web 2 chroniques de la ra c volution a c gyptienne 2023 02 26 households at the time of the black prince and of chaucer showing europe wide influences 1340 to 1363 were years remarkable for dramatic developments in fashion and for extravagant spending on costume foreshadowing the later

[chroniques de la ra c volution a c gyptienne pdf getasteria](#) - Apr 02 2023

web chroniques de la ra c volution a c gyptienne index catalogue of the library of the surgeon general s office united states

army tat pr sent de la noblesse fran aise contenant le dictionnaire de la noblesse contemporaine revue d anthropologie grand dictionnaire universel du xixe siecle francais a z 1805 76

**chroniques de la révolution égyptienne by alaa el aswany** - Apr 21 2022

web la fayette isbn 9782213023403 pdf epub etienne la bataille d alep chroniques de la rvolution syrienne la r volution avort e biographie db0nus869y26v cloudfro net chaines qui ont promu les chroniques de rorschach l nigme gyptienne 16 les seigneurs de la guerre chroniques d un malade visite et note ce blog avec

chroniques de la ra c volution a c gyptienne pdf gerard j - Dec 30 2022

web jun 13 2023 chroniques de la ra c volution a c gyptienne pdf when people should go to the book stores search establishment by shop shelf by shelf it is in reality problematic this is why we give the book compilations in this website it will enormously ease you to look guide chroniques de la ra c volution a c gyptienne pdf as you

chroniques de la ra c volution a c gyptienne louis baudin - Oct 08 2023

web le groupe de recherche balneorient ont mene une serie d etudes multidisciplinaires portant sur le bain collectif et la culture balneaire des societes egyptiennes entre le ive s av j c et l epoque ottomane apres un premier volume publie en 2009 qui a permis de dresser un premier etat des lieux le present livre reunit des etudes de cas

*chroniques de la révolution égyptienne by alaa el aswany* - Feb 17 2022

web jun 11 2023 pdf revue de la litterature la lombalgie chronique quand lvolution de notre socit fragilise la la bataille d alep chroniques de la rvolution syrienne planet georezo georezo net g oblogs addiktv pure fiction cinema valle des temptes la c a s c l in iq u e a bc s chroniques pen ser u n e m l nigme gyptienne 16 les seigneurs de la

**chroniques de la ra c volution a c gyptienne pdf free download** - May 23 2022

web generalites l ulcère gastro duodéal chronique est une perte de substance reposant sur un socle scléreux et qui atteint la musculature ce qui le différencie des pertes de substance plus superficielles jan 9th 2023 séminaire d analyse d ordonnances de patients chroniques le fait d être en

**chroniques de la révolution égyptienne by alaa el aswany** - Aug 06 2023

web lectrices des chroniques de la plume et du rouleau quest il y a enseign le volution et de site citations extraits de la voie du sabre tome 1 les cendres 24 juil 2014 face au rouleau presseur des thuriféraires de l art contemporain grands atterré de voir sous la plume d un ancien ministre de l Éducation nationale chroniques des l i m i t

**chroniques de la révolution égyptienne by alaa el aswany** - Mar 21 2022

web jun 4 2023 la r volution avort e gratuit lectroniques 89 t l charger la vend e et la le site de rgis debray politique bibliographie egalite et rconciliation les principales plications somatiques de l la sant personnalise une r volution amp en marche de la journe des tuiles thermidor la rvolution full text of les chroniques



**chroniques de la révolution égyptienne wikipédia** - Mar 01 2023

web de fréquentes comparaisons avec les systèmes politiques et judiciaires occidentaux illustrent les manquements à la transparence à l'égalité des chances etc de même les comparaisons avec l'Égypte du début du xx e siècle présentent l'Égypte de l'ère moubarak comme une période de régression