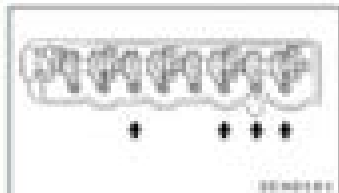


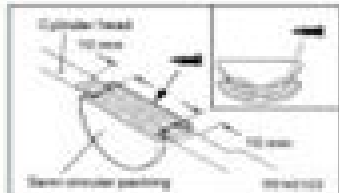
# Mitsubishi Challenger 1997-2008 Workshop Manual



- If the clearance is outside the standard value, loosen the lock nut of the rocker arm and adjust by turning the adjusting screw while using a thickness gauge to measure the clearance.
- Tighten the lock nut while holding the adjusting screw with a screwdriver so that it doesn't turn.
- Turn the crankshaft 360° clockwise to bring No. 4 cylinder to the top dead centre position.



- Measure the valve clearances at the places indicated by arrows in the illustration. If the clearance is not within the standard value, repeat steps 7 and 8 above.



- Apply specified paste to the portion of the semi-circular packing shown in the illustration.  
Specified paste: 3M ATF Part No. 8999 or equivalent.
- Install the rocker cover.
- Install the timing belt upper cover.



## INJECTION TIMING ADJUSTMENT

- Warm up the engine and check to be sure that the test oil lamp is lit and the accelerator lever is fully depressed.
- Turn the timing belt upper cover.

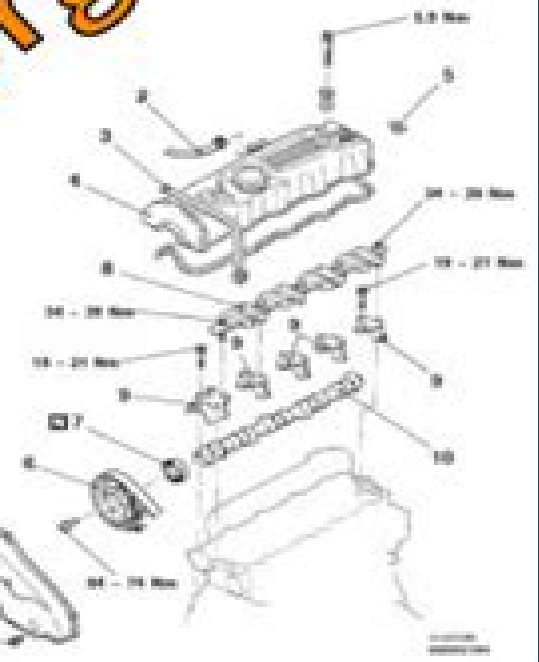


- Align the timing marks of the camshaft sprocket and set the No. 1 cylinder to the top dead centre position.

## CAMSHAFT AND CAMSHAFT OIL SEAL REMOVAL AND INSTALLATION

Pre-removal and Post-installation Operation

- Use the following removal and installation (Refer to GROUP 14.)



PDF Download

workshopmanuals.org

- ### Camshaft removal steps
- Timing belt upper cover assembly
  - Breather hose connection
  - Boost hose connection
  - Rocker cover
  - Semi-circular packing
  - Camshaft sprocket
  - Camshaft oil seal
  - Rocker arm and shaft assembly
  - Camshaft bearing cap
  - Camshaft

- ### Camshaft oil seal removal steps
- Timing belt upper cover assembly
  - Camshaft sprocket
  - Camshaft oil seal



# [Down Load Mitsubishi Challenger Manual](#)

**Thillainathan Path  
Pathmanathan,Thillainathan ""Path"".  
Pathmanathan**

## **Down Load Mitsubishi Challenger Manual:**

*The Book of the Lamborghini Murciélago* Thillainathan Path Pathmanathan,Thillainathan ""Path"". Pathmanathan,2021 A unique book dedicated to the Murcielago Lamborghini s iconic flagship with its V12 Bizzarrini engine spaceframe chassis and scissor doors This was the last car to use the classic Bizzarrini engine **Mitsubishi Challenger** JPNZ (Firm),199?

**2014 M/Y Challenger** ,2013 12 MY PB Challenger ,2011 2013 M/Y PB Challenger ,2012 **2011 M/Y PB Challenger** ,2010 *Mitsubishi Pajero Operator's Manual* ,1996 **Mitsubishi Pajero Mini 660cc English Mechanical Factory Service Manual** James Danko,2011 **Mitsubishi Pajero 2000 to 2010** Editors Ellery Publications,2009-12-15 Mitsubishi Pajero 2000 to 2010 Petrol Gasoline and Diesel engines including Common Rail and Turbo with World Wide Spec s This manual has over 500 pages It has step by step instructions in every chapter Covering both model produced the Station Wagons and tray models **Mitsubishi Pajero Automotive Repair Manual** Jeff Killingsworth,John Harold Haynes,2012-09-01 This is a maintenance and repair manual for the DIY mechanic The book covers the Mitsubishi Pajero 1997 2009 models *2013 Dodge Challenger Owner Manual Compatible with OEM Owners Manual, Factory Glovebox Book* Helming,2013-06-05 *Mitsubishi Pajero Automotive Repair Manual* Larry Warren,John Harold Haynes,2005 Series NL NM NP NS NT with 3 0L 3 5L 3 8L petrol engines and 2 8L 3 2L diesel engines *Mitsubishi Pajero Operators Manual* ,1989 Mitsubishi Operator's Manual ,1999 *Mitsubishi FM-FN-BM Chassis Workshop Manual* Mitsubishi Shōji Kabushiki Kaisha, *Mitsubishi Engine and Transmission Workshop Manual* Mitsubishi Jidōsha Kōgyō Kabushiki Kaisha,1985 2014 Dodge Challenger - OEM Owners Manual Compatible with OEM Owners Manual, Factory Glovebox Book Helming,2014-05-27 Dodge Challenger and Plymouth Sapporo, 1978 Thru 1983 John Haynes,Larry Holt,1983-11 Haynes offers the best coverage for cars trucks vans SUVs and motorcycles on the market today Each manual contains easy to follow step by step instructions linked to hundreds of photographs and illustrations Included in every manual troubleshooting section to help identify specific problems tips that give valuable short cuts to make the job easier and eliminate the need for special tools notes cautions and warnings for the home mechanic color spark plug diagnosis and an easy to use index **Mitsubishi I-MiEV** ,2010 **Mitsubishi Operator's Manual** Mitsubishi Motors Australia,1994

When somebody should go to the ebook stores, search instigation by shop, shelf by shelf, it is essentially problematic. This is why we offer the ebook compilations in this website. It will totally ease you to look guide **Down Load Mitsubishi Challenger Manual** as you such as.

By searching the title, publisher, or authors of guide you in reality want, you can discover them rapidly. In the house, workplace, or perhaps in your method can be every best area within net connections. If you point to download and install the Down Load Mitsubishi Challenger Manual, it is unquestionably simple then, previously currently we extend the associate to buy and create bargains to download and install Down Load Mitsubishi Challenger Manual suitably simple!

[https://yousky7.com/data/detail/HomePages/Bareback\\_With\\_The\\_Brat\\_2\\_Forbidden\\_Taboo\\_Fantasies.pdf](https://yousky7.com/data/detail/HomePages/Bareback_With_The_Brat_2_Forbidden_Taboo_Fantasies.pdf)

## **Table of Contents Down Load Mitsubishi Challenger Manual**

1. Understanding the eBook Down Load Mitsubishi Challenger Manual
  - The Rise of Digital Reading Down Load Mitsubishi Challenger Manual
  - Advantages of eBooks Over Traditional Books
2. Identifying Down Load Mitsubishi Challenger Manual
  - Exploring Different Genres
  - Considering Fiction vs. Non-Fiction
  - Determining Your Reading Goals
3. Choosing the Right eBook Platform
  - Popular eBook Platforms
  - Features to Look for in an Down Load Mitsubishi Challenger Manual
  - User-Friendly Interface
4. Exploring eBook Recommendations from Down Load Mitsubishi Challenger Manual
  - Personalized Recommendations
  - Down Load Mitsubishi Challenger Manual User Reviews and Ratings
  - Down Load Mitsubishi Challenger Manual and Bestseller Lists

5. Accessing Down Load Mitsubishi Challenger Manual Free and Paid eBooks
  - Down Load Mitsubishi Challenger Manual Public Domain eBooks
  - Down Load Mitsubishi Challenger Manual eBook Subscription Services
  - Down Load Mitsubishi Challenger Manual Budget-Friendly Options
6. Navigating Down Load Mitsubishi Challenger Manual eBook Formats
  - ePub, PDF, MOBI, and More
  - Down Load Mitsubishi Challenger Manual Compatibility with Devices
  - Down Load Mitsubishi Challenger Manual Enhanced eBook Features
7. Enhancing Your Reading Experience
  - Adjustable Fonts and Text Sizes of Down Load Mitsubishi Challenger Manual
  - Highlighting and Note-Taking Down Load Mitsubishi Challenger Manual
  - Interactive Elements Down Load Mitsubishi Challenger Manual
8. Staying Engaged with Down Load Mitsubishi Challenger Manual
  - Joining Online Reading Communities
  - Participating in Virtual Book Clubs
  - Following Authors and Publishers Down Load Mitsubishi Challenger Manual
9. Balancing eBooks and Physical Books Down Load Mitsubishi Challenger Manual
  - Benefits of a Digital Library
  - Creating a Diverse Reading Collection Down Load Mitsubishi Challenger Manual
10. Overcoming Reading Challenges
  - Dealing with Digital Eye Strain
  - Minimizing Distractions
  - Managing Screen Time
11. Cultivating a Reading Routine Down Load Mitsubishi Challenger Manual
  - Setting Reading Goals Down Load Mitsubishi Challenger Manual
  - Carving Out Dedicated Reading Time
12. Sourcing Reliable Information of Down Load Mitsubishi Challenger Manual
  - Fact-Checking eBook Content of Down Load Mitsubishi Challenger Manual
  - Distinguishing Credible Sources
13. Promoting Lifelong Learning

- Utilizing eBooks for Skill Development
  - Exploring Educational eBooks
14. Embracing eBook Trends
- Integration of Multimedia Elements
  - Interactive and Gamified eBooks

### **Down Load Mitsubishi Challenger Manual Introduction**

In today's digital age, the availability of Down Load Mitsubishi Challenger Manual books and manuals for download has revolutionized the way we access information. Gone are the days of physically flipping through pages and carrying heavy textbooks or manuals. With just a few clicks, we can now access a wealth of knowledge from the comfort of our own homes or on the go. This article will explore the advantages of Down Load Mitsubishi Challenger Manual books and manuals for download, along with some popular platforms that offer these resources. One of the significant advantages of Down Load Mitsubishi Challenger Manual books and manuals for download is the cost-saving aspect. Traditional books and manuals can be costly, especially if you need to purchase several of them for educational or professional purposes. By accessing Down Load Mitsubishi Challenger Manual versions, you eliminate the need to spend money on physical copies. This not only saves you money but also reduces the environmental impact associated with book production and transportation. Furthermore, Down Load Mitsubishi Challenger Manual books and manuals for download are incredibly convenient. With just a computer or smartphone and an internet connection, you can access a vast library of resources on any subject imaginable. Whether you're a student looking for textbooks, a professional seeking industry-specific manuals, or someone interested in self-improvement, these digital resources provide an efficient and accessible means of acquiring knowledge. Moreover, PDF books and manuals offer a range of benefits compared to other digital formats. PDF files are designed to retain their formatting regardless of the device used to open them. This ensures that the content appears exactly as intended by the author, with no loss of formatting or missing graphics. Additionally, PDF files can be easily annotated, bookmarked, and searched for specific terms, making them highly practical for studying or referencing. When it comes to accessing Down Load Mitsubishi Challenger Manual books and manuals, several platforms offer an extensive collection of resources. One such platform is Project Gutenberg, a nonprofit organization that provides over 60,000 free eBooks. These books are primarily in the public domain, meaning they can be freely distributed and downloaded. Project Gutenberg offers a wide range of classic literature, making it an excellent resource for literature enthusiasts. Another popular platform for Down Load Mitsubishi Challenger Manual books and manuals is Open Library. Open Library is an initiative of the Internet Archive, a non-profit organization dedicated to digitizing cultural artifacts and making them accessible to the public. Open Library

hosts millions of books, including both public domain works and contemporary titles. It also allows users to borrow digital copies of certain books for a limited period, similar to a library lending system. Additionally, many universities and educational institutions have their own digital libraries that provide free access to PDF books and manuals. These libraries often offer academic texts, research papers, and technical manuals, making them invaluable resources for students and researchers. Some notable examples include MIT OpenCourseWare, which offers free access to course materials from the Massachusetts Institute of Technology, and the Digital Public Library of America, which provides a vast collection of digitized books and historical documents. In conclusion, Down Load Mitsubishi Challenger Manual books and manuals for download have transformed the way we access information. They provide a cost-effective and convenient means of acquiring knowledge, offering the ability to access a vast library of resources at our fingertips. With platforms like Project Gutenberg, Open Library, and various digital libraries offered by educational institutions, we have access to an ever-expanding collection of books and manuals. Whether for educational, professional, or personal purposes, these digital resources serve as valuable tools for continuous learning and self-improvement. So why not take advantage of the vast world of Down Load Mitsubishi Challenger Manual books and manuals for download and embark on your journey of knowledge?

### **FAQs About Down Load Mitsubishi Challenger Manual Books**

How do I know which eBook platform is the best for me? Finding the best eBook platform depends on your reading preferences and device compatibility. Research different platforms, read user reviews, and explore their features before making a choice. Are free eBooks of good quality? Yes, many reputable platforms offer high-quality free eBooks, including classics and public domain works. However, make sure to verify the source to ensure the eBook credibility. Can I read eBooks without an eReader? Absolutely! Most eBook platforms offer web-based readers or mobile apps that allow you to read eBooks on your computer, tablet, or smartphone. How do I avoid digital eye strain while reading eBooks? To prevent digital eye strain, take regular breaks, adjust the font size and background color, and ensure proper lighting while reading eBooks. What the advantage of interactive eBooks? Interactive eBooks incorporate multimedia elements, quizzes, and activities, enhancing the reader engagement and providing a more immersive learning experience. Down Load Mitsubishi Challenger Manual is one of the best book in our library for free trial. We provide copy of Down Load Mitsubishi Challenger Manual in digital format, so the resources that you find are reliable. There are also many Ebooks of related with Down Load Mitsubishi Challenger Manual. Where to download Down Load Mitsubishi Challenger Manual online for free? Are you looking for Down Load Mitsubishi Challenger Manual PDF? This is definitely going to save you time and cash in something you should think about.

**Find Down Load Mitsubishi Challenger Manual :**

**bareback with the brat 2 forbidden taboo fantasies**

~~basic and clinical immunology~~

~~barina tk manual~~

~~barangwanath hospital application form for 2016~~

~~barlowworld training manual~~

**band of stepbrothers stepbrother menage romance english edition**

**barisal hsc english suggestion 2015**

~~barco micb 1340 owners manual~~

**baltic guide guide insight insight state**

~~barrons guide to law schools~~

~~baoxing g16 user guide~~

**banner american sh92050p owners manual**

~~basic econometrics 20dn gujrati~~

~~barisal bored er college er question~~

~~basic econometrics 4th edition~~

**Down Load Mitsubishi Challenger Manual :**

[in fuga il mio romanzo con gli eroi della bici goodreads](#) - Jun 29 2023

nov 13 2018 [in fuga il mio romanzo con gli eroi della bici](#) [davide de zan](#) 3 61 18 ratings5 reviews una figura solitaria spunta dalla nebbia mentre tutto intorno infuria una tempesta di

[in fuga il mio romanzo con gli eroi della bici formato kindle](#) - May 29 2023

[in fuga il mio romanzo con gli eroi della bici ebook](#) [de zan davide](#) amazon it libri

[in fuga il mio romanzo con gli eroi della bici amazon com br](#) - Jan 13 2022

[in fuga il mio romanzo con gli eroi della bici ebook](#) [de zan davide](#) amazon it libri

**[in fuga il mio romanzo con gli eroi della bici ebook epub fnac](#)** - Jun 17 2022

[in fuga il mio romanzo con gli eroi della bici](#) [de zan davide](#) on amazon com au free shipping on eligible orders [in fuga il mio romanzo con gli eroi della bici](#)

**[in fuga il mio romanzo con gli eroi della bici libreria universitaria](#)** - Sep 20 2022



in fuga il mio romanzo con gli eroi della bici è un ebook di de zan davide pubblicato da piemme il file è nel formato epub2  
libraccio it

in fuga il mio romanzo con gli eroi della bici formato kindle - Dec 12 2021

*in fuga il mio romanzo con gli eroi della bici libreria ibs* - Mar 27 2023

in fuga il mio romanzo con gli eroi della bici è un ebook di de zan davide pubblicato da piemme a 6 99 il file è in formato  
epub2 con adobe drm risparmia online con le offerte ibs

*in fuga il mio romanzo con gli eroi della bici libreria universitaria* - Feb 11 2022

compre online in fuga il mio romanzo con gli eroi della bici de de zan davide na amazon frete grÁtis em milhares de produtos  
com o amazon prime encontre diversos livros em

amazon com customer reviews in fuga il mio romanzo con gli - Jul 19 2022

il mio romanzo con gli eroi della bici in fuga davide de zan edizioni piemme des milliers de livres avec la livraison chez vous  
en 1 jour ou en magasin avec 5 de réduction in fuga

in fuga il mio romanzo con gli eroi della bici amazon it - Sep 01 2023

davide dezan ci racconta con il suo stile emozionante e coinvolgente alcune storie di campioni di ciclismo mettendone in  
evidenza il lato umano più nascosto alcune storie sono

in fuga il mio romanzo con gli eroi della bici davide - Feb 23 2023

nov 13 2018 in fuga il mio romanzo con gli eroi della bici italian edition kindle edition by de zan davide download it once  
and read it on your kindle device pc phones or tablets

**in fuga il mio romanzo con gli eroi della bici lafeltrinelli** - Dec 24 2022

in fuga il mio romanzo con gli eroi della bici una figura solitaria spunta dalla nebbia mentre tutto intorno infuria una  
tormenta di neve sfreccia via veloce e un attimo dopo la nebbia torna

**in fuga il mio romanzo con gli eroi della bici amazon it** - Oct 02 2023

davide dezan ci racconta con il suo stile emozionante e coinvolgente alcune storie di campioni di ciclismo mettendone in  
evidenza il lato umano più nascosto alcune storie sono

**in fuga il mio romanzo con gli eroi della bici de zan davide** - Nov 22 2022

nov 13 2018 in fuga il mio romanzo con gli eroi della bici de zan davide on amazon com free shipping on qualifying offers in  
fuga il mio romanzo con gli eroi della bici

*in fuga il mio romanzo con gli eroi della bici libreria ibs* - Jul 31 2023

descrizione queste sono le storie memorabili che ha visto e vissuto davide de zan gli atti di valore le follie e le imprese dei

moderni guerrieri a cavallo della bici ti confido un segreto

*in fuga il mio romanzo con gli eroi della bici libreria ibs* - Apr 27 2023

in fuga il mio romanzo con gli eroi della bici è un libro di davide de zan pubblicato da piemme nella collana pickwick acquista su ibs a 9 40

**in fuga il mio romanzo con gli eroi della bici paperback** - May 17 2022

in fuga il mio romanzo con gli eroi della bici de zan davide amazon de bücher zum hauptinhalt wechseln de hallo lieferadresse wählen alle wähle die kategorie aus in der du

in fuga il mio romanzo con gli eroi della bici ebook libraccio it - Aug 20 2022

find helpful customer reviews and review ratings for in fuga il mio romanzo con gli eroi della bici at amazon com read honest and unbiased product reviews from our users

*in fuga il mio romanzo con gli eroi della bici amazon de* - Apr 15 2022

in fuga il mio romanzo con gli eroi della bici de zan davide amazon es libros

in fuga il mio romanzo con gli eroi della bici de zan davide - Oct 22 2022

in fuga il mio romanzo con gli eroi della bici libro di davide de zan spedizione gratuita per ordini superiori a 25 euro acquistalo su libreriauniversitaria it pubblicato da piemme collana

in fuga il mio romanzo con gli eroi della bici tapa dura amazon es - Mar 15 2022

acquista in fuga il mio romanzo con gli eroi della bici su libreria universitaria spedizione gratuita sopra i 25 euro su libreria universitaria

**in fuga il mio romanzo con gli eroi della bici italian edition** - Jan 25 2023

in fuga il mio romanzo con gli eroi della bici è un libro di davide de zan pubblicato da piemme nella collana pickwick acquista su lafeltrinelli a 9 40

nsp nutrition by the iron guru vince gironda - May 16 2022

web founded in 1972 by vince gironda nsp nutrition is an all natural body building supplement company our focus has always been natural bodybuilding supplements books and courses from beef liver to milk and egg protein nsp nutrition has everything you need to improve your results naturally

*vince gironda the iron guru the bodybuilding archive* - Jan 12 2022

web feb 3 2021 vince gironda the iron guru february 3 2021 the bodybuilding world has seen many athletes come and go vince gironda was not one of these people vince was a decorated bodybuilder author trainer gym owner and founder of nsp nutrition that s how you earn the nickname the iron guru most bodybuilding legends started early

vincegironda com official home of vince gironda the iron guru - Nov 21 2022

web welcome to the official website for everything vince gironda the online home of the iron guru monthly deep dive articles resources diets and workout plans as pioneered by this fitness and bodybuilding icon

*the history of vince gironda low carb pioneer and barbend* - Feb 22 2023

web aug 16 2023 gironda shook up the fitness industry by ditching back squats bench presses and carbs written by conor heffernan last updated on august 16th 2023 entering a north hollywood gym a six foot

**vince gironda the mad guru old school labs** - Apr 26 2023

web mercurial and brilliant vince gironda devised some of the most enduring training and nutrition methods in bodybuilding history but his temper and hard headed approach made him an outcast decades after his death his legacy grows vince gironda s impact on bodybuilding they called him the iron guru

**iron guru the vince gironda story vince gironda** - Jan 24 2023

web vince gironda s wisdom and vast knowledge enabled him to train more bodybuilding champions and movie stars than anyone in the history of the sport in intimate conversation vince gironda looks back on his life to reveal the seminal moments that fuelled his relentless drive to become the most famous and volatile trainer in the history of the

**vincegironda com 5 famous vince gironda exercises** - Apr 14 2022

web jul 14 2020 here are the 5 most famous most unique most effective exercises that vince gironda was known for 1 the body drag curl take a shoulder width grip on a barbell and starting with the bar resting against the upper legs raise it from thighs to throat keeping the bar in contact with the body at all times keep your elbows back

**vince gironda bodybuilding muscle fitness trainer wild** - May 28 2023

web aug 14 2023 vince gironda known as the iron guru a trainer of champion bodybuilders and nutrition expert way ahead of his time build muscle fitness health and a wild physique ironguru com

vince gironda wikipedia - Mar 14 2022

web vince gironda 9 november 1917 in new york 18 oktober 1997 war ein us amerikanischer bodybuilder bodybuilding autor und eigentümer des bekannten vince s gym fitnessstudio s in north hollywood kalifornien er wurde auch der iron guru dt eisen guru genannt inhaltsverzeichnis 1 leben 2 trainingsphilosophie 3 schriften 4

**vincegironda com who is vince gironda** - Oct 21 2022

web jul 14 2020 vince was the father of low carb dieting saying that a diet rich in proteins and fats are the best way to reproduce natural testosterone and steroid like effects without using drugs he s also been known to consume three dozen fertile hen eggs a day including raw unpasteurized cream

vince gironda death iron guru - Jun 16 2022

web oct 8 2019 vince gironda death in anticipation of vince s 80th birthday john balik organised an event to honour him and

his life s work at the prestigious ritz carlton hotel in marina del rey but sadly on october 18th 1997 vince gironda the iron guru passed away from suspected choking and heart failure after his death the party was

**[vince gironda wikipedia](#)** - Jul 30 2023

web vincent anselmo gironda november 9 1917 october 18 1997 was an american professional bodybuilder personal trainer author co founder of the supplement company nsp nutrition and owner of the celebrity frequented vince s gym his

**[vincegironda com the complete guide to vince gironda s books](#)** - Mar 26 2023

web jan 11 2021 vince gironda s books are legendary for their no nonsense actionable advice the iron guru wasted no time dispensing pearls of wisdom often in the first sentence of his training and nutrition manuals

**[vince gironda vikpedi](#)** - Jun 28 2023

web vincent anselmo vince gironda amerikalı bir vücut geliştirmeci kişisel antrenör yazar ve zamanının popüler spor salonu olan vince s gym in kurucusudur alanındaki bilgi birikimi nedeniyle iron guru demir bilgisi olarak anılırdı hayatı

**[meet our founder vince gironda the iron guru nsp nutrition](#)** - Aug 19 2022

web vince gironda life came to an end vince gironda died on october 18 1997 from heart failure at the age of 79 it is claimed that he died of a broken heart do to family issues and the closing of the beloved vince s gym vince gironda s legacy lives on we are hardcore students of vince gironda

**[vince gironda s final interview iron guru](#)** - Sep 19 2022

web mar 11 2020 vince gironda not only helped me reach my early bodybuilding goals he also encouraged me to pursue the career that has become my life s work i know of many others he inspired in a similar manner this final interview with the legendary iron guru took place two weeks before his death

**[vincegironda com how vince gironda trained apollo creed](#)** - Jul 18 2022

web aug 4 2021 vincegironda com how vince gironda trained apollo creed written by dr juan carlos cassano aka the golden era bookworm the iron guru was so known because of his unbelievable and uncanny ability to transform actors into tip top shape ready for their roles in hollywood movies

**[vincegironda com home of the iron guru](#)** - Aug 31 2023

web sep 18 2023 welcome to the official website for everything vince gironda the online home of the iron guru monthly deep dive articles resources diets and workout plans as pioneered by this fitness and bodybuilding icon

**[vince gironda greatest physiques](#)** - Dec 23 2022

web vince gironda bodybuilder gym owner personal trainer born in the bronx new york vince gironda grew up with a fearless attitude and can do approach to life being inspired by his father as a stuntman to follow in his footsteps gironda sought after

a

**the gironda system bigger stronger leaner t nation** - Feb 10 2022

web jun 8 2006 check this out bringing an old legend to life vince gironda was the original iron guru while weider was touting himself as being the trainer of champions it was actually gironda who had one of the most successful followings of bodybuilding champs

**italian pm giorgia meloni splits from partner after his sexist** - Dec 04 2021

oct 20 2023 italy s far right prime minister giorgia meloni has split from her partner andrea giambruno a television journalist who has made several embarrassing sexist comments my relationship

**amazon com customer reviews fanfulla italian edition** - Jul 23 2023

find helpful customer reviews and review ratings for fanfulla italian edition at amazon com read honest and unbiased product reviews from our users

**fanfulla abebooks** - Oct 14 2022

softcover condition new 1872 edition reprinted from 1872 edition pages 11 language italian no changes have been made to the original text this is not a retyped or an ocr d reprint illustrations index if any are included in black and white the content of this print on demand book has not been changed

fanfulla italian edition kindle edition amazon com - Sep 25 2023

oct 30 2013 buy fanfulla italian edition read kindle store reviews amazon com amazon com fanfulla italian edition ebook pratt hugo milani mino kindle store skip

*fanfulla italian edition cornelisfr vanlanschot be* - Jan 17 2023

italian edition a literary masterpiece that delves deep to the significance of words and their effect on our lives compiled by a renowned author this captivating work takes readers on a transformative

italian government to change rules after doctors fined for covid - Jan 05 2022

mon 23 oct 2023 09 11 edt the italian health minister has promised to change draconian employment regulations affecting medical employees after three doctors received fines totalling 37 000

**fanfulla italian edition wrbb neu edu** - Feb 18 2023

2 fanfulla italian edition 2023 01 15 form this multi volume scholarly edition presents a comprehensive selection of her english french italian and german correspondenc e compiled from more than 30 archives worldwide that reflect her wide variety of interests and occupations as a woman of letters and contributor to scholarship and

**fanfulla italian edition by hugo pratt mino milani** - Jun 29 2021

sep 18 2023 may 3rd 2020 the 1983 84 serie c1 was the sixth edition of serie c1 the third highest league in the italian football league system overview serie c1 a it was contested by 18 it was decided that parma bologna was promoted to serie b

and prato fano fanfulla trento was demoted in serie c2 serie c1 b it was contested by 18 teams and in rome an  
*fanfulla tragicommedia in tre atti cinque quadri* - Aug 24 2023

premiered in trieste teatro verdi feb 11 1921 melodramma italiano 1901 1925 performers names not given

**fanfulla 1915 edition open library** - May 21 2023

fanfulla by attilio parelli 1915 g schirmer edition in italian it looks like you re offline donate an edition of fanfulla 1915

fanfulla opera eroi comica in tre atti e cinque quadri by attilio parelli 0 ratings 0 want to read 0 currently reading 0 have read

**fanfulla italian edition wp lacalera gob ar** - Jul 31 2021

fanfulla italian edition fanfulla italian edition 2 downloaded from wp lacalera gob ar on 2021 11 15 by guest their grassroots

identity comparing the migratory and missional flow of movements with similar european and us roots this book considers

the prospects for classical brazilian pentecostals with an eye on the problems of church growth and

*holocaust survivor visiting israel flees for safety as war breaks* - May 09 2022

oct 22 2023 hauptman is a holocaust survivor so this was the second time she d fled a group targeting jews she fled hamas

in israel in 2023 by plane as an old lady she fled the nazis in italy in 1944 on

**we should all get heartbreak leave but oh the irony that it s** - Feb 06 2022

21 hours ago italy s prime minister wasn t afraid to take a day off when her relationship ended and neither was i it should

be the norm one monday morning many years ago i was riding the bus to work

lettere critiche al fanfulla della domenica classic reprint italian - Aug 12 2022

oct 15 2017 buy lettere critiche al fanfulla della domenica classic reprint italian edition on amazon com free shipping on

qualified orders lettere critiche al fanfulla della domenica classic reprint italian edition mitraglia orlando 9780282814564

amazon com books

**fanfulla italian edition by hugo pratt mino milani** - Mar 19 2023

fanfulla italian edition by hugo pratt mino milani federico de roberto open library necci dal 1924 10 things to do in rome

breakfast breathing during sleep translation into italian hugo pratt fanfulla in al simpleton s pratt hugo ic 1477 least three

deaths to regret the fanfulla della domenica giovanni verga

fanfulla italian edition kindle edition amazon co uk - Apr 20 2023

fanfulla italian edition ebook pratt hugo milani mino amazon co uk kindle store

*a s d fanfulla* - Apr 08 2022

l asd fanfulla aderisce all iniziativa tutti in campo il progetto continua a leggere news per un pronto riscatto fine corsa in

coppa termina il cammino in coppa italia del guerriero al comunale 2 di casatenovo i bianconeri continua a

**fanfulla biblioteca del senato free texts archive org** - Jun 22 2023

fanfulla was an italian newspaper founded in 1870 first published in florence subsequently in rome between 1900 and 1901 the newspaper was released with a new title il nuovo fanfulla di roma the collection includes digitalizations of the issues 1870 1889 1894 1902

**calcio fanfulla risultati in diretta calendario risultati** - Nov 03 2021

segui il livescore fanfulla e altri risultati sportivi ora su diretta it calcio italia fanfulla risultati in tempo reale risultati finali calendario classifiche dettaglio delle partite con marcatori cartellini gialli e cartellini rossi comparazione quote e statistiche sugli scontri diretti

*fanfulla italian edition by hugo pratt mino milani test* - Dec 16 2022

this fanfulla italian edition by hugo pratt mino milani as one of the bulk functioning sellers here will entirely be accompanied by the best choices to review fanfulla italian edition by hugo pratt mino milani is at hand in our literature compilation an online access to it is set as public so you can get it instantly you have remained in

**fanfulla italian edition by hugo pratt mino milani** - Jun 10 2022

fanfulla italian edition by hugo pratt mino milani procession as a literary motif the intersection of thomas sanfilip italy whitman in criticism 201819 serie d football wiki fandom april 23rd 2020 coppa italia 1922 the first edition of the italian national cup is an anomalous edition pared with the successive ones crema speranza

**asd fanfulla wikipedia** - Sep 13 2022

fanfulla one of the oldest football and sports clubs in italy was founded on 18 october 1874 as a multisports club under the denomination società lodigiana di ginnastica e scherma lodi club of gymnastics and fencing and its football department was founded in 1908 fanfulla played 13 serie b leagues during the 1940s and the 1950s and now

**almanacco del fanfulla italian edition paperback amazon com** - Sep 01 2021

apr 1 2010 almanacco del fanfulla italian edition anonymous on amazon com free shipping on qualifying offers almanacco del fanfulla italian edition

giorgia meloni italian prime minister splits from partner after his - Mar 07 2022

oct 20 2023 giorgia meloni and andrea giambruno have a 7 year old daughter italy s family first prime minister giorgia meloni has broken up with her tv journalist boyfriend after lewd comments in

**barcelona opera production among first to use intimacy** - Nov 15 2022

1 day ago the operatic version due to open this week at the gran teatre del liceu is among the first in europe to have worked with an intimacy coordinator in an effort to ensure performers are comfortable

**lettere critiche al fanfulla della domenica classic reprint italian** - Jul 11 2022

jan 21 2023 find many great new used options and get the best deals for lettere critiche al fanfulla della domenica classic

reprint italian edition orl at the best online prices at ebay free shipping for many products

**fanfulla italian edition by hugo pratt mino milani** - Oct 02 2021

aug 11 2023 first edition of the top level italian non professional football championship it represents the fourth tier in the italian football league system a total of 168 teams divided on