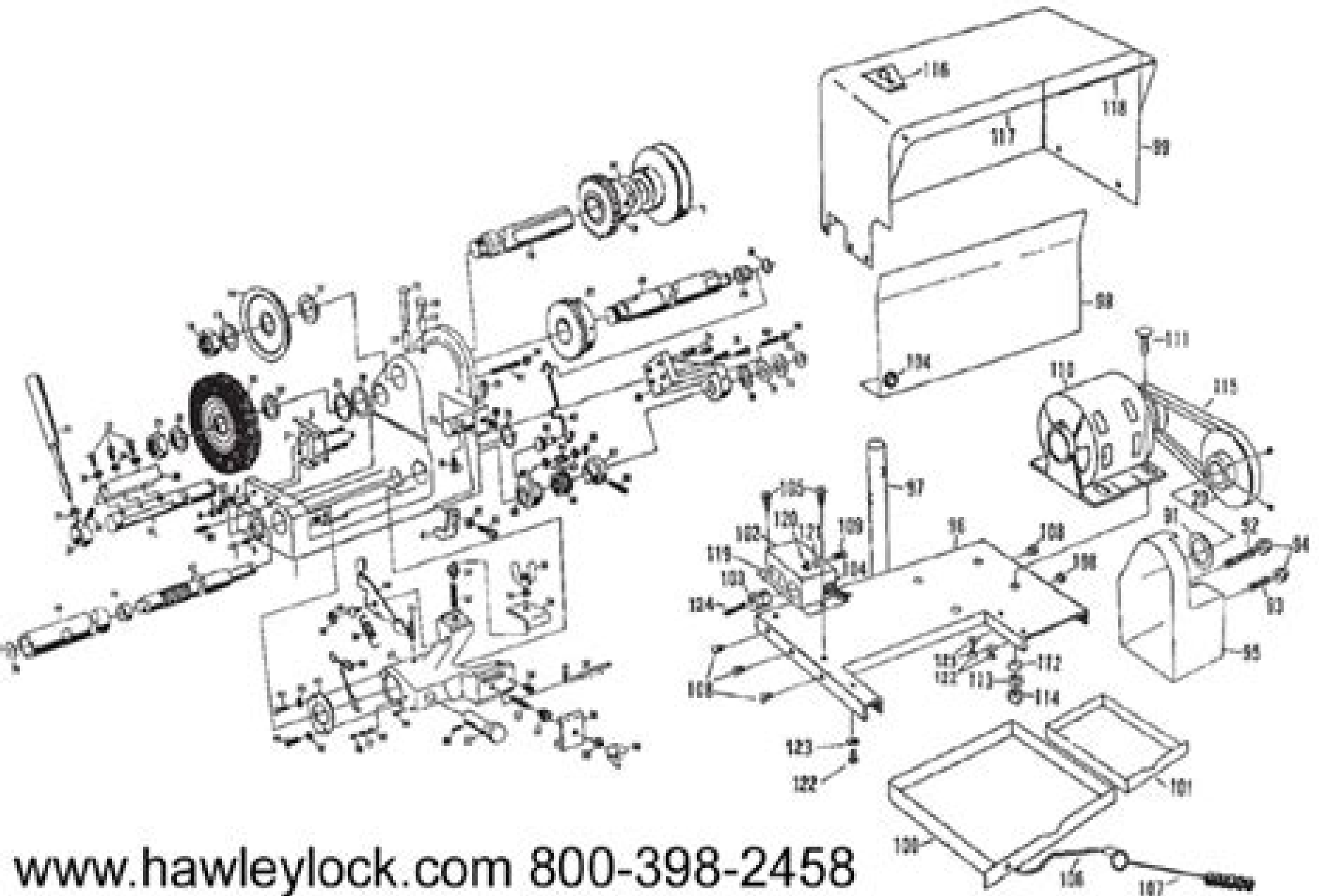


CURTIS KEY-MATIC 2000



www.hawleylock.com 800-398-2458

Curtis 3000 Key Machine Manual

R Bogdan



Curtis 3000 Key Machine Manual:

Official Manual of the State of Missouri ,1965 *Report* ,1972 **Moody's Manual of Railroads and Corporation Securities** ,1908 **BLS Report** ,1953 *Thomas Register of American Manufacturers and Thomas Register Catalog File* ,2002 Vols for 1970 71 includes manufacturers catalogs **Official Manual for Years ...** Missouri. Office of the Secretary of State,1959 **Official Manual, State of Missouri** Missouri. Office of the Secretary of State,1971 **Moody's Industrial Manual** ,1963 [Moody's Manual of Railroads and Corporation Securities](#) ,1908 **American Machinist** ,1888 **Scientific American** ,1885 Monthly magazine devoted to topics of general scientific interest *Popular Mechanics* ,1984-02 Popular Mechanics inspires instructs and influences readers to help them master the modern world Whether it s practical DIY home improvement tips gadgets and digital technology information on the newest cars or the latest breakthroughs in science PM is the ultimate guide to our high tech lifestyle [English Mechanics and the World of Science](#) ,1913 *Harpers Weekly* John Bonner,George William Curtis,Henry Mills Alden,Samuel Stillman Conant,Montgomery Schuyler,John Foord,Richard Harding Davis,Carl Schurz,Henry Loomis Nelson,John Kendrick Bangs,George Brinton McClellan Harvey,Norman Hapgood,1871 *Industrial Equipment News* ,1968 **Prairie Farmer** ,1885 **Popular Mechanics** ,1986-09 Popular Mechanics inspires instructs and influences readers to help them master the modern world Whether it s practical DIY home improvement tips gadgets and digital technology information on the newest cars or the latest breakthroughs in science PM is the ultimate guide to our high tech lifestyle [Popular Mechanics](#) ,1934-03 Popular Mechanics inspires instructs and influences readers to help them master the modern world Whether it s practical DIY home improvement tips gadgets and digital technology information on the newest cars or the latest breakthroughs in science PM is the ultimate guide to our high tech lifestyle **Outlook** Alfred Emanuel Smith,Francis Walton,1873 *Information Industry Market Place* ,1982

This is likewise one of the factors by obtaining the soft documents of this **Curtis 3000 Key Machine Manual** by online. You might not require more get older to spend to go to the books instigation as skillfully as search for them. In some cases, you likewise complete not discover the pronouncement Curtis 3000 Key Machine Manual that you are looking for. It will no question squander the time.

However below, later you visit this web page, it will be as a result totally easy to get as well as download lead Curtis 3000 Key Machine Manual

It will not say you will many mature as we run by before. You can attain it while play a part something else at home and even in your workplace. fittingly easy! So, are you question? Just exercise just what we allow under as capably as evaluation **Curtis 3000 Key Machine Manual** what you later to read!

https://yousky7.com/files/publication/Download_PDFS/Discourses%20On%20The%20First%20Decade%20Of%20Titus%20Livi%20us.pdf

Table of Contents Curtis 3000 Key Machine Manual

1. Understanding the eBook Curtis 3000 Key Machine Manual
 - The Rise of Digital Reading Curtis 3000 Key Machine Manual
 - Advantages of eBooks Over Traditional Books
2. Identifying Curtis 3000 Key Machine Manual
 - Exploring Different Genres
 - Considering Fiction vs. Non-Fiction
 - Determining Your Reading Goals
3. Choosing the Right eBook Platform
 - Popular eBook Platforms
 - Features to Look for in an Curtis 3000 Key Machine Manual
 - User-Friendly Interface

4. Exploring eBook Recommendations from Curtis 3000 Key Machine Manual
 - Personalized Recommendations
 - Curtis 3000 Key Machine Manual User Reviews and Ratings
 - Curtis 3000 Key Machine Manual and Bestseller Lists
5. Accessing Curtis 3000 Key Machine Manual Free and Paid eBooks
 - Curtis 3000 Key Machine Manual Public Domain eBooks
 - Curtis 3000 Key Machine Manual eBook Subscription Services
 - Curtis 3000 Key Machine Manual Budget-Friendly Options
6. Navigating Curtis 3000 Key Machine Manual eBook Formats
 - ePub, PDF, MOBI, and More
 - Curtis 3000 Key Machine Manual Compatibility with Devices
 - Curtis 3000 Key Machine Manual Enhanced eBook Features
7. Enhancing Your Reading Experience
 - Adjustable Fonts and Text Sizes of Curtis 3000 Key Machine Manual
 - Highlighting and Note-Taking Curtis 3000 Key Machine Manual
 - Interactive Elements Curtis 3000 Key Machine Manual
8. Staying Engaged with Curtis 3000 Key Machine Manual
 - Joining Online Reading Communities
 - Participating in Virtual Book Clubs
 - Following Authors and Publishers Curtis 3000 Key Machine Manual
9. Balancing eBooks and Physical Books Curtis 3000 Key Machine Manual
 - Benefits of a Digital Library
 - Creating a Diverse Reading Collection Curtis 3000 Key Machine Manual
10. Overcoming Reading Challenges
 - Dealing with Digital Eye Strain
 - Minimizing Distractions
 - Managing Screen Time
11. Cultivating a Reading Routine Curtis 3000 Key Machine Manual
 - Setting Reading Goals Curtis 3000 Key Machine Manual
 - Carving Out Dedicated Reading Time

12. Sourcing Reliable Information of Curtis 3000 Key Machine Manual
 - Fact-Checking eBook Content of Curtis 3000 Key Machine Manual
 - Distinguishing Credible Sources
13. Promoting Lifelong Learning
 - Utilizing eBooks for Skill Development
 - Exploring Educational eBooks
14. Embracing eBook Trends
 - Integration of Multimedia Elements
 - Interactive and Gamified eBooks

Curtis 3000 Key Machine Manual Introduction

Free PDF Books and Manuals for Download: Unlocking Knowledge at Your Fingertips In todays fast-paced digital age, obtaining valuable knowledge has become easier than ever. Thanks to the internet, a vast array of books and manuals are now available for free download in PDF format. Whether you are a student, professional, or simply an avid reader, this treasure trove of downloadable resources offers a wealth of information, conveniently accessible anytime, anywhere. The advent of online libraries and platforms dedicated to sharing knowledge has revolutionized the way we consume information. No longer confined to physical libraries or bookstores, readers can now access an extensive collection of digital books and manuals with just a few clicks. These resources, available in PDF, Microsoft Word, and PowerPoint formats, cater to a wide range of interests, including literature, technology, science, history, and much more. One notable platform where you can explore and download free Curtis 3000 Key Machine Manual PDF books and manuals is the internets largest free library. Hosted online, this catalog compiles a vast assortment of documents, making it a veritable goldmine of knowledge. With its easy-to-use website interface and customizable PDF generator, this platform offers a user-friendly experience, allowing individuals to effortlessly navigate and access the information they seek. The availability of free PDF books and manuals on this platform demonstrates its commitment to democratizing education and empowering individuals with the tools needed to succeed in their chosen fields. It allows anyone, regardless of their background or financial limitations, to expand their horizons and gain insights from experts in various disciplines. One of the most significant advantages of downloading PDF books and manuals lies in their portability. Unlike physical copies, digital books can be stored and carried on a single device, such as a tablet or smartphone, saving valuable space and weight. This convenience makes it possible for readers to have their entire library at their fingertips, whether they are commuting, traveling, or simply enjoying a lazy afternoon at home. Additionally, digital files are easily searchable, enabling readers to locate specific information within seconds. With a few

keystrokes, users can search for keywords, topics, or phrases, making research and finding relevant information a breeze. This efficiency saves time and effort, streamlining the learning process and allowing individuals to focus on extracting the information they need. Furthermore, the availability of free PDF books and manuals fosters a culture of continuous learning. By removing financial barriers, more people can access educational resources and pursue lifelong learning, contributing to personal growth and professional development. This democratization of knowledge promotes intellectual curiosity and empowers individuals to become lifelong learners, promoting progress and innovation in various fields. It is worth noting that while accessing free Curtis 3000 Key Machine Manual PDF books and manuals is convenient and cost-effective, it is vital to respect copyright laws and intellectual property rights. Platforms offering free downloads often operate within legal boundaries, ensuring that the materials they provide are either in the public domain or authorized for distribution. By adhering to copyright laws, users can enjoy the benefits of free access to knowledge while supporting the authors and publishers who make these resources available. In conclusion, the availability of Curtis 3000 Key Machine Manual free PDF books and manuals for download has revolutionized the way we access and consume knowledge. With just a few clicks, individuals can explore a vast collection of resources across different disciplines, all free of charge. This accessibility empowers individuals to become lifelong learners, contributing to personal growth, professional development, and the advancement of society as a whole. So why not unlock a world of knowledge today? Start exploring the vast sea of free PDF books and manuals waiting to be discovered right at your fingertips.

FAQs About Curtis 3000 Key Machine Manual Books

How do I know which eBook platform is the best for me? Finding the best eBook platform depends on your reading preferences and device compatibility. Research different platforms, read user reviews, and explore their features before making a choice. Are free eBooks of good quality? Yes, many reputable platforms offer high-quality free eBooks, including classics and public domain works. However, make sure to verify the source to ensure the eBook credibility. Can I read eBooks without an eReader? Absolutely! Most eBook platforms offer web-based readers or mobile apps that allow you to read eBooks on your computer, tablet, or smartphone. How do I avoid digital eye strain while reading eBooks? To prevent digital eye strain, take regular breaks, adjust the font size and background color, and ensure proper lighting while reading eBooks. What the advantage of interactive eBooks? Interactive eBooks incorporate multimedia elements, quizzes, and activities, enhancing the reader engagement and providing a more immersive learning experience. Curtis 3000 Key Machine Manual is one of the best book in our library for free trial. We provide copy of Curtis 3000 Key Machine Manual in digital format, so the resources that you find are reliable. There are also many Ebooks of related with Curtis 3000 Key Machine Manual. Where to

download Curtis 3000 Key Machine Manual online for free? Are you looking for Curtis 3000 Key Machine Manual PDF? This is definitely going to save you time and cash in something you should think about.

Find Curtis 3000 Key Machine Manual :

discourses on the first decade of titus livius

[discus throw precale](#)

discipleship by design

[directv hr24 100 manual](#)

[discrete mathematical structures 6th edition](#)

[discrete and combinatorial mathematics 5th edition solutions](#)

distributed autonomous robotic systems 8

[direct tv remote codes panasonic](#)

[disparitions inqueiacutetantes laffaire anaiumls](#)

[discovery of dna structure concept mapping skills worksheet answers](#)

[dish network dvr 622 manual](#)

discovering food and nutrition student workbook answers

[dispatcher 911 test practice](#)

dirt the movie answer key

[disney store training manual](#)

Curtis 3000 Key Machine Manual :

amazon es the nightingale - Jun 13 2023

web the nightingale director s score an enchanting imperial tale for unison and 2 part voices based on a story by hans

christian andersen edición en inglés de andy beck brian fisher et ál 5 0 de 5 estrellas 1

the nightingale a novel english edition versión kindle - Jan 08 2023

web the nightingale a novel english edition ebook hannah kristin amazon es tienda kindle

nightingale english edition versión kindle amazon es - Dec 07 2022

web nightingale english edition ebook mickelsen melissa amazon es tienda kindle saltar al contenido principal es hola elige tu dirección tienda kindle es hola identifícate cuenta y listas devoluciones y pedidos cesta todo servicio al cliente con

the nightingale english madrigal excellence in literature by - Apr 30 2022

web jan 28 2014 the nightingale english madrigal by eileitor published january 28 2014 updated february 25 2021 the madrigal a polyphonic musical composition usually sung a capella was a type of secular renaissance music that would have been familiar to writers such as edmund spenser

the nightingale a novel english edition edición kindle - Feb 09 2023

web the nightingale tells the stories of two sisters separated by years and experience by ideals passion and circumstance each embarking on her own dangerous path toward survival love and freedom in german occupied war torn france a heartbreakingly beautiful novel that celebrates the resilience of the human spirit and the durability of

this is earl nightingale by earl nightingale open library - Feb 26 2022

web oct 4 2020 this is earl nightingale by earl nightingale 1969 published in co operation with j g ferguson pub co by doubleday edition in english

nightingale english meaning cambridge dictionary - Nov 06 2022

web nightingale english meaning cambridge dictionary meaning of nightingale in english nightingale noun c uk 'naɪ tɪŋ geɪl us 'naɪ t ɪ ŋ geɪl add to word list a

books by earl nightingale author of the strangest secret goodreads - Jan 28 2022

web earl nightingale has 188 books on goodreads with 23175 ratings earl nightingale s most popular book is the strangest secret

the nightingale sisters nightingales 2 english edition ebook - Mar 30 2022

web the nightingale sisters nightingales 2 english edition kindle ausgabe englisch ausgabe von donna douglas autor format kindle ausgabe 4 5 4 336 sternebewertungen buch 2 von 11 nightingales alle formate und editionen anzeigen kindle 6 24 lies mit kostenfreier app hörbuch 0 00 gratis im audible probemonat

the owl and the nightingale princeton university press - Mar 10 2023

web may 24 2022 the owl and the nightingale one of the earliest literary works in middle english is a lively anonymous comic poem about two birds who embark on a war of words in a wood with a nearby poet reporting their argument in rhyming couplets line

livros earl nightingale na amazon com br - Dec 27 2021

web mar 23 2022 the direct line action guide an official nightingale conant publication earl nightingale series english edition edição inglês por earl nightingale 18 dez 2018

nightingale english edition versión kindle amazon es - Aug 03 2022

web lee ahora en digital con la aplicación gratuita kindle

editions of the nightingale by kristin hannah goodreads - Aug 15 2023

web oct 8 2015 the nightingale kindle edition published february 2020 by st martin s press kindle edition 593 pages more details want to read rate this book 1 of 5 stars 2 of 5 stars 3 of 5 stars 4 of 5 stars 5 of 5 stars

the nightingale the number one international bestseller english edition - Jul 14 2023

web jan 29 2015 the nightingale the number one international bestseller english edition kindle edition by hannah kristin download it once and read it on your kindle device pc phones or tablets use features like bookmarks note taking and highlighting while reading the nightingale the number one international bestseller english edition

nightingale english edition ebook kindle amazon com br - Jun 01 2022

web compre nightingale english edition de voinov aleksandr na amazon com br confira também os ebooks mais vendidos lançamentos e livros digitais exclusivos

nightingale nightingale series book 1 english edition ebook - Sep 04 2022

web nightingale nightingale series book 1 english edition ebook smith niki benton amazon es tienda kindle

nightingale on steam - Apr 11 2023

web nightingale set out on a journey of survival and adventure into the mysterious and dangerous fae realms of nightingale become an intrepid realmwalker and venture forth alone or with friends as you explore craft build and fight across a visually stunning gaslamp fantasy world all reviews no user reviews release date feb 22 2024

nightingale english edition forms iibr edu in - May 12 2023

web middle english poem the owl and the nightingale together with a modern english translation the nightingale english danish edition illustrated hans christian andersen 2017 06 22 the nightingale is a literary fairy tale by hans christian andersen about an emperor who prefers the tinkling

a nightingale christmas promise nightingales 10 english edition - Jul 02 2022

web a nightingale christmas promise nightingales 10 english edition ebook douglas donna amazon es tienda kindle

amazon com tr earl nightingale kitap - Oct 05 2022

web ciltsiz 39320tl 297 01 tl kargo bedeli tajemství úspěchu 2011 Çekçe baskı earl nightingale 1 nisan 2011 kağıt kapak Şu anda mevcut değil strangest secret the

guide to sancerre loire valley the good life france - Dec 06 2022

web janine marsh centre val de loire sancerre is a beautiful ancient hilltop village wine town it s located in the heart of france in the department of cher in an area known as

loire telaffuzu loire fransızca flemenkçe İngilizce dilinde nasıl - Feb 25 2022

web telaffuz rehberi yerlisi loire ifadesini fransızca flemenkçe İngilizce dilinde nasıl okur öğrenin loire çeviri ve sesli okunuşu

loire saumure chinon sancerre by francis morel - Aug 14 2023

web loire saumure chinon sancerre by francis morel chartres and châteaudun as well as count of tours theobald i was the son of theobald le vieux of blois who from 908 on

loire saumure chinon sancerre analytics budgetbakers com - Apr 29 2022

web loire saumure chinon sancerre the rough guide to the loire the loire directory department store wine shops wine stores in major u s cities lonely planet france

loire saumure chinon sancerre by francis morel - May 31 2022

web this loire saumure chinon sancerre by francis morel as one of the majority operating sellers here will wholly be associated with by the best selections to review along with

loire saumure chinon sancerre by francis morel - Sep 03 2022

web loire saumure chinon sancerre 96 pages 04 02 2009 publication date le figaro editions publisher 14 68 eur acheter sur meilleure vente n 4 chinon 2018 vin rouge bio par

loire saumure chinon sancerre 9782810500598 abebooks - May 11 2023

web abebooks com loire saumure chinon sancerre 9782810500598 and a great selection of similar new used and collectible books available now at great prices

loire saumure chinon sancerre uniport edu ng - Aug 02 2022

web jul 23 2023 currently this loire saumure chinon sancerre as one of the most functioning sellers here will entirely be in the course of the best options to review castles

loire saumure chinon sancerre staging thehome org - Jul 01 2022

web loire saumure chinon sancerre 3 3 lonely planet chateaux of the loire valley road trips is perfect for exploring loire valley and burgundy via the road and discovering

loire saumure chinon sancerre abebooks - Feb 08 2023

web loire saumure chinon sancerre and a great selection of related books art and collectibles available now at abebooks com

loire saumure chinon sancerre by francis morel goodreads - Jun 12 2023

web jan 1 2009 96 pages paperback published january 1 2009 book details editions

vins de france et du monde series by francis morel goodreads - Mar 09 2023

web loire saumure chinon sancerre vins de france et du monde bordeaux saint emilion pomerol fronsac vins de france et du monde savoie et jura

loire saumure chinon sancerre by francis morel - Oct 24 2021

web may 1st 2020 loire saumure chinon sancerre 2 avril orientation sutd edu sg 6 26 loire saumure chinon sancerre by

francis morel 2009 de francis morel et collectif

saône et loire vikipedi - Sep 22 2021

web saône et loire sone'lwa:R fransa nın illerinden birisidir İl autun chalon sur saône charolles ve louhans olmak üzere 4 yerleşime

loire saumure chinon sancerre by francis morel - Nov 24 2021

web may 2nd 2020 chinon saumure champigny bourgueil les vins du val de loire se répartissent sur un vignoble prenant 14 départements qui doit son développement aux

somloire wikipedia - Jan 27 2022

web 49336 49360 elevation 107 184 m 351 604 ft 1 french land register data which excludes lakes ponds glaciers 1 km 2 0 386 sq mi or 247 acres and river estuaries

loire saumure chinon sancerre app oaklandlibrary org - Jan 07 2023

web 4 loire saumure chinon sancerre 2020 07 15 amboise saumur angers and le mans penguin for millions of people to enjoy wine is to enjoy life yet to get the most of out of

loire saumur chinon sancerre paperback amazon in - Nov 05 2022

web amazon in buy loire saumur chinon sancerre book online at best prices in india on amazon in read loire saumur chinon sancerre book reviews author details and

loire saumure chinon sancerre ftp bonide com - Apr 10 2023

web 2 loire saumure chinon sancerre 2021 07 29 detailed itineraries and don t miss destination highlights at a glance illustrated cutaway 3 d drawings of important sights

loire saumure chinon sancerre by francis morel - Mar 29 2022

web loire saumure chinon sancerre by francis morel couly dutheil winery chinon fr wines reviews and may 4th 2020 the famous vineyard of chinon established in 1921

somloire wikipedia - Dec 26 2021

web utc 1 codice insee 49336 cartografia somloire modifica dati su wikidata manuale somloire è un comune francese di 938 abitanti situato nel dipartimento del maine e loira

loire valley vintage charts wine spectator - Jul 13 2023

web 40 rows find ratings for recent vintages in france s loire region summing up the

loire saumure chinon sancerre kelliemay com - Oct 04 2022

web nov 29 2022 with guides you could enjoy now is loire saumure chinon sancerre below the loire rough guides snapshot france includes orléans the châteaux tours

investigating the kinetics of intramolecular h rsc publishing - Jan 01 2023

web nov 8 2023 this research aims to explore the kinetics of the reaction class of h migration reactions of methyl ester peroxy radicals the reaction class is divided into 20 subclasses based on the newly formed cycle size of the transition state the positions of the peroxy radical and the transferred h atom and the types of carbons from which the h atom

confirmation of the deodorizing effect of nanoe x hydroxyl radicals - Jun 25 2022

web nov 8 2023 the air blower was used to fill the test space with nanoe x with 48 trillion hydroxyl radicals generated by the nanoe x generator for exposing the cloth to the radicals for a specified period of time after the exposure a sensory evaluation 6 level odour intensity measurement method figure 1 was performed to compare the odours

radical reactions properties uses britannica - Sep 09 2023

web sep 25 2023 radical in chemistry molecule that contains at least one unpaired electron most molecules contain even numbers of electrons and the covalent chemical bonds holding the atoms together within a molecule normally consist of pairs of electrons jointly shared by the atoms linked by the bond

radicals introduction simplification purplemath - Sep 28 2022

web mathhelp com square roots and cube roots we can raise numbers to powers other than just 2 we can cube things being raising things to the third power or to the power 3 raise them to the fourth power or to the power 4 raise them to the 100 th power and so forth

radicals microsoft math solver - Apr 23 2022

web 3 3a4 256a8 196 40 2516 256a8 learn about radicals using our free math solver with step by step solutions

generation of aromatic n heterocyclic radicals for - Feb 02 2023

web nov 9 2023 nitrogen centered radicals ncrs have been widely recognized as versatile synthetic intermediates for the construction of nitrogen containing molecules of high value as such there has been a long standing interest in the field of organic synthesis to develop novel nitrogen based radicals and explore their inherent reactivity in this study

radical explanation properties types uses chart and faqs - May 25 2022

web nov 7 2023 all radicals in chemistry are also referred to as free radicals because the radical in chemistry is an atom that consists of at least one unpaired valence electron with them these unpaired electrons make the radicals highly

radical math net - Apr 04 2023

web radical a radical expression also referred to as an n th root or simply radical is an expression that involves a root radicals are expressed using a radicand similar to a dividend a radical symbol and an index which is typically denoted as n the most common radicals we see are the square root and the cubed root

what are radicals in math sciencing - Mar 23 2022

web dec 22 2020 a radical or root is the mathematical opposite of an exponent in the same sense that addition is the opposite of subtraction the smallest radical is the square root represented with the symbol the next radical is the cube root represented by the symbol $\sqrt[3]{}$

[radical equations functions math khan academy](#) - Jun 06 2023

web radical equations functions algebra all content math khan academy algebra all content 20 units 412 skills unit 1 introduction to algebra unit 2 solving basic equations inequalities one variable linear unit 3 linear equations functions graphs unit 4 sequences unit 5 system of equations unit 6 two variable inequalities

exponents radicals algebra 1 math khan academy - Nov 30 2022

web unit 10 absolute value piecewise functions unit 11 exponents radicals unit 12 exponential growth decay unit 13 quadratics multiplying factoring unit 14 quadratic functions equations unit 15 irrational numbers unit 16 creativity in algebra course challenge test your knowledge of the skills in this course

[radicals calculator symbolab](#) - Jul 27 2022

web free radicals calculator simplify radical expressions using algebraic rules step by step

[algebra radicals pauls online math notes](#) - Aug 08 2023

web nov 16 2022 in this section we will define radical notation and relate radicals to rational exponents we will also give the properties of radicals and some of the common mistakes students often make with radicals we will also define simplified radical form and show how to rationalize the denominator

16 2 2 adding and subtracting radicals mathematics libretxts - Aug 28 2022

web combining radicals is possible when the index and the radicand of two or more radicals are the same radicals with the same index and radicand are known as like radicals it is often helpful to treat radicals just as you would treat variables like radicals can be added and subtracted in the same way that like variables can be added and subtracted

5 8 reactive intermediates radicals chemistry libretxts - Mar 03 2023

web radicals in chemistry a radical more precisely a free radical is an atom molecule or ion that has unpaired valence electrons or an open electron shell and therefore may be seen as having one or more dangling covalent bonds with some exceptions these dangling bonds make free radicals highly chemically reactive towards other substances or even

[how to simplify radicals youtube](#) - Feb 19 2022

web sep 8 2017 share 590k views 6 years ago this algebra 2 review tutorial explains how to simplify radicals it covers plenty of examples and practice problems simplifying square roots with fractions adding

[radical definition illustrated mathematics dictionary math is fun](#) - May 05 2023

web illustrated definition of radical a square root cube root etc the symbol is radic

free radicals chemistry libretexts - Jul 07 2023

web jan 23 2023 formation the formation of radicals may involve breaking of covalent bonds homolytically a process that requires significant amounts of energy for example splitting H_2 into 2H has a Δh of 435 kJ mol and Cl_2 into 2Cl has a Δh of 243 kJ mol this is known as the homolytic bond dissociation energy and is usually abbreviated as the

5 4 multiplying and dividing radical expressions - Oct 30 2022

web oct 6 2021 answer 5 3 2 notice that the terms involving the square root in the denominator are eliminated by multiplying by the conjugate we can use the property $a/b \cdot a/b = a^2/b^2$ to expedite the process of multiplying the expressions in the denominator example 5 4 16 rationalize the denominator 10 2 6

radical chemistry wikipedia - Oct 10 2023

web in chemistry a radical also known as a free radical is an atom molecule or ion that has at least one unpaired valence electron 1 2 with some exceptions these unpaired electrons make radicals highly chemically reactive many radicals spontaneously dimerize most organic radicals have short lifetimes