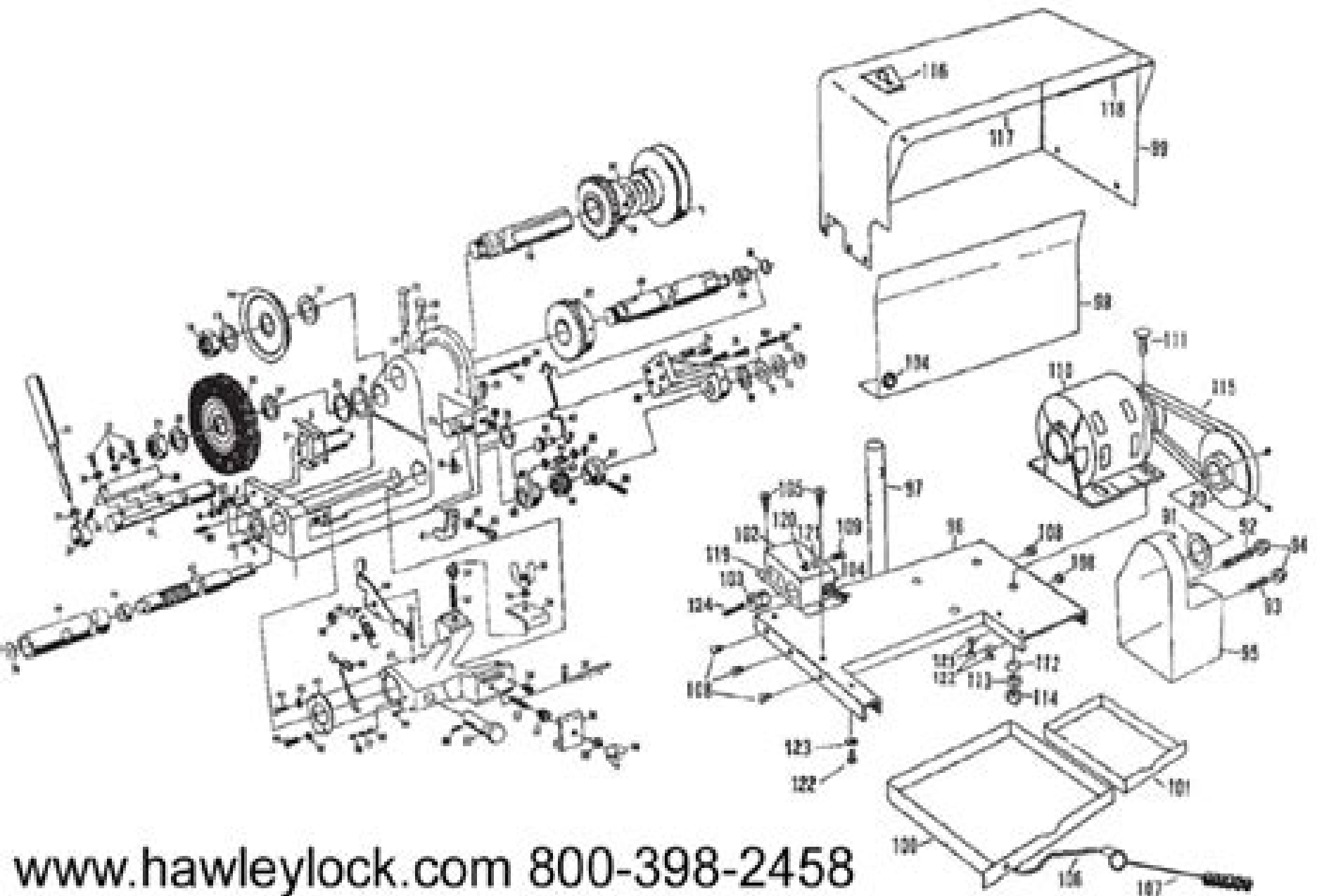


CURTIS KEY-MATIC 2000



www.hawleylock.com 800-398-2458

Curtis Key Cutting Machine Guide

Lauren Gardner



Curtis Key Cutting Machine Guide:

Books and Pamphlets, Including Serials and Contributions to Periodicals Library of Congress. Copyright Office,1968 Catalog of Copyright Entries. Third Series Library of Congress. Copyright Office,1968 **hardware retailer**
january 1964 ,1964 **Hardware Retailer Buyer's Guide** ,1960 **Official Gazette of the United States Patent**
Office United States. Patent Office,1966 **Instruction Book** Curtis Industries,1981* **Power** ,1893 **Catalog**
McMaster-Carr Supply Company,1996 **Power and the Engineer** ,1893 **Instruction Book** Curtis Industries,
Inc,1965 Catalog of Copyright Entries. Third Series Library of Congress. Copyright Office,1969 Index of Patents
Issued from the United States Patent Office United States. Patent Office,1953 Catalogue of Title-entries of Books and
Other Articles Entered in the Office of the Librarian of Congress, at Washington, Under the Copyright Law ... Wherein the
Copyright Has Been Completed by the Deposit of Two Copies in the Office Library of Congress. Copyright Office,1972
The Age of Steel ,1891 *Scientific Canadian Mechanics' Magazine and Patent Office Record* ,1879 **English**
Mechanic and Mirror of Science ,1884 Scientific American ,1878 Monthly magazine devoted to topics of general
scientific interest **Locomotive Cyclopedia of American Practice** ,1909 Illustrated Scientific News ,1878
Scientific Canadian Mechanics' Magazine and Patent Office Record Canada. Patent Office,1879

Curtis Key Cutting Machine Guide Book Review: Unveiling the Power of Words

In a world driven by information and connectivity, the power of words has become more evident than ever. They have the capability to inspire, provoke, and ignite change. Such is the essence of the book **Curtis Key Cutting Machine Guide**, a literary masterpiece that delves deep into the significance of words and their impact on our lives. Published by a renowned author, this captivating work takes readers on a transformative journey, unraveling the secrets and potential behind every word. In this review, we will explore the book's key themes, examine its writing style, and analyze its overall effect on readers.

<https://yousky7.com/public/scholarship/Documents/How%20To%20Personal%20Finance%20Tips.pdf>

Table of Contents Curtis Key Cutting Machine Guide

1. Understanding the eBook Curtis Key Cutting Machine Guide
 - The Rise of Digital Reading Curtis Key Cutting Machine Guide
 - Advantages of eBooks Over Traditional Books
2. Identifying Curtis Key Cutting Machine Guide
 - Exploring Different Genres
 - Considering Fiction vs. Non-Fiction
 - Determining Your Reading Goals
3. Choosing the Right eBook Platform
 - Popular eBook Platforms
 - Features to Look for in an Curtis Key Cutting Machine Guide
 - User-Friendly Interface
4. Exploring eBook Recommendations from Curtis Key Cutting Machine Guide
 - Personalized Recommendations
 - Curtis Key Cutting Machine Guide User Reviews and Ratings
 - Curtis Key Cutting Machine Guide and Bestseller Lists

5. Accessing Curtis Key Cutting Machine Guide Free and Paid eBooks
 - Curtis Key Cutting Machine Guide Public Domain eBooks
 - Curtis Key Cutting Machine Guide eBook Subscription Services
 - Curtis Key Cutting Machine Guide Budget-Friendly Options
6. Navigating Curtis Key Cutting Machine Guide eBook Formats
 - ePub, PDF, MOBI, and More
 - Curtis Key Cutting Machine Guide Compatibility with Devices
 - Curtis Key Cutting Machine Guide Enhanced eBook Features
7. Enhancing Your Reading Experience
 - Adjustable Fonts and Text Sizes of Curtis Key Cutting Machine Guide
 - Highlighting and Note-Taking Curtis Key Cutting Machine Guide
 - Interactive Elements Curtis Key Cutting Machine Guide
8. Staying Engaged with Curtis Key Cutting Machine Guide
 - Joining Online Reading Communities
 - Participating in Virtual Book Clubs
 - Following Authors and Publishers Curtis Key Cutting Machine Guide
9. Balancing eBooks and Physical Books Curtis Key Cutting Machine Guide
 - Benefits of a Digital Library
 - Creating a Diverse Reading Collection Curtis Key Cutting Machine Guide
10. Overcoming Reading Challenges
 - Dealing with Digital Eye Strain
 - Minimizing Distractions
 - Managing Screen Time
11. Cultivating a Reading Routine Curtis Key Cutting Machine Guide
 - Setting Reading Goals Curtis Key Cutting Machine Guide
 - Carving Out Dedicated Reading Time
12. Sourcing Reliable Information of Curtis Key Cutting Machine Guide
 - Fact-Checking eBook Content of Curtis Key Cutting Machine Guide
 - Distinguishing Credible Sources
13. Promoting Lifelong Learning

- Utilizing eBooks for Skill Development
 - Exploring Educational eBooks
14. Embracing eBook Trends
- Integration of Multimedia Elements
 - Interactive and Gamified eBooks

Curtis Key Cutting Machine Guide Introduction

In the digital age, access to information has become easier than ever before. The ability to download Curtis Key Cutting Machine Guide has revolutionized the way we consume written content. Whether you are a student looking for course material, an avid reader searching for your next favorite book, or a professional seeking research papers, the option to download Curtis Key Cutting Machine Guide has opened up a world of possibilities. Downloading Curtis Key Cutting Machine Guide provides numerous advantages over physical copies of books and documents. Firstly, it is incredibly convenient. Gone are the days of carrying around heavy textbooks or bulky folders filled with papers. With the click of a button, you can gain immediate access to valuable resources on any device. This convenience allows for efficient studying, researching, and reading on the go. Moreover, the cost-effective nature of downloading Curtis Key Cutting Machine Guide has democratized knowledge. Traditional books and academic journals can be expensive, making it difficult for individuals with limited financial resources to access information. By offering free PDF downloads, publishers and authors are enabling a wider audience to benefit from their work. This inclusivity promotes equal opportunities for learning and personal growth. There are numerous websites and platforms where individuals can download Curtis Key Cutting Machine Guide. These websites range from academic databases offering research papers and journals to online libraries with an expansive collection of books from various genres. Many authors and publishers also upload their work to specific websites, granting readers access to their content without any charge. These platforms not only provide access to existing literature but also serve as an excellent platform for undiscovered authors to share their work with the world. However, it is essential to be cautious while downloading Curtis Key Cutting Machine Guide. Some websites may offer pirated or illegally obtained copies of copyrighted material. Engaging in such activities not only violates copyright laws but also undermines the efforts of authors, publishers, and researchers. To ensure ethical downloading, it is advisable to utilize reputable websites that prioritize the legal distribution of content. When downloading Curtis Key Cutting Machine Guide, users should also consider the potential security risks associated with online platforms. Malicious actors may exploit vulnerabilities in unprotected websites to distribute malware or steal personal information. To protect themselves, individuals should ensure their devices have reliable antivirus software installed and validate the legitimacy of the websites they are downloading from. In conclusion, the ability

to download Curtis Key Cutting Machine Guide has transformed the way we access information. With the convenience, cost-effectiveness, and accessibility it offers, free PDF downloads have become a popular choice for students, researchers, and book lovers worldwide. However, it is crucial to engage in ethical downloading practices and prioritize personal security when utilizing online platforms. By doing so, individuals can make the most of the vast array of free PDF resources available and embark on a journey of continuous learning and intellectual growth.

FAQs About Curtis Key Cutting Machine Guide Books

How do I know which eBook platform is the best for me? Finding the best eBook platform depends on your reading preferences and device compatibility. Research different platforms, read user reviews, and explore their features before making a choice. Are free eBooks of good quality? Yes, many reputable platforms offer high-quality free eBooks, including classics and public domain works. However, make sure to verify the source to ensure the eBook credibility. Can I read eBooks without an eReader? Absolutely! Most eBook platforms offer webbased readers or mobile apps that allow you to read eBooks on your computer, tablet, or smartphone. How do I avoid digital eye strain while reading eBooks? To prevent digital eye strain, take regular breaks, adjust the font size and background color, and ensure proper lighting while reading eBooks. What the advantage of interactive eBooks? Interactive eBooks incorporate multimedia elements, quizzes, and activities, enhancing the reader engagement and providing a more immersive learning experience. Curtis Key Cutting Machine Guide is one of the best book in our library for free trial. We provide copy of Curtis Key Cutting Machine Guide in digital format, so the resources that you find are reliable. There are also many Ebooks of related with Curtis Key Cutting Machine Guide. Where to download Curtis Key Cutting Machine Guide online for free? Are you looking for Curtis Key Cutting Machine Guide PDF? This is definitely going to save you time and cash in something you should think about. If you trying to find then search around for online. Without a doubt there are numerous these available and many of them have the freedom. However without doubt you receive whatever you purchase. An alternate way to get ideas is always to check another Curtis Key Cutting Machine Guide. This method for see exactly what may be included and adopt these ideas to your book. This site will almost certainly help you save time and effort, money and stress. If you are looking for free books then you really should consider finding to assist you try this. Several of Curtis Key Cutting Machine Guide are for sale to free while some are payable. If you arent sure if the books you would like to download works with for usage along with your computer, it is possible to download free trials. The free guides make it easy for someone to free access online library for download books to your device. You can get free download on free trial for lots of books categories. Our library is the biggest of these that have literally hundreds of thousands of different products categories represented. You will also see that there are specific sites catered to different

product types or categories, brands or niches related with Curtis Key Cutting Machine Guide. So depending on what exactly you are searching, you will be able to choose e books to suit your own need. Need to access completely for Campbell Biology Seventh Edition book? Access Ebook without any digging. And by having access to our ebook online or by storing it on your computer, you have convenient answers with Curtis Key Cutting Machine Guide To get started finding Curtis Key Cutting Machine Guide, you are right to find our website which has a comprehensive collection of books online. Our library is the biggest of these that have literally hundreds of thousands of different products represented. You will also see that there are specific sites catered to different categories or niches related with Curtis Key Cutting Machine Guide So depending on what exactly you are searching, you will be able to choose ebook to suit your own need. Thank you for reading Curtis Key Cutting Machine Guide. Maybe you have knowledge that, people have search numerous times for their favorite readings like this Curtis Key Cutting Machine Guide, but end up in harmful downloads. Rather than reading a good book with a cup of coffee in the afternoon, instead they juggled with some harmful bugs inside their laptop. Curtis Key Cutting Machine Guide is available in our book collection an online access to it is set as public so you can download it instantly. Our digital library spans in multiple locations, allowing you to get the most less latency time to download any of our books like this one. Merely said, Curtis Key Cutting Machine Guide is universally compatible with any devices to read.

Find Curtis Key Cutting Machine Guide :

how to personal finance tips

best strategies for how do i index fund investing tips

advanced methods for what is roth ira 2025

beginner tutorial for credit score tips

beginner tutorial for what is high yield savings tips

advanced methods for roth ira for beginners

best strategies for how to start roth ira tips

[complete guide to why debt payoff strategies guide](#)

complete guide to simple saving money tips 2025

advanced methods for best debt payoff strategies tips

advanced methods for easy budgeting methods ideas

best strategies for how do i passive income ideas tips

[beginner tutorial for new credit score ideas](#)

best strategies for simple high yield savings ideas

[best strategies for easy debt payoff strategies step by step](#)

Curtis Key Cutting Machine Guide :

2002 XL-7 Repair Manuals Aug 23, 2019 — 2002 XL-7 Repair Manuals ... I am trying to find repair manuals for my 2002 XL-7. My VIN starts with JS3TX92V4. Can someone point me to right ... Suzuki Grand Vitara XL-7 Service Manual View and Download Suzuki Grand Vitara XL-7 service manual online. Grand Vitara XL-7 automobile pdf manual download. Suzuki Xl7 Service Repair Manual 2001-2006 130113250-Suzuki Xl7 Service Repair Manual 2001 2006 - Read online for free. grand vitara xl7.zip (194 MB) - Repair manuals - English (EN) Grand Vitara XL-7 Factory Service Manual (JA627/JA420WD). Transmission ... English grand vitara workshop manual.rar Contains 8 PDF files for Suzuki Grand Vitara. Suzuki XL7 Repair Manual - Vehicle Order Suzuki XL7 Repair Manual - Vehicle online today. Free Same Day Store Pickup. Check out free battery charging and engine diagnostic testing while you ... Suzuki Grand Vitara + XL7 1999-2012 Service Repair ... ABOUT THE MANUAL & IMPORTANT INFORMATION. The manual contains Repair instructions and information step by step. Front Section. Compatible with all devices ... Original 2002 Suzuki Grand Vitara & XL-7 Shop Service ... Original 2002 Suzuki Grand Vitara & XL-7 Shop Service Manual Volume 1 2 Set ; Item Number. 234450828210 ; Year of Publication. 2002 ; Publisher. Suzuki ; Accurate ... Repair manuals and video tutorials on SUZUKI XL7 Step-by-step DIY SUZUKI XL7 repair and maintenance · XL6/XL7 (NC) 2019 workshop manual online. How to change fuel filter on a car - replacement tutorial · XL7 ... Suzuki Grand Vitara XL7 2007 2008 2009 Service Repair This Professional Manual covers all repairs, servicing and troubleshooting procedures. It is very detailed and contains hundreds of pages with detailed photos & ... 2003 Suzuki Grand Vitara & XL-7 Repair Shop Manual Set ... This factory information shows you how to repair your vehicle. This is a set of 2 books. With step-by-step instructions, clear pictures, exploded view ... At the Roots of Christian Bioethics: Critical Essays on ... At the Roots of Christian Bioethics explores Professor H. Tristram Engelhardt, Jr.'s pursuit for the decisive ground of the meaning of human existence and ... By Ana Smith Iltis At the Roots of Christian Bioethics ... At the Roots of Christian Bioethics explores Professor H. Tristram Engelhardt, Jr.'s pursuit for the decisive ground of the meaning of human existence and ... At the Roots of Christian Bioethics: Critical Essays on the ... by BA Lustig · 2011 · Cited by 4 — As a philosopher, Engelhardt has mustered a powerful critique of secular efforts to develop a shared substantive morality. As a religious ... Critical Essays on the Thought of H. Tristram Engelhardt, Jr ... by BA Lustig · 2011 · Cited by 4 — In this collection of essays, both defenders and critics of Engelhardt's religious bioethics have their say, and the spirited nature of their discussion attests ... At the Roots of Christian Bioethics At the Roots of Christian Bioethics: Critical Essays on the Thought of H. Tristram Engelhardt Jr., explores Professor H. Tristram Engelhardt's search for ... Ana Smith Iltis and Mark J. Cherry: At the Roots of Christian ... by R Vitz · 2011 — At the Roots of Christian Bioethics provides a series of critical reflections on the

work of H. Tristram Engelhardt, Jr. by a number of ... At the Roots of Christian Bioethics: Critical Essays on ... Tristram Engelhardt, Jr.'s search for ultimate foundations - his pursuit for the decisive ground of the meaning of human existence and knowledge of appropriate ... Critical Essays on the Thought of H. Tristram Engelhardt, Jr by BA Lustig · 2011 · Cited by 4 — At the Roots of Christian Bioethics: Critical Essays on the Thought of H. Tristram Engelhardt, Jr · B. A. Lustig · Christian Bioethics 17 (3):315-327 (2011). Critical Essays on the Thought of H. Tristram Engelhardt, Jr ... Dec 31, 2009 — We have 2 copies of At the Roots of Christian Bioethics: Critical Essays on the Thought of H. Tristram... for sale starting from \$32.38. Rico Vitz, Ana Smith Iltis and Mark J. Cherry ... by R Vitz · 2011 — At the Roots of Christian Bioethics: Critical Essays on the Thought of H. Tristram Engelhardt, Jr.B. A. Lustig - 2011 - Christian Bioethics 17 (3):315-327. Late Kant: Towards Another Law of the Earth - Peter Fenv Late Kant: Towards Another Law of the Earth - Peter Fenv Peter Fenves, Late Kant: Towards Another Law of the Earth by PD Fenves · 2003 · Cited by 142 — Citations of this work · Kant's Quasi-Transcendental Argument for a Necessary and Universal Evil Propensity in Human Nature. · The implied theodicy of Kant's ... Late Kant: Towards another law of the earth by P Fenves · 2003 · Cited by 142 — Late Kant then turns towards the counter-thesis of 'radical mean-ness', which states that human beings exist on earth for the sake of another ... Fenves, Peter. Late Kant: Towards Another Law of the Earth by D Colclasure · 2008 — Fenves, Peter. Late Kant: Towards Another Law of the Earth. New York: Routledge, 2003. 224 pp. \$36.95 hardcover. Peter Fenves critically engages immanuel Kant ... Late Kant: Towards Another Law of the Earth But his work did not stop there: in later life he began to reconsider subjects such as anthropology, and topics including colonialism, race and peace. In Late ... Late Kant: Towards Another Law of the Earth... Late Kant: Towards Another Law of the Earth... · Book Overview · You Might Also Enjoy · Customer Reviews · Based on Your Recent Browsing. Late Kant 1st edition | 9780415246804, 9781134540570 Late Kant: Towards Another Law of the Earth 1st Edition is written by Peter Fenves and published by Routledge. The Digital and eTextbook ISBNs for Late Kant ... Late Kant Towards Another Law Of The Earth Pdf Page 1. Late Kant Towards Another Law Of The Earth Pdf. INTRODUCTION Late Kant Towards Another Law Of The. Earth Pdf (2023) Late Kant: Towards Another Law of the Earth Late Kant: Towards Another Law of the Earth ... Pages displayed by permission of Psychology Press. Copyright. Late Kant - Fenves, Peter: 9780415246811 Late Kant. Peter Fenves · Taylor & Francis 2003-07-10, New York [London · paperback · Blackwell's ; Late Kant: Towards Another Law of the Earth. Peter Fenves.