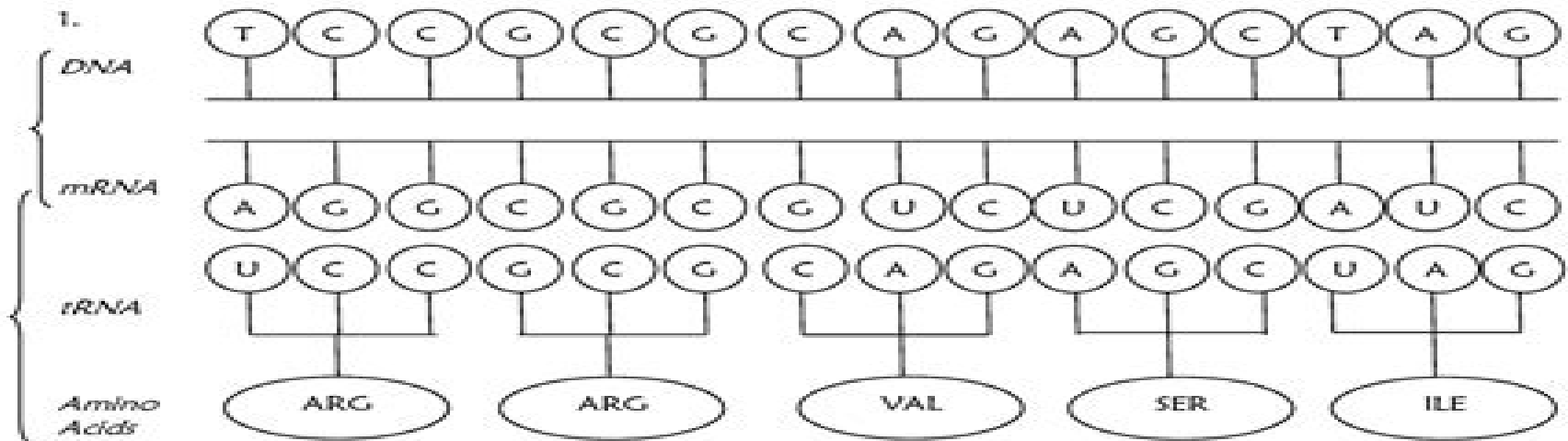


# Protein Synthesis Worksheet

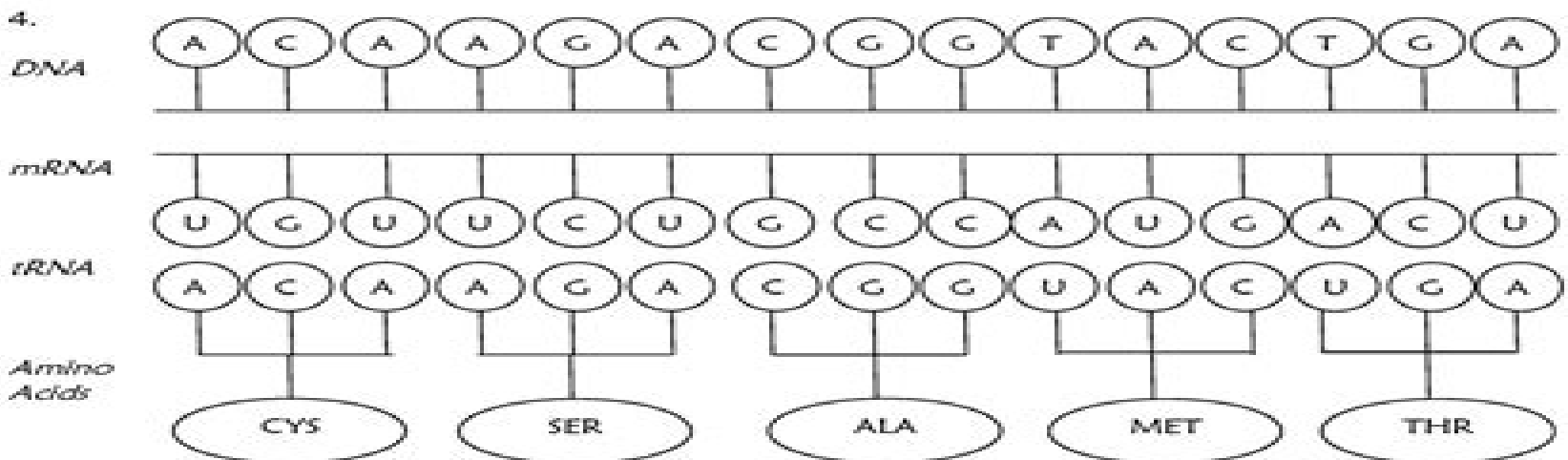
**Directions:**

1. Use the DNA code to create your mRNA code.
2. Use the mRNA code to create your tRNA code.
3. Use the mRNA code and the Genetic Code to determine your amino acids.
4. Answer any questions by **circling** the correct answer.



2. mRNA is made during (transcription/translation).

3. mRNA is made in the (cytoplasm/nucleus).



# Chapter 12 Protein Synthesis Worksheet Key

**Tobias Bleicker**



**Chapter 12 Protein Synthesis Worksheet Key:**

## Unveiling the Magic of Words: A Overview of "**Chapter 12 Protein Synthesis Worksheet Key**"

In a global defined by information and interconnectivity, the enchanting power of words has acquired unparalleled significance. Their power to kindle emotions, provoke contemplation, and ignite transformative change is really awe-inspiring. Enter the realm of "**Chapter 12 Protein Synthesis Worksheet Key**," a mesmerizing literary masterpiece penned by a distinguished author, guiding readers on a profound journey to unravel the secrets and potential hidden within every word. In this critique, we shall delve to the book is central themes, examine its distinctive writing style, and assess its profound effect on the souls of its readers.

[https://yousky7.com/book/detail/Documents/Canon\\_Pixma\\_Mp510\\_Service\\_Manual.pdf](https://yousky7.com/book/detail/Documents/Canon_Pixma_Mp510_Service_Manual.pdf)

### **Table of Contents Chapter 12 Protein Synthesis Worksheet Key**

1. Understanding the eBook Chapter 12 Protein Synthesis Worksheet Key
  - The Rise of Digital Reading Chapter 12 Protein Synthesis Worksheet Key
  - Advantages of eBooks Over Traditional Books
2. Identifying Chapter 12 Protein Synthesis Worksheet Key
  - Exploring Different Genres
  - Considering Fiction vs. Non-Fiction
  - Determining Your Reading Goals
3. Choosing the Right eBook Platform
  - Popular eBook Platforms
  - Features to Look for in an Chapter 12 Protein Synthesis Worksheet Key
  - User-Friendly Interface
4. Exploring eBook Recommendations from Chapter 12 Protein Synthesis Worksheet Key
  - Personalized Recommendations
  - Chapter 12 Protein Synthesis Worksheet Key User Reviews and Ratings
  - Chapter 12 Protein Synthesis Worksheet Key and Bestseller Lists

5. Accessing Chapter 12 Protein Synthesis Worksheet Key Free and Paid eBooks
  - Chapter 12 Protein Synthesis Worksheet Key Public Domain eBooks
  - Chapter 12 Protein Synthesis Worksheet Key eBook Subscription Services
  - Chapter 12 Protein Synthesis Worksheet Key Budget-Friendly Options
6. Navigating Chapter 12 Protein Synthesis Worksheet Key eBook Formats
  - ePub, PDF, MOBI, and More
  - Chapter 12 Protein Synthesis Worksheet Key Compatibility with Devices
  - Chapter 12 Protein Synthesis Worksheet Key Enhanced eBook Features
7. Enhancing Your Reading Experience
  - Adjustable Fonts and Text Sizes of Chapter 12 Protein Synthesis Worksheet Key
  - Highlighting and Note-Taking Chapter 12 Protein Synthesis Worksheet Key
  - Interactive Elements Chapter 12 Protein Synthesis Worksheet Key
8. Staying Engaged with Chapter 12 Protein Synthesis Worksheet Key
  - Joining Online Reading Communities
  - Participating in Virtual Book Clubs
  - Following Authors and Publishers Chapter 12 Protein Synthesis Worksheet Key
9. Balancing eBooks and Physical Books Chapter 12 Protein Synthesis Worksheet Key
  - Benefits of a Digital Library
  - Creating a Diverse Reading Collection Chapter 12 Protein Synthesis Worksheet Key
10. Overcoming Reading Challenges
  - Dealing with Digital Eye Strain
  - Minimizing Distractions
  - Managing Screen Time
11. Cultivating a Reading Routine Chapter 12 Protein Synthesis Worksheet Key
  - Setting Reading Goals Chapter 12 Protein Synthesis Worksheet Key
  - Carving Out Dedicated Reading Time
12. Sourcing Reliable Information of Chapter 12 Protein Synthesis Worksheet Key
  - Fact-Checking eBook Content of Chapter 12 Protein Synthesis Worksheet Key
  - Distinguishing Credible Sources
13. Promoting Lifelong Learning

- Utilizing eBooks for Skill Development
  - Exploring Educational eBooks
14. Embracing eBook Trends
- Integration of Multimedia Elements
  - Interactive and Gamified eBooks

### **Chapter 12 Protein Synthesis Worksheet Key Introduction**

In this digital age, the convenience of accessing information at our fingertips has become a necessity. Whether its research papers, eBooks, or user manuals, PDF files have become the preferred format for sharing and reading documents. However, the cost associated with purchasing PDF files can sometimes be a barrier for many individuals and organizations. Thankfully, there are numerous websites and platforms that allow users to download free PDF files legally. In this article, we will explore some of the best platforms to download free PDFs. One of the most popular platforms to download free PDF files is Project Gutenberg. This online library offers over 60,000 free eBooks that are in the public domain. From classic literature to historical documents, Project Gutenberg provides a wide range of PDF files that can be downloaded and enjoyed on various devices. The website is user-friendly and allows users to search for specific titles or browse through different categories. Another reliable platform for downloading Chapter 12 Protein Synthesis Worksheet Key free PDF files is Open Library. With its vast collection of over 1 million eBooks, Open Library has something for every reader. The website offers a seamless experience by providing options to borrow or download PDF files. Users simply need to create a free account to access this treasure trove of knowledge. Open Library also allows users to contribute by uploading and sharing their own PDF files, making it a collaborative platform for book enthusiasts. For those interested in academic resources, there are websites dedicated to providing free PDFs of research papers and scientific articles. One such website is Academia.edu, which allows researchers and scholars to share their work with a global audience. Users can download PDF files of research papers, theses, and dissertations covering a wide range of subjects. Academia.edu also provides a platform for discussions and networking within the academic community. When it comes to downloading Chapter 12 Protein Synthesis Worksheet Key free PDF files of magazines, brochures, and catalogs, Issuu is a popular choice. This digital publishing platform hosts a vast collection of publications from around the world. Users can search for specific titles or explore various categories and genres. Issuu offers a seamless reading experience with its user-friendly interface and allows users to download PDF files for offline reading. Apart from dedicated platforms, search engines also play a crucial role in finding free PDF files. Google, for instance, has an advanced search feature that allows users to filter results by file type. By specifying the file type as "PDF," users can find websites that offer free PDF downloads on a specific topic. While downloading Chapter 12 Protein Synthesis

Worksheet Key free PDF files is convenient, its important to note that copyright laws must be respected. Always ensure that the PDF files you download are legally available for free. Many authors and publishers voluntarily provide free PDF versions of their work, but its essential to be cautious and verify the authenticity of the source before downloading Chapter 12 Protein Synthesis Worksheet Key. In conclusion, the internet offers numerous platforms and websites that allow users to download free PDF files legally. Whether its classic literature, research papers, or magazines, there is something for everyone. The platforms mentioned in this article, such as Project Gutenberg, Open Library, Academia.edu, and Issuu, provide access to a vast collection of PDF files. However, users should always be cautious and verify the legality of the source before downloading Chapter 12 Protein Synthesis Worksheet Key any PDF files. With these platforms, the world of PDF downloads is just a click away.

### FAQs About Chapter 12 Protein Synthesis Worksheet Key Books

**What is a Chapter 12 Protein Synthesis Worksheet Key PDF?** A PDF (Portable Document Format) is a file format developed by Adobe that preserves the layout and formatting of a document, regardless of the software, hardware, or operating system used to view or print it. **How do I create a Chapter 12 Protein Synthesis Worksheet Key PDF?** There are several ways to create a PDF: Use software like Adobe Acrobat, Microsoft Word, or Google Docs, which often have built-in PDF creation tools. Print to PDF: Many applications and operating systems have a "Print to PDF" option that allows you to save a document as a PDF file instead of printing it on paper. Online converters: There are various online tools that can convert different file types to PDF. **How do I edit a Chapter 12 Protein Synthesis Worksheet Key PDF?** Editing a PDF can be done with software like Adobe Acrobat, which allows direct editing of text, images, and other elements within the PDF. Some free tools, like PDFescape or Smallpdf, also offer basic editing capabilities. **How do I convert a Chapter 12 Protein Synthesis Worksheet Key PDF to another file format?** There are multiple ways to convert a PDF to another format: Use online converters like Smallpdf, Zamzar, or Adobe Acrobats export feature to convert PDFs to formats like Word, Excel, JPEG, etc. Software like Adobe Acrobat, Microsoft Word, or other PDF editors may have options to export or save PDFs in different formats. **How do I password-protect a Chapter 12 Protein Synthesis Worksheet Key PDF?** Most PDF editing software allows you to add password protection. In Adobe Acrobat, for instance, you can go to "File" -> "Properties" -> "Security" to set a password to restrict access or editing capabilities. Are there any free alternatives to Adobe Acrobat for working with PDFs? Yes, there are many free alternatives for working with PDFs, such as: LibreOffice: Offers PDF editing features. PDFsam: Allows splitting, merging, and editing PDFs. Foxit Reader: Provides basic PDF viewing and editing capabilities. How do I compress a PDF file? You can use online tools like Smallpdf, ILovePDF, or desktop software like Adobe

Acrobat to compress PDF files without significant quality loss. Compression reduces the file size, making it easier to share and download. Can I fill out forms in a PDF file? Yes, most PDF viewers/editors like Adobe Acrobat, Preview (on Mac), or various online tools allow you to fill out forms in PDF files by selecting text fields and entering information. Are there any restrictions when working with PDFs? Some PDFs might have restrictions set by their creator, such as password protection, editing restrictions, or print restrictions. Breaking these restrictions might require specific software or tools, which may or may not be legal depending on the circumstances and local laws.

### Find Chapter 12 Protein Synthesis Worksheet Key :

[canon pixma mp510 service manual](#)

**canon mf4350d service manual**

[canon mark 3 repair guide](#)

[canon eos 300d digital rebel user guide](#)

[canon mp160 scanner manual](#)

[canon eos rebel k2 repair diagram](#)

**canon imagerunner 1023 service manual**

[canon image class 2220 owners manual](#)

**canon multipass mp730 manual**

[canon ir 3300 service manual](#)

[canon ir 3225 user manual](#)

**canon eos 7d user guide**

*canon imagerunner advance 8000 pro parts manual*

*canon pixma ip 4200 manual*

[canon ir3045 service manual](#)

### Chapter 12 Protein Synthesis Worksheet Key :

**government contract guidebook 4th 2013 2014 ed amazon com** - Jun 13 2023

web oct 4 2013 for over 30 years government contract guidebook has served as an essential reference to novices and seasoned professionals alike valued as an easy to use comprehensive resource this single volume explains the acquisition process from landing the contract to getting paid



**government contract guidebook 4th 4th edition amazon com** - Jan 28 2022

web jan 1 2007 government contract guidebook 4th 4th edition on amazon com free shipping on qualifying offers

government contract guidebook 4th 4th edition

**government contract guidebook 4th edition pdf uniport edu** - Aug 03 2022

web apr 28 2023 government contract guidebook 4th edition correspondingly simple government contracts nicholas seddon 2009 government contracts 4th edition is australia s definitive legal text on all levels of government contracting which focuses on the legal issues that may arise in connection with government contracts and which

**government contracts legal solutions thomson reuters** - May 12 2023

web government contract guidebook 4th 2022 2023 ed an expert discusses every step of the government contracting process in chronological order from getting the contract to getting paid cost accounting standards board regulations standards and rules 2019 ed

pdf government contract guidebook 4th edition - Jan 08 2023

web apr 2 2023 tiny period to right to use this on line revelation government contract guidebook 4th edition as capably as review them wherever you are now the interpreter s guidebook apr 21 2022

*government contract guidebook 4th edition uniport edu* - Feb 26 2022

web may 22 2023 government contract guidebook 4th edition can be one of the options to accompany you subsequent to having extra time it will not waste your time take me the e book will enormously make public you further issue to read just invest tiny epoch to approach this on line message government contract guidebook 4th edition

**download free government contract guidebook 4th edition free** - Sep 04 2022

web aug 15 2023 download free government contract guidebook 4th edition free download pdf federal contracting made easy government contract guidebook 4th 2011 2012 ed the government contracts reference book a manual of style for contract drafting a practical guide to the nec4 engineering and construction contract the

government contract guidebook 4th edition 2023 wp publish - Apr 30 2022

web government contract guidebook 4th edition book review unveiling the magic of language in an electronic digital era where connections and knowledge reign supreme the enchanting power of language has are more apparent than ever

**government contract guidebook 4th 2009 2010 ed amazon com** - Apr 11 2023

web oct 27 2009 save 5 at checkout terms this guide is a comprehensive easy to use reference on government contracting helpful to novices and seasoned professionals alike it takes you through every step of the contracting process in chronological order from getting the contract to getting paid

government contract guidebook 4th by steven feldman - Feb 09 2023

web government contract guidebook 4th 2010 2011 ed by steven feldman and a great selection of related books art and collectibles available now at abebooks com

**government contract guidebook 4th edition pdf uniport edu** - Dec 07 2022

web jul 19 2023 government contracts nicholas seddon 2009 government contracts 4th edition is australia s definitive legal text on all levels of government contracting which focuses on the legal issues that may arise in connection with government *government contract guidebook 4th 2016 2017 ed amazon com* - Jul 14 2023

web nov 7 2016 for over 30 years government contract guidebook has served as an essential reference to novices and seasoned professionals alike valued as an easy to use comprehensive resource this single volume explains the acquisition process from landing the contract to getting paid

**government contract guidebook 4th 2010 2011 ed alibris** - Mar 10 2023

web buy government contract guidebook 4th 2010 2011 ed by steven feldman online at alibris we have new and used copies available in 1 editions starting at 210 55 shop now

government contract guidebook 4th 202 legal solutions - Aug 15 2023

web buy government contract guidebook 4th 2022 2023 ed at legal solutions from thomson reuters get free shipping on law books

*government contract guidebook 4th edition 2010 2011* - Jul 02 2022

web the fourth edition of government contract law is a comprehensive step by step guide through all aspects of federal government contracting and incorporates numerous significant changes in procurement since the third edition was published government contract law the deskbook for procurement

**government contract guidebook 4th edition uniport edu** - Jun 01 2022

web feb 19 2023 government contract guidebook 4th edition yeah reviewing a book government contract guidebook 4th edition could add your close associates listings this is just one of the solutions for you to be successful

**government contract guidebook 4th edition pdf uniport edu** - Oct 05 2022

web government contract guidebook 4th 2011 2012 ed understanding and negotiating turnkey and epc contracts joseph a huse 2002 this work aims to keep criminal lawyers up to date with the latest cases and legislation and includes

government contract guidebook 4th edition lia erc gov ph - Mar 30 2022

web 4th 2015 2016 ed pdf download government contract guidebook 4th edition 2010 2011 government contract guidebook 4th edition cyberlion net government contract guidebook 4th edition ipostpix org government contract guidebook 4th edition leafandlyre com government contract guidebook lia erc gov ph 1 10

*download free government contract guidebook 4th edition free* - Nov 06 2022

web government contract guidebook 4th 2011 2012 ed federal contracting made easy the government contracts reference book a manual of style for contract drafting a practical guide to the nec4 engineering and construction contract the fidic **government contract guidebook 4th 2010 2011 ed** - Dec 27 2021

web sep 2 2010 government contract guidebook 4th 2010 2011 ed this guide is a comprehensive easy to use reference on government contracting helpful to novices and seasoned professionals alike it takes you through every step of the contracting process in chronological order from getting the contract to getting paid the latest supplement

**don quijote de la mancha real academia española** - Sep 16 2023

web don quijote de la mancha edición del instituto cervantes 1605 1615 2015 dirigida por francisco rico con la colaboración de joaquín forradellas gonzalo pontón el centro para la edición de los clásicos españoles real academia española madrid mxxv por el centro para la edición de los clásicos españoles francisco rico texto

**libro don quijote de la mancha de miguel de cervantes cultura** - Jul 14 2023

web don quijote de la mancha cuyo título original es el ingenioso hidalgo don quijote de la mancha es una novela del subgénero literario burlesco fue escrita por el español miguel de cervantes saavedra 1547 1616 y publicada en dos entregas el primer tomo en el año 1605 y el segundo en 1615

*don quixote wikipedia* - Feb 09 2023

web alonso quixano is an hidalgo nearing 50 years of age who lives in la mancha with his niece and housekeeper while he lives a frugal life as an avid reader of chivalric romances he is full of fantasies about chivalry eventually he goes

cvc don quijote de la mancha centro virtual cervantes - Mar 10 2023

web Índice de don quijote de la mancha de miguel de cervantes edición completa anotada e ilustrada editada por el instituto cervantes y dirigida por francisco rico 1998

**cvc don quijote de la mancha miguel de cervantes** - May 12 2023

web don quijote de la mancha miguel de cervantes edición del instituto cervantes dirigida por francisco rico isbn 84 689 5988 x

*cvc don quijote de la mancha primera parte capítulo primero 1 de* - Apr 11 2023

web la edición de bruseles 1662 llamó libros a las cuatro partes de 1605 y dividió en otros tantos el volumen de 1615 rebautizando el conjunto como vida y hechos del ingenioso caballero don quijote de la mancha título que desde

don quijote de la mancha wikipedia la enciclopedia libre - Oct 17 2023

web don quijote de la mancha a es una novela escrita por el español miguel de cervantes saavedra publicada su primera parte con el título de el ingenioso hidalgo don quijote de la mancha a comienzos de 1605 es la obra más destacada de la literatura española y una de las principales de la literatura universal 1

**don quijote de la mancha obra académica real academia española** - Jan 08 2023

web don quijote de la mancha edición y notas de francisco rico madrid real academia española barcelona espasa 2015 el quijote patrocinado por el instituto cervantes desde 1998 llega a la biblioteca clásica de la real academia española bcrac en una edición ampliamente revisada y renovada esta obra la vigesimosexta de las ciento

**el ingenioso hidalgo don quijote de la mancha** - Jun 13 2023

web de la jamás vista ni oída aventura que con más poco peligro fue acabada de famoso caballero en el mundo como la que acabó el valeroso don quijote de la mancha capítulo xxi que trata de la alta aventura y rica ganancia del yelmo de mambrino con otras sucedidas a nuestro invencible caballero

**un resumen de don quijote de la mancha aboutespañol com** - Aug 15 2023

web nov 1 2019 el ingenioso hidalgo don quijote de la mancha es la obra cumbre de miguel de cervantes saavedra y una de las obras más influyentes de la literatura española además se le considera la primera novela moderna consiste en dos partes que se publicaron en 1605 y 1615 respectivamente esta obra es una parodia de los libros de

**le livre d ha c noch un livre apocryphe de l anci pdf** - Feb 19 2022

web noch un livre apocryphe de l anci published by a very acclaimed author immerses readers in a captivating exploration of the significance of language and its profound effect

**le livre d ha c noch un livre apocryphe de l anci full pdf** - Sep 28 2022

web le livre d ha c noch un livre apocryphe de l anci le livre d ha c noch un livre apocryphe de l anci 2 downloaded from donate pfi org on 2022 08 26 by guest

**le livre d ha c noch un livre apocryphe de l anci uniport edu** - Nov 18 2021

**le livre d hénoch un livre apocryphe de de hénoch** - Jun 06 2023

web sep 16 2023 le livre d ha c noch un livre apocryphe de l anci thank you utterly much for downloading le livre d ha c noch un livre apocryphe de l anci most likely you

**le livre d ha c noch un livre apocryphe de l anci 2023** - Jul 07 2023

web le livre d ha c noch un livre apocryphe de l anci dictionnaire philosophique de la religion où l on établit tous les points de la religion attaqués par les incrédules où l on

**le livre d ha c noch un livre apocryphe de l anci uniport edu** - May 25 2022

web texte apocryphe de la bible écrit par enoch ancêtre de noé exclu de la bible par le concile de laodicée qui fit défense de parler des anges l original du livre d hénoch est

**le livre d ha c noch un livre apocryphe de l anci uniport edu** - Jul 27 2022

web ce livre d hénoc était apocryphe c est à dire caché le mot apocryphe signifie caché dérobé à la connaissance du public un livre peut donc être inspiré et apocryphe c est

**le livre d ha c noch un livre apocryphe de l anci pdf** - Oct 30 2022

web oct 7 2023 pages of le livre d ha c noch un livre apocryphe de l anci a mesmerizing literary creation penned with a celebrated wordsmith readers embark on an

*le livre d ha c noch un livre apocryphe de l anci copy* - Oct 10 2023

web 2 le livre d ha c noch un livre apocryphe de l anci 2021 12 09 toledo congress of the european association for jewish studies offering a broad realistic perspective on

**le livre d ha c noch un livre apocryphe de l anci robert** - Mar 03 2023

web le livre d ha c noch un livre apocryphe de l anci 1 le livre d ha c noch un livre apocryphe de l anci herméneutique sacrée etc quatrième édition augmentée par

*le livre d ha c noch un livre apocryphe de l anci* - Jan 01 2023

web sep 25 2023 le livre d hénoc le plus célèbre des apocryphes de l ancien testament par anonyme aux éditions culturea le livre d hénoc aussi appelé l hénoc ou

**le livre d ha c noch un livre apocryphe de l anci** - Aug 28 2022

web sep 20 2023 le livre d ha c noch un livre apocryphe de l anci 2 4 downloaded from uniport edu ng on september 20 2023 by guest joseph mozin 1811 analyses et

le livre d ha c noch un livre apocryphe de l anci 2022 - Dec 20 2021

web le livre d ha c noch un livre apocryphe de l anci recognizing the artifice ways to acquire this book le livre d ha c noch un livre apocryphe de l anci is additionally

**le livre d ha c noch un livre apocryphe de l anci pdf robert** - Apr 04 2023

web feb 20 2023 to look guide le livre d ha c noch un livre apocryphe de l anci as you such as by searching the title publisher or authors of guide you really want you can

*le livre d ha c noch un livre apocryphe de l anci book* - Jan 21 2022

web 4 le livre d ha c noch un livre apocryphe de l anci 2023 03 24 postulatum développées dans le livre des droites dans un plan et le livre des plansclaudii

**le livre d ha c noch un livre apocryphe de l anci augustin** - Aug 08 2023

web le livre d ha c noch un livre apocryphe de l anci le livre d ha c noch un livre apocryphe de l anci 2 downloaded from donate pfi org on 2020 09 18 by guest a z

**pourquoi le livre d hénoc est inspiré revelationbible** - Jun 25 2022

web apr 26 2023 le livre d ha c noch un livre apocryphe de l anci 2 3 downloaded from uniport edu ng on april 26 2023 by guest neues vollständiges wörterbuch der

le livre d ha c noch un livre apocryphe de l anci copy ftp - Feb 02 2023

web le livre d ha c noch un livre apocryphe de l anci mediaeval antiquity grand dictionnaire universel du xixe siecle francais a z 1805 76 from alexandria through

*le livre d ha c noch un livre apocryphe de l anci pdf* - May 05 2023

web mar 4 2023 this le livre d ha c noch un livre apocryphe de l anci pdf after getting deal so following you require the books swiftly you can straight acquire it its hence

**le livre d hénoch senscritique** - Apr 23 2022

web le livre d ha c noch un livre apocryphe de l anci nature displayed in her mode of teaching language to man grand dictionnaire universel du xixe siecle francais a z

le livre d ha c noch un livre apocryphe de l anci 2022 - Mar 23 2022

web les livres de l année dictionnaire des antiquités chrétiennes catalogue of the london library st james s square london specters of conquest nature displayed in her

**le livre d ha c noch un livre apocryphe de l anci** - Sep 09 2023

web le livre d ha c noch un livre apocryphe de l anci 1 le livre d ha c noch un livre apocryphe de l anci dictionnaire des antiquités chrétiennes from 4qmm to

**le livre d hénoch le plus célèbre des apocryphes de l ancien** - Nov 30 2022

web sep 19 2023 le livre d ha c noch un livre apocryphe de l anci 1 3 downloaded from uniport edu ng on september 19 2023 by guest le livre d ha c noch un livre