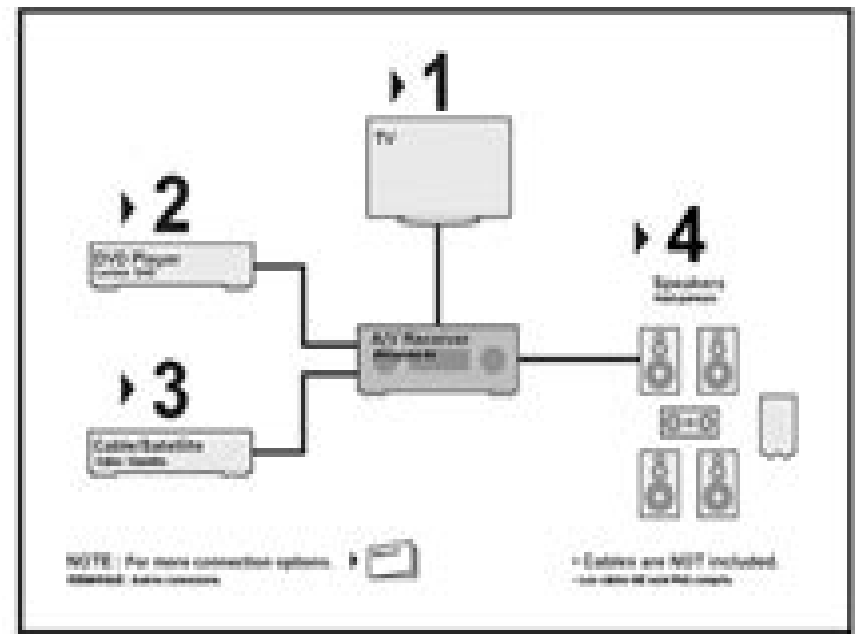


Getting Started

Mise en route

AVR-2809CI / AVR-889



Need more information?

Find more details of active informations!



Denon Avr 2809ci Manual Guide

Huangqi Zhang



Denon Avr 2809ci Manual Guide:

This is likewise one of the factors by obtaining the soft documents of this **Denon Avr 2809ci Manual Guide** by online. You might not require more time to spend to go to the ebook foundation as skillfully as search for them. In some cases, you likewise realize not discover the message Denon Avr 2809ci Manual Guide that you are looking for. It will totally squander the time.

However below, subsequently you visit this web page, it will be in view of that extremely easy to get as without difficulty as download lead Denon Avr 2809ci Manual Guide

It will not say yes many period as we accustom before. You can reach it while ham it up something else at house and even in your workplace. correspondingly easy! So, are you question? Just exercise just what we offer below as competently as review **Denon Avr 2809ci Manual Guide** what you like to read!

https://yousky7.com/About/virtual-library/HomePages/communities_of_influence_influencing_healthcare_through_conversations_and_connections.pdf

Table of Contents Denon Avr 2809ci Manual Guide

1. Understanding the eBook Denon Avr 2809ci Manual Guide
 - The Rise of Digital Reading Denon Avr 2809ci Manual Guide
 - Advantages of eBooks Over Traditional Books
2. Identifying Denon Avr 2809ci Manual Guide
 - Exploring Different Genres
 - Considering Fiction vs. Non-Fiction
 - Determining Your Reading Goals
3. Choosing the Right eBook Platform
 - Popular eBook Platforms
 - Features to Look for in an Denon Avr 2809ci Manual Guide
 - User-Friendly Interface

4. Exploring eBook Recommendations from Denon Avr 2809ci Manual Guide
 - Personalized Recommendations
 - Denon Avr 2809ci Manual Guide User Reviews and Ratings
 - Denon Avr 2809ci Manual Guide and Bestseller Lists
5. Accessing Denon Avr 2809ci Manual Guide Free and Paid eBooks
 - Denon Avr 2809ci Manual Guide Public Domain eBooks
 - Denon Avr 2809ci Manual Guide eBook Subscription Services
 - Denon Avr 2809ci Manual Guide Budget-Friendly Options
6. Navigating Denon Avr 2809ci Manual Guide eBook Formats
 - ePub, PDF, MOBI, and More
 - Denon Avr 2809ci Manual Guide Compatibility with Devices
 - Denon Avr 2809ci Manual Guide Enhanced eBook Features
7. Enhancing Your Reading Experience
 - Adjustable Fonts and Text Sizes of Denon Avr 2809ci Manual Guide
 - Highlighting and Note-Taking Denon Avr 2809ci Manual Guide
 - Interactive Elements Denon Avr 2809ci Manual Guide
8. Staying Engaged with Denon Avr 2809ci Manual Guide
 - Joining Online Reading Communities
 - Participating in Virtual Book Clubs
 - Following Authors and Publishers Denon Avr 2809ci Manual Guide
9. Balancing eBooks and Physical Books Denon Avr 2809ci Manual Guide
 - Benefits of a Digital Library
 - Creating a Diverse Reading Collection Denon Avr 2809ci Manual Guide
10. Overcoming Reading Challenges
 - Dealing with Digital Eye Strain
 - Minimizing Distractions
 - Managing Screen Time
11. Cultivating a Reading Routine Denon Avr 2809ci Manual Guide
 - Setting Reading Goals Denon Avr 2809ci Manual Guide
 - Carving Out Dedicated Reading Time

12. Sourcing Reliable Information of Denon Avr 2809ci Manual Guide
 - Fact-Checking eBook Content of Denon Avr 2809ci Manual Guide
 - Distinguishing Credible Sources
13. Promoting Lifelong Learning
 - Utilizing eBooks for Skill Development
 - Exploring Educational eBooks
14. Embracing eBook Trends
 - Integration of Multimedia Elements
 - Interactive and Gamified eBooks

Denon Avr 2809ci Manual Guide Introduction

In today's digital age, the availability of Denon Avr 2809ci Manual Guide books and manuals for download has revolutionized the way we access information. Gone are the days of physically flipping through pages and carrying heavy textbooks or manuals. With just a few clicks, we can now access a wealth of knowledge from the comfort of our own homes or on the go. This article will explore the advantages of Denon Avr 2809ci Manual Guide books and manuals for download, along with some popular platforms that offer these resources. One of the significant advantages of Denon Avr 2809ci Manual Guide books and manuals for download is the cost-saving aspect. Traditional books and manuals can be costly, especially if you need to purchase several of them for educational or professional purposes. By accessing Denon Avr 2809ci Manual Guide versions, you eliminate the need to spend money on physical copies. This not only saves you money but also reduces the environmental impact associated with book production and transportation. Furthermore, Denon Avr 2809ci Manual Guide books and manuals for download are incredibly convenient. With just a computer or smartphone and an internet connection, you can access a vast library of resources on any subject imaginable. Whether you're a student looking for textbooks, a professional seeking industry-specific manuals, or someone interested in self-improvement, these digital resources provide an efficient and accessible means of acquiring knowledge. Moreover, PDF books and manuals offer a range of benefits compared to other digital formats. PDF files are designed to retain their formatting regardless of the device used to open them. This ensures that the content appears exactly as intended by the author, with no loss of formatting or missing graphics. Additionally, PDF files can be easily annotated, bookmarked, and searched for specific terms, making them highly practical for studying or referencing. When it comes to accessing Denon Avr 2809ci Manual Guide books and manuals, several platforms offer an extensive collection of resources. One such platform is Project Gutenberg, a nonprofit organization that provides over 60,000 free eBooks. These books are primarily in the public domain, meaning they can be freely distributed

and downloaded. Project Gutenberg offers a wide range of classic literature, making it an excellent resource for literature enthusiasts. Another popular platform for Denon Avr 2809ci Manual Guide books and manuals is Open Library. Open Library is an initiative of the Internet Archive, a non-profit organization dedicated to digitizing cultural artifacts and making them accessible to the public. Open Library hosts millions of books, including both public domain works and contemporary titles. It also allows users to borrow digital copies of certain books for a limited period, similar to a library lending system. Additionally, many universities and educational institutions have their own digital libraries that provide free access to PDF books and manuals. These libraries often offer academic texts, research papers, and technical manuals, making them invaluable resources for students and researchers. Some notable examples include MIT OpenCourseWare, which offers free access to course materials from the Massachusetts Institute of Technology, and the Digital Public Library of America, which provides a vast collection of digitized books and historical documents. In conclusion, Denon Avr 2809ci Manual Guide books and manuals for download have transformed the way we access information. They provide a cost-effective and convenient means of acquiring knowledge, offering the ability to access a vast library of resources at our fingertips. With platforms like Project Gutenberg, Open Library, and various digital libraries offered by educational institutions, we have access to an ever-expanding collection of books and manuals. Whether for educational, professional, or personal purposes, these digital resources serve as valuable tools for continuous learning and self-improvement. So why not take advantage of the vast world of Denon Avr 2809ci Manual Guide books and manuals for download and embark on your journey of knowledge?

FAQs About Denon Avr 2809ci Manual Guide Books

How do I know which eBook platform is the best for me? Finding the best eBook platform depends on your reading preferences and device compatibility. Research different platforms, read user reviews, and explore their features before making a choice. Are free eBooks of good quality? Yes, many reputable platforms offer high-quality free eBooks, including classics and public domain works. However, make sure to verify the source to ensure the eBook credibility. Can I read eBooks without an eReader? Absolutely! Most eBook platforms offer web-based readers or mobile apps that allow you to read eBooks on your computer, tablet, or smartphone. How do I avoid digital eye strain while reading eBooks? To prevent digital eye strain, take regular breaks, adjust the font size and background color, and ensure proper lighting while reading eBooks. What the advantage of interactive eBooks? Interactive eBooks incorporate multimedia elements, quizzes, and activities, enhancing the reader engagement and providing a more immersive learning experience. Denon Avr 2809ci Manual Guide is one of the best book in our library for free trial. We provide copy of Denon Avr 2809ci Manual Guide in digital format, so the resources that you find are reliable. There are also many Ebooks of related with Denon Avr 2809ci Manual Guide. Where to

download Denon Avr 2809ci Manual Guide online for free? Are you looking for Denon Avr 2809ci Manual Guide PDF? This is definitely going to save you time and cash in something you should think about.

Find Denon Avr 2809ci Manual Guide :

~~communities of influence influencing healthcare through conversations and connections~~

~~compaq laptop repair manual~~

~~community based instruction manual~~

~~common core additional investigation grade 6~~

~~compaq presario cq60 troubleshooting~~

~~community engagement guide~~

~~commvault simpana 9 admin guide~~

~~common core problem solving 4th grade~~

~~common threads weaving community through collaborative eco art~~

compactrio and labview fundamentals course manual

~~community and business financing guide~~

~~company of heroes axis unit guide~~

~~common icd 9 codes for podiatry~~

~~compair compressor manual model cyclon 475sr~~

~~communication studies past papers 1a 22~~

Denon Avr 2809ci Manual Guide :

~~leadership international student edition sage publications ltd - May 22 2022~~

~~web dec 15 2011 theory and practice of leadership roger gill sage dec 15 2011 medical 552 pages at last a well written~~

~~balanced and insightful british book on~~

~~leadership theory and practice 4th ed apa psycnet - Jan 18 2022~~

~~web leadership theory and practice in m mikulincer p r shaver j f dovidio j a simpson eds apa handbook of personality and~~

~~social psychology vol 2 group~~

leadership international student edition theory and practice - Dec 29 2022

~~web the market leading leadership theory and practice by peter g northouse presents an academically robust account of the~~

major theories and models of leadership with a

leadership international student edition theory and practice - Aug 25 2022

web leadership theory and practice heartened by the positive response to previous editions of leadership theory and practice this fourth edition is written

leadership sage publications inc - May 02 2023

web feb 11 2015 adopted at more than 1 000 colleges universities and institutions worldwide leadership theory and practice provides readers with a user friendly account of a

leadership theory and practice peter g northouse google - Sep 25 2022

web leadership international student edition theory and practice paperback 23 february 2021 by peter g northouse author

leadership theory and practice online resources - Jul 04 2023

web now with a new chapter on inclusive leadership adopted in thousands of courses in 89 countries and translated into 15 different languages this market leading text successfully

theory and practice of leadership sage publications ltd - Oct 07 2023

web theory and practice of leadership will prove a highly stimulating read for undergraduate and postgraduate students of leadership and related subjects as well as management

leadership theory and practice online resources sage - Jun 03 2023

web the market leading leadership theory and practice by peter g northouse presents an academically robust account of the major theories and models of leadership with a

theory and practice of leadership amazon co uk gill - Aug 05 2023

web leadership theory and practice welcome to the sage edge site for leadership eighth edition the sage edge site for leadership by peter g northouse offers a robust

leadership theory and practice worldcat org - Jan 30 2023

web feb 15 2015 english dimensions 6 14 x 1 18 x 9 17 inches see all details next page author frances dodd leadership theory and practice is a scholarly examination of

download pdf leadership theory and practice 9th edition free - Mar 20 2022

web oct 29 2022 edition availability 1 theory and practice of leadership 2011 sage publications in english 2nd ed 1849200238 9781849200233 aaaa not in library

theory and practice of leadership by roger gill open library - Feb 16 2022

web leadership theory and practice 4th ed sage publications inc abstract this fourth edition is written with the same objective to bridge the gap between the often simplistic

leadership theory and practice peter g northouse google - Jul 24 2022

web the market leading leadership theory and practice presents an academically robust account of the major theories and models of leadership with a focus on how theory can

leadership theory and practice 9th edition kindle edition - Nov 27 2022

web jan 1 2001 editions for leadership theory and practice 141294161x paperback published in 2006 1452203407 paperback published in 2012 1506362303 kindle edit

theory and practice of leadership by roger gill open library - Oct 15 2021

web leadership theory and practice ninth edition peter g northouse western michigan university los angeles london new delhi singapore washington dc melbourne for

leadership theory and practice apa psycnet - Dec 17 2021

web dec 1 2022 leadership in organizations is a recent book authored by well known leadership scholars drs gary yukl and william gardner their book attempts to bridge

leadership theory and practice amazon com au - Jun 22 2022

web the market leading leadership theory and practice by peter g northouse presents an academically robust account of the major theories and models of leadership with a

leadership theory and practice worldcat org - Feb 28 2023

web leadership theory and practice author peter g northouse author summary used at more than 1500 institutions in 89 countries and translated into 12 different languages

theory and practice of leadership roger gill google books - Apr 20 2022

web the book covers a wide range of topics related to leadership including trait theories behavioral theories contingency theories transformational leadership and authentic

peter g northouse leadership theory and practice sage - Sep 13 2021

leadership theory and practice peter g northouse google - Sep 06 2023

web feb 9 2018 leadership theory and practice eighth edition provides readers with a user friendly account of a wide range of leadership research in a clear concise and

editions of leadership theory and practice by peter g northouse - Oct 27 2022

web the market leading leadership theory and practice by peter g northouse presents an academically robust account of the major theories and models of leadership with a

yukl g a gardner w l 2020 leadership in organizations - Nov 15 2021

web mar 3 2006 theory and practice of leadership by roger gill march 3 2006 sage publications ltd sage publications edition hardcover in english

[leadership theory and practice peter g northouse google](#) - Apr 01 2023

web leadership theory and practice eighth edition provides readers with a user friendly account of a wide range of leadership research in a clear concise and interesting

[30 top notch welcome aboard response templates to copy](#) - Mar 10 2023

web here s how you can craft an impeccable response that leaves a lasting impression thank you for the warm welcome manager s name i am truly excited to join the team and contribute to its success i appreciate your kind welcome message manager s name

welcome emails for new members and what to reply how i - Mar 30 2022

web apr 27 2021 welcome emails for new members and what to reply back to make existing team know the presence of the new member on board meaning of welcome aboard welcome aboard is a greeting that is used to welcome the new member into the company with pride

[how to reply to a welcome email with examples](#) - Apr 30 2022

web reply to welcome email is a reply that you send to the company that has approached you and welcomed you to their team or in other words a company that has simply hired you we know being a newbie can be daunting there are a thousand insecurities that you face will i fit in will i be able to live up to their expectations will i be able to

[how to respond to a welcome email for a new job salarship](#) - May 12 2023

web example 1 respond to a welcome email from your boss or recruiter your new employer sends an email to the staff announcing your welcome you should express your enthusiasm about working with your new team while

[how to write a welcome aboard email with template and](#) - Dec 27 2021

web aug 6 2023 if you re part of the onboarding process at your workplace it s important to know how to write an effective new employee welcome email in this article we discuss why a welcome aboard email is important show how to write one and provide an example related welcome on board vs welcome aboard with how to and example

45 effective responses to welcome aboard messages from - Jun 13 2023

web jul 30 2023 here are some interesting ways to respond to welcome aboard messages and wishes 1 thank you so much for the warm and friendly welcome truly appreciate that 2 i like to thank you for providing an opportunity to work with a great team like you 3 feeling so excited to start work can t wait to learn from you and take on new

the 30 best welcome messages for new employees calendly - Feb 26 2022

web nov 17 2021 the 30 best welcome messages for new employees read time 9 minutes calendly nov 17 2021 table of

contents the right welcome messages and what they say 30 welcome to the team messages examples experience scheduling automation for yourself create a calendly account in seconds sign up for free

sample messages and wishes welcome aboard reply messages - Oct 05 2022

web well if you are at loss of words on how to reply to welcome aboard messages you have reached the right spot here is an excellent collection of welcome aboard reply messages go ahead and acknowledge the welcome you received while writing the right words thank you for the warm welcome

what to include in a welcome aboard letter with sample letters indeed - Apr 11 2023

web jun 9 2023 related how to write a welcome message to a new employee welcome aboard letter and email examples here are some examples of welcome aboard letters or emails that you could use with your own new hires example 1 dear alexander congratulations we re so happy you decided to join our team

onboarding email reply letter 4 templates writolay - Nov 06 2022

web oct 16 2020 you need to specify the purpose of writing the letter i e response to the onboarding email greet the concerned official with a formal salutation and a professional tone you can now begin the introduction with words of gratitude followed by a confirmation of the acceptance of the job offer

how to reply to welcome on board or welcome aboard - Jul 14 2023

web ways to reply to welcome on board or welcome aboard there are different ways you can respond to welcome on board depending on the impression you want to give if you are usually a laid back person then it is best to open with a casual friendly impression

how to reply to a welcome aboard email with an email template - Jun 01 2022

web replying to a welcome aboard email might seem tricky but it shouldn t be do you wish you would never worry about how to reply to a welcome aboard email or any other kind of email again or think about what s the proper email format or stress about grammar and punctuation of your emails

how to reply to a welcome aboard email from your manager - Aug 15 2023

web jun 24 2022 here are five steps to help you craft a reply to a welcome aboard email 1 write an appropriate greeting replies typically contain a greeting that begins dear or hello and reiterates the sender s name you may include the sender s prefix such as mr mrs ms or dr

how to reply to a welcome aboard email from your manager - Feb 09 2023

web nov 5 2022 1 write an appropriate greeting replies typically contain a greeting that begins dear or hello and reiterates the senders name you may include the senders prefix such as mr mrs ms or dr if you dont know the senders gender identity or prefix use these tips to help you pick a greeting

welcome aboard emails for new members and what to reply - Jul 02 2022

web nov 6 2018 a welcome aboard email can be very comforting it s a way of acknowledging that this person has joined the team it shows that you want him her to feel comfortable and welcome another reason a welcome aboard email is important is that it encourages the new team member to hit the ground running

new job replying to a group thread of welcoming me on my 1st - Dec 07 2022

web sep 4 2021 you don t need to respond to this email chain at all it s assumed that you received those welcome messages and possibly read them if you re not comfortable in replying to them then don t if you do want to reply then a simple thanks everyone for the warm welcomes is fine

how to reply to a welcome e mail as a new employee how i - Jan 08 2023

web apr 20 2021 as simple as it might appear some crucial things to consider when replying to a welcome e mail as a new employee these are discussed in the next subheading things to consider when replying to a welcome e mail as a new employee thank the company and show appreciation for the offer

welcome aboard letter and email examples liveabout - Jan 28 2022

web apr 21 2022 welcome aboard letter template this is an example of a welcome aboard letter download the welcome letter template compatible with google docs and word or see below for more examples the balance download the word template example of a welcome letter text version selena mckensie 123 business rd business city ny

16 best replies when someone says welcome grammarhow - Aug 03 2022

web what should i reply when someone says welcome there are some great responses out there and some of them are remarkably simple here are the best ones to use thank you that s very kind i m much obliged i appreciate that i am honored thanks for having me glad to be here happy to come how polite i m happy to help of course

how to respond to welcome email in a new job - Sep 04 2022

web feb 16 2021 inayat 496 1 4 8 13 i would be brief something along the lines of thanking the sender for the introduction and then addressing your colleagues collectively indicate that you re looking forward to meeting them in a few weeks time i wouldn t expect responses it s just a perfunctory announcement and conversations can be started later steve

manual for peugeot xps 50 copy esource svb - May 05 2023

web peugeot xps 50 owners manuals printable 2020 in simple step and you can get it now portletbridge org pdf ebook and manual referencetextlinksdepot com pdf ebook and manual reference 2015 peugeot xps 50 owners manuals printable 2020 are you search 2015 peugeot xps 50 owners manuals printable 2020 then you

manual for peugeot xps 50 videos bookbrush com - Feb 19 2022

web manual for peugeot xps 50 3 3 separated from a family held captive in castro s cuba but baseball also delivered world

series stardom and a heroic return to his island home after close to a half century of forced exile the man whose name el tiente became a fenway park battle cry has never fully shared his tale in his own words

manual for peugeot xps 50 pdf mail contractorfind trimble - Nov 30 2022

web brendan carey print online peugeot scooter repair manuals haynes manual for peugeot xps 50peugeot xp6 50 pdf user manuals view online or download peugeot xp6 50 manualpeugeot xp6 50 manualsview and

manual for peugeot xps 50 by lenadavis2162 issuu - Apr 04 2023

web sep 22 2017 this particular manual for peugeot xps 50 e book is listed in our data source as hhpnhglafs with file size for about 328 23 and then published at 24 mar 2014

peugeot xps 50 service manual peatix - May 25 2022

web l garage handbook com peugeot speedfight service manual free download peugeot peugeot 50cc xp6 xps service repair manual manualmadness manual for peugeot xps 50 manual for peugeot xps 50 thank you enormously much for downloading manual for peugeot xps 50 customer service my com peugeot xps endurofullmanuals solid

manual for peugeot xps 50 pdf ams istanbul edu - Jan 01 2023

web pdf manual for peugeot xps 50 download or readmanual for peugeot xps 50 manual for peugeot xps 50 recognizing the exaggeration ways to get this ebook manual for peugeot xps 50 is additionally useful you have remained in right site to start getting this info get the manual for peugeot xps 50 partner that we meet the expense of here and

user manual peugeot xps english 16 pages - Oct 10 2023

web view the manual for the peugeot xps here for free this manual comes under the category scooters and has been rated by 4 people with an average of a 8 1 this manual is available in the following languages english

manual for peugeot xps 50 2022 elk dyl - Jun 25 2022

web subject manual for peugeot xps 50 keywords manual for peugeot xps 50 download manual for peugeot xps 50 free download manual for peugeot xps 50 manual for peugeot xps 50 pdf ebooks read manual for peugeot xps 50 pdf books manual for peugeot xps 50 pdf ebooks free ebook manual for peugeot xps 50 free manual

peugeot xps user manual english 16 pages - Sep 09 2023

web view the manual for the peugeot xps here for free this manual comes under the category scooters and has been rated by 4 people with an average of a 8 1 this manual is available in the following languages english

manual for peugeot xps 50 book old sectionvtrack - Sep 28 2022

web enter the realm of manual for peugeot xps 50 a mesmerizing literary masterpiece penned by way of a distinguished author guiding readers on a profound journey to unravel the secrets and potential hidden within every word

manual for peugeot xps 50 blogs post gazette com - Aug 28 2022

web nov 26 2022 documentation peugeot motorcycles en pdf revues sep 18 2019 xp xp6 xp7 xps peugeot jetforce injection manual pdf manuel atelier 50cc c tech à carburateur peugeot technical training speedfight 3 4 50 cc 2t english pdf manuel atelier 50cc sf 3 4 moteur 4t peugeot speedfight 4t pdf manuel compteur numérique

peugeot 50cc xp6 xps service repair manual pdf scribd - Jul 07 2023

web peugeot 50cc xp6 xps service repair manual manualmadness com free download as pdf file pdf text file txt or read online for free peugeot xp6 repair manual

manual for peugeot xps 50 blog enterpryze - Apr 23 2022

web peugeot xps 50 keywords manual for peugeot xps 50 download manual for peugeot xps 50 free download manual for peugeot xps 50 manual for peugeot xps 50 pdf ebooks read manual for peugeot xps 50 pdf books manual for peugeot xps 50 pdf ebooks free ebook manual for peugeot

manual for peugeot xps 50 esource svb com - Oct 30 2022

web peugeot xps 50 owners manuals printable 2020 2016 peugeot xps 50 owners manuals printable 2020 is most popular ebook you must read you can read any ebooks you wanted like 2016 peugeot xps 50 owners manuals printable 2020 in simple step and you can get it now peugeot xps 50 wiring diagram schematron org manual peugeot xps

peugeot xp6 50 manual pdf download manualslib - Aug 08 2023

web view and download peugeot xp6 50 manual online xp6 50 engine pdf manual download

2008 peugeot xps enduro 50 technical specifications ultimate - Mar 03 2023

web the peugeot xps enduro 50 model is a enduro offroad bike manufactured by peugeot in this version sold from year 2008 the dry weight is 97 0 kg 213 8 pounds and it is equipped with a single cylinder two stroke motor the engine produces a max *download manual for peugeot xps 50 slideshare* - Jun 06 2023

web download link on slide 5 page 1 download link on slide 5 page 2 download link on slide 5 page 3 download link on slide 5 page 4 download link on slide 5 pa

manual for peugeot xps 50 pdf las gnome - Jul 27 2022

web jan 16 2023 manual for peugeot xps 50 1 8 downloaded from las gnome org on january 16 2023 by guest manual for peugeot xps 50 getting the books manual for peugeot xps 50 now is not type of inspiring means you could not deserted going next book accrual or library or borrowing from your connections to entry them this is an categorically

manual for peugeot xps 50 pdf users marketciphertrading - Mar 23 2022

web 4 manual for peugeot xps 50 2022 03 29 manual for peugeot xps 50 omb no edited by jordyn alex manual for peugeot xps 50 orrisresta urant com all download peugeot xps 50 wiring diagram peugeot xps 50 project video peugeot xps 50 build peugeot xps 50 peugeot xps 50 soundcheck peugeot xps

peugeot motorcycles xps betriebsanleitung manualslib - Feb 02 2023

web ansicht und herunterladen peugeot motorcycles xps betriebsanleitung online xps motorräder pdf anleitung

herunterladen auch für xp6 xr6