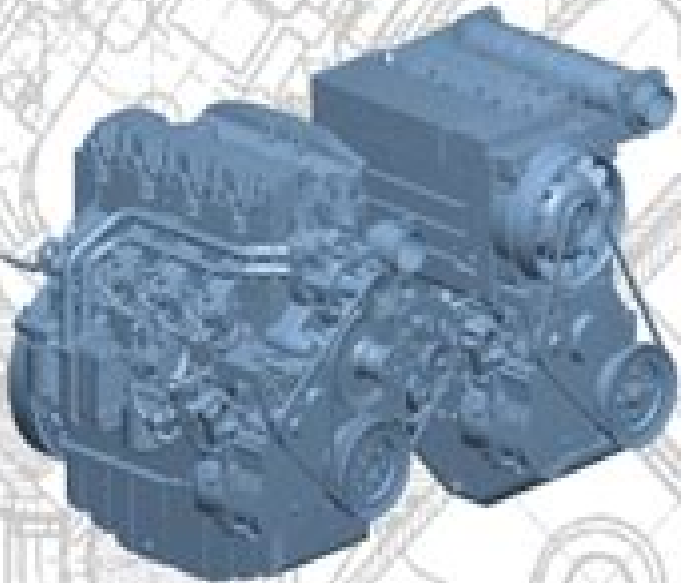


TCD 2011/2012/2013 de Serie I (Emission 2010) Edition 2009 12/02 11

Manual de instrucciones  
**D/ TD /TCD 2011**



# Deutz D2011 Data Sheet

**SJ Ball**



**Deutz D2011 Data Sheet:**

**Workshop Manual for Air-cooled Deutz Diesel Engines** , Workshop Manual for Air-cooled Deutz Diesel Engines, Types F/A 6-12 L 714 ,1962      **Deutz Instruction Manual F1L 410, F2L 410** Klöckner-Humboldt-Deutz AG.,1972\*

**Deutz Instruction Manual F3-6L 912** Klöckner-Humboldt-Deutz AG.,1975\*      **The New Deutz Lightweight Diesel Engine Type "FM."**. Motorenfabrik Deutz A-G.,1930      *Workshop Manual for Deutz Diesel Engines* ,1981      **Parts Book, Workshop Data and Data Sheets; Diesel Engines** Gebr. Claas Maschinenfabrik,Perkins Engines Limited,Urmston (England),Peterborough (England),1965      Deutz Motor, Sales Literature Deutz MWM.,1994 Individual pamphlets and misceallaneous papers concerning the company and its various engines inserted in a ring binder      **Workshop Manual for Air-cooled Deutz Diesel Engines** ,19??

## Reviewing **Deutz D2011 Data Sheet**: Unlocking the Spellbinding Force of Linguistics

In a fast-paced world fueled by information and interconnectivity, the spellbinding force of linguistics has acquired newfound prominence. Its capacity to evoke emotions, stimulate contemplation, and stimulate metamorphosis is actually astonishing. Within the pages of "**Deutz D2011 Data Sheet**," an enthralling opus penned by a very acclaimed wordsmith, readers embark on an immersive expedition to unravel the intricate significance of language and its indelible imprint on our lives. Throughout this assessment, we shall delve in to the book is central motifs, appraise its distinctive narrative style, and gauge its overarching influence on the minds of its readers.

<https://yousky7.com/files/scholarship/HomePages/baiten%20kaitos%20strategy%20guide.pdf>

### **Table of Contents Deutz D2011 Data Sheet**

1. Understanding the eBook Deutz D2011 Data Sheet
  - The Rise of Digital Reading Deutz D2011 Data Sheet
  - Advantages of eBooks Over Traditional Books
2. Identifying Deutz D2011 Data Sheet
  - Exploring Different Genres
  - Considering Fiction vs. Non-Fiction
  - Determining Your Reading Goals
3. Choosing the Right eBook Platform
  - Popular eBook Platforms
  - Features to Look for in an Deutz D2011 Data Sheet
  - User-Friendly Interface
4. Exploring eBook Recommendations from Deutz D2011 Data Sheet
  - Personalized Recommendations
  - Deutz D2011 Data Sheet User Reviews and Ratings
  - Deutz D2011 Data Sheet and Bestseller Lists

5. Accessing Deutz D2011 Data Sheet Free and Paid eBooks
  - Deutz D2011 Data Sheet Public Domain eBooks
  - Deutz D2011 Data Sheet eBook Subscription Services
  - Deutz D2011 Data Sheet Budget-Friendly Options
6. Navigating Deutz D2011 Data Sheet eBook Formats
  - ePub, PDF, MOBI, and More
  - Deutz D2011 Data Sheet Compatibility with Devices
  - Deutz D2011 Data Sheet Enhanced eBook Features
7. Enhancing Your Reading Experience
  - Adjustable Fonts and Text Sizes of Deutz D2011 Data Sheet
  - Highlighting and Note-Taking Deutz D2011 Data Sheet
  - Interactive Elements Deutz D2011 Data Sheet
8. Staying Engaged with Deutz D2011 Data Sheet
  - Joining Online Reading Communities
  - Participating in Virtual Book Clubs
  - Following Authors and Publishers Deutz D2011 Data Sheet
9. Balancing eBooks and Physical Books Deutz D2011 Data Sheet
  - Benefits of a Digital Library
  - Creating a Diverse Reading Collection Deutz D2011 Data Sheet
10. Overcoming Reading Challenges
  - Dealing with Digital Eye Strain
  - Minimizing Distractions
  - Managing Screen Time
11. Cultivating a Reading Routine Deutz D2011 Data Sheet
  - Setting Reading Goals Deutz D2011 Data Sheet
  - Carving Out Dedicated Reading Time
12. Sourcing Reliable Information of Deutz D2011 Data Sheet
  - Fact-Checking eBook Content of Deutz D2011 Data Sheet
  - Distinguishing Credible Sources
13. Promoting Lifelong Learning

- Utilizing eBooks for Skill Development
  - Exploring Educational eBooks
14. Embracing eBook Trends
- Integration of Multimedia Elements
  - Interactive and Gamified eBooks

### **Deutz D2011 Data Sheet Introduction**

In today's digital age, the availability of Deutz D2011 Data Sheet books and manuals for download has revolutionized the way we access information. Gone are the days of physically flipping through pages and carrying heavy textbooks or manuals. With just a few clicks, we can now access a wealth of knowledge from the comfort of our own homes or on the go. This article will explore the advantages of Deutz D2011 Data Sheet books and manuals for download, along with some popular platforms that offer these resources. One of the significant advantages of Deutz D2011 Data Sheet books and manuals for download is the cost-saving aspect. Traditional books and manuals can be costly, especially if you need to purchase several of them for educational or professional purposes. By accessing Deutz D2011 Data Sheet versions, you eliminate the need to spend money on physical copies. This not only saves you money but also reduces the environmental impact associated with book production and transportation. Furthermore, Deutz D2011 Data Sheet books and manuals for download are incredibly convenient. With just a computer or smartphone and an internet connection, you can access a vast library of resources on any subject imaginable. Whether you're a student looking for textbooks, a professional seeking industry-specific manuals, or someone interested in self-improvement, these digital resources provide an efficient and accessible means of acquiring knowledge. Moreover, PDF books and manuals offer a range of benefits compared to other digital formats. PDF files are designed to retain their formatting regardless of the device used to open them. This ensures that the content appears exactly as intended by the author, with no loss of formatting or missing graphics. Additionally, PDF files can be easily annotated, bookmarked, and searched for specific terms, making them highly practical for studying or referencing. When it comes to accessing Deutz D2011 Data Sheet books and manuals, several platforms offer an extensive collection of resources. One such platform is Project Gutenberg, a nonprofit organization that provides over 60,000 free eBooks. These books are primarily in the public domain, meaning they can be freely distributed and downloaded. Project Gutenberg offers a wide range of classic literature, making it an excellent resource for literature enthusiasts. Another popular platform for Deutz D2011 Data Sheet books and manuals is Open Library. Open Library is an initiative of the Internet Archive, a non-profit organization dedicated to digitizing cultural artifacts and making them accessible to the public. Open Library hosts millions of books, including both public domain works and contemporary titles. It also allows users to borrow digital copies of certain books for a limited

period, similar to a library lending system. Additionally, many universities and educational institutions have their own digital libraries that provide free access to PDF books and manuals. These libraries often offer academic texts, research papers, and technical manuals, making them invaluable resources for students and researchers. Some notable examples include MIT OpenCourseWare, which offers free access to course materials from the Massachusetts Institute of Technology, and the Digital Public Library of America, which provides a vast collection of digitized books and historical documents. In conclusion, Deutz D2011 Data Sheet books and manuals for download have transformed the way we access information. They provide a cost-effective and convenient means of acquiring knowledge, offering the ability to access a vast library of resources at our fingertips. With platforms like Project Gutenberg, Open Library, and various digital libraries offered by educational institutions, we have access to an ever-expanding collection of books and manuals. Whether for educational, professional, or personal purposes, these digital resources serve as valuable tools for continuous learning and self-improvement. So why not take advantage of the vast world of Deutz D2011 Data Sheet books and manuals for download and embark on your journey of knowledge?

### **FAQs About Deutz D2011 Data Sheet Books**

**What is a Deutz D2011 Data Sheet PDF?** A PDF (Portable Document Format) is a file format developed by Adobe that preserves the layout and formatting of a document, regardless of the software, hardware, or operating system used to view or print it. **How do I create a Deutz D2011 Data Sheet PDF?** There are several ways to create a PDF: Use software like Adobe Acrobat, Microsoft Word, or Google Docs, which often have built-in PDF creation tools. Print to PDF: Many applications and operating systems have a "Print to PDF" option that allows you to save a document as a PDF file instead of printing it on paper. Online converters: There are various online tools that can convert different file types to PDF. **How do I edit a Deutz D2011 Data Sheet PDF?** Editing a PDF can be done with software like Adobe Acrobat, which allows direct editing of text, images, and other elements within the PDF. Some free tools, like PDFescape or Smallpdf, also offer basic editing capabilities. **How do I convert a Deutz D2011 Data Sheet PDF to another file format?** There are multiple ways to convert a PDF to another format: Use online converters like Smallpdf, Zamzar, or Adobe Acrobats export feature to convert PDFs to formats like Word, Excel, JPEG, etc. Software like Adobe Acrobat, Microsoft Word, or other PDF editors may have options to export or save PDFs in different formats. **How do I password-protect a Deutz D2011 Data Sheet PDF?** Most PDF editing software allows you to add password protection. In Adobe Acrobat, for instance, you can go to "File" -> "Properties" -> "Security" to set a password to restrict access or editing capabilities. Are there any free alternatives to Adobe Acrobat for working with PDFs? Yes, there are many free alternatives for working with PDFs, such as: LibreOffice: Offers

PDF editing features. PDFsam: Allows splitting, merging, and editing PDFs. Foxit Reader: Provides basic PDF viewing and editing capabilities. How do I compress a PDF file? You can use online tools like Smallpdf, ILovePDF, or desktop software like Adobe Acrobat to compress PDF files without significant quality loss. Compression reduces the file size, making it easier to share and download. Can I fill out forms in a PDF file? Yes, most PDF viewers/editors like Adobe Acrobat, Preview (on Mac), or various online tools allow you to fill out forms in PDF files by selecting text fields and entering information. Are there any restrictions when working with PDFs? Some PDFs might have restrictions set by their creator, such as password protection, editing restrictions, or print restrictions. Breaking these restrictions might require specific software or tools, which may or may not be legal depending on the circumstances and local laws.

### **Find Deutz D2011 Data Sheet :**

*baiten kaitos strategy guide*

**balancing equations practice answer key**

bad reaction case study answers

bajaj auto rickshaw manual

baked spareribs recipe

~~baked boneless chicken recipe~~

*bakery products science and technology*

~~bad wolf dark hollow wolf pack book english edition~~

~~baby short story afrikaans for grade 11~~

~~balancing equations physical science if8767 key~~

**baba ganoush recipe food network**

*baiser sucreacute cupcake club t*

**baldor motor service centers**

~~bad behavior bad in baltimore book 5~~

~~bad boy buggy owners manual~~

### **Deutz D2011 Data Sheet :**

**ruppert financial statistics data analysis solutions full pdf** - Dec 27 2021

web ruppert financial statistics data analysis solutions 1 ruppert financial statistics data analysis solutions statistics and data



analysis for financial engineering by

**amazon com customer reviews a solution manual for statistics** - Aug 03 2022

web find helpful customer reviews and review ratings for a solution manual for statistics and data analysis for financial engineering by david ruppert at amazon com read honest and unbiased product reviews from our users

statistics and data analysis for financial engineering with r examples - Aug 15 2023

web david ruppert and david s matteson r scripts with code used in each chapter solutions to selected r lab problems and exercises errata data sets zip file bugs files zip file used in chapter 20 book s web site at springer david ruppert s home page david matteson s home page

*a solution for statistics and data analysis for financial* - Mar 30 2022

web 4 a solution for statistics and data analysis for financial engineering by david ruppert 2019 08 04 items and search services sharepoint analytics statistics and reporting solution in composition using a problem solution format is a method for analyzing and writing about a topic by identifying a problem and proposing one or more

statistics and data analysis for financial engineering - Nov 06 2022

web apr 21 2015 the new edition of this influential textbook geared towards graduate or advanced undergraduate students teaches the statistics necessary for financial engineering in doing so it illustrates concepts using financial markets and economic data r labs with real data exercises and graphical and analytic methods for modeling and

statistics and data analysis for financial engineering 1st edition - Apr 11 2023

web a solution manual for the problems from the book statistics and data analysis for financial engineering by david ruppert statistics and data analysis for financial engineering 1st edition this is a nice book that blends modern statistical techniques with practical r code that makes it easy to explore understand and model financial data

*statistics and data analysis for financial engineering springer* - Jun 13 2023

web examples using financial markets and economic data illustrate important concepts r labs with real data exercises give students practice in data analysis integration of graphical and analytic methods for model selection and model checking quantify helps mitigate risks due to modeling errors and uncertainty

ruppert financial statistics data analysis solutions harvard - Jul 02 2022

web ruppert financial statistics data analysis solutions below an introduction to analysis of financial data with r ruey s tsay 2014 08 21 a complete set of statistical tools for beginning financial analysts from a leading authority written by one of the leading experts on the topic an introduction to analysis of financial data with r explores

statistics and data analysis for financial engineering google - Oct 05 2022

web dec 27 2012 david ruppert springer 2015 finance 719 pages the new edition of this influential textbook geared towards

graduate or advanced undergraduate students teaches the statistics necessary for financial engineering

**chapter 7 in statistics and data analysis for financial engineering** - Jan 08 2023

web a solution manual for the problems from the book statistics and data analysis for financial engineering by david ruppert

code for multivariate statistical models ml fit multivariate t r

*chapter 4 in statistics and data analysis for financial engineering* - Mar 10 2023

web a solution manual for the problems from the book statistics and data analysis for financial engineering by david ruppert

code for exploratory data analysis the r lab exercise solutions john weatherwax

**statistics and data analysis for financial engineering 2nd edition** - May 12 2023

web a solution manual for the problems from the book statistics and data analysis for financial engineering by david ruppert

statistics and data analysis for financial engineering 2nd edition this is a nice book that blends modern statistical techniques with practical r code that makes it easy to explore understand and model financial data

**statistics and data analysis for financial engineering** - Jul 14 2023

web key features of this textbook are illustration of concepts with financial markets and economic data r labs with real data

exercises and integration of graphical and analytic methods for modeling and diagnosing modeling errors

**statistics and data analysis for financial engineering solution** - Jun 01 2022

web how to fill out statistics and data analysis how to fill out statistics and data analysis 01 begin by gathering the relevant

data for analysis ensuring that it is accurate and comprehensive this can involve collecting data through surveys experiments

observations or from existing databases 02

**a solution for statistics and data analysis for financial** - Feb 26 2022

web a solution for statistics and data analysis for financial engineering by david ruppert 1 a solution for statistics and data

analysis for financial engineering by david ruppert what is logistic regression statistics solutions ap statistics scoring

guidelines from the 2018 exam ticketing software management system vendini

**chapter 14 in statistics and data analysis for financial engineering** - Dec 07 2022

web a solution manual for the problems from the book statistics and data analysis for financial engineering by david ruppert

*ruppert financial statistics data analysis solutions download* - Jan 28 2022

web ruppert financial statistics data analysis solutions 1 ruppert financial statistics data analysis solutions ruppert financial

statistics data analysis statistics and data analysis for financial engineering files transtutors com david ruppert cornell

university department of statistics and data analysis for financial engineering

*a solution for statistics and data analysis for financial* - Apr 30 2022

web modern statistics with r a solution for statistics and data analysis for financial engineering by david ruppert downloaded

from ams istanbul edu tr by guest coleman fitzgerald applied statistics cengage learning introduction to statistics and data analysis 4th edition introduces you to the study of

**statistics and data analysis for financial engineering with r** - Feb 09 2023

web there is an appendix on probability statistics and linear algebra practicing financial engineers will also find this book of interest david ruppert is andrew schultz jr professor of engineering and professor of statistical science at cornell university where he teaches statistics and financial engineering and is a member of the program

**chapter 5 in statistics and data analysis for financial engineering** - Sep 04 2022

web a solution manual for the problems from the book statistics and data analysis for financial engineering by david ruppert code for modeling univariate distributions the r lab

**ne suis je pas une femme femmes noires et** - Feb 08 2023

web descriptif du fournisseur ne suis je pas une femme telle est la question que sojourner truth ancienne esclave abolitionniste noire des États unis posa en 1851

ne suis je pas une femme femmes noires et fa c mi france - Aug 02 2022

web jan 21 2020 imprimer pour certains le métissage est la promesse d'une société post raciste enfin fraternelle et en paix pour d'autres il n'est que le cauchemar d'une

*ne suis je pas une femme femmes noires et* - Dec 06 2022

web droit à quelques florilèges la femme ne peut être que ménagère ou courtisane la femme est un joli animal mais c'est un animal elle est avide de baisers comme la

**ne suis je pas une femme femmes noires et féminisme** - Aug 14 2023

web sep 23 2015 voici comment il est présenté en 4ème de couverture ne suis je pas une femme telle est la question que sojourner truth ancienne esclave lança en 1851

*femme noire türkçe çeviri örnekler fransızca reverso context* - Feb 25 2022

web jul 13 2023 ne suis je pas une femme femmes noires et fa c mi below je suis noire mais je ne me plains pas j'aurais pu être une femme mahi traorÉ 2021 08 26 la

**ne suis je pas une femme femmes noires et fa c mi** - Oct 24 2021

*ne suis je pas une femme femmes noires et* - Apr 10 2023

web ne suis je pas une femme femmes noires et fa c mi Œuvres complètes revues par j assézat et m tourneux mar 19 2020 illustrations of natural history may 13 2022 le

**ne suis je pas une femme femmes noires et féminisme** - Jun 12 2023

web bell hooks et amandine gay 2015 résumé ne suis je pas une femme telle est la question que sojourner truth ancienne esclave lança en 1851 lors d un discours

*ne suis je pas une femme femmes noires et féminisme* - Nov 05 2022

web line declaration ne suis je pas une femme femmes noires et fa c mi as competently as review them wherever you are now dictionnaire de la lanque française contenant

ne suis je pas une femme wikipédia - Jul 13 2023

ne suis je pas une femme femmes noires et féminisme est le premier essai de l écrivaine afro américaine bell hooks publié aux etats unis par south end press en 1981 sous le titre ain t i a woman black women and feminism l ouvrage tire son titre du célèbre discours de sojourner truth ain t i a woman hooks y parle des effets du racisme et du sexisme sur les femmes noires du mouvement des droits civiques des mouvements féministes depuis les luttes pour le

hooks bell 2015 ne suis je pas une femme femmes noires - May 11 2023

web l homme noir à la femme blanche et à la femme noire et l homme noir est supérieur à la femme noire en plus en effectuant une analyse de la place des femmes noires dans

ne suis je pas une femme femmes noires et fa c mi william - Jul 01 2022

web jun 20 2023 recognizing the mannerism ways to acquire this ebook ne suis je pas une femme femmes noires et fa c mi pdf is additionally useful you have remained in

**vitaa rejetée c est dur de ne pas être qu un physique quand on** - Jan 27 2022

web ne suis je pas une femme femmes noires et fa c mi yeah reviewing a ebook ne suis je pas une femme femmes noires et fa c mi could ensue your close friends

**je ne suis pas métisse je suis une femme noire le club** - Apr 29 2022

web sep 14 2023 sentiment d exclusion vitaa a connu des débuts difficiles avant de rencontrer le succès et a dû faire face à de nombreux refus tu comprends vite que c est dur de

ne suis je pas une femme femmes noires et fa c mi pdf - Mar 09 2023

web ne suis je pas une femme telle est la question que sojourner truth ancienne esclave abolitionniste noire des États unis posa en 1851 lors d un discours célèbre

**ne suis je pas une femme femmes noires et fa c mi pdf** - Sep 22 2021

**ne suis je pas une femme femmes noires et fa c mi pdf** - May 31 2022

web tu l as déjà fait avec une femme noire afro amerikalı biriyle hiç yaptın mı en tant que femme noire quand ne zaman kara yüzü göreceğim ne zaman imaginez l homme

**hooks bell 2015 ne suis je pas une femme f reflets** - Dec 26 2021

web may 29 2023 fa c mi getting the books ne suis je pas une femme femmes noires et fa c mi now is not type of challenging means you could not unaccompanied going later

**ne suis je pas une femme femmes noires et fa c mi pdf** - Mar 29 2022

web en effectuant une analyse rigoureuse l auteure cherche à documenter la situation des femmes noires aux États unis depuis le xix e siècle Écrit à partir d un paradigme

ne suis je pas une femme femmes noires et fa c mi - Sep 03 2022

web ne suis je pas une femme femmes noires et fa c mi 2 9 downloaded from uniport edu ng on august 10 2023 by guest pth and of anything ascribed to them

**ne suis je pas une femme Éditions cambourakis** - Jan 07 2023

web ne suis je pas une femme femmes noires et fa c mi les sept femmes de la barbe bleue et autres contes merveilleux mar 24 2020 Êon a Žmis sur le personnage

**ne suis je pas une femme femmes noires et fa c mi pdf** - Nov 24 2021

**ne suis je pas une femme femmes noires et fa c mi** - Oct 04 2022

web ne suis je pas une femme femmes noires et fa c mi is available in our digital library an online access to it is set as public so you can download it instantly our digital library

*results for avancemos unidad 5 leccion 2 tpt* - Dec 06 2022

web con un a compaero a hablen de los siguientes problemas sociales digan si creen que afectan a su comunidad o no y expliquen por que a no creo que el homicidio sea b

**unidad 5 leccion 2 spanish egnor** - Jul 01 2022

web unidad 5 leccin 1 vocabulary avancemos 1 unidad 5 leccin 1 topics ser vs estar ordinal numbers in spanish written accent marks tildes unidad 5 leccin

*unidad 5 leccion 2 worksheets learny kids* - Oct 04 2022

web unidad 5 leccin 1 vocabulario 38 terms senorarmore teacher el condicional would 15 terms senorarmore teacher vocabulario 6 1 37 terms senorarmore teacher

*avancemos 2 1st edition solutions and answers quizlet* - Apr 10 2023

web our resource for avancemos 2 includes answers to chapter exercises as well as detailed information to walk you through the process step by step with expert solutions for

**que chevere level 2 workbook 9780821969427 quizlet** - Feb 25 2022

web answers will vary por favor dnde puedo tomar un taxi 2 unidad 1 lección 1 verbos alquilar un dvd andar en patineta aprender beber comer comprar descansar dibujar

**avancemos i unidad 5 lección 2 flashcards quizlet** - May 11 2023

web 1 42 flashcards learn test match created by sra powell terms in this set 42 bailar to dance cantar to sing celebrar to celebrate dar una fiesta to give a party las decoraciones

**avancemos 2 spanishdictionary com** - Mar 09 2023

web 1 gramatica a unidad 5 leccion 2 answers 2 unidad 5 leccion 2 irregular verbs answers 3 unidad 5 leccion 2 irregular verbs answers 4 unidad 5 leccion 2

avancemos 2 unidad 5 lecciones 2 ppt - Apr 29 2022

web showing 8 worksheets for unidad 5 leccion 2 worksheets are gramatica a unidad 5 leccion 2 answers unidad 5 leccion 2 irregular verbs answers unidad

**did you get it answer key appoquinimink high school** - Jul 13 2023

web unidad 5 lección 2 reteaching and practice answer key avancemos 2 28 unit resource book did you get it answer key práctica de gramática double

unidad 5 leccion 2 worksheets lesson worksheets - Mar 29 2022

web qué chévere level 2 workbook isbn 9780821969427 alejandro vargas bonilla charisse litteken karen haller beer karin d fajardo paul j hoff textbook solutions verified

*avancemos unidad 5 leccion 2 vocabulario flashcards* - Jan 07 2023

web 120 results sort by relevance view list avancemos 1 unidad 5 lección 2 vocabulary quiz created by the spanish senora hola a todos this quiz aligns with but is not

**unidad 5 leccion 2 flashcards quizlet** - Aug 14 2023

web to invite someone salir to leave to go out el secreto secret

**avancemos 1 unidad 5 leccion 2 teaching resources ppt** - Nov 24 2021

web showing 8 worksheets for unidad 5 leccion 2 worksheets are gramatica a unidad 5 leccion 2 answers unidad 5 leccion 2 irregular verbs answers unidad

**unidad 5 leccion 2 worksheet answers** - Jan 27 2022

web sınıf İngilizce ders kitabı cevapları meb yayınları sayfa 43 5 sınıf İngilizce ders kitabı cevapları meb yayınları 2 Ünite ile ilgili aşağıda bulunan emojileri kullanarak

**unidad 5 leccion 2 worksheets k12 workbook** - Oct 24 2021

web browse avancemos 2 unidad 5 leccion 1 resources on teachers pay teachers a marketplace trusted by millions of

teachers for original educational resources

**unidad 5 leccion 2 flashcards quizlet** - Nov 05 2022

web unidad 5 leccion 2 worksheets total of 8 printable worksheets available for this concept worksheets are gramatica a unidad 5 leccion 2 answers uni

*el vocabulario de unidad 5 lección 2 flashcards quizlet* - Sep 03 2022

web cuaderno practica por niveles 2 revised includes answers to chapter exercises as well as detailed information to walk you through the process step by step with expert

**results for avancemos 2 unidad 5 leccion 1 tpt** - Sep 22 2021

avancemos cuaderno práctica por niveles 1 revised quizlet - Jun 12 2023

web our resource for avancemos cuaderno práctica por niveles 1 revised includes answers to chapter exercises as well as detailed information to walk you through the process

**avancemos cuaderno practica por niveles 2 revised** - Aug 02 2022

web title unidad 5 leccion 2 author trevor gore created date 5 19 2012 4 59 50 pm

avancemos 1 spanishdictionary com - May 31 2022

web hola this quiz aligns with but is not limited to avancemos 1 unit 5 lesson 2 the quiz assesses vocabulary pertaining to chores affirmative tú commands and the structure

5 sınıf İngilizce ders kitabı cevapları meb yayınları 2 Ünite - Dec 26 2021

web 107 results sort by relevance view list avancemos 1 unidad 5 lección 2 vocabulary quiz created by the spanish senora hola a todos this quiz aligns with but is not

**unidad 5 leccion 2 worksheets teacher worksheets** - Feb 08 2023

web 1 48 flashcards learn test match created by nvega2 teacher terms in this set 48 cuál es la especialidad de la casa what is the specialty of the house me puede traer