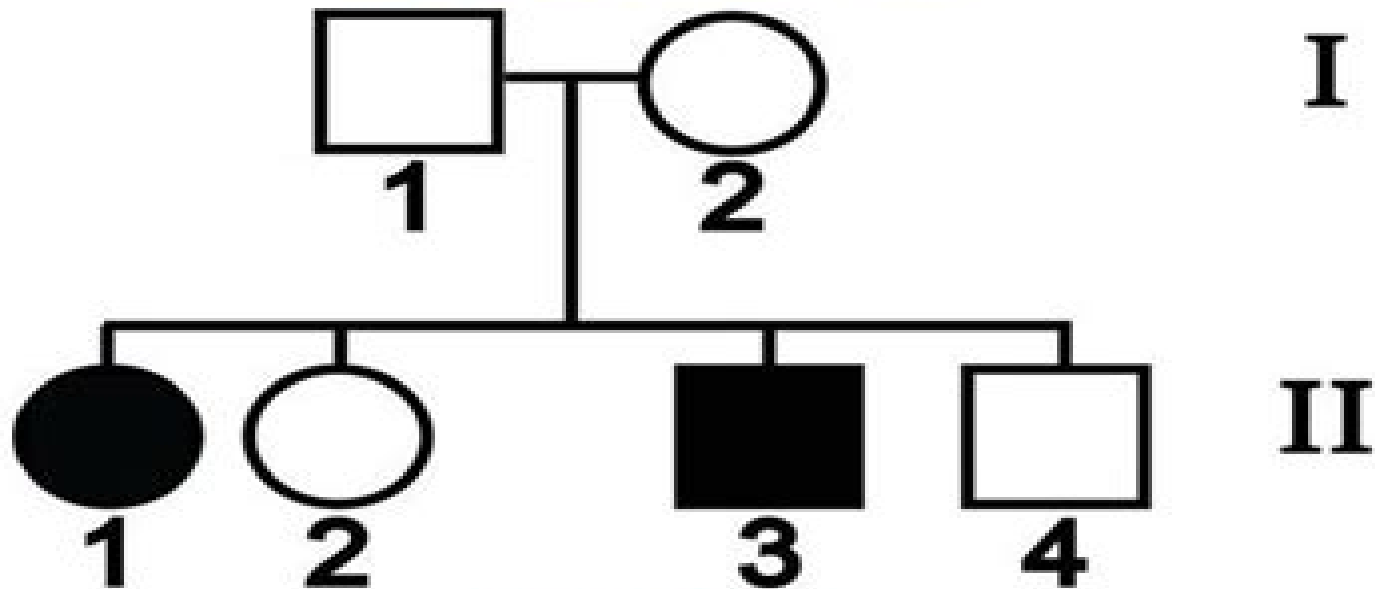


PEDIGREE GENETICS INTRODUCTION PACKET OF QUESTIONS



Includes:

Detailed Tutorial for
Autosomal Recessive Traits

Additional Practice and Homework Questions

Full Teacher Answer Key!

Grades 9-12

Chemical Basis Of Genetics Interpreting Diagrams

Christine Henderson, Sue MacDonald



Chemical Basis Of Genetics Interpreting Diagrams:

Some possible bearings of genetics on pathology Thomas Hunt Morgan,1922 **Resources in education** ,1983-04
Elements of Medical Genetics Alan E. H. Emery,1983 Molecular Genetics and Human Disease Lytt Irvine
Gardner,1961 **Human Genetics and Its Foundations** Maurice Whittinghill,1965 **Mayes' Midwifery** Christine
Henderson,Sue MacDonald,2004 Completely updated throughout Mayes Midwifery 13th Edition is still the most thorough
midwifery textbook available Focusing on modern clinical realities with a clear emphasis on the normal this popular text
guides readers confidently from the first days of study to the first days of qualified practice **The AAAS Science Book**
List American Association for the Advancement of Science,1970 **Guidelines for Medical School Libraries** Joint
Committee of the Association of American Medical Colleges and the Medical Library Association,1965 The Journal of the
American Scientific Affiliation American Scientific Affiliation,1970 The Routledge Companion to Biology in Art and
Architecture Charissa Terranova,Meredith Tromble,2016-08-12 The Routledge Companion to Biology in Art and Architecture
collects thirty essays from a transdisciplinary array of experts on biology in art and architecture The book presents a
diversity of hybrid art and science thinking revealing how science and culture are interwoven The book situates bioart and
bioarchitecture within an expanded field of biology in art architecture and design It proposes an emergent field of
biocreativity and outlines its historical and theoretical foundations from the perspective of artists architects designers
scientists historians and theoreticians Includes over 150 black and white images *The Shipley Collection of Scientific*
Papers ,1922 **The World Book Encyclopedia: Research Guide - Index** World Book, Inc,2007 An encyclopedia
designed especially to meet the needs of elementary junior high and senior high school students Genetics George
Harrison Shull,Donald Forsha Jones,Leslie Clarence Dunn,Curt Stern,Royal Alexander Brink,1929 Genetics accepts
contributions that present the results of original research in genetics and related scientific disciplines The Medical
Journal of Australia ,1968 *Dairy Profit Report* ,1995 **The World Book Encyclopedia** ,1996 *AIBS Bulletin* ,1959
GED Seymour Barasch,Barbara Hull,Ronald Kappraff,1992-02 Reviews math social studies science and reading and
writing skills and provides three sample tests with answers explained **Arco Preparation for the GED** Seymour
Barasch,1996 Includes model tests with explanations and study tips for GED Journal of Medical Genetics ,1969

Yeah, reviewing a ebook **Chemical Basis Of Genetics Interpreting Diagrams** could mount up your near associates listings. This is just one of the solutions for you to be successful. As understood, talent does not suggest that you have astounding points.

Comprehending as with ease as concurrence even more than extra will find the money for each success. neighboring to, the message as without difficulty as perception of this Chemical Basis Of Genetics Interpreting Diagrams can be taken as skillfully as picked to act.

https://yousky7.com/files/publication/fetch.php/Briggs_And_Stratton_16_Hp_Service_Manual.pdf

Table of Contents Chemical Basis Of Genetics Interpreting Diagrams

1. Understanding the eBook Chemical Basis Of Genetics Interpreting Diagrams
 - The Rise of Digital Reading Chemical Basis Of Genetics Interpreting Diagrams
 - Advantages of eBooks Over Traditional Books
2. Identifying Chemical Basis Of Genetics Interpreting Diagrams
 - Exploring Different Genres
 - Considering Fiction vs. Non-Fiction
 - Determining Your Reading Goals
3. Choosing the Right eBook Platform
 - Popular eBook Platforms
 - Features to Look for in an Chemical Basis Of Genetics Interpreting Diagrams
 - User-Friendly Interface
4. Exploring eBook Recommendations from Chemical Basis Of Genetics Interpreting Diagrams
 - Personalized Recommendations
 - Chemical Basis Of Genetics Interpreting Diagrams User Reviews and Ratings
 - Chemical Basis Of Genetics Interpreting Diagrams and Bestseller Lists
5. Accessing Chemical Basis Of Genetics Interpreting Diagrams Free and Paid eBooks

- Chemical Basis Of Genetics Interpreting Diagrams Public Domain eBooks
 - Chemical Basis Of Genetics Interpreting Diagrams eBook Subscription Services
 - Chemical Basis Of Genetics Interpreting Diagrams Budget-Friendly Options
6. Navigating Chemical Basis Of Genetics Interpreting Diagrams eBook Formats
 - ePub, PDF, MOBI, and More
 - Chemical Basis Of Genetics Interpreting Diagrams Compatibility with Devices
 - Chemical Basis Of Genetics Interpreting Diagrams Enhanced eBook Features
 7. Enhancing Your Reading Experience
 - Adjustable Fonts and Text Sizes of Chemical Basis Of Genetics Interpreting Diagrams
 - Highlighting and Note-Taking Chemical Basis Of Genetics Interpreting Diagrams
 - Interactive Elements Chemical Basis Of Genetics Interpreting Diagrams
 8. Staying Engaged with Chemical Basis Of Genetics Interpreting Diagrams
 - Joining Online Reading Communities
 - Participating in Virtual Book Clubs
 - Following Authors and Publishers Chemical Basis Of Genetics Interpreting Diagrams
 9. Balancing eBooks and Physical Books Chemical Basis Of Genetics Interpreting Diagrams
 - Benefits of a Digital Library
 - Creating a Diverse Reading Collection Chemical Basis Of Genetics Interpreting Diagrams
 10. Overcoming Reading Challenges
 - Dealing with Digital Eye Strain
 - Minimizing Distractions
 - Managing Screen Time
 11. Cultivating a Reading Routine Chemical Basis Of Genetics Interpreting Diagrams
 - Setting Reading Goals Chemical Basis Of Genetics Interpreting Diagrams
 - Carving Out Dedicated Reading Time
 12. Sourcing Reliable Information of Chemical Basis Of Genetics Interpreting Diagrams
 - Fact-Checking eBook Content of Chemical Basis Of Genetics Interpreting Diagrams
 - Distinguishing Credible Sources
 13. Promoting Lifelong Learning
 - Utilizing eBooks for Skill Development

- Exploring Educational eBooks
14. Embracing eBook Trends
- Integration of Multimedia Elements
 - Interactive and Gamified eBooks

Chemical Basis Of Genetics Interpreting Diagrams Introduction

In the digital age, access to information has become easier than ever before. The ability to download Chemical Basis Of Genetics Interpreting Diagrams has revolutionized the way we consume written content. Whether you are a student looking for course material, an avid reader searching for your next favorite book, or a professional seeking research papers, the option to download Chemical Basis Of Genetics Interpreting Diagrams has opened up a world of possibilities. Downloading Chemical Basis Of Genetics Interpreting Diagrams provides numerous advantages over physical copies of books and documents. Firstly, it is incredibly convenient. Gone are the days of carrying around heavy textbooks or bulky folders filled with papers. With the click of a button, you can gain immediate access to valuable resources on any device. This convenience allows for efficient studying, researching, and reading on the go. Moreover, the cost-effective nature of downloading Chemical Basis Of Genetics Interpreting Diagrams has democratized knowledge. Traditional books and academic journals can be expensive, making it difficult for individuals with limited financial resources to access information. By offering free PDF downloads, publishers and authors are enabling a wider audience to benefit from their work. This inclusivity promotes equal opportunities for learning and personal growth. There are numerous websites and platforms where individuals can download Chemical Basis Of Genetics Interpreting Diagrams. These websites range from academic databases offering research papers and journals to online libraries with an expansive collection of books from various genres. Many authors and publishers also upload their work to specific websites, granting readers access to their content without any charge. These platforms not only provide access to existing literature but also serve as an excellent platform for undiscovered authors to share their work with the world. However, it is essential to be cautious while downloading Chemical Basis Of Genetics Interpreting Diagrams. Some websites may offer pirated or illegally obtained copies of copyrighted material. Engaging in such activities not only violates copyright laws but also undermines the efforts of authors, publishers, and researchers. To ensure ethical downloading, it is advisable to utilize reputable websites that prioritize the legal distribution of content. When downloading Chemical Basis Of Genetics Interpreting Diagrams, users should also consider the potential security risks associated with online platforms. Malicious actors may exploit vulnerabilities in unprotected websites to distribute malware or steal personal information. To protect themselves, individuals should ensure their devices have reliable antivirus software installed and validate the legitimacy of the websites they are downloading from. In conclusion, the ability to download

Chemical Basis Of Genetics Interpreting Diagrams has transformed the way we access information. With the convenience, cost-effectiveness, and accessibility it offers, free PDF downloads have become a popular choice for students, researchers, and book lovers worldwide. However, it is crucial to engage in ethical downloading practices and prioritize personal security when utilizing online platforms. By doing so, individuals can make the most of the vast array of free PDF resources available and embark on a journey of continuous learning and intellectual growth.

FAQs About Chemical Basis Of Genetics Interpreting Diagrams Books

What is a Chemical Basis Of Genetics Interpreting Diagrams PDF? A PDF (Portable Document Format) is a file format developed by Adobe that preserves the layout and formatting of a document, regardless of the software, hardware, or operating system used to view or print it. **How do I create a Chemical Basis Of Genetics Interpreting Diagrams PDF?** There are several ways to create a PDF: Use software like Adobe Acrobat, Microsoft Word, or Google Docs, which often have built-in PDF creation tools. Print to PDF: Many applications and operating systems have a "Print to PDF" option that allows you to save a document as a PDF file instead of printing it on paper. Online converters: There are various online tools that can convert different file types to PDF. **How do I edit a Chemical Basis Of Genetics Interpreting Diagrams PDF?** Editing a PDF can be done with software like Adobe Acrobat, which allows direct editing of text, images, and other elements within the PDF. Some free tools, like PDFescape or Smallpdf, also offer basic editing capabilities. **How do I convert a Chemical Basis Of Genetics Interpreting Diagrams PDF to another file format?** There are multiple ways to convert a PDF to another format: Use online converters like Smallpdf, Zamzar, or Adobe Acrobat's export feature to convert PDFs to formats like Word, Excel, JPEG, etc. Software like Adobe Acrobat, Microsoft Word, or other PDF editors may have options to export or save PDFs in different formats. **How do I password-protect a Chemical Basis Of Genetics Interpreting Diagrams PDF?** Most PDF editing software allows you to add password protection. In Adobe Acrobat, for instance, you can go to "File" -> "Properties" -> "Security" to set a password to restrict access or editing capabilities. Are there any free alternatives to Adobe Acrobat for working with PDFs? Yes, there are many free alternatives for working with PDFs, such as: LibreOffice: Offers PDF editing features. PDFsam: Allows splitting, merging, and editing PDFs. Foxit Reader: Provides basic PDF viewing and editing capabilities. How do I compress a PDF file? You can use online tools like Smallpdf, ILovePDF, or desktop software like Adobe Acrobat to compress PDF files without significant quality loss. Compression reduces the file size, making it easier to share and download. Can I fill out forms in a PDF file? Yes, most PDF viewers/editors like Adobe Acrobat, Preview (on Mac), or various online tools allow you to fill out forms in PDF files by selecting text fields and entering information. Are there any restrictions when working with PDFs? Some PDFs might have restrictions set by their creator,

such as password protection, editing restrictions, or print restrictions. Breaking these restrictions might require specific software or tools, which may or may not be legal depending on the circumstances and local laws.

Find Chemical Basis Of Genetics Interpreting Diagrams :

briggs and stratton 16 hp service manual

broderies dassise nouvelle edition revue

briggs and stratton lc40 manual

brilliant creatures picador books english edition

~~briggs and stratton 4 hp manual~~

briggs and stratton polar force engine manual

british seagull outboard operators manual

briggs and stratton manual model 28n707

brisket mop sauce recipe

briggs and stratton parts qld

briggs and stratton powerbuilt manual

~~briggs and stratton 12h800 repair manual~~

brigitte et la perle cacheacutee

briggs and stratton ohv repair manual

~~briggs and stratton model 28707 manual~~

Chemical Basis Of Genetics Interpreting Diagrams :

downloadable free pdfs exploring science 6 unit 1 worksheet pdf - Apr 30 2023

web sep 29 2023 exploring science 6 unit 1 worksheet pdf is available in our book collection an online access to it is set as public so you can get it instantly our book

exploring science 6 unit 1 worksheet orientation sutd edu - Apr 18 2022

web exploring science 6 unit 1 worksheet exploring science 6 unit 1 worksheet exploring science how science works 7 worksheets by classzone science spot s kid zone

exploring science 6 unit 1 worksheet orientation sutd edu sg - Mar 18 2022

web exploring science 6 unit 1 worksheet teacher resources homestead may 11th 2018 ontario science curriculum has lesson

plans experiments and activities on 6 and 8 on

[exploring science 6 unit 1 worksheet pdf isandjules com](#) - Feb 26 2023

web the declaration as capably as perspicacity of this exploring science 6 unit 1 worksheet pdf can be taken as skillfully as picked to act learn to explore 3 18 19 no author

exploring science 6 unit 1 worksheet pdf uniport edu - Nov 13 2021

web may 6 2023 exploring science 6 unit 1 worksheet 3 6 downloaded from uniport edu ng on may 6 2023 by guest and with technology providing a one semester introduction to

[exploring science 6 unit 1 worksheet orientation sutd edu sg](#) - Aug 03 2023

web exploring science 6 unit 1 worksheet may 13th 2018 writing frame for questions from exploring science 9 unit 9c plants and photosynthesis the beginning of each answer

exploring science 6 unit 1 worksheet orientation sutd edu sg - Oct 05 2023

web exploring science 6 unit 1 worksheet exploring science 6 unit 1 worksheet lab 3 antibiotics 7b science labs renaissance amp writing outline grade 8 social studies

[exploring science 6 unit 1 worksheet test2 rmets org](#) - Feb 14 2022

web exploring science 6 unit 1 worksheet given to reduce the quantity of writing expected of the student resources for educators nsa gov may 12th 2018 nsa established various

[unit 6 the water cycle worksheet 1 worksheet live worksheets](#) - Jul 02 2023

web english en 1786338 11 01 2022 country code th country thailand school subject science 1061951 main content the water cycle 1988689 unit 6 the water cycle

exploring science 6 unit 1 worksheet videos bookbrush - Dec 27 2022

web 2 exploring science 6 unit 1 worksheet 2022 05 20 unit 2 technology and economic development unit 3 modern developments in science and technology i unit 4 modern

[exploring science 6 unit 1 worksheet](#) - Jun 20 2022

web 1 exploring science 6 unit 1 worksheet yeah reviewing a ebook exploring science 6 unit 1 worksheet could be credited with your near friends listings this is just one of the

exploring science 6 unit 1 worksheet copy uniport edu - Aug 23 2022

web oct 5 2023 exploring science 6 unit 1 worksheet and numerous book collections from fictions to scientific research in any way along with them is this exploring science 6

[11 16 science pearson](#) - Jun 01 2023

web ks3 and ks4 pages 6 7 the best preparation for edexcel gcse from the start of ks3 our popular ks3 course exploring

science gives your students the best start in science

exploring science 6 unit 1 worksheet orientation sutd edu - May 20 2022

web exploring science 6 unit 1 worksheet a lesson plans page lesson plan lesson idea thematic unit or activity these are the worksheets homework sheets that go with the

exploring science 6 unit 1 worksheet copy analytics mirowin - Mar 30 2023

web exploring science 6 unit 1 worksheet 1 exploring science 6 unit 1 worksheet pre k your way level 2 black and white version exploring science science grade 6

exploring science 6 unit 1 worksheet pdf uniport edu - Sep 23 2022

web sep 30 2023 exploring science 6 unit 1 worksheet when somebody should go to the book stores search start by shop shelf by shelf it is essentially problematic this is why

science primary 1 unit test 6 worksheet live worksheets - Jul 22 2022

web feb 23 2022 this test is base from the book of inside out science primary 1 book chapter 6 about rocks liveworksheets transforms your traditional printable

exploring science 6 unit 1 worksheet home rightster com - Dec 15 2021

web exploring science 6 unit 1 worksheet exploring science 6 unit 1 worksheet school express 19000 free worksheets create your own exploring science 9 unit 9c

exploring science 6 unit 1 worksheet helpdesk bricksave - Nov 25 2022

web exploring science 6 unit 1 worksheet 3 3 teacher trainers science curriculum specialists and advocates of hands on science teaching and it will be of interest to

55 best sixth grade science experiments projects and - Jan 28 2023

web jan 12 2023 55 sixth grade science experiments and activities that will wow your students balloon rockets naked eggs and apple wrecking balls so many hands on

exploring science 6 unit 1 worksheet download only - Oct 25 2022

web exploring science 6 unit 1 worksheet exploring science 6 unit 1 worksheet 2 downloaded from oldcove com on 2020 02 10 by guest index to media and

science explorer grade 6 pearson education - Sep 04 2023

web about the natural world the section also describes the branches of science introduction page 10 1 what is science science is a way of learning about the natural world and

exploring science 6 unit 1 worksheet copy uniport edu - Jan 16 2022

web may 8 2023 exploring science 6 unit 1 worksheet is available in our book collection an online access to it is set as

public so you can download it instantly our book servers

[becoming me a new adult contemporary novel the im](#) - Nov 25 2022

web 2 becoming me a new adult contemporary novel the im 2021 12 02 becoming me a new adult contemporary novel the im downloaded from helpdesk bricksave com by guest jakob davies becoming me the journey of self acceptance routledge adult isn t a noun it s a verb just because you don t feel like an adult doesn t mean you can t

becoming me a new adult contemporary novel the - Mar 30 2023

web becoming me a new adult contemporary novel the imagination series book 1 ebook stallings staci amazon in kindle store

adult contemporary fiction books goodreads - Aug 23 2022

web casey mcquiston goodreads author shelved 5 times as adult contemporary fiction avg rating 4 11 877 868 ratings

published 2019 want to read rate this book 1 of 5 stars 2 of 5 stars 3 of 5 stars 4 of 5 stars 5 of 5 stars daisy jones the six hardcover by

becoming me a new adult contemporary novel the - Dec 27 2022

web is there something greater than we know can we through the talents god has given us tap into a well spring our mortal senses do not see if so how do we encourage each other to find that deeper something or do we rationalize each other out of even searching for it

[becoming me a new adult contemporary novel the im full pdf](#) - Oct 25 2022

web 2 becoming me a new adult contemporary novel the im 2021 12 22 young adulthood in how to raise an adult julie lythcott haims draws on research on conversations with admissions officers educators and employers and on her own insights as a

becoming me a new adult contemporary novel the imagination series - Aug 03 2023

web jul 6 2018 becoming me a new adult contemporary novel the imagination series book 1 kindle edition by staci stallings author format kindle edition 4 4 327 ratings book 1 of 12 the imagination series see all formats and editions is

[amazon com customer reviews becoming me a new adult contemporary](#) - Jan 28 2023

web find helpful customer reviews and review ratings for becoming me a new adult contemporary novel the imagination series book 1 at amazon com read honest and unbiased product reviews from our users

becoming me a new adult contemporary novel the im pdf book - Jun 20 2022

web jun 15 2023 you could purchase lead becoming me a new adult contemporary novel the im pdf or get it as soon as feasible you could speedily download this becoming me a new adult contemporary novel the im pdf after getting deal so taking into account you require the ebook swiftly you can straight acquire it its so agreed easy and suitably

becoming me a new adult contemporary novel the imagination series - Oct 05 2023

web jul 6 2018 becoming me a new adult contemporary novel the imagination series book 1 kindle edition by staci stallings author format kindle edition 131 ratings book 1 of 12 the imagination series see all formats and editions

[free pdf download becoming me a new adult contemporary novel the im](#) - Feb 26 2023

web becoming me a new adult contemporary novel the im literature in contemporary media culture apr 18 2020 how does contemporary literature respond to the digitalized media culture in which it takes part and how do we study literature in order to shed light on these responses under the subsections technology

becoming me a new adult contemporary novel the im pdf - May 20 2022

web mar 16 2023 this becoming me a new adult contemporary novel the im pdf as one of the most enthusiastic sellers here will completely be among the best options to review title

[becoming me a new adult contemporary novel the im](#) - Mar 18 2022

web feb 25 2023 if you ally craving such a referred becoming me a new adult contemporary novel the im books that will find the money for you worth acquire the extremely best seller from us currently from several preferred authors

[becoming me a new adult contemporary novel the im pdf](#) - Jul 22 2022

web apr 6 2023 becoming me a new adult contemporary novel the im pdf as recognized adventure as skillfully as experience about lesson amusement as without difficulty as referred becoming me a new adult contemporary novel the im pdf books that will provide you worth get

[becoming me a new adult contemporary novel the im](#) - Sep 23 2022

web becoming me a new adult contemporary novel the im the child in his family becoming adapted for young readers shatter me becoming readings in the shed if he had been with me tell me three things brooding ya hero becoming me is it you me or adult a d d this song will save your life official record of the debates

becoming me a new adult contemporary novel by staci stallings - Apr 30 2023

web rated 4 5 5 stars becoming me a new adult contemporary novel is tagged as young adult christian new adult

contemporary it is the 1st book in the the imagination series blurb is there something greater than we know can we through the talents god has given us tap into a well spring our mortal senses do not see

[becoming me a new adult contemporary novel the](#) - Jul 02 2023

web jul 6 2018 becoming me a new adult contemporary novel the imagination series book 1 kindle edition by staci stallings author format kindle edition 141 ratings book 1 of 12 the imagination series see all formats and editions kindle edition 0 00 this title and over 1 million more are available with kindle unlimited 2 18 to buy

becoming me a new adult contemporary novel the im - Feb 14 2022

web becoming me a new adult contemporary novel the im 3 3 now why we need the church to become more like jesus traces

this departure from biblical christianity through recent decades of popular evangelical trends and reminds us that faith centered on community mission and the story line of scripture remains the key to the spiritual

[becoming me a new adult contemporary novel the](#) - Jun 01 2023

web becoming me a new adult p 1 becoming me a new adult contemporary novel the imagination series book 1 page 1 select voice brian uk emma uk amy uk eric us ivy us joey us salli us justin us jennifer us kimberly us

becoming me a new adult contemporary novel the - Sep 04 2023

web becoming me a new adult contemporary novel the imagination series book 1 kindle edition by staci stallings author format kindle edition 141 ratings book 1 of 12 the imagination series see all formats and editions kindle 0 00 this title and over 1 million more available with kindle unlimited 4 11 to buy

becoming me a new adult contemporary novel the im pdf copy - Apr 18 2022

web enter the realm of becoming me a new adult contemporary novel the im pdf a mesmerizing literary masterpiece penned by way of a distinguished author guiding readers on a profound journey to unravel the secrets and potential

bordeaux mon amour eine liebe zwischen wehrmacht und - Dec 04 2022

web click to read more about bordeaux mon amour eine liebe zwischen wehrmacht und résistance by erich schaaque librarything is a cataloging and social networking site for

[bordeaux mon amour eine liebe zwischen wehrmacht und](#) - Jun 10 2023

web bordeaux mon amour eine liebe zwischen wehrmacht und résistance worldcat org

bordeaux mon amour eine liebe zwischen wehrmacht und - Apr 08 2023

web bordeaux mon amour eine liebe zwischen wehrmacht und résistance german edition ebook schaaque erich schaaque alinda schaaque erich amazon com au kindle

bordeaux mon amour eine liebe zwischen resistance - May 29 2022

web bordeaux mon amour eine liebe zwischen resistance recognizing the habit ways to acquire this book bordeaux mon amour eine liebe zwischen resistance is

bordeaux mon amour eine liebe zwischen wehrmacht und - Aug 12 2023

web bordeaux mon amour eine liebe zwischen wehrmacht und résistance amazon sg books

bordeaux mon amour eine liebe zwischen resistance - Jul 31 2022

web aug 7 2023 whispering the techniques of language an mental journey through bordeaux mon amour eine liebe zwischen resistance in a digitally driven world

[bordeaux mon amour eine liebe zwischen résistance und](#) - Jan 05 2023

web buy bordeaux mon amour eine liebe zwischen résistance und wehrmacht by schaaque erich online on amazon ae at best

prices fast and free shipping free returns

[bordeaux mon amour eine liebe zwischen wehrmacht und](#) - Sep 13 2023

web bordeaux mon amour eine liebe zwischen wehrmacht und résistance schaaque erich isbn 9783471350485 kostenloser versand für alle bücher mit versand und

[bordeaux mon amour eine liebe zwischen résistance und](#) - Mar 07 2023

web amazon in buy bordeaux mon amour eine liebe zwischen résistance und wehrmacht book online at best prices in india on amazon in read bordeaux mon

[bordeaux mon amour eine liebe zwischen resistance jean](#) - Mar 27 2022

web jun 28 2023 right here we have countless ebook bordeaux mon amour eine liebe zwischen resistance and collections to check out we additionally give variant types

bordeaux mon amour eine liebe zwischen resistance full pdf - Apr 27 2022

web 2 bordeaux mon amour eine liebe zwischen resistance 2023 07 15 stationen eines künstlerlebens ein leuchtturm für den könig le phare de cordouan sand satt mit

bordeaux mon amour eine liebe zwischen résistance und - Feb 06 2023

web jul 3 2014 bordeaux mon amour eine liebe zwischen résistance und wehrmacht amazon co uk schaaque erich 9781500412081 books

[bordeaux mon amour eine liebe zwischen résistance und](#) - Oct 14 2023

web bordeaux mon amour eine liebe zwischen résistance und wehrmacht schaaque erich amazon sg books

bordeaux mon amoueine liebe zwischen wehrmacht und ré - Jul 11 2023

web jan 1 2010 4 00 6 ratings1 review der junge deutsche feldwebel heinz stahlschmidt kommt mit der wehrmacht als besatzer nach bordeaux aber schon bald verliebt er sich

bordeaux mon amour eine liebe zwischen résistance und - May 09 2023

web bordeaux mon amour eine liebe zwischen résistance und wehrmacht schaaque erich on amazon com au free shipping on eligible orders bordeaux mon amour

paperback july 3 2014 amazon com - Nov 03 2022

web jul 3 2014 select the department you want to search in

[bordeaux mon amour eine liebe zwischen résistance und](#) - Oct 02 2022

web jul 3 2014 bordeaux mon amour eine liebe zwischen résistance und wehrmacht schaaque erich amazon de books

bordeaux mon amour eine liebe zwischen résistance und - Jun 29 2022

web june 1st 2020 bordeaux mon amour eine liebe zwischen wehrmacht und résistance schaaque erich isbn 9783471350485

kostenloser versand für alle bücher mit versand und

bordeaux mon amour eine liebe zwischen wehrmacht und - Sep 01 2022

web bordeaux mon amour eine liebe zwischen wehrmacht und résistance schaake erich amazon de books