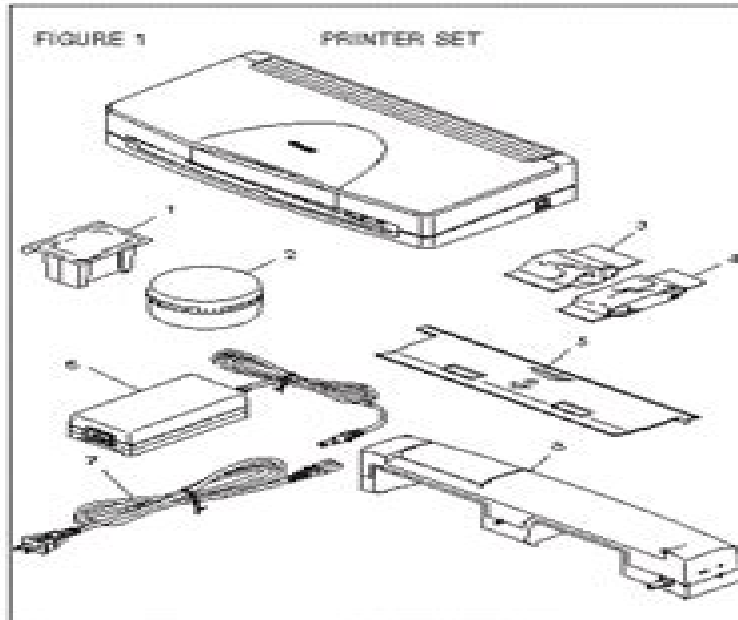
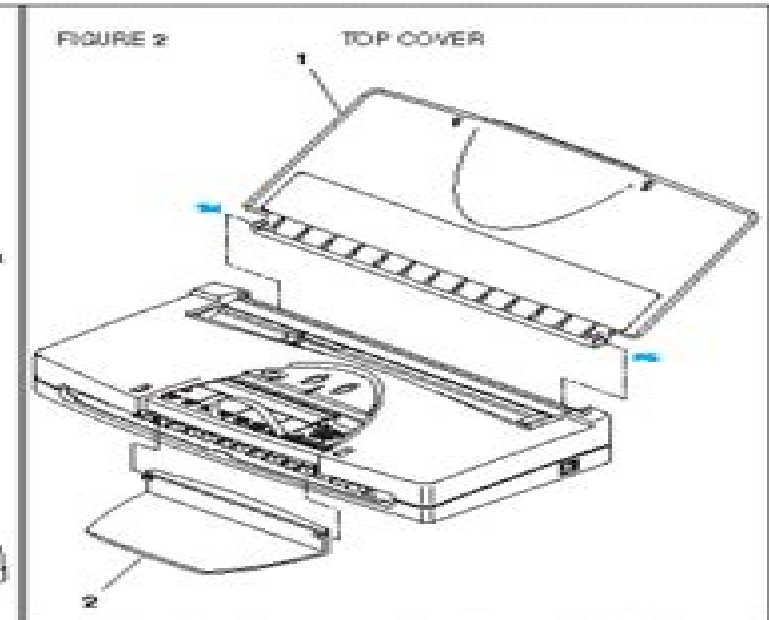


Canon



NUM.	PART #	DESCRIPTION
1 - 1	NPN	BLACK BJ CARTRIDGE PACK
	NPN	COLOR BJ CARTRIDGE PACK
	NPN	PHOTO BJ CARTRIDGE PACK
2	C70-2470-4 12	CARTRIDGE CONTAINER(SB-10)
3	NPN	COLOR INK CARTRIDGE FOR COLOR BJ CARTRIDGE
	NPN	COLOR INK CARTRIDGE FOR PHOTO BJ CARTRIDGE
4	NPN	BLACK INK CARTRIDGE FOR BLACK BJ CARTRIDGE
	NPN	BLACK INK CARTRIDGE FOR COLOR BJ CARTRIDGE
	NPN	BLACK INK CARTRIDGE FOR PHOTO BJ CARTRIDGE
5	QF5-0255-000	PICK-UP SUPPORT ASS'Y
6	GH3-3768-000	AC ADAPTER: 100V-240V 50/60HZ OUTPUT 13VDC, 1.5A
7	WT3-5079-000	CORD, POWER 220V-240V
	WT3-5093-000	CORD, POWER 100V-120V
8	C70-2450-4 14	PORTABLE KIT (W/O BATTERY)
9	C70-2450-4 12	BATTERY



NUM.	PART #	DESCRIPTION
2 - 1	QB1-4453-000	COVER, TOP
	QB1-4449-000	COVER, INNER FOR BJC-85

Canon Bjc 85 Manual

Mike Jess



Canon Bjc 85 Manual:

Eventually, you will unconditionally discover a supplementary experience and realization by spending more cash. still when? complete you resign yourself to that you require to get those every needs next having significantly cash? Why dont you try to acquire something basic in the beginning? Thats something that will guide you to comprehend even more as regards the globe, experience, some places, bearing in mind history, amusement, and a lot more?

It is your totally own get older to achievement reviewing habit. in the midst of guides you could enjoy now is **Canon Bjc 85 Manual** below.

https://yousky7.com/public/scholarship/Download_PDFS/briggs%20and%20stratton%20500%20158cc%20manual.pdf

Table of Contents Canon Bjc 85 Manual

1. Understanding the eBook Canon Bjc 85 Manual
 - The Rise of Digital Reading Canon Bjc 85 Manual
 - Advantages of eBooks Over Traditional Books
2. Identifying Canon Bjc 85 Manual
 - Exploring Different Genres
 - Considering Fiction vs. Non-Fiction
 - Determining Your Reading Goals
3. Choosing the Right eBook Platform
 - Popular eBook Platforms
 - Features to Look for in an Canon Bjc 85 Manual
 - User-Friendly Interface
4. Exploring eBook Recommendations from Canon Bjc 85 Manual
 - Personalized Recommendations
 - Canon Bjc 85 Manual User Reviews and Ratings
 - Canon Bjc 85 Manual and Bestseller Lists
5. Accessing Canon Bjc 85 Manual Free and Paid eBooks

- Canon Bjc 85 Manual Public Domain eBooks
 - Canon Bjc 85 Manual eBook Subscription Services
 - Canon Bjc 85 Manual Budget-Friendly Options
6. Navigating Canon Bjc 85 Manual eBook Formats
 - ePub, PDF, MOBI, and More
 - Canon Bjc 85 Manual Compatibility with Devices
 - Canon Bjc 85 Manual Enhanced eBook Features
 7. Enhancing Your Reading Experience
 - Adjustable Fonts and Text Sizes of Canon Bjc 85 Manual
 - Highlighting and Note-Taking Canon Bjc 85 Manual
 - Interactive Elements Canon Bjc 85 Manual
 8. Staying Engaged with Canon Bjc 85 Manual
 - Joining Online Reading Communities
 - Participating in Virtual Book Clubs
 - Following Authors and Publishers Canon Bjc 85 Manual
 9. Balancing eBooks and Physical Books Canon Bjc 85 Manual
 - Benefits of a Digital Library
 - Creating a Diverse Reading Collection Canon Bjc 85 Manual
 10. Overcoming Reading Challenges
 - Dealing with Digital Eye Strain
 - Minimizing Distractions
 - Managing Screen Time
 11. Cultivating a Reading Routine Canon Bjc 85 Manual
 - Setting Reading Goals Canon Bjc 85 Manual
 - Carving Out Dedicated Reading Time
 12. Sourcing Reliable Information of Canon Bjc 85 Manual
 - Fact-Checking eBook Content of Canon Bjc 85 Manual
 - Distinguishing Credible Sources
 13. Promoting Lifelong Learning
 - Utilizing eBooks for Skill Development

- Exploring Educational eBooks
- 14. Embracing eBook Trends
 - Integration of Multimedia Elements
 - Interactive and Gamified eBooks

Canon Bjc 85 Manual Introduction

In today's digital age, the availability of Canon Bjc 85 Manual books and manuals for download has revolutionized the way we access information. Gone are the days of physically flipping through pages and carrying heavy textbooks or manuals. With just a few clicks, we can now access a wealth of knowledge from the comfort of our own homes or on the go. This article will explore the advantages of Canon Bjc 85 Manual books and manuals for download, along with some popular platforms that offer these resources. One of the significant advantages of Canon Bjc 85 Manual books and manuals for download is the cost-saving aspect. Traditional books and manuals can be costly, especially if you need to purchase several of them for educational or professional purposes. By accessing Canon Bjc 85 Manual versions, you eliminate the need to spend money on physical copies. This not only saves you money but also reduces the environmental impact associated with book production and transportation. Furthermore, Canon Bjc 85 Manual books and manuals for download are incredibly convenient. With just a computer or smartphone and an internet connection, you can access a vast library of resources on any subject imaginable. Whether you're a student looking for textbooks, a professional seeking industry-specific manuals, or someone interested in self-improvement, these digital resources provide an efficient and accessible means of acquiring knowledge. Moreover, PDF books and manuals offer a range of benefits compared to other digital formats. PDF files are designed to retain their formatting regardless of the device used to open them. This ensures that the content appears exactly as intended by the author, with no loss of formatting or missing graphics. Additionally, PDF files can be easily annotated, bookmarked, and searched for specific terms, making them highly practical for studying or referencing. When it comes to accessing Canon Bjc 85 Manual books and manuals, several platforms offer an extensive collection of resources. One such platform is Project Gutenberg, a nonprofit organization that provides over 60,000 free eBooks. These books are primarily in the public domain, meaning they can be freely distributed and downloaded. Project Gutenberg offers a wide range of classic literature, making it an excellent resource for literature enthusiasts. Another popular platform for Canon Bjc 85 Manual books and manuals is Open Library. Open Library is an initiative of the Internet Archive, a non-profit organization dedicated to digitizing cultural artifacts and making them accessible to the public. Open Library hosts millions of books, including both public domain works and contemporary titles. It also allows users to borrow digital copies of certain books for a limited period, similar to a library lending system. Additionally, many universities and educational institutions have their own digital libraries that provide free

access to PDF books and manuals. These libraries often offer academic texts, research papers, and technical manuals, making them invaluable resources for students and researchers. Some notable examples include MIT OpenCourseWare, which offers free access to course materials from the Massachusetts Institute of Technology, and the Digital Public Library of America, which provides a vast collection of digitized books and historical documents. In conclusion, Canon Bjc 85 Manual books and manuals for download have transformed the way we access information. They provide a cost-effective and convenient means of acquiring knowledge, offering the ability to access a vast library of resources at our fingertips. With platforms like Project Gutenberg, Open Library, and various digital libraries offered by educational institutions, we have access to an ever-expanding collection of books and manuals. Whether for educational, professional, or personal purposes, these digital resources serve as valuable tools for continuous learning and self-improvement. So why not take advantage of the vast world of Canon Bjc 85 Manual books and manuals for download and embark on your journey of knowledge?

FAQs About Canon Bjc 85 Manual Books

How do I know which eBook platform is the best for me? Finding the best eBook platform depends on your reading preferences and device compatibility. Research different platforms, read user reviews, and explore their features before making a choice. Are free eBooks of good quality? Yes, many reputable platforms offer high-quality free eBooks, including classics and public domain works. However, make sure to verify the source to ensure the eBook credibility. Can I read eBooks without an eReader? Absolutely! Most eBook platforms offer webbased readers or mobile apps that allow you to read eBooks on your computer, tablet, or smartphone. How do I avoid digital eye strain while reading eBooks? To prevent digital eye strain, take regular breaks, adjust the font size and background color, and ensure proper lighting while reading eBooks. What the advantage of interactive eBooks? Interactive eBooks incorporate multimedia elements, quizzes, and activities, enhancing the reader engagement and providing a more immersive learning experience. Canon Bjc 85 Manual is one of the best book in our library for free trial. We provide copy of Canon Bjc 85 Manual in digital format, so the resources that you find are reliable. There are also many Ebooks of related with Canon Bjc 85 Manual. Where to download Canon Bjc 85 Manual online for free? Are you looking for Canon Bjc 85 Manual PDF? This is definitely going to save you time and cash in something you should think about. If you trying to find then search around for online. Without a doubt there are numerous these available and many of them have the freedom. However without doubt you receive whatever you purchase. An alternate way to get ideas is always to check another Canon Bjc 85 Manual. This method for see exactly what may be included and adopt these ideas to your book. This site will almost certainly help you save time and effort, money and stress. If you are looking for free books then you really should consider finding to assist you try this. Several of Canon Bjc 85 Manual are for

sale to free while some are payable. If you are not sure if the books you would like to download work for use along with your computer, it is possible to download free trials. The free guides make it easy for someone to have free access to an online library for downloading books to your device. You can get free downloads on a free trial for lots of book categories. Our library is the biggest of these that have literally hundreds of thousands of different product categories represented. You will also see that there are specific sites catered to different product types or categories, brands or niches related with Canon Bjc 85 Manual. So depending on what exactly you are searching, you will be able to choose e-books to suit your own need. Need to access completely for Campbell Biology Seventh Edition book? Access Ebook without any digging. And by having access to our ebook online or by storing it on your computer, you have convenient answers with Canon Bjc 85 Manual. To get started finding Canon Bjc 85 Manual, you are right to find our website which has a comprehensive collection of books online. Our library is the biggest of these that have literally hundreds of thousands of different products represented. You will also see that there are specific sites catered to different categories or niches related with Canon Bjc 85 Manual. So depending on what exactly you are searching, you will be able to choose an ebook to suit your own need. Thank you for reading Canon Bjc 85 Manual. Maybe you have known that, people have searched numerous times for their favorite readings like this Canon Bjc 85 Manual, but end up in harmful downloads. Rather than reading a good book with a cup of coffee in the afternoon, instead they juggle with some harmful bugs inside their laptop. Canon Bjc 85 Manual is available in our book collection and online access to it is set as public so you can download it instantly. Our digital library spans in multiple locations, allowing you to get the most less latency time to download any of our books like this one. Merely said, Canon Bjc 85 Manual is universally compatible with any devices to read.

Find Canon Bjc 85 Manual :

briggs and stratton 500 158cc manual

broken the cavanaugh brothers

[broken pieces a library life 1941 1982 michael gorman](#)

[briggs and stratton genpower 100 manual](#)

briggs repair manual 402700

british council igcse grade boundary

[briggs and stratton repair manual 331877](#)

[briggs and stratton parts head gasket](#)

broderson ic80 parts manual

briggs and stratton 450 148cc manual

[briggs and stratton repair service manual all engines repair](#)

[bright apartment criteria and applications](#)

[broccoli ring recipe](#)

~~[briggs and stratton manual for quantum engine](#)~~

[briggs and stratton 407777 manual](#)

Canon Bjc 85 Manual :

performance operations cima study text copy uniport edu - Jul 09 2022

web 2014 01 01 bpp learning media provides the widest range of study materials of any cima publisher our comprehensive printed materials highlight the areas to focus on for your

cima official learning system performance operations - Dec 14 2022

web performance operations study text dec 10 2020 cima official exam practice kit performance operations nov 28 2019 helping you prepare with

cima official study text performance operations pdf uniport edu - Dec 02 2021

web jun 14 2023 cima official study text performance operations 2 6 downloaded from uniport edu ng on june 14 2023 by guest focus on for your exams and our e learning

[cima p1 performance operations](#) - Mar 17 2023

web p1 cima official study text paper 2011 12 performance operations paperback by cima category common subject tk 1 305

□□□ □ □ □ □□ □□ □ □ □ □ □□ □ □

cima paper p1 performance operations study text - May 19 2023

web cima study materials to help you pass your exams cima books revision cards exam kits with past exam papers plus online content straightforward resources always kept up to

p1 cima official study text paper 2011 12 performance - Feb 16 2023

web cima management accounting p1 study text get the full range of official cima management accounting study materials plus two mock exams and additional learning

cima p1 performance operations study text - Jun 20 2023

web x 803 16 7 6 pages 30 cm an icon used to represent a menu that can be toggled by interacting with this icon

cima official study text performance operations pdf - Jan 03 2022

web apr 18 2023 cima official study text performance operations 2 8 downloaded from uniport edu ng on april 18 2023 by guest written by the cima examiners markers and

[cima official study text performance operations luisa](#) - Apr 06 2022

web operations study text 2013 performance operations study text 2013 cima study cima official learning system relevant for computer download or read online

p1 performance operations cima study text book - Nov 13 2022

web cima official study text performance operations 2012 2013 editio paper p1 p1 performance operations study text by kaplan publishi and a great selection of

cima official study text performance operations pdf uniport edu - May 07 2022

web cima official learning system performance operations robert scarlett 2009 08 24 cima official learning systems are the only textbooks recommended by cima as core

cima management accounting p1 study text kaplan publishing - Jan 15 2023

web aug 24 2009 cima official learning systems are the only textbooks recommended by cima as core reading written by the cima examiners markers and lecturers they

[cima p1 performance operations study text google books](#) - Aug 22 2023

web aug 1 2012 paper p1 looks at how information is obtained evaluated and used to control and predict business performance the syllabus is split into the following five areas

cima official study text performance operations copy uniport edu - Nov 01 2021

web cima official study text performance operations 1 7 downloaded from uniport edu ng on august 29 2023 by guest cima official study text performance operations yeah

[cima p1 performance operations study text 2013 pdf pdf](#) - Jul 21 2023

web cima p1 performance operations study text 2013 free pdf download 697 pages year 2013 cima read online pdf room

cima official study text performance operations liululu - Mar 05 2022

web jun 26 2023 cima official study text performance operations 1 12 downloaded from uniport edu ng on june 26 2023 by guest cima official study text performance

cima p1 performance operations study text kaplan publishing - Jun 08 2022

web jun 28 2023 cima official study text performance operations getting the books cima official study text performance operations now is not type of challenging means you

cima official study text performance operations - Sep 11 2022

web feb 24 2023 cima official study text performance operations yeah reviewing a ebook cima official study text performance operations could grow your near friends

[cima study materials kaplan publishing](#) - Apr 18 2023

web cima p1 performance operations contents hide 1 cima p1 performance operations 1 1 introduction 1 1 1 studying for the p1 exam 1 1 2 using the kaplan

cima performance operations study abebooks - Oct 12 2022

web cima official study text performance operations text and performance in contemporary british theatre nov 24 2021 text and performance in contemporary

cima official study text performance operations pdf - Feb 04 2022

web may 28 2023 we offer cima official study text performance operations and numerous ebook collections from fictions to scientific research in any way among them is this

cima official study text performance operations mike rogers - Aug 10 2022

web apr 9 2023 performance operations cima study text is available in our book collection an online access to it is set as public so you can download it instantly our book servers

cima official study text performance operations copy uniport edu - Sep 30 2021

building the internal audit function of the future mckinsey - Nov 10 2022

web feb 18 2021 the primary role of internal audit ia functions is to help decision makers protect organizational assets and reputations as well as to support operational sustainability functions that have come under increasing pressure over the past year with the covid 19 pandemic leading to a sharp rise in home based working asset risks have

internal audit a case study of impact and quality of an internal - Sep 20 2023

web may 12 2022 even though internal audit function iaf are an important player in internal control however there is little academic knowledge about their impact based on a single case study in a large financial institution this paper explores to what extent and how iaf affect internal controls furthermore it assesses whether iaf add value to the company

iso 9001 case studies asq - Mar 02 2022

web find more iso 9001 case studies read iso 9000 and iso 9001 case studies from asq learn more about the implementation of quality management systems from real life examples

student written case studies the benefits to the internal audit - Jul 06 2022

web mar 1 1994 student written case studies the benefits to the internal audit curriculum author mary brady greenawalt examines the usefulness of the case study method in the college classroom advocates the preparation of these cases from real life situations and their subsequent discussion

pdf relevance of internal audit a case study in - Feb 13 2023

web dec 7 2017 internal audit is emphasized too much in public ltd companies research on internal audit and its success

factors effects effectiveness has mainly focused on public limited company it
investigation factors affecting the effectiveness of internal auditors - Sep 08 2022

web study provides a wider prospect using perceptions of different groups in assessing the effectiveness of internal audit for example internal audit managers are included as interviewees this is while previous studies intended to use opinions of external auditors or chief audit managers on internal audit effectiveness measuring effectiveness

full article unleashing the potential of internal audits a review - Jun 17 2023

web apr 15 2021 research on internal audits of quality management systems is scarce and no clear study exists that could guide practitioners in improving the auditing practice and help researchers advance existing knowledge

internal audit in practice case studies national audit office - Aug 19 2023

web internal audit in practice a series of case studies produced in collaboration with the national audit office featuring public and private sector organisations 2 foreword the drive for greater efficiency in public spending and the more localised delivery of services is changing the focus of government

internal audit a case study of impact and quality of an internal - Apr 15 2023

web may 1 2022 this study based upon four belgian case studies provides insights on 1 what drives the audit committee to look for the support of the internal audit function and 2 what makes the internal

internal audit in practice case studies - May 16 2023

web apr 24 2013 the institute of internal auditors and the nao released a set of case studies illustrating some of the key principles of effective internal auditing taken from a range of public and private sector organisations including british telecom department for work and pensions edf etc jump to downloads

case study audit planning risk assessment 1 - Mar 14 2023

web case study step one from the information above and using the horizontal or cross cutting approach identify areas that you believe could be objects of audits in addition try to formulate the related policy and or operational objectives that are related to these areas

sample practice questions answers and explanations wiley - May 04 2022

web ries practice advisories assist internal auditors in applying the definition of internal auditing the code of ethics and the standards and promoting good practices practice advisories address internal auditing s approach methodologies and consideration but not detailed processes or procedures they include practices relating to

pdf internal auditing case study lei shi - Aug 07 2022

web this doctoral dissertation includes five related working papers that provide valuable contributions to the understanding of internal audit ia and its effectiveness paper 1 is a literature review that uses the perspective of new institutional theory as

a framework and acknowledges that its effectiveness is largely still viewed as a black
internal control handbook - Jun 05 2022

web analyze the structures and objectives of the internal control system and identify gaps and opportunities to improve it
part 3 case studies this section of the handbook presents real life cases illustrating how emerging market companies worked
with ifc to improve their internal control procedures the five cases are success stories of companies

chapter 7 risk based internal audit case studies - Dec 11 2022

web chapter 7 risk based internal audit case studies the following case studies give examples where an internal audit was
focused on ensuring resolution of a situation that put the organization at risk by focusing not simply on compliance to
documents but by looking to process performance cause effect and the sequence and
case studies in internal auditing jstor - Oct 09 2022

web case studies in internal auditing a j e child t o paraphrase the institute of internal auditor s statement of responsibilities
internal auditing is a practical technique designed to accomplish the following 1 ascertain the degree of reliability of ac
counting and statistical data developed within the organization 2

pdf internal audit effectiveness multiple case study research - Jan 12 2023

web feb 3 2017 internal audit effectiveness multiple case study research involving chief audit executives and senior
management edpacs doi authors rainer lenz johannes gutenber universität mainz gerrit

innovating internal audit accenture - Apr 03 2022

web a valuable difference meet the team related capabilities call for change the internal audit function is a requirement of
public companies registered with the new york stock exchange and is considered a best practice globally key responsibilities
are to assess risk identify fraud improve processes and promote policy compliance

sample practice questions answers and explanations wiley - Feb 01 2022

web 440 wiley ciaexcel exam review part 2 internal audit practice 3 the status of the internal auditing function should be free
from the impact of irresponsible policy changes by management the most effective way to ensure that freedom is to have
the internal auditing charter approved by both management and the board of directors correct

audit and assurance case study questions acca global - Jul 18 2023

web report is internal addressed to a partner covering proposed assurance service for existing audit client section 1 ethical
matters provision of non audit service impact on total fee from client competence to perform work specialised engagement
section 2 risk related matters high inherent risk figures prone to manipulation

home openmp - Dec 29 2022

web oct 2 2000 presents all the basic openmp constructs in fortran c and c emphasizes practical concepts to address the

concerns of real application developers

c parallel for loop in openmp stack overflow - Nov 15 2021

web nov 7 2023 to allow parallel execution loop iterations should be independent based on ideas from the openmp directive based programming model for multicore cpus the

[openmp introduction with installation guide geeksforgeeks](#) - Aug 25 2022

web this session introduces programmers to the basics of parallel programming openmp is a standard method of sharing work amongst threads within the same computer this has

the openmp common core making openmp simple again - Jul 04 2023

web nov 19 2019 how to become a parallel programmer by learning the twenty one essential components of openmp this book guides readers through the most essential elements

[parallel programming with openmp in c by samir huseynzade](#) - Jan 18 2022

web oct 31 2023 directives and pragmas at the heart of openmp are directives which give instructions to the compiler in c these are often preceded by pragma omp pragma

parallel programming openmp youtube - Feb 16 2022

web i m trying to parallelize a very simple for loop but this is my first attempt at using openmp in a long time i m getting baffled by the run times here is my code include vector

[introduction to parallel programming with openmp in c](#) - Nov 27 2022

web nov 1 2023 parallel memory architectures before getting deep into openmp let s revive the basic parallel memory architectures these are divided into three categories

install pnetcdf fortran libraries with openmp applications - Jul 12 2021

[how to achieve parallel programming in c programming](#) - Oct 15 2021

web 2 days ago i have downloaded a climate model which needs the pnetcdf fortran libraries as well as openmp i had already installed package libnetcdf fortran 4 5 3 gnu

creating a parallel program with openmp github pages - Feb 28 2023

web mar 19 2023 openmp is a widely used api for parallel programming in c it allows developers to write parallel code easily and efficiently by adding simple compiler

iwomp 2023 openmp - Sep 13 2021

reference guides openmp - Oct 07 2023

web the openmp api supports multi platform shared memory parallel programming in c c and fortran the openmp api defines a portable scalable model with a simple and flexible interface for developing parallel applications on platforms from the desktop to the

basic parallel programming with openmp google books - Apr 01 2023

web the basic format of openmp directive in c c is as follows pragma omp directive name clause clause in fortran the directives take one of the forms fixed forms omp

openmp application programming interface examples - Jul 24 2022

web jun 5 2007 openmp is a set of programming apis which include several compiler directives and a library of support functions it was first developed for use with fortran

parallel programming in openmp guide books acm digital - Aug 05 2023

web jan 1 2001 parallel computation of discrete orthogonal moment on block represented images using openmp international journal of parallel programming 49 3 440

parallel programming in openmp 1st edition elsevier - Sep 25 2022

web the focus of this 2 days course is on shared memory parallelization with openmp for multi core shared memory and ccnuma platforms this course teaches openmp starting

shared memory parallelization with openmp hlrs de - Jun 22 2022

web nov 7 2023 the essential guide for writing portable parallel programs for gpus using the openmp programming model today s computers are complex multi architecture

introduction to parallel programming using openmp github pages - May 02 2023

web this book provides the basic description of writing parallel programmes using the openmp language simple examples related to common problems faced in scientific applications

introduction to parallel programming using openmp github pages - May 22 2022

web dec 11 2019 in this video we look at the basics of parallel programming with openmp for code samples github com coffeebeforearchfor live content

begin parallel programming with openmp codeproject - Apr 20 2022

web oct 10 2021 this is an introduction and high level overview of openmp in c for parallel programming openmp is a quite simple tool to parallelize your program just add the

a hands on introduction to openmp - Oct 27 2022

web 1 introduction 2 thiscollectionofprogrammingexamplessupplementstheopenmpapiforsharedmemory 3

programming your gpu with openmp mit press - Mar 20 2022

web jul 21 2015 1 right now i am learning about parallel programming in c with openmp and now i have stumbled upon the following problem i have a simple for loop which i

[parallel programming in c with openmp stack overflow](#) - Dec 17 2021

web iwomp is the annual workshop dedicated to the promotion and advancement of all aspects of parallel programming with openmp it is the premier forum to present and discuss

1 1 introduction of openmp parallel programming - Jun 03 2023

web what is openmp the openmp application program interface openmp api is a collection of compiler directives library routines and environment variables that

[electronics free full text an evaluation of directive based](#) - Aug 13 2021

openmp hello world program geeksforgeeks - Jan 30 2023

web openmp programming model fork join parallelism master thread spawns a team of threads as needed parallelism added incrementally until performance goals are met i e

a hands on introduction to openmp iit kanpur - Sep 06 2023

web 5 what is openmp openmp open multi processing an api for developing multi threaded mt applications consists of a set of compiler directives and library routines for parallel