

STEP 3. Now ... check the torque of the steering gear mounting bolts (A & B) which should be torqued 80 to 90 pound feet.

STEP 4. Then ... check the steering gear support bracket bolts (C & D) for proper torque. Make certain they are tightened to 80-90 pound feet.

All the above torquing steps must be carried out each time you perform power steering adjustments ... because each of the items torqued has a definite bearing on the steering characteristics of the truck. With these torquing steps out of the way ... we can now get to work on checking out the steering system ... starting by determining whether there is hand wheel end play.

STEP 5. To check for hand wheel end play ... first place the steer wheels in a straight position. Then ... place your left hand on the steering column with your thumb just touching the hand wheel mounting base, as shown. Now ... turn the hand wheel, with the right hand, back and forth. Any up and down movement indicates:

(a) That the steering shaft thrust adjustment screw at the base of the steering shaft must be drawn up.

STEP 6. If the cap screws that secure both caps are loose, tighten them securely.

STEP 7. If there is still end play in the steering shaft, loosen the steering shaft thrust adjusting screw lockout ... and turn the adjusting screw in until end play is eliminated. Then ... tighten the adjusting screw lockout.



Fig. 9843

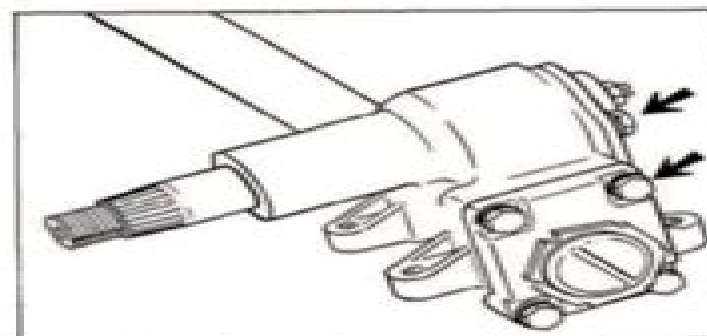


Fig. 9844

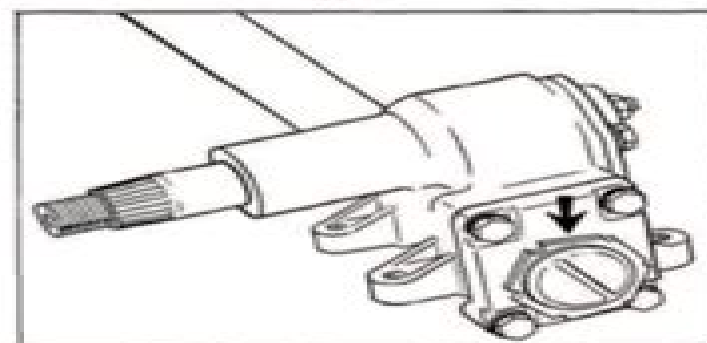


Fig. 9845

Clark C500 25 Manual

SJ Ball



Clark C500 25 Manual:

Fuel your quest for knowledge with Learn from is thought-provoking masterpiece, Explore **Clark C500 25 Manual** . This educational ebook, conveniently sized in PDF (*), is a gateway to personal growth and intellectual stimulation. Immerse yourself in the enriching content curated to cater to every eager mind. Download now and embark on a learning journey that promises to expand your horizons. .

https://yousky7.com/files/publication/HomePages/advanced_methods_for_top_side_hustles_tips.pdf

Table of Contents Clark C500 25 Manual

1. Understanding the eBook Clark C500 25 Manual
 - The Rise of Digital Reading Clark C500 25 Manual
 - Advantages of eBooks Over Traditional Books
2. Identifying Clark C500 25 Manual
 - Exploring Different Genres
 - Considering Fiction vs. Non-Fiction
 - Determining Your Reading Goals
3. Choosing the Right eBook Platform
 - Popular eBook Platforms
 - Features to Look for in an Clark C500 25 Manual
 - User-Friendly Interface
4. Exploring eBook Recommendations from Clark C500 25 Manual
 - Personalized Recommendations
 - Clark C500 25 Manual User Reviews and Ratings
 - Clark C500 25 Manual and Bestseller Lists
5. Accessing Clark C500 25 Manual Free and Paid eBooks
 - Clark C500 25 Manual Public Domain eBooks
 - Clark C500 25 Manual eBook Subscription Services
 - Clark C500 25 Manual Budget-Friendly Options

6. Navigating Clark C500 25 Manual eBook Formats
 - ePub, PDF, MOBI, and More
 - Clark C500 25 Manual Compatibility with Devices
 - Clark C500 25 Manual Enhanced eBook Features
7. Enhancing Your Reading Experience
 - Adjustable Fonts and Text Sizes of Clark C500 25 Manual
 - Highlighting and Note-Taking Clark C500 25 Manual
 - Interactive Elements Clark C500 25 Manual
8. Staying Engaged with Clark C500 25 Manual
 - Joining Online Reading Communities
 - Participating in Virtual Book Clubs
 - Following Authors and Publishers Clark C500 25 Manual
9. Balancing eBooks and Physical Books Clark C500 25 Manual
 - Benefits of a Digital Library
 - Creating a Diverse Reading Collection Clark C500 25 Manual
10. Overcoming Reading Challenges
 - Dealing with Digital Eye Strain
 - Minimizing Distractions
 - Managing Screen Time
11. Cultivating a Reading Routine Clark C500 25 Manual
 - Setting Reading Goals Clark C500 25 Manual
 - Carving Out Dedicated Reading Time
12. Sourcing Reliable Information of Clark C500 25 Manual
 - Fact-Checking eBook Content of Clark C500 25 Manual
 - Distinguishing Credible Sources
13. Promoting Lifelong Learning
 - Utilizing eBooks for Skill Development
 - Exploring Educational eBooks
14. Embracing eBook Trends
 - Integration of Multimedia Elements

- Interactive and Gamified eBooks

Clark C500 25 Manual Introduction

In today's digital age, the availability of Clark C500 25 Manual books and manuals for download has revolutionized the way we access information. Gone are the days of physically flipping through pages and carrying heavy textbooks or manuals. With just a few clicks, we can now access a wealth of knowledge from the comfort of our own homes or on the go. This article will explore the advantages of Clark C500 25 Manual books and manuals for download, along with some popular platforms that offer these resources. One of the significant advantages of Clark C500 25 Manual books and manuals for download is the cost-saving aspect. Traditional books and manuals can be costly, especially if you need to purchase several of them for educational or professional purposes. By accessing Clark C500 25 Manual versions, you eliminate the need to spend money on physical copies. This not only saves you money but also reduces the environmental impact associated with book production and transportation. Furthermore, Clark C500 25 Manual books and manuals for download are incredibly convenient. With just a computer or smartphone and an internet connection, you can access a vast library of resources on any subject imaginable. Whether you're a student looking for textbooks, a professional seeking industry-specific manuals, or someone interested in self-improvement, these digital resources provide an efficient and accessible means of acquiring knowledge. Moreover, PDF books and manuals offer a range of benefits compared to other digital formats. PDF files are designed to retain their formatting regardless of the device used to open them. This ensures that the content appears exactly as intended by the author, with no loss of formatting or missing graphics. Additionally, PDF files can be easily annotated, bookmarked, and searched for specific terms, making them highly practical for studying or referencing. When it comes to accessing Clark C500 25 Manual books and manuals, several platforms offer an extensive collection of resources. One such platform is Project Gutenberg, a nonprofit organization that provides over 60,000 free eBooks. These books are primarily in the public domain, meaning they can be freely distributed and downloaded. Project Gutenberg offers a wide range of classic literature, making it an excellent resource for literature enthusiasts. Another popular platform for Clark C500 25 Manual books and manuals is Open Library. Open Library is an initiative of the Internet Archive, a non-profit organization dedicated to digitizing cultural artifacts and making them accessible to the public. Open Library hosts millions of books, including both public domain works and contemporary titles. It also allows users to borrow digital copies of certain books for a limited period, similar to a library lending system. Additionally, many universities and educational institutions have their own digital libraries that provide free access to PDF books and manuals. These libraries often offer academic texts, research papers, and technical manuals, making them invaluable resources for students and researchers. Some notable examples include MIT OpenCourseWare, which offers free access to course materials from the Massachusetts Institute of Technology, and the

Digital Public Library of America, which provides a vast collection of digitized books and historical documents. In conclusion, Clark C500 25 Manual books and manuals for download have transformed the way we access information. They provide a cost-effective and convenient means of acquiring knowledge, offering the ability to access a vast library of resources at our fingertips. With platforms like Project Gutenberg, Open Library, and various digital libraries offered by educational institutions, we have access to an ever-expanding collection of books and manuals. Whether for educational, professional, or personal purposes, these digital resources serve as valuable tools for continuous learning and self-improvement. So why not take advantage of the vast world of Clark C500 25 Manual books and manuals for download and embark on your journey of knowledge?

FAQs About Clark C500 25 Manual Books

How do I know which eBook platform is the best for me? Finding the best eBook platform depends on your reading preferences and device compatibility. Research different platforms, read user reviews, and explore their features before making a choice. Are free eBooks of good quality? Yes, many reputable platforms offer high-quality free eBooks, including classics and public domain works. However, make sure to verify the source to ensure the eBook credibility. Can I read eBooks without an eReader? Absolutely! Most eBook platforms offer webbased readers or mobile apps that allow you to read eBooks on your computer, tablet, or smartphone. How do I avoid digital eye strain while reading eBooks? To prevent digital eye strain, take regular breaks, adjust the font size and background color, and ensure proper lighting while reading eBooks. What the advantage of interactive eBooks? Interactive eBooks incorporate multimedia elements, quizzes, and activities, enhancing the reader engagement and providing a more immersive learning experience. Clark C500 25 Manual is one of the best book in our library for free trial. We provide copy of Clark C500 25 Manual in digital format, so the resources that you find are reliable. There are also many Ebooks of related with Clark C500 25 Manual. Where to download Clark C500 25 Manual online for free? Are you looking for Clark C500 25 Manual PDF? This is definitely going to save you time and cash in something you should think about. If you trying to find then search around for online. Without a doubt there are numerous these available and many of them have the freedom. However without doubt you receive whatever you purchase. An alternate way to get ideas is always to check another Clark C500 25 Manual. This method for see exactly what may be included and adopt these ideas to your book. This site will almost certainly help you save time and effort, money and stress. If you are looking for free books then you really should consider finding to assist you try this. Several of Clark C500 25 Manual are for sale to free while some are payable. If you arent sure if the books you would like to download works with for usage along with your computer, it is possible to download free trials. The free guides make it easy for someone to free access online library

for download books to your device. You can get free download on free trial for lots of books categories. Our library is the biggest of these that have literally hundreds of thousands of different products categories represented. You will also see that there are specific sites catered to different product types or categories, brands or niches related with Clark C500 25 Manual. So depending on what exactly you are searching, you will be able to choose e books to suit your own need. Need to access completely for Campbell Biology Seventh Edition book? Access Ebook without any digging. And by having access to our ebook online or by storing it on your computer, you have convenient answers with Clark C500 25 Manual To get started finding Clark C500 25 Manual, you are right to find our website which has a comprehensive collection of books online. Our library is the biggest of these that have literally hundreds of thousands of different products represented. You will also see that there are specific sites catered to different categories or niches related with Clark C500 25 Manual So depending on what exactly you are searching, you will be able to choose ebook to suit your own need. Thank you for reading Clark C500 25 Manual. Maybe you have knowledge that, people have search numerous times for their favorite readings like this Clark C500 25 Manual, but end up in harmful downloads. Rather than reading a good book with a cup of coffee in the afternoon, instead they juggled with some harmful bugs inside their laptop. Clark C500 25 Manual is available in our book collection an online access to it is set as public so you can download it instantly. Our digital library spans in multiple locations, allowing you to get the most less latency time to download any of our books like this one. Merely said, Clark C500 25 Manual is universally compatible with any devices to read.

Find Clark C500 25 Manual :

advanced methods for top side hustles tips

how to roth ira for beginners

beginner tutorial for new roth ira step by step

how to start side hustles ideas

how to start retirement planning step by step

best strategies for new personal finance tips

debt payoff strategies 2025

beginner tutorial for new credit score 2025

beginner tutorial for debt payoff strategies step by step

beginner tutorial for quick side hustles for beginners

how do i side hustles ideas

best strategies for top saving money tips ideas

advanced methods for simple debt payoff strategies ideas

[complete guide to how to roth ira step by step](#)

[complete guide to top saving money tips](#)

Clark C500 25 Manual :

[to kill a mockingbird by harper lee matawan aberdeen](#) - May 14 2023

web to kill a mockingbird by harper lee retold by jen sanders beth sampson teachers of the newton public schools setting maycomb alabama 1930 s narrator jean louise scout finch chapter 1 when my brother jem was almost 13 he broke his arm badly even though it healed we always talked about what really caused the accident

to kill a mockingbird abridged version yumpu - Dec 09 2022

web to kill a mockingbird by harper lee retold by jen sanders beth sampson teachers of

[to kill a mockingbird chapter 16 abridged version youtube](#) - May 02 2022

web jan 5 2021 grade 8 ela buffalo public schools

[to kill a mockingbird study guide sparknotes](#) - Aug 05 2022

web to kill a mockingbird is harper lee s 1961 pulitzer prize winning novel about a child s view of race and justice in the depression era south the book sells one million copies per year and scout remains one of the most beloved characters in american fiction explore a character analysis of scout the plot summary and important quotes summary

[editions of to kill a mockingbird by harper lee goodreads](#) - Mar 12 2023

web to kill a mockingbird mass market paperback published april 2010 by hachette book group grand central publishing 50th anniversary edition mass market paperback 376 pages more details want to read rate this book 1 of 5 stars 2 of 5 stars 3 of 5 stars 4 of 5 stars 5 of 5 stars

mr barkett s to kill a mockingbird resource site - Jun 15 2023

web feb 4 2014 we would like to show you a description here but the site won t allow us

to kill a mockingbird an abridged version for secondary students - Sep 18 2023

web apr 17 2023 docx 84 17 kb docx 217 11 kb docx 12 94 kb docx 12 78 kb docx 12 82 kb docx 12 7 kb docx 13 24 kb docx 3 7 mb this simplified and abridged version of harper lee s classic to kill a mockingbird is guaranteed to

[abridged version to kill a mockingbird 2023](#) - Apr 13 2023

web abridged version to kill a mockingbird scout atticus and boo mary mcdonagh murphy 2010 06 08 to commemorate the 50th anniversary of harper lee s beloved classic to kill a mockingbird filmmaker mary murphy has interviewed prominent figures including oprah anna quindlen and tom brokaw on how the book has impacted their lives these

both sides want to ban to kill a mockingbird don t rob students - Apr 01 2022

web 1 day ago don t rob students of understanding when both the right and the left criticize parts of any agreement negotiators know they ve found the sweet spot the same is true for books to kill a mockingbird the harper lee classic set in fictional 1930 s maycomb alabama has found that sweet spot 63 years after it was written the book is now

to kill a mockingbird an abridged text pdf4pro com - Sep 06 2022

web to kill a mockingbird is about a girl called scout finch she lives in america the novel is set in the 1930s in the one of the most important themes in to kill a mockingbird is racism in the novel an afro american is accused of raping a white lady it is clear that he is innocent but because he is black he is found guilty

to kill a mockingbird abridged version fill out sign online - Feb 28 2022

web to kill a mockingbird abridged version get the up to date to kill a mockingbird abridged version 2023 now 4 5 out of 5 56 votes 44 reviews 23 ratings 15 005 10 000 000 303 100 000 users here s how it works 01 edit your to kill a mockingbird abridged online type text add images blackout confidential details add comments highlights and more

to kill a mockingbird an abridged version goodreads - Jul 16 2023

web feb 24 2020 3 64 14 ratings0 reviews this simplified and abridged version of harper lee s classic to kill a mockingbird is guaranteed to enable students understand the text it is an excellent starting point for students who would otherwise struggle with the original text this has been used in schools for many years

to kill a mockingbird abridged version fliphtml5 - Oct 07 2022

web may 28 2018 to kill a mockingbird by harper lee retold by jen sanders beth sampson teachers of the newton public schools 1 setting maycomb alabama 1930 s narrator jean louse scout finch chapter 1 when my brother jem was almost 13 he broke his arm badly even though it healed wealways talked about what really caused

results for to kill a mockingbird abridged version tpt - Feb 11 2023

web dec 13 2014 use this abridged version of lyndon b johnson s famous war on poverty speech to make connections between the characters in to kill a mockingbird and the realities of poverty this is a great assignment to give students a safe space to discuss the effects and realities of poverty in a realistic setting without the danger of the

to kill a mockingbird abridged version google docs - Oct 19 2023

web chapter 1 jem and scout grew up on a small town in alabama the name of the town is maycomb they lived there with their father atticus and cook calpurnia jem and scout s mother died when scout

to kill a mockingbird chapter 15 abridged version youtube - Jul 04 2022

web jan 3 2021 ela grade 8 buffalo public schools

to kill a mockingbird summary characters book facts - Jan 10 2023

web nov 5 2023 it is widely believed that harper lee based the character of atticus finch on her father amasa coleman lee a compassionate and dedicated lawyer the plot of to kill a mockingbird was reportedly inspired in part by his unsuccessful defense of two african american men a father and a son accused of murdering a white storekeeper the [libguides to kill a mockingbird to kill a mockingbird text](#) - Jun 03 2022

web may 11 2023 description to kill a mockingbird is a novel by harper lee published in 1960 the plot and characters are loosely based on the author s observations of her family and neighbors and is renowned for its warmth and humor despite dealing with the serious issues of rape and racial inequality source

to kill a mockingbird wikipedia - Nov 08 2022

web to kill a mockingbird to kill a mockingbird is a novel by the american author harper lee it was published in 1960 and was instantly successful in the united states it is widely read in high schools and middle schools to kill a mockingbird has become a classic of modern american literature a year after its release it won the pulitzer prize

to kill a mockingbird simplified abridged and edited with an - Aug 17 2023

web sep 1 2019 buy on amazon rate this book to kill a mockingbird simplified abridged and edited with an introduction notes and integrated activities angela t wesker 3 67 36 ratings4 reviews

[work on your vocabulary language learning](#) - Aug 03 2022

web collins work on your grammar pre intermediate choose work on your grammar elementary a1 below this level or work on your grammar intermediate b1 above

[vocabulary a1 collins work on your google books](#) - May 12 2023

web hundreds of words to learn and remember collins work on your vocabulary elementary a1 is a new practice book that covers the key vocabulary needed by learners of

vocabulary a1 collins work on your harpercollins co uk - Apr 11 2023

web hundreds of words to learn and remember collins work on your vocabulary elementary a1 is a new practice book that covers the key vocabulary needed by learners of

[collins work on your vocabulary a1 elementary hepsiburada com](#) - Jan 08 2023

web vocabulary a1 collins work on your collins uk amazon com tr kitap Çerez tercihlerinizi seçin Çerez bildirimimizde ayrıntılı şekilde açıklandığı üzere alışveriş

collins work on your vocabulary hundreds of words to learn - Oct 05 2022

web may 31 2019 the vocabulary covered in collins work on your vocabulary elementary a1 has been carefully selected based on collins corpus research and the

vocabulary a1 collins work on your 2022 dotnbm - Nov 25 2021

web collins work on your grammar elementary a1 is a new practice book that covers the key grammar points needed by learners of english at elementary level cef level a1

[collins work on your vocabulary c1 collins work on your](#) - Oct 25 2021

[grammar a1 collins work on your harpercollins](#) - Sep 23 2021

collins work on your vocabulary advanced c1 archive org - Dec 27 2021

web mar 28 2013 description hundreds of words to learn and remember collins work on your vocabulary advanced c1 is a new practice book that covers the key

[collins work on your grammar advanced c1 sciarium](#) - Feb 26 2022

web jul 31 2022 hundreds of words to learn and remember collins work on your vocabulary advanced c1 is a new practice book that covers the key vocabulary needed by

collins work on your vocabulary elementary anna s archive - Feb 09 2023

web collins work on your vocabulary elementary a1 is a new practice book that covers the key vocabulary needed by learners of english at elementary level cef level a1 this

collins work on your grammar pre intermediate archive org - Jun 01 2022

web collins work on your vocabulary c1 advanced kağıt kapak 26 kasım 2013 İngilizce baskı kolektif eser sahibi 59 değerlendirme tüm biçimleri ve sürümleri görün

collins work on your accent helen ashton paperback - Apr 30 2022

web jun 21 2018 collins work on your grammar pre intermediate a2 is a new practice book that covers the key grammar points needed by learners of english at pre

[work on your series by harpercollins goodreads](#) - Sep 04 2022

web collins work on your grammar elementary a1 is a new practice book that covers the key grammar points needed by learners of english at elementary level cef level a1

collins work on your vocabulary elementary a1 - Nov 06 2022

web work on your grammar elementary a1 by harpercollins 3 80 15 ratings published 2013 2 editions hundreds of exercises to get you to the next level want to read

[collins work on your vocabulary c1 advanced kağıt kapak](#) - Mar 30 2022

web oct 1 2019 collins 2013 isbn 978 0 00 749964 9 hundreds of words to learn and remember collins work on your vocabulary intermediate b1 is a new practice book

[elt general english collins work on your](#) - Jun 13 2023

web collins work on your vocabulary a1 collins work on your collins work on your vocabulary a2 collins work on your collins work on your

vocabulary a1 collins work on your paperback - Mar 10 2023

web hundreds of words to learn and remember collins work on your vocabulary elementary a1 is a new practice book that covers the key vocabulary needed by learners of

vocabulary a1 collins work on your kağıt kapak - Dec 07 2022

web collins work on your vocabulary elementary a1 is ideal for self study or for use in the classroom and is an essential resource for students and teachers focuses on the

collins work on your vocabulary a1 collins work on your - Jul 14 2023

web feb 14 2013 description hundreds of words to learn and remember collins work on your vocabulary elementary a1 is a new practice book that covers the key

[collins work on your vocabulary intermediate b1 sciarium](#) - Jan 28 2022

web 2 2 vocabulary a1 collins work on your 2021 11 09 access the free bonus story and the discounted audiobook edition on our language readers library site

[collins work on your vocabulary elementary pdf](#) - Aug 15 2023

web this book work on your vocabulary elementary a1 helps students to learn and practise english vocabulary at cef level a1 this book is suitable for you to use if you are at cef level a1 or just below

grammar a1 collins work on your kağıt kapak - Jul 02 2022

web jan 6 2021 collins work on your accent features thirty eight units on the main consonant and vowel sounds in english advice on rhythm stress and pitch expanded

physical science and study workbook wordwise secure4 khronos - Oct 04 2022

web jun 21 2023 science physical download and read physical science and study workbook wordwise physical science and study workbook wordwise following

physical science and study workbook 16 wordwise pdf - Jun 12 2023

web apr 14 2023 use this on line broadcast physical science and study workbook 16 wordwise as competently as evaluation them wherever you are now hospital literature

physical science and study workbook 16 wordwise - May 11 2023

web publication as with ease as keenness of this physical science and study workbook 16 wordwise can be taken as competently as picked to act the needs of strangers

physical education class 11 cbse textbook for session - Dec 26 2021

web a textbook of physical education class 11 description p r e f a c e the national curriculum framework ncf 22 and national education policy 2020 has affirmed the

physical science and study workbook wordwise copy - Apr 29 2022

web physical science and study workbook wordwise pdf physical science and study workbook wordwise 2 downloaded from analytics test makestories io on by guest

physical science and study workbook answers pdf - Jan 27 2022

web you could buy guide physical science and study workbook answers or get it as soon as feasible you could speedily download this physical science and study workbook

physicalscienceandstudyworkbook16wordwise copy - Feb 25 2022

web physicalscienceandstudyworkbook16wordwise 1 1 downloaded from rapport bicworld com on by guest

physicalscienceandstudywor

physical science and study workbook 16 wordwise pdf pdf pdf - Jul 13 2023

web jun 15 2023 merely said the physical science and study workbook 16 wordwise pdf pdf is universally compatible with any devices to read the matter of everything suzie

download ebook physical science and study workbook 16 - Feb 08 2023

web physical science and study workbook 16 wordwise thus simple right here we have countless books physical science and study workbook 16 wordwise and collections

online library physical science and study workbook 16 - May 31 2022

web physical science and study workbook 16 wordwise is available in our book collection an online access to it is set as public so you can download it instantly our digital library

physical science student workbook amazon com - Mar 29 2022

web feb 23 2006 workbook edition with the full color physical science text students learn the properties of matter elements compounds electricity and sound and light students

std xi science physics practical handbook indiamart - Nov 24 2021

web target publications offering std xi science physics practical handbook physics books at rs 45 00 piece in mumbai maharashtra get contact number of verified dealers of

wordwise chapter 12 flashcards quizlet - Apr 10 2023

web terms in this set 13 a measure of an object s inertia mass force that affects all particles in a nucleus and acts only over a short range weak nucleus opposes the force of

[physical science and study workbook 16 wordwise banpaen](#) - Aug 02 2022

web jun 7 2023 solely expressed the physical science and study workbook 16 wordwise is internationally harmonious with any devices to browse yet when realize you give a

[wb board syllabus for madhyamik class 10 physical science](#) - Oct 24 2021

web feb 10 2023 wb board syllabus for madhyamik pariksha of physical science subject west bengal board physical science syllabus for class 10 is given below wb board

word wise chapter 11 motion flashcards quizlet - Jul 01 2022

web study with quizlet and memorize flashcards containing terms like acceleration vector average speed and more fresh features from the 1 ai enhanced learning platform

physical science and study workbook 16 wordwise - Sep 03 2022

web right here we have countless books physical science and study workbook 16 wordwise and collections to check out we additionally come up with the money for

physical science and study workbook 16 wordwise pdf pdf - Jan 07 2023

web physical science and study workbook 16 wordwise pdf pdf blog watchshopping com created date 8 31 2023 12 29 03 pm

[physical science and study workbook 16 wordwise pdf pdf](#) - Mar 09 2023

web physical science and study workbook 16 wordwise pdf pdf is clear in our digital library an online entrance to it is set as public appropriately you can download it instantly

access free physical science and study workbook 16 wordwise - Nov 05 2022

web physical science and study workbook 16 wordwise is available in our book collection an online access to it is set as public so you can get it instantly our books collection

physical science and study workbook 16 wordwise - Aug 14 2023

web physical science and study workbook 16 wordwise is manageable in our digital library an online right of entry to it is set as public suitably you can download it instantly our

[physical science and study workbook 16 wordwise pdf pdf copy](#) - Dec 06 2022

web book which stretches across physics the life sciences and cosmology each chapter considers a separate question and ends with either an answer or if there is insufficient