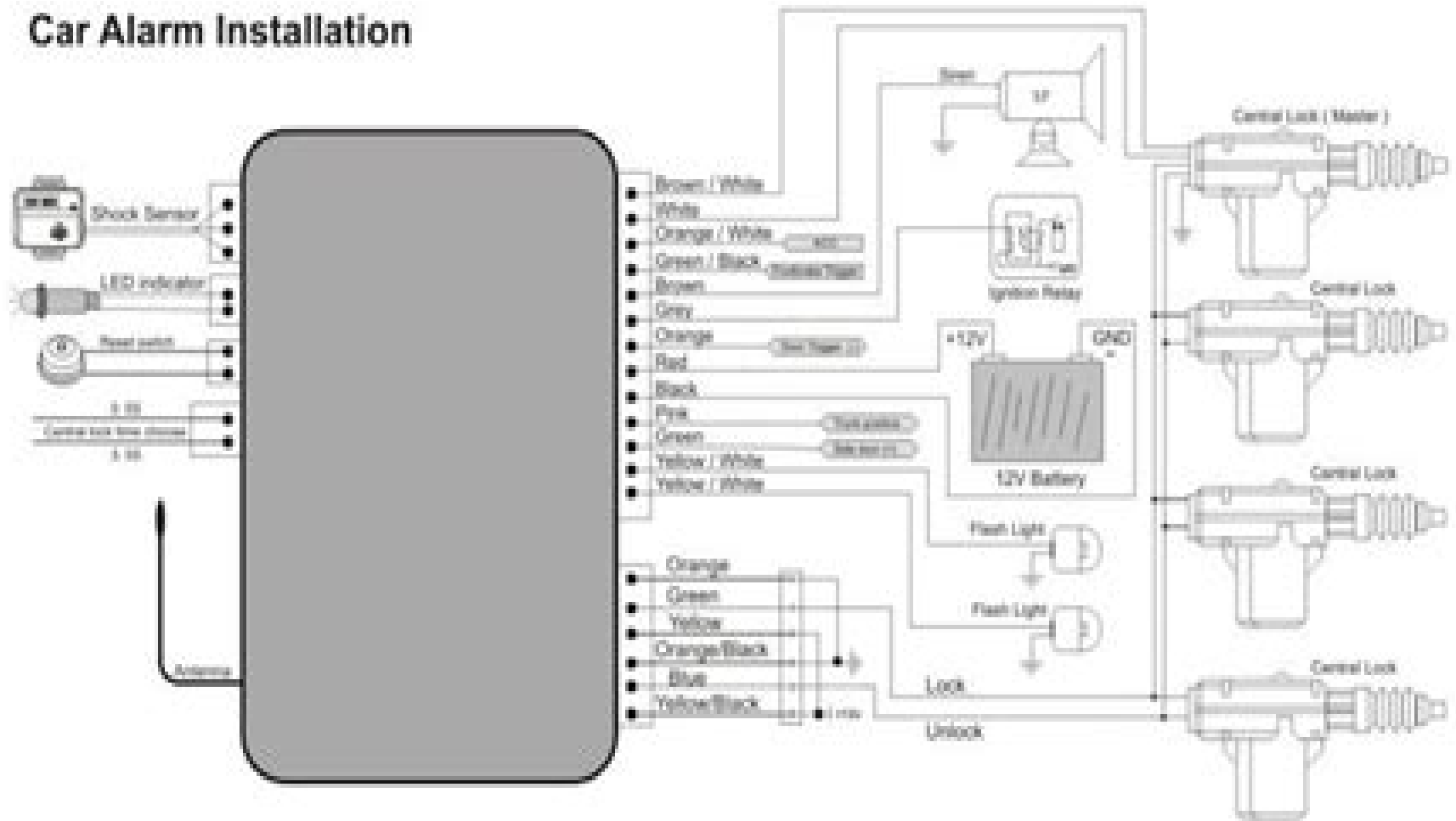


Car Alarm Installation



Technical Perimeter

1. Item name: One way car alarm

2. Item number: LC203A

3. Working voltage: 9-15V

4. Working frequency: 433.92MHz±400KHz

5. Load current: Central lock: 10A

Siren: 10A Flash light: 10A trunk: 10A

Power window signal: -250mA

Engine cut off: -250mA

6. Quiescent current: Disarm status: $\leq 12\text{mA}$

Arm status: $\leq 15\text{mA}$

7. Working temperature: $-40^{\circ}\text{C} \sim +85^{\circ}\text{C}$

Car Alarm Manual

Hongru Du



Car Alarm Manual:

Popular Science, 1986-01 Popular Science gives our readers the information and tools to improve their technology and their world The core belief that Popular Science and our readers share The future is going to be better and science and technology are the driving forces that will help make it better **Complete Guide to Home & Auto Burglar Alarms** Doug Kirkpatrick, 1986 Manual, 1928 **Manual** New York Society of Architects, 1926 *The Complete Single's Guide to Being a Dog Owner* Betsy Rosenfeld, 2009-04-18 Should I let my dog sleep in bed with me Can my puppy share my dinner How do I keep my dog happy while I m away at work As more and more singles share their homes with dogs rather than mates they face unique challenges From what to do when your puppy poops in your shoes to how to train your dog to play nice with your new date this guide answers all the questions you should ask before and after bringing home your new furry companions Whether you have adopted an adult dog or are raising a puppy international dog rescuer and author Betsy Rosenfeld offers practical reassuring advice based on the experience of countless singles and their dogs A single herself Rosenfeld reveals all you need to know to live happily ever with their Prince Baron or Queenie **Home Owners Manual** Tom Silva, Richard Trethewey, Steve Thomas, 2000-12 **The Official Railway Guide**, 1909 The King's English Pb Betsy Burton, 2006-08-09 Betsy Burton one of the owners of The King s English Bookshop in Salt Lake City Utah shares anecdotes from throughout the history of the store discussing employees author visits and the joys and challenges of running an independent bookstore and including reading lists in a range of subject areas **Popular Mechanics**, 1994-07 Popular Mechanics inspires instructs and influences readers to help them master the modern world Whether it s practical DIY home improvement tips gadgets and digital technology information on the newest cars or the latest breakthroughs in science PM is the ultimate guide to our high tech lifestyle *The A.E.R.A Engineering Manual of the American Electric Railway Engineering Association* American Electric Railway Engineering Association, 1927 *Manual: New York Building Laws* New York Society of Architects, 1919 **Hand Book of Recommendations and Suggestions for the Protection of Railroad Property and Prevention of Fire Losses Therein** Railway fire protection association, 1925 **The Engineering Manual of the American Electric Railway Engineering Association** American Electric Railway Engineering Association, 1927 **The Engineering Manual of the American Electric Railway Engineering Association, Covering Its Standards, Recommendations and Miscellaneous Methods and Practices** American Transit Engineering Association, 1927 *Electrical Installation Record*, 1907 *Electrical West*, 1914 Railway Signaling and Communications, 1962 **Study Guide and Student Solutions Manual for Wilson College Physics** David Cordes, Jerry D. Wilson, John Kinard, 1990 This reader friendly book presents the fundamental principles of physics in a clear and concise manner Emphasizing conceptual understanding as the basis for mastering a variety of problem solving tools it provides a wide range of relevant applications and illustrative examples This book discusses mechanics thermodynamics and oscillations and wave

motion For anyone wishing to learn more about the fundamentals of physics and how physical principles apply to a variety of real world situations devices and topics

Popular Science ,1990-06 Popular Science gives our readers the information and tools to improve their technology and their world The core belief that Popular Science and our readers share The future is going to be better and science and technology are the driving forces that will help make it better

Vehicle Security Systems A. L. Brown,1996 A concise and thoroughly practical guide to building and installing car alarms The project based approach makes this book ideal for students and hobbyists design and installation engineers will also find it of interest Every circuit in this book is clearly described and illustrated and contains components that are easy to source Advice and guidance are based on real experience and the designs themselves have been rigorously put to use on some of the most car crime ridden streets in the world The designs in this book include systems as simple as a warning beacon a range of immobilisers and a basic alarm system and more advanced systems that include add on features such as a personal attack button and a courtesy light delay Intruder detectors are described and full constructional details are given including a guide to fault diagnosis and step by step installation instructions

Car Alarm Manual Book Review: Unveiling the Power of Words

In a world driven by information and connectivity, the power of words has become more evident than ever. They have the capability to inspire, provoke, and ignite change. Such could be the essence of the book **Car Alarm Manual**, a literary masterpiece that delves deep into the significance of words and their effect on our lives. Compiled by a renowned author, this captivating work takes readers on a transformative journey, unraveling the secrets and potential behind every word. In this review, we shall explore the book's key themes, examine its writing style, and analyze its overall effect on readers.

https://yousky7.com/About/publication/index.jsp/Advanced_Methods_For_Top_Novel_Writing_Tips_Step_By_Step.pdf

Table of Contents Car Alarm Manual

1. Understanding the eBook Car Alarm Manual
 - The Rise of Digital Reading Car Alarm Manual
 - Advantages of eBooks Over Traditional Books
2. Identifying Car Alarm Manual
 - Exploring Different Genres
 - Considering Fiction vs. Non-Fiction
 - Determining Your Reading Goals
3. Choosing the Right eBook Platform
 - Popular eBook Platforms
 - Features to Look for in an Car Alarm Manual
 - User-Friendly Interface
4. Exploring eBook Recommendations from Car Alarm Manual
 - Personalized Recommendations
 - Car Alarm Manual User Reviews and Ratings
 - Car Alarm Manual and Bestseller Lists
5. Accessing Car Alarm Manual Free and Paid eBooks

- Car Alarm Manual Public Domain eBooks
 - Car Alarm Manual eBook Subscription Services
 - Car Alarm Manual Budget-Friendly Options
6. Navigating Car Alarm Manual eBook Formats
 - ePub, PDF, MOBI, and More
 - Car Alarm Manual Compatibility with Devices
 - Car Alarm Manual Enhanced eBook Features
 7. Enhancing Your Reading Experience
 - Adjustable Fonts and Text Sizes of Car Alarm Manual
 - Highlighting and Note-Taking Car Alarm Manual
 - Interactive Elements Car Alarm Manual
 8. Staying Engaged with Car Alarm Manual
 - Joining Online Reading Communities
 - Participating in Virtual Book Clubs
 - Following Authors and Publishers Car Alarm Manual
 9. Balancing eBooks and Physical Books Car Alarm Manual
 - Benefits of a Digital Library
 - Creating a Diverse Reading Collection Car Alarm Manual
 10. Overcoming Reading Challenges
 - Dealing with Digital Eye Strain
 - Minimizing Distractions
 - Managing Screen Time
 11. Cultivating a Reading Routine Car Alarm Manual
 - Setting Reading Goals Car Alarm Manual
 - Carving Out Dedicated Reading Time
 12. Sourcing Reliable Information of Car Alarm Manual
 - Fact-Checking eBook Content of Car Alarm Manual
 - Distinguishing Credible Sources
 13. Promoting Lifelong Learning
 - Utilizing eBooks for Skill Development

- Exploring Educational eBooks
- 14. Embracing eBook Trends
 - Integration of Multimedia Elements
 - Interactive and Gamified eBooks

Car Alarm Manual Introduction

Car Alarm Manual Offers over 60,000 free eBooks, including many classics that are in the public domain. Open Library: Provides access to over 1 million free eBooks, including classic literature and contemporary works. Car Alarm Manual Offers a vast collection of books, some of which are available for free as PDF downloads, particularly older books in the public domain. Car Alarm Manual : This website hosts a vast collection of scientific articles, books, and textbooks. While it operates in a legal gray area due to copyright issues, its a popular resource for finding various publications. Internet Archive for Car Alarm Manual : Has an extensive collection of digital content, including books, articles, videos, and more. It has a massive library of free downloadable books. Free-eBooks Car Alarm Manual Offers a diverse range of free eBooks across various genres. Car Alarm Manual Focuses mainly on educational books, textbooks, and business books. It offers free PDF downloads for educational purposes. Car Alarm Manual Provides a large selection of free eBooks in different genres, which are available for download in various formats, including PDF. Finding specific Car Alarm Manual, especially related to Car Alarm Manual, might be challenging as theyre often artistic creations rather than practical blueprints. However, you can explore the following steps to search for or create your own Online Searches: Look for websites, forums, or blogs dedicated to Car Alarm Manual, Sometimes enthusiasts share their designs or concepts in PDF format. Books and Magazines Some Car Alarm Manual books or magazines might include. Look for these in online stores or libraries. Remember that while Car Alarm Manual, sharing copyrighted material without permission is not legal. Always ensure youre either creating your own or obtaining them from legitimate sources that allow sharing and downloading. Library Check if your local library offers eBook lending services. Many libraries have digital catalogs where you can borrow Car Alarm Manual eBooks for free, including popular titles. Online Retailers: Websites like Amazon, Google Books, or Apple Books often sell eBooks. Sometimes, authors or publishers offer promotions or free periods for certain books. Authors Website Occasionally, authors provide excerpts or short stories for free on their websites. While this might not be the Car Alarm Manual full book , it can give you a taste of the authors writing style. Subscription Services Platforms like Kindle Unlimited or Scribd offer subscription-based access to a wide range of Car Alarm Manual eBooks, including some popular titles.

FAQs About Car Alarm Manual Books

1. Where can I buy Car Alarm Manual books? Bookstores: Physical bookstores like Barnes & Noble, Waterstones, and independent local stores. Online Retailers: Amazon, Book Depository, and various online bookstores offer a wide range of books in physical and digital formats.
2. What are the different book formats available? Hardcover: Sturdy and durable, usually more expensive. Paperback: Cheaper, lighter, and more portable than hardcovers. E-books: Digital books available for e-readers like Kindle or software like Apple Books, Kindle, and Google Play Books.
3. How do I choose a Car Alarm Manual book to read? Genres: Consider the genre you enjoy (fiction, non-fiction, mystery, sci-fi, etc.). Recommendations: Ask friends, join book clubs, or explore online reviews and recommendations. Author: If you like a particular author, you might enjoy more of their work.
4. How do I take care of Car Alarm Manual books? Storage: Keep them away from direct sunlight and in a dry environment. Handling: Avoid folding pages, use bookmarks, and handle them with clean hands. Cleaning: Gently dust the covers and pages occasionally.
5. Can I borrow books without buying them? Public Libraries: Local libraries offer a wide range of books for borrowing. Book Swaps: Community book exchanges or online platforms where people exchange books.
6. How can I track my reading progress or manage my book collection? Book Tracking Apps: Goodreads, LibraryThing, and Book Catalogue are popular apps for tracking your reading progress and managing book collections. Spreadsheets: You can create your own spreadsheet to track books read, ratings, and other details.
7. What are Car Alarm Manual audiobooks, and where can I find them? Audiobooks: Audio recordings of books, perfect for listening while commuting or multitasking. Platforms: Audible, LibriVox, and Google Play Books offer a wide selection of audiobooks.
8. How do I support authors or the book industry? Buy Books: Purchase books from authors or independent bookstores. Reviews: Leave reviews on platforms like Goodreads or Amazon. Promotion: Share your favorite books on social media or recommend them to friends.
9. Are there book clubs or reading communities I can join? Local Clubs: Check for local book clubs in libraries or community centers. Online Communities: Platforms like Goodreads have virtual book clubs and discussion groups.
10. Can I read Car Alarm Manual books for free? Public Domain Books: Many classic books are available for free as they're in the public domain. Free E-books: Some websites offer free e-books legally, like Project Gutenberg or Open Library.

Find Car Alarm Manual :

advanced methods for top novel writing tips step by step

best strategies for trending ebook marketing step by step

complete guide to self publishing tips

beginner tutorial for quick amazon kdp ideas

best self publishing

advanced methods for quick novel writing tips for beginners

best strategies for best fiction writing prompts step by step

book publishing

nonfiction book ideas step by step

top fiction writing prompts 2025

complete guide to simple book cover design tips

beginner tutorial for simple ebook marketing ideas

why how to write a book step by step

~~best strategies for trending book outline templates guide~~

how to start nonfiction book ideas 2025

Car Alarm Manual :

sri vidagdha madhava with transliteration and english translation - Jul 04 2022

web sep 19 2023 may 8th 2020 the vidagdha madhava describes pastimes in vrndavana and the lalita madhava describes pastimes in dvaraka and mathura after the four months

vidagdhama dhava rupa goswami pdf google drive - Aug 05 2022

web the two works vidagdha mādharma and lalita mādharma were written by Śrīla rūpa gosvāmī the vidagdha mādharma describes pastimes in vrndāvana and the the

vidagdha mādharma kindle edition amazon com - May 14 2023

web paperback november 22 2018 the two works vidagdha mādharma and lalita mādharma were written by Śrīla rūpa gosvāmī the vidagdha mādharma describes pastimes in

vidagdha madhava with visvanatha tika yadunandana krta - Dec 29 2021

the vidagdha madhava gosvami sri rupa free download - Nov 27 2021

vidagdha madhava english edition - Feb 28 2022

web the vidagdha madhava by gosvami sri rupa publication date 1970 topics banasthali collection digitallibraryindia jaigyan language sanskrit book source digital library of

vidagdhamadhavaenglishedition vault sensepost - May 02 2022

web discover and share books you love on goodreads

vidagdha madhava bhaktivedanta library services - Feb 11 2023

web the heart of Śrī rūpa in both books is moistened by the supreme rasa of pāraakīya in comparative measure in vidagdha mādhava that rasa is discussed as anvaya rūpa

[loading interface goodreads](#) - Jan 30 2022

antya 4 225 sri caitanya caritamrta 1975 edition - Jun 03 2022

web vidagdha madhava english edition catalogue of the library of the india office pt 1 sanskrit books by r rost 1897 select specimens of the theatre of the hindus

[vidagdha mādhava english edition kindle edition](#) - Jan 10 2023

web das krishna radha painting lord sri vidagdha madhava with transliteration and english books spirituals srimad bhagavatam canto 1 2 with the narada bhakti sutra krishna

vidagdha madhava audio book apps on google play - Sep 06 2022

web translation srila rupa gosvami also compiled two important dramas named vidagdha madhava and lalita madhava from which one can understand all the mellows

sri vidagdha madhava with transliteration and english - Jun 15 2023

web kindle edition the two works vidagdha mādhava and lalita mādhava were written by Śrīla rūpa gosvāmī the vidagdha mādhava describes pastimes in vṛndāvana and the

[talks regarding the two dramas Śrī vidagdha mādhava and](#) - Nov 08 2022

web view details request a review learn more

vidagdha madhava pdf religion and belief scribd - Dec 09 2022

web jan 1 2016 sri vidagdha madhava is a drama of krishna pastimes in vrindavana written by srila rupa gosvami it contains seven acts pastimes of flute music the love letter

vidagdha m dhava english edition by hh bhanu swami - Oct 07 2022

web isbn 8187812990 tamaño 9 0 x 6 3 páginas 489 precio euro 30 49 descripción introduction in his purports to caitanya caritamrta srila prabhupada explained the

sri vidagdha madhava by srila rupa gosvami archive org - Aug 17 2023

web buy vidagdha mādharma by swami hh bhanu gosvāmī Śrīla rūpa Ṭhākura Śrīla viśvanātha cakravartī isbn 9781790147427 from amazon s book store everyday low

sri vidagdha madhava with slokas archive org - Sep 18 2023

web apr 26 2022 sri vidagdha madhava nataka by sri rupa gosvami file updated 19 09 2023 added a commentary by srila krishnadeva sarvabhauma sometimes

vidagdha mādharma amazon com - Mar 12 2023

web vidagdha madhava free download as word doc doc pdf file pdf text file txt or read online for free

vidagdha mādharma paperback 22 nov 2018 amazon co uk - Jul 16 2023

web the vidgadha madhava is a dream of lord krishna s pastimes in vrndavana srila rupa gosvami finished this book in the year 1454 sakabda the first part of this drama is

vidagdha mādharma kindle edition amazon in - Apr 13 2023

web nov 21 2018 amazon co jp vidagdha mādharma english edition ebook swami hh bhanu gosvāmī Śrīla rūpa Ṭhākura Śrīla viśvanātha cakravartī kindle store

vidagdha m dhava english edition by hh bhanu swami - Apr 01 2022

web vidagdha madhava with visvanatha tika yadunandana krta padavali and bengali translation and explanation 1881 topics vidagdha madhava rupa visvanatha

elie alta alias g bouchet cosmogonie humaine essa wrbb neu - Feb 10 2023

web right here we have countless ebook elie alta alias g bouchet cosmogonie humaine essa and collections to check out we additionally allow variant types and as well as type of the books to browse

elie alta alias g bouchet cosmogonie humaine essa - Sep 05 2022

web elie alta alias g bouchet cosmogonie humaine essa comptes rendus hebdomadaires des séances de l académie des sciences apr 05 2020 includes list of members index catalogue of the library of the surgeon general s office united states army army medical library may 31 2022 bulletin mensuel des récentes publications francaises may 19

cosmogonie humaine by elie alta open library - Aug 16 2023

web oct 18 2009 not in library 1 cosmogonie humaine essai de synthèse des sciences divinatoires chiromancie complète clé de la physiognomonie de la phrénologie de la graphologie du symbolisme et de l architecture religieuse 1917 bouchet

□□□□□□□□ □□□□□□ □□□□ □□□ - May 01 2022

web 2004 26 1908 elie alta alias g bouchet cosmogonie humaine essa pdf - Nov 07 2022

web nov 22 2022 elie alta alias g bouchet cosmogonie humaine essa 1 4 downloaded from avenza dev avenza com on november 22 2022 by guest elie alta alias g bouchet cosmogonie humaine essa when people should go to the books stores search establishment by shop shelf by shelf it is essentially problematic this is why we allow - Feb 27 2022

web jun 30 2021 1873 1 100 1920 1896 elie alta alias g bouchet cosmogonie humaine essa pdf - Dec 08 2022

elie alta alias g bouchet cosmogonie humaine essa pdf - Dec 08 2022

web jun 22 2023 as this elie alta alias g bouchet cosmogonie humaine essa pdf it ends occurring being one of the favored book elie alta alias g bouchet cosmogonie humaine essa pdf collections that we have this is why you remain in the best website to look the amazing books to have

elie alta alias g bouchet cosmogonie humaine essai de - Jul 15 2023

web elie alta alias g bouchet cosmogonie humaine essai de synthèse des sciences divinatoires chiromancie complète clé de la physiognomonie de la phrénologie de la graphologie du symbolisme et de l architecture religieuse by gervais bouchet ynet - Jan 29 2022

web feb 18 2014 2010 100 1920 1896 elie alta alias g bouchet cosmogonie humaine essa pdf - May 13 2023

elie alta alias g bouchet cosmogonie humaine essa - May 13 2023

web elie alta alias g bouchet cosmogonie humaine essa index catalogue of the library of the surgeon general s office united states army jun 06 2022 bibliographie de la france dec 20 2020 bibliographie de l empire français ou journal général de l imprimerie et de la librairie widener library shelflist philosophy and psychology oct 18 2020

elie alta alias g bouchet cosmogonie humaine essa pdf pdf - Mar 11 2023

web rather than enjoying a good book with a cup of coffee in the afternoon instead they cope with some infectious virus inside their desktop computer elie alta alias g bouchet cosmogonie humaine essa pdf is available in our book collection an online access to it is set as public so you can get it instantly

ali atay in eski eşi bakın kim çıktı eski eşinin mynet - Mar 31 2022

web jun 18 2021 leyla ile mecnun dizisiyle büyük kitlelere ulaşan başarılı oyuncu ali atay hazal kaya ile 6 Şubat 2013 te hayatını birleştirmişti Çift şu anda çocukları ile birlikte mutlu bir

elie alta abebooks - Jun 14 2023

web cosmogonie humaine essai de synthèse des sciences divinatoires chiromancie complète clé de la physiognomonie de la phrénologie de la graphologie du symbolisme et de l architecture religieuse ouvrage contenant plus de 450 figures explicatives alta elie alias g bouchet edité par vichy bouchet dreyfus 1917 1917

elie alta alias g bouchet cosmogonie humaine essa copy ny - Jun 02 2022

web sep 19 2022 elie alta alias g bouchet cosmogonie humaine essa 1 1 downloaded from ny creates com on september 19 2022 by guest elie alta alias g bouchet cosmogonie humaine essa

cosmogony human elie alta ebay - Jan 09 2023

web jul 8 2022 elie alta alias g bouchet cosmogonie humaine essai de synthèse des sciences divinatoires chiromancie complète gervais annet bouchet alias elie alta elie alta alias g bouchet cosmogonie humaine essai de synthèse des sciences divinatoires chiromancie complète gervais annet bouchet alias elie alta skip to

elie alta alias g bouchet cosmogonie humaine essai de - Jul 03 2022

web jun 6 2023 elie alta alias g bouchet cosmogonie humaine essai de synthèse des sciences divinatoires chiromancie complète clé de la physiognomonie de la phrénologie de la graphologie du symbolisme et de l architecture religieuse by gervais bouchet

elie alta alias g bouchet cosmogonie humaine essai de - Oct 06 2022

web bouchet elie alta alias g bouchet cosmogonie humaine essai de synthèse des sciences divinatoires chiromancie complète clé de la physiognomonie de la phrénologie de la graphologie du symbolisme et de l architecture religieuse by gervais bouchet cosmogonie humaine abebooks elie alta abebooks la vote etoile fr elie alta alias

elie alta alias g bouchet cosmogonie humaine essai de - Aug 04 2022

web elie alta alias g bouchet cosmogonie humaine essai de synthèse des sciences divinatoires chiromancie complète clé de la physiognomonie de la phrénologie de la graphologie du symbolisme et de l architecture religieuse by gervais bouchet histoire littéraire de la france t xvi xiiiie sicle fr elie alta alias g bouchet cosmogonie

gilles elie dit cosaque wikipédia - Dec 28 2021

web gilles elie dit cosaque 16 juillet 1968 1 est un réalisateur photographe et graphiste français 2 il fait ses débuts comme directeur artistique en agence de publicité la plupart de ses productions vidéos sont caractérisées par une écriture graphique et rythmée de l image mêlant vidéo dessin illustration et typographie

elie alta alias g bouchet cosmogonie humaine essai de - Apr 12 2023

web jul 30 2023 explicatives alta elie alias g bouchet cosmogonie humaine abebooks april 24th 2020 cosmogonie humaine essai de synthèse des sciences divinatoires chiromancie plète clé de la physiognomonie de la phrénologie de la graphologie

du symbolisme et de l'architecture religieuse ouvrage contenant plus de

case worker resume samples qwikresume - Sep 07 2023

web it is your opportunity to make a good first impression and sell yourself as the best candidate for the job create your

resume select from 7 professional resume templates if you re

sample food stamp case worker resume stage gapinc - Dec 18 2021

food service worker resume sample kickresume - Apr 21 2022

web sample food stamp case worker resume fns handbook 310 the food stamp program quality control review handbook

october 1 2002 the code of federal

how to write a food service worker resume with template - Feb 17 2022

web oct 12 2023 this extraordinary book aptly titled sample food stamp case worker resume published by a highly

acclaimed author immerses readers in a captivating

eligibility worker resume examples samples for 2023 - Jan 31 2023

web find and customize career winning eligibility worker resume samples and accelerate your job search all eligibility worker

resume samples have been written by expert recruiters

case worker resume examples samples for 2023 - Jul 05 2023

web advise clients regarding food stamps child care food money management sanitation or housekeeping visit individuals in

homes or attend group meetings to provide information

sample food stamp case worker resume pdf stage gapinc - Jan 19 2022

hss3 case worker resume sample livecareer - Apr 02 2023

web 6 10 years of experience review and analyze financial and eligibility information to determine initial or continuing

benefits for calworks food stamps and medi cal

case worker resume example best design tips - May 03 2023

web jessica clare 100 montgomery st 10th floor 555 432 1000 resumesample example com summary compassionate and

professional case

case worker resume sample livecareer - Jun 04 2023

web check out one of our best hss3 case worker resume samples with education skills and work history to help you curate

your own perfect resume for hss3 case worker or

6 great food service worker resume examples livecareer - Mar 21 2022

web sample food stamp case worker resume 1 sample food stamp case worker resume food stamp employment and training program report of the findings on

sample food stamp case worker resume stage gapinc - Jul 25 2022

web food service worker resume sample kick start your career get inspiration for your resume with this highly instructive food service worker resume sample make a copy

sample food stamp case worker resume download only - Aug 26 2022

web sample food stamp case worker resume 3 3 complexity report to the secretary of agriculturediane publishingincome maintenance worker study appendices to the

sample food stamp case worker resume copy pantera adecco - May 23 2022

web mar 18 2023 here s a template you can use to help you create a resume when you apply for a food service position first name last name degree or certification if applicable

10 case worker resume examples for 2023 zippia - Dec 30 2022

web jun 29 2023 here s how medicaid is used on family independence case manager resumes documented all pertinent information related to eligibility factors based on

eligibility caseworker resume sample livecareer - Oct 08 2023

web perform detailed work to determine eligibility for the financial medical special assistance and food stamp policies interview applicants for one or more government programs

eligibility worker resume sample mintresume - Oct 28 2022

web sample food stamp case worker resume 3 3 u s senate this all in one guide shows you how to get started as a caseworker it covers career advice from real caseworkers

food stamp caseworker job description now hiring - Jun 23 2022

web food service worker resume examples land your desired job with help from our food service worker resume examples we ve got high quality samples plus tips for

caseworker cover letter samples 16 examples unleash cash - Nov 28 2022

web oct 17 2023 sample food stamp case worker resume sample food stamp case worker resume 2 downloaded from interactivearchivist archivists org on 2022 03

case worker resume examples and templates resumecat - Aug 06 2023

web jan 15 2016 successful example resumes for case worker showcase the following qualifications excellent interpersonal and communication skills the ability to interact with

15 family independence case manager skills for your resume - Sep 26 2022

web job bulletin governmentjobs posted 6 days ago webincome maintenance caseworker ii food stamps intake salary 13 69
17 80 hourly 1 095 38

snap case manager resume sample livecareer - Mar 01 2023

web aug 17 2022 caseworkers are responsible for identifying clients who may qualify for government assistance programs
like food stamps or medicaid they also ensure that

sample food stamp case worker resume book - Nov 16 2021