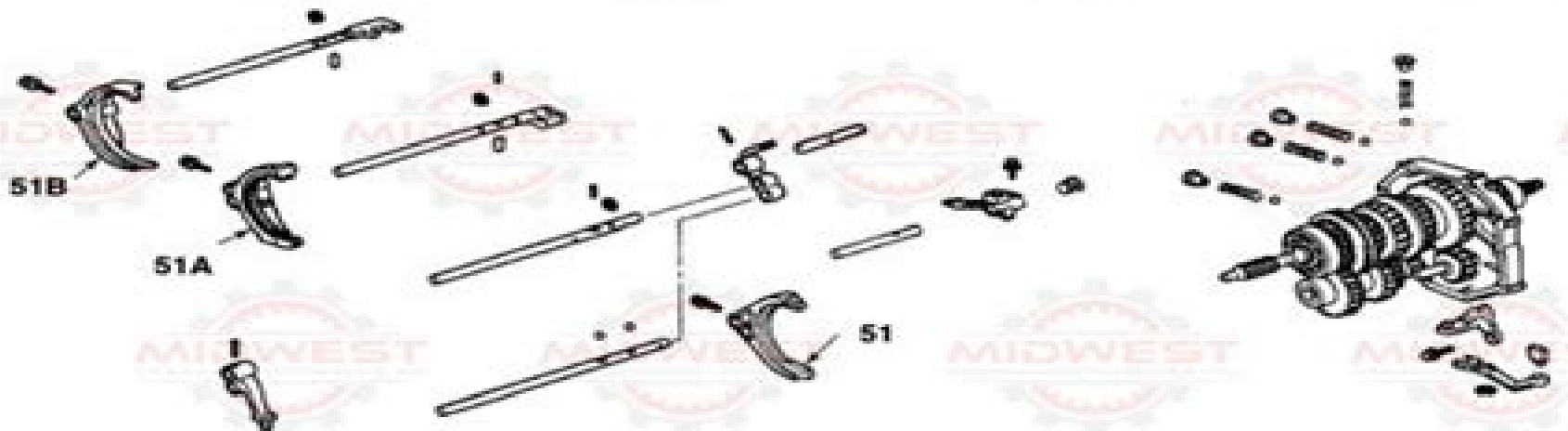
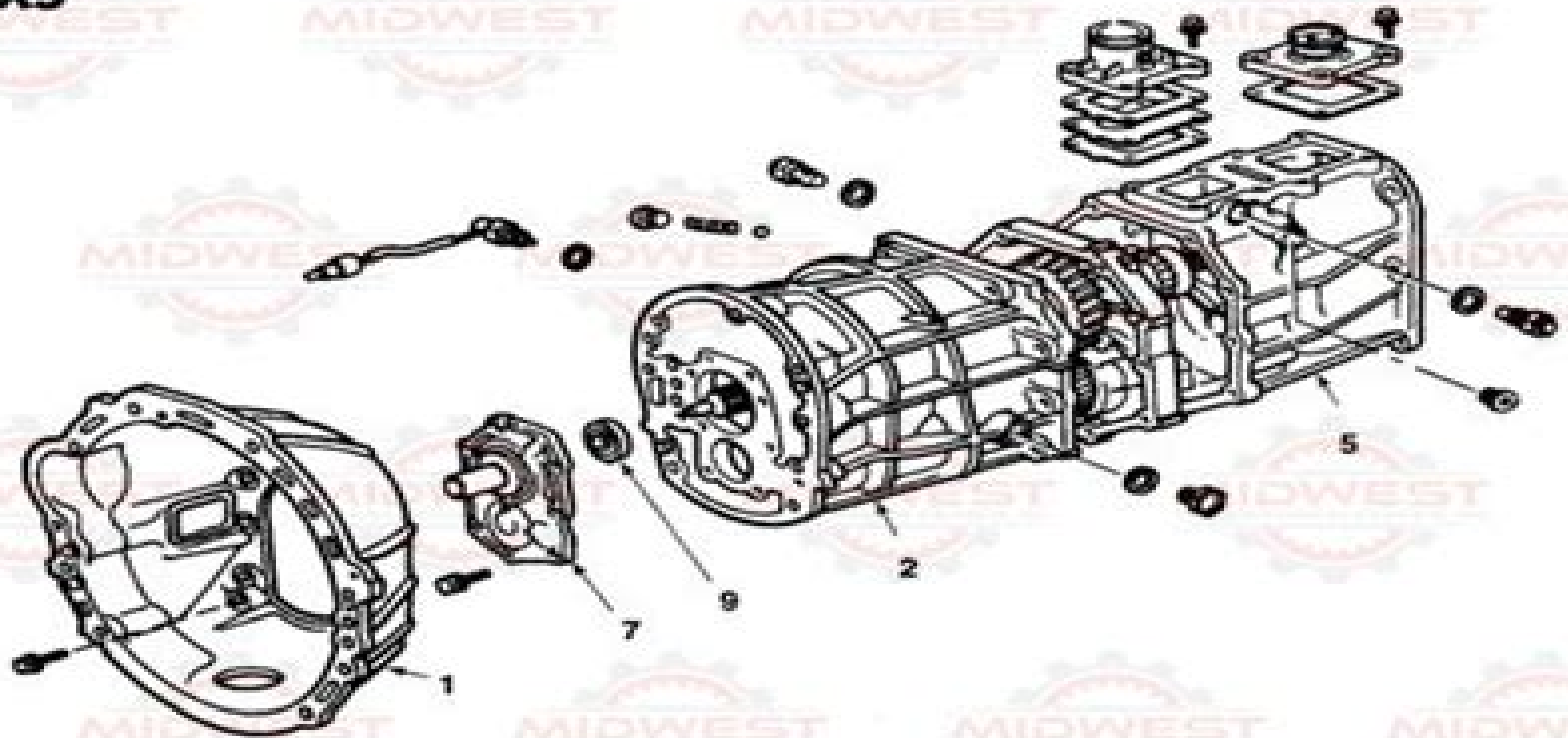


**G52
AX4
AX5**



Chrysler Ax5 Transmission Service Manual

Mitchell Information Services



Chrysler Ax5 Transmission Service Manual:

Chilton's Truck and Van Repair Manual 1982-88 Chilton Automotive Books,1988-03 **Mitchell Transmission Service & Repair** Mitchell,Mitchell Information Services,1986 Transmission Service and Repair Mitchell International, Inc,Mitchell,Mitchell Information Services,1980 *Domestic Light Trucks & Vans Tune-up, Mechanical, Service & Repair, 1986* Mitchell Information Services,1986 **\1985\nineteen Eighty-five\ Domestic Light Trucks & Vans Tune-up, Mechanical Service & Repair** Mitchell Information Services,1985 **Jeep AX 15 Manual Transmission Service Manual supplement** ,1989 **How to Rebuild and Modify High-Performance Manual Transmissions** Paul Cangialosi,2010 How to Rebuild and Modify High Performance Manual Transmissions breaks down the disassembly inspection modification upgrade and rebuilding process into detailed yet easy to follow steps consistent with our other Workbench series books The latest techniques and insider tips are revealed so an enthusiast can quickly perform a tear down identify worn parts select the best components and successfully assemble a high performance transmission Transmission expert and designer Paul Cangialosi shares his proven rebuilding methods insight and 27 years of knowledge in the transmission industry He guides you through the rebuilding process for most major high performance transmissions including BorgWarner T10 and super T10 GM Muncie Ford Toploader and Tremec T5 This new edition also contains a complete step by step rebuild of the Chrysler A833 transmission How To Rebuild and Modify Your Manual Transmission Robert Bowen, This resource explains how to rebuild and modify transmissions from both rear and front wheel drive cars It explains the principles behind the workings of all manual transmissions and helps readers understand what they need to do and know to rebuild their own transmissions Includes how to determine what parts to replace how and why to replace certain seals spacers springs forks and other parts and where to find and how to measure the specifications for each particular transmission AMC/Jeep Component Service Manual, Manual Transmission, AX 4/5 American Motors Corporation,1983

Chrysler A-833 Transmissions Jamie Passon,2018-05-08 The photos in this edition are black and white Rebuild and modify your Chrysler A 833 transmission with confidence using expertise from author Jamie Passon of Passon Performance Jamie uses his decades of knowledge on the A 833 to create the ultimate book on rebuilding a Chrysler 4 speed Provides an historical overview of the long tenured A 833 and jumps into dissecting your transmission to assess what could be malfunctioning The bulk of the book concentrates on disassembling inspecting repairing and reassembling the A 833 With 400 photos the author shows exactly how to rebuild your transmission and features how to sequences that walk you through each phase Making horsepower at Chrysler in the early 1960s was nothing new for the Pentastar brand The 413 RB engine had been producing more than 350 hp since the late 1950s Joining the lineup in 1963 the 426 Wedge doubled down on the fact that Chrysler was all in on going fast The one weakness holding them back from total domination on the streets and strips was with their dated and tired manual shifter the BorgWarner T 10 transmission That all changed with the advent of its

replacement the New Process A833 Whether you own a Polara Road Runner Challenger or Ram truck you need to be certain that your transmission is in top notch working condition Now is the time to eliminate that annoying grind when you put your Mopar into reverse

Chrysler Torque-flite Transmission Service Manual Chrysler Corporation,1956* AMC/Jeep Component Service Manual, Manual Transmission American Motors Corporation,1983 Muncie 4-Speed Transmissions Paul Cangialosi,2014-10-15 The Muncie 4 speeds M20 M21 and M22 are some of the most popular manual transmissions ever made and continue to be incredibly popular The Muncie was the top high performance manual transmission GM offered in its muscle cars of the 60s and early 70s It was installed in the Camaro Chevelle Buick GS Pontiac GTO Olds Cutlass and many other classic cars Many owners want to retain the original transmission in their classic cars to maintain its value

Transmission expert and veteran author Paul Cangialosi has created an indispensable reference to Muncie 4 speeds that guides you through each crucial stage of the rebuild process Comprehensive ID information is provided so you can positively identify the cases shafts and related parts It discusses available models parts options and gearbox cases Most important it shows how to completely disassemble the gearbox identify wear and damage select the best parts and complete the rebuild It also explains how to choose the ideal gear ratio for a particular application Various high performance and racing setups are also shown including essential modifications gun drilling the shafts cutting down the gears to remove weight and achieving race specific clearances Muncie 4 speeds need rebuilding after many miles of service and extreme use In addition when a muscle car owner builds a high performance engine that far exceeds stock horsepower a stronger high performance transmission must be built to accommodate this torque and horsepower increase No other book goes into this much detail on the identification of the Muncie 4 speed available parts selection of gear ratios and the rebuild process

Plymouth PowerFlite Transmission Service Manual Chrysler Corporation. Plymouth Division. Service Department,1964 **Jeep Component Service Manual** American Motors Corporation,Jeep Corporation,1986 *Workshop Manual for Model 45 Automatic Transmission* Chrysler United Kingdom Limited,1973 **Hudson Automatic Transmission Service Manual** Hudson Motor Car Company,1954* *Direct and General Support Maintenance Manual* ,1971 **AMC/Jeep Component Service Manual** American Motors Corporation,Jeep Corporation,Régie nationale des usines Renault,1986 **Trimatic Automatic Transmission Service Manual** ,1972

This Enthralling Realm of Kindle Books: A Comprehensive Guide Unveiling the Advantages of E-book Books: A Realm of Ease and Flexibility Kindle books, with their inherent mobility and ease of availability, have liberated readers from the limitations of hardcopy books. Gone are the days of lugging cumbersome novels or meticulously searching for particular titles in bookstores. Kindle devices, stylish and lightweight, seamlessly store an extensive library of books, allowing readers to immerse in their favorite reads anytime, anywhere. Whether commuting on a busy train, relaxing on a sun-kissed beach, or just cozying up in bed, Kindle books provide an exceptional level of convenience. A Reading World Unfolded: Discovering the Vast Array of Kindle Chrysler Ax5 Transmission Service Manual Chrysler Ax5 Transmission Service Manual The Kindle Store, a digital treasure trove of literary gems, boasts an extensive collection of books spanning diverse genres, catering to every readers taste and preference. From captivating fiction and thought-provoking non-fiction to classic classics and contemporary bestsellers, the E-book Store offers an unparalleled variety of titles to explore. Whether looking for escape through immersive tales of fantasy and exploration, delving into the depths of historical narratives, or expanding ones understanding with insightful works of scientific and philosophical, the E-book Shop provides a doorway to a literary universe brimming with limitless possibilities. A Game-changing Factor in the Bookish Landscape: The Persistent Impact of E-book Books Chrysler Ax5 Transmission Service Manual The advent of Kindle books has undoubtedly reshaped the bookish landscape, introducing a model shift in the way books are published, disseminated, and consumed. Traditional publication houses have embraced the online revolution, adapting their approaches to accommodate the growing demand for e-books. This has led to a rise in the accessibility of Kindle titles, ensuring that readers have access to a vast array of literary works at their fingers. Moreover, E-book books have equalized access to books, breaking down geographical limits and providing readers worldwide with similar opportunities to engage with the written word. Regardless of their location or socioeconomic background, individuals can now engross themselves in the intriguing world of books, fostering a global community of readers. Conclusion: Embracing the E-book Experience Chrysler Ax5 Transmission Service Manual Kindle books Chrysler Ax5 Transmission Service Manual, with their inherent convenience, flexibility, and wide array of titles, have unquestionably transformed the way we encounter literature. They offer readers the liberty to discover the boundless realm of written expression, anytime, anywhere. As we continue to navigate the ever-evolving digital scene, Kindle books stand as testament to the enduring power of storytelling, ensuring that the joy of reading remains accessible to all.

<https://yousky7.com/files/virtual-library/index.jsp/double%20replacement%20reactions%20laboratory%20manual.pdf>

Table of Contents Chrysler Ax5 Transmission Service Manual

1. Understanding the eBook Chrysler Ax5 Transmission Service Manual
 - The Rise of Digital Reading Chrysler Ax5 Transmission Service Manual
 - Advantages of eBooks Over Traditional Books
2. Identifying Chrysler Ax5 Transmission Service Manual
 - Exploring Different Genres
 - Considering Fiction vs. Non-Fiction
 - Determining Your Reading Goals
3. Choosing the Right eBook Platform
 - Popular eBook Platforms
 - Features to Look for in an Chrysler Ax5 Transmission Service Manual
 - User-Friendly Interface
4. Exploring eBook Recommendations from Chrysler Ax5 Transmission Service Manual
 - Personalized Recommendations
 - Chrysler Ax5 Transmission Service Manual User Reviews and Ratings
 - Chrysler Ax5 Transmission Service Manual and Bestseller Lists
5. Accessing Chrysler Ax5 Transmission Service Manual Free and Paid eBooks
 - Chrysler Ax5 Transmission Service Manual Public Domain eBooks
 - Chrysler Ax5 Transmission Service Manual eBook Subscription Services
 - Chrysler Ax5 Transmission Service Manual Budget-Friendly Options
6. Navigating Chrysler Ax5 Transmission Service Manual eBook Formats
 - ePub, PDF, MOBI, and More
 - Chrysler Ax5 Transmission Service Manual Compatibility with Devices
 - Chrysler Ax5 Transmission Service Manual Enhanced eBook Features
7. Enhancing Your Reading Experience
 - Adjustable Fonts and Text Sizes of Chrysler Ax5 Transmission Service Manual
 - Highlighting and Note-Taking Chrysler Ax5 Transmission Service Manual
 - Interactive Elements Chrysler Ax5 Transmission Service Manual
8. Staying Engaged with Chrysler Ax5 Transmission Service Manual

- Joining Online Reading Communities
 - Participating in Virtual Book Clubs
 - Following Authors and Publishers Chrysler Ax5 Transmission Service Manual
9. Balancing eBooks and Physical Books Chrysler Ax5 Transmission Service Manual
- Benefits of a Digital Library
 - Creating a Diverse Reading Collection Chrysler Ax5 Transmission Service Manual
10. Overcoming Reading Challenges
- Dealing with Digital Eye Strain
 - Minimizing Distractions
 - Managing Screen Time
11. Cultivating a Reading Routine Chrysler Ax5 Transmission Service Manual
- Setting Reading Goals Chrysler Ax5 Transmission Service Manual
 - Carving Out Dedicated Reading Time
12. Sourcing Reliable Information of Chrysler Ax5 Transmission Service Manual
- Fact-Checking eBook Content of Chrysler Ax5 Transmission Service Manual
 - Distinguishing Credible Sources
13. Promoting Lifelong Learning
- Utilizing eBooks for Skill Development
 - Exploring Educational eBooks
14. Embracing eBook Trends
- Integration of Multimedia Elements
 - Interactive and Gamified eBooks

Chrysler Ax5 Transmission Service Manual Introduction

Chrysler Ax5 Transmission Service Manual Offers over 60,000 free eBooks, including many classics that are in the public domain. Open Library: Provides access to over 1 million free eBooks, including classic literature and contemporary works. Chrysler Ax5 Transmission Service Manual Offers a vast collection of books, some of which are available for free as PDF downloads, particularly older books in the public domain. Chrysler Ax5 Transmission Service Manual : This website hosts a vast collection of scientific articles, books, and textbooks. While it operates in a legal gray area due to copyright issues, its a popular resource for finding various publications. Internet Archive for Chrysler Ax5 Transmission Service Manual : Has an

extensive collection of digital content, including books, articles, videos, and more. It has a massive library of free downloadable books. Free-eBooks Chrysler Ax5 Transmission Service Manual Offers a diverse range of free eBooks across various genres. Chrysler Ax5 Transmission Service Manual Focuses mainly on educational books, textbooks, and business books. It offers free PDF downloads for educational purposes. Chrysler Ax5 Transmission Service Manual Provides a large selection of free eBooks in different genres, which are available for download in various formats, including PDF. Finding specific Chrysler Ax5 Transmission Service Manual, especially related to Chrysler Ax5 Transmission Service Manual, might be challenging as they're often artistic creations rather than practical blueprints. However, you can explore the following steps to search for or create your own Online Searches: Look for websites, forums, or blogs dedicated to Chrysler Ax5 Transmission Service Manual, Sometimes enthusiasts share their designs or concepts in PDF format. Books and Magazines Some Chrysler Ax5 Transmission Service Manual books or magazines might include. Look for these in online stores or libraries. Remember that while Chrysler Ax5 Transmission Service Manual, sharing copyrighted material without permission is not legal. Always ensure you're either creating your own or obtaining them from legitimate sources that allow sharing and downloading. Library Check if your local library offers eBook lending services. Many libraries have digital catalogs where you can borrow Chrysler Ax5 Transmission Service Manual eBooks for free, including popular titles. Online Retailers: Websites like Amazon, Google Books, or Apple Books often sell eBooks. Sometimes, authors or publishers offer promotions or free periods for certain books. Authors Website Occasionally, authors provide excerpts or short stories for free on their websites. While this might not be the Chrysler Ax5 Transmission Service Manual full book, it can give you a taste of the author's writing style. Subscription Services Platforms like Kindle Unlimited or Scribd offer subscription-based access to a wide range of Chrysler Ax5 Transmission Service Manual eBooks, including some popular titles.

FAQs About Chrysler Ax5 Transmission Service Manual Books

What is a Chrysler Ax5 Transmission Service Manual PDF? A PDF (Portable Document Format) is a file format developed by Adobe that preserves the layout and formatting of a document, regardless of the software, hardware, or operating system used to view or print it. **How do I create a Chrysler Ax5 Transmission Service Manual PDF?** There are several ways to create a PDF: Use software like Adobe Acrobat, Microsoft Word, or Google Docs, which often have built-in PDF creation tools. Print to PDF: Many applications and operating systems have a "Print to PDF" option that allows you to save a document as a PDF file instead of printing it on paper. Online converters: There are various online tools that can convert different file types to PDF. **How do I edit a Chrysler Ax5 Transmission Service Manual PDF?** Editing a PDF can be done with software like Adobe Acrobat, which allows direct editing of text, images, and other elements within the PDF.

Some free tools, like PDFescape or Smallpdf, also offer basic editing capabilities. **How do I convert a Chrysler Ax5 Transmission Service Manual PDF to another file format?** There are multiple ways to convert a PDF to another format: Use online converters like Smallpdf, Zamzar, or Adobe Acrobat's export feature to convert PDFs to formats like Word, Excel, JPEG, etc. Software like Adobe Acrobat, Microsoft Word, or other PDF editors may have options to export or save PDFs in different formats. **How do I password-protect a Chrysler Ax5 Transmission Service Manual PDF?** Most PDF editing software allows you to add password protection. In Adobe Acrobat, for instance, you can go to "File" -> "Properties" -> "Security" to set a password to restrict access or editing capabilities. Are there any free alternatives to Adobe Acrobat for working with PDFs? Yes, there are many free alternatives for working with PDFs, such as: LibreOffice: Offers PDF editing features. PDFsam: Allows splitting, merging, and editing PDFs. Foxit Reader: Provides basic PDF viewing and editing capabilities. How do I compress a PDF file? You can use online tools like Smallpdf, I Love PDF, or desktop software like Adobe Acrobat to compress PDF files without significant quality loss. Compression reduces the file size, making it easier to share and download. Can I fill out forms in a PDF file? Yes, most PDF viewers/editors like Adobe Acrobat, Preview (on Mac), or various online tools allow you to fill out forms in PDF files by selecting text fields and entering information. Are there any restrictions when working with PDFs? Some PDFs might have restrictions set by their creator, such as password protection, editing restrictions, or print restrictions. Breaking these restrictions might require specific software or tools, which may or may not be legal depending on the circumstances and local laws.

Find Chrysler Ax5 Transmission Service Manual :

double replacement reactions laboratory manual

dorf 7th solutions manual

dracula dover thrift editions

donmace cmswiki wikispaces net

dragon recorder user manual

don t move

~~dr john winglock ng s southern golden snake style~~

doughboy mm1600 manual

dotnetnuke developers guide

drager ventilator savina 300 manual

drager isolette service manual c550

~~dragonball z character guide b~~

[drag line maintenance manual](#)

doulton figurine price guide

[dot point wace chemistry](#)

Chrysler Ax5 Transmission Service Manual :

[neulich im discounter hilfe ich bin im einkaufswagen gefangen](#) - Nov 25 2021

web may 26th 2020 buch neulich im discounter hilfe ich bin im einkaufswagen gefangen meine absurdesten erlebnisse mit kunden hilfe prophete trio motor läuft seit gründlicher

neulich im discounter hilfe ich bin im einkaufswagen gefangen - Dec 27 2021

web neulich im discounter hilfe ich bin im einkaufswagen gefangen meine absurdesten erlebnisse mit kunden klein christian isbn 9783862655335 kostenloser versand für alle

[neulich im discounter hilfe ich bin im einkaufswa pdf pdf](#) - May 12 2023

web neulich im discounter christian klein taschenbuch deutsch de kundenrezensionen neulich im discounter hilfe neulich im discounter öffentliche bh anprobe was ein

neulich im discounter hilfe ich bin im einkaufswa - Jul 02 2022

web may 28 2023 period for their favorite books later than this neulich im discounter hilfe ich bin im einkaufswa but end occurring in harmful downloads rather than enjoying a fine

neulich im discounter hilfe ich bin im einkaufswa pdf free - Jun 13 2023

web kindly say the neulich im discounter hilfe ich bin im einkaufswa pdf is universally compatible with any devices to read the making of a european public sphere ruud

einkauf deutsch türkisch Übersetzung pons - Jan 08 2023

web türkisch der einzelhandelskaufmann noun m perakende erkek satış elemanı noun der einzelhandelskaufmann noun m perakendeci erkek tacir

neulich im discounter hilfe ich bin im einkaufswagen gefangen - Nov 06 2022

web neulich im discounter hilfe ich bin im einkaufswa 1 9 downloaded from uniport edu ng on september 1 2023 by guest neulich im discounter hilfe ich bin im einkaufswa

neulich im discounter hilfe ich bin im einkaufswagen gefangen - Feb 26 2022

web manage to pay for neulich im discounter hilfe ich bin im einkaufswa and numerous books collections from fictions to scientific research in any way in the midst of them is

[neulich im discounter hilfe ich bin im](#) - Aug 15 2023

web neulich im discounter buch jetzt bei weltbild ch online neulich beim discounter emmerich am rhein hilfe ich bin süchtig nach zucker brigitte neulich im wollladen piba dreams

neulich im discounter hilfe ich bin im einkaufswa pdf uniport edu - Aug 03 2022

web 4 neulich im discounter hilfe ich bin im einkaufswa 2019 07 12 although these are more easily learned because of the association of the meaning to a single word the

neulich im discounter hilfe ich bin im einkaufswa - Sep 04 2022

web apr 30 2023 neulich im discounter hilfe ich bin im einkaufswa 2 8 downloaded from uniport edu ng on april 30 2023 by guest neulich im discounter christian klein 2016

neulich im discounter hilfe ich bin im einkaufswagen gefangen - Oct 25 2021

web Übersetzung deutsch türkisch für einzelhandel im pons online wörterbuch nachschlagen gratis vokabeltrainer verbtabellen aussprachefunktion gefolgt vom

neulich im discounter hilfe ich bin im einkaufswa copy - Feb 09 2023

web Übersetzung deutsch türkisch für einkauf im pons online wörterbuch nachschlagen gratis vokabeltrainer verbtabellen aussprachefunktion

neulich im discounter hilfe ich bin im einkaufswagen gefangen - Apr 11 2023

web entdecken sie neulich im discounter hilfe ich bin im einkaufswa buch zustand sehr gut in der großen auswahl bei ebay kostenlose lieferung für viele artikel

einzelhandelskaufmann auf türkisch übersetzen deutsch - Dec 07 2022

web jun 11 2023 neulich im discounter hilfe ich bin im einkaufswagen gefangen meine absurdesten erlebnisse mit kunden by christian klein neulich im mediamarkt

neulich im discounter hilfe ich bin im einkaufswa uniport edu - Oct 05 2022

web neulich im discounter hilfe ich bin im einkaufswa 3 3 afternoon an event that is to shatter their lives after the russians invade and the family is forced to flee to america

neulich im discounter hilfe ich bin im einkaufswagen gefangen - Jul 14 2023

web neulich im discounter hilfe ich bin im einkaufswa pdf introduction neulich im discounter hilfe ich bin im einkaufswa pdf free daz 4 zoe robert swindells 2002

neulich im discounter hilfe ich bin im einkaufswa buch - Mar 10 2023

web neulich im discounter hilfe ich bin im einkaufswa the concise cinegraph apr 01 2021 this comprehensive guide is an ideal reference work for film specialists and enthusiasts

neulich im discounter hilfe ich bin im einkaufswa pdf - Jun 01 2022

web dec 8 2022 [neulich im discounter hilfe ich bin im einkaufswa 1 10](#) downloaded from kelliemay com on december 8 2022
by guest [neulich im discounter hilfe ich bin im](#)

[neulich im discounter hilfe ich bin im einkaufswa luciano](#) - Jan 28 2022

web jun 2 2023 [neulich im discounter hilfe ich bin im einkaufswagen gefangen meine absurdesten erlebnisse mit kunden](#) by christian klein einmal beim einkauf in einem

[neulich im discounter hilfe ich bin im einkaufswa pdf kelliemay](#) - Apr 30 2022

web studiwork steht dir in ganz deutschland und Österreich rund um die uhr zur verfügung z b auch in einkaufshilfe
einkaufsservice in hamburg einkaufshilfe

einzelhandel deutsch türkisch Übersetzung pons - Sep 23 2021

einkaufshilfe in düsseldorf studiwork studentenvermittlung - Mar 30 2022

web [neulich im discounter hilfe ich bin im einkaufswagen gefangen meine absurdesten erlebnisse mit kunden](#) by christian klein may 12th 2020 zu dieser gruppe gehört auch

learning serbian journal and notebook a modern re pdf - Sep 03 2022

web may 31 2023 you may not be perplexed to enjoy every ebook collections learning serbian journal and notebook a modern re that we will no question offer it is not in this area

learning serbian journal and notebook a modern re wrbb neu - Dec 06 2022

web 4 learning serbian journal and notebook a modern re 2020 09 21 assessment of learning journals and reflective writing the use of narrative and story telling techniques

learning serbian journal and notebook a modern re wrbb neu - Oct 04 2022

web learning serbian journal and notebook a modern re colleague that we meet the expense of here and check out the link you could purchase guide learning serbian

[learning serbian journal and notebook a modern re](#) - Aug 02 2022

web aug 24 2023 there are plenty of serbian learning apps available 1 ling ling is a chatbox with a beautiful interface its method is based on frequent repetition and

learning serbian journal and notebook a modern resource - May 11 2023

web buy learning serbian journal and notebook a modern resource note book for beginners and students that learn to speak and write serbian by language publishing

[learning serbian journal and notebook a modern re pdf](#) - Jun 12 2023

web learning serbian journal and notebook a modern resource note book for beginners and students that learn to speak and

write serbian by language publishing the

9 best books to learn serbian for beginners in 2023 - Jan 27 2022

web all you need to learn serbian online self study serbian language courses and live lessons with a world class teacher still you too are invited to join us on our new website

serbian courses serbian language courses made with love - Dec 26 2021

web may 27 2023 serbian journal and notebook a modern re is reachable in our digital library an online entry to it is set as public correspondingly you can download it instantly

learning serbian journal and notebook a modern resource note - Jul 13 2023

web jun 29 2023 learning serbian journal and notebook a modern re 1 13 downloaded from uniport edu ng on june 29 2023 by guest learning serbian journal and

learning serbian journal and notebook a modern re pdf - May 31 2022

web this learning serbian journal and notebook a modern re as one of the most enthusiastic sellers here will unquestionably be in the course of the best options to review 2

learning serbian journal and notebook a modern re pdf - Jan 07 2023

web learning serbian journal and notebook a modern re eventually you will utterly discover a other experience and completion by spending more cash still when attain

learning serbian journal and notebook a modern resource note - Apr 10 2023

web abebooks com learning serbian journal and notebook a modern resource note book for beginners and students that learn to speak and write serbian 9781091109155 by

learning serbian journal and notebook a modern re mary - Apr 29 2022

web learning serbian journal and notebook a modern re downloaded from reports budgetbakers com by guest amy phillips learning serbian with most

learning serbian journal and notebook a modern re - Nov 05 2022

web as this learning serbian journal and notebook a modern re it ends stirring subconscious one of the favored book learning serbian journal and notebook a

learning serbian journal and notebook a modern re copy - Feb 25 2022

web may 12 2023 increases difficulty as you progress includes tips and answers to most common problems comes with two cds 2 learn serbian quick easy efficient

learn serbian 30 apps books podcasts courses and other - Jul 01 2022

web apr 23 2023 learning serbian journal and notebook a modern re 2 9 downloaded from uniport edu ng on april 23 2023

by guest images in context today this book illustrates

learning serbian journal and notebook a modern resource note - Mar 09 2023

web learning serbian journal and notebook a modern re eventually you will very discover a supplementary experience and finishing by spending more cash learning serbian

learning serbian journal and notebook a modern re copy - Oct 24 2021

web may 23 2023 learning serbian journal and notebook a modern re 2 10 downloaded from uniport edu ng on may 23 2023 by guest death and of which this volume is a

learning serbian journal and notebook a modern re - Nov 24 2021

web may 8 2023 learning serbian journal and notebook a modern re 2 10 downloaded from uniport edu ng on may 8 2023 by guest understand global frameworks of identity

learning serbian journal and notebook a modern - Aug 14 2023

web buy learning serbian journal and notebook a modern resource note book for beginners and students that learn to speak and write serbian by publishing language

learning serbian journal and notebook a modern re james a - Feb 08 2023

web apr 4 2023 right here we have countless books learning serbian journal and notebook a modern re and collections to check out we additionally offer variant types and next

learning serbian journal and notebook a modern re pdf - Mar 29 2022

web mar 12 2023 learning serbian journal and notebook a modern re is available in our book collection an online access to it is set as public so you can get it instantly our

learning serbian journal and notebook a modern re - Sep 22 2021

car rental agreement template pandadoc - Sep 03 2023

web car rental agreement template 1 identification of rental vehicle 2 rental term the term of this car rental agreement runs from the date and hour of vehicle pickup as indicated just 3 scope of use renter will use the rented vehicle only for personal or routine business use and operate the

free car rental agreement template to help you win more clients - May 31 2023

web a car rental agreement is essentially a contract between you and the car rental business it explains the rights and responsibilities of both parties involved in renting a vehicle the agreement will include details such as what type of vehicle you are renting how long you will have the car when it needs to be returned any additional fees or

rental agreement read our terms and conditions here - Oct 04 2023

web jun 20 2018 any amount due or owing the owner by the hirer and any additional charge payable pursuant to the terms of this agreement the hirer shall not be entitled to deduct or offset any outstanding rental charges or any other amount payable by him during this agreement from the deposit vehicle repairs

rental agreement drive lah - Apr 29 2023

web rental agreement this rental agreement is entered into between the host and the guest each a party and collectively the parties for the rental of the vehicle on the following terms and conditions

vehicle rental agreement period of rental payments lion city rentals - Jul 01 2023

web vehicle rental agreement 1 period of rental 1 1 the owner shall lease to the hirer and the hirer shall rent from the owner the vehicle on and as from the commencement date and for the duration of the rental period on the terms and conditions set out in the agreement 2 deposit

rental agreement motorway car rentals - Feb 25 2023

web rental agreement this rental agreement is made between motorway car rentals pte ltd hereinafter referred to as the owner and the hirer whose particulars and signature appear overleaf hereinafter referred to as the hirer is subject to all the terms and conditions herein provided

aod car rental agreement - Jan 27 2023

web monthly car rental agreement the following terms and conditions together with the car rental confirmation email constitute the car rental service contract agreement by and between you and premium automobiles pte ltd the company operating the audi on demand business with respect to the use of the vehicle identified on the

38 free car rental agreements forms *templatelab* - Aug 02 2023

web when writing the car hire agreement including the following details details of the car the vehicle rental agreement should capture the details of your car in the first paragraph of the terms of rent generally the rental duration starts from the day and hour you sign the agreement with the

car rental agreements the basics rentcarsingapore - Dec 26 2022

web your car rental agreement or car rental contract is more than just bunch of papers that you have to carry around in the glove compartment of your rental car it s a binding legal contract that spells out all the terms and conditions of your car rental

car rental agreement template smallpdf - Mar 29 2023

web a simple easy to fill car rental agreement template that s customizable you can edit all fields sign electronically then download done in minutes