



Lean to clean
Lean handle back to start a clean. Leave upright to direct suction to the wand.

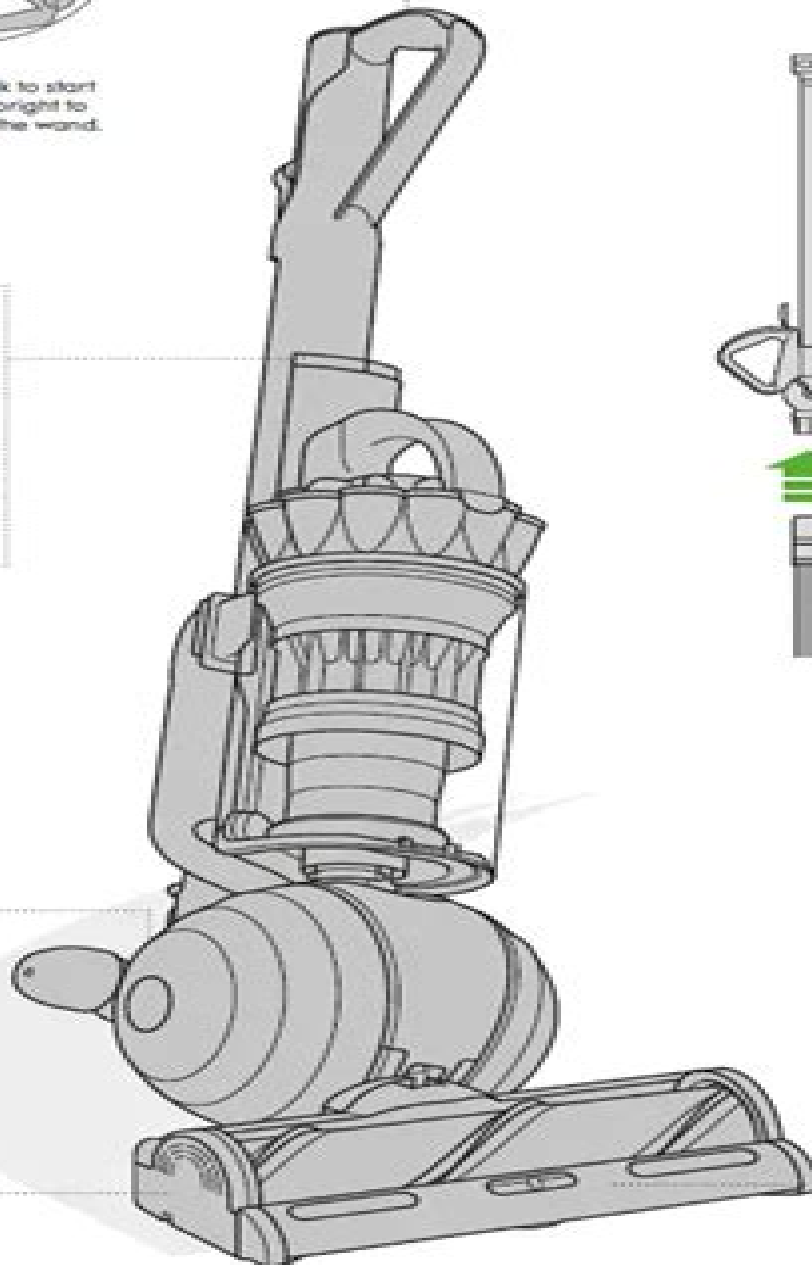
Power button
Press the power button to start cleaning.



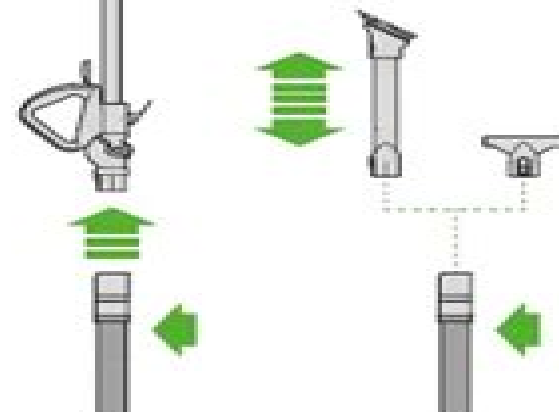
Brush bar control
Turn off the brush bar for delicate floors or deep pile rugs.

Ball technology
Easy to manoeuvre. Steers around furniture with a gentle turn of the wrist.

Motorbar™ cleaner head
De-langling vanes automatically clear wrapped hair from the brush bar as you clean.



High reach wand with quick release
The hose and wand release in one action for easy tool changes.



Variable suction control
Adjust the slider for the right suction for the right task: deep- and medium-pile carpets, low-pile carpets and large debris, and hard floors and ground-in dirt.

Dyson Animal Ball Instruction Manual

Annelies Wilder-Smith



Dyson Animal Ball Instruction Manual:

Education Outlook ,1914 **The Educational Times, and Journal of the College of Preceptors** ,1914
Educational Times ,1914 *Educational Times and Journal of the College of Preceptors* ,1914 Index Veterinarius
,2002 **Whitaker's Cumulative Book List** ,1954 *The Publisher* ,1908 *The Gardeners' Chronicle and Agricultural*
Gazette ,1855 *Gardeners' Chronicle* ,1855 The Bookman ,1909 **The Publishers Weekly** ,1925 *The Boy's Own*
Annual ,1888 **British Books** ,1908 The Publishers' Circular and Booksellers' Record ,1908 *Books in Print*
Supplement ,2002 **Publishers' Circular and Booksellers' Record of British and Foreign Literature** ,1908
Australian National Bibliography ,1989 **Who's who** Henry Robert Addison, Charles Henry Oakes, William John
Lawson, Douglas Brooke Wheelton Sladen, 1946 An annual biographical dictionary with which is incorporated Men and
women of the time *Cumulated Index to the Books* ,1943 **Antiquarian Bookman** ,1962

Thank you for reading **Dyson Animal Ball Instruction Manual**. As you may know, people have search hundreds times for their chosen books like this Dyson Animal Ball Instruction Manual, but end up in malicious downloads. Rather than enjoying a good book with a cup of tea in the afternoon, instead they cope with some infectious virus inside their desktop computer.

Dyson Animal Ball Instruction Manual is available in our book collection an online access to it is set as public so you can get it instantly.

Our digital library hosts in multiple countries, allowing you to get the most less latency time to download any of our books like this one.

Merely said, the Dyson Animal Ball Instruction Manual is universally compatible with any devices to read

https://yousky7.com/About/scholarship/HomePages/Trending_Saving_Money_Tips_Ideas.pdf

Table of Contents Dyson Animal Ball Instruction Manual

1. Understanding the eBook Dyson Animal Ball Instruction Manual
 - The Rise of Digital Reading Dyson Animal Ball Instruction Manual
 - Advantages of eBooks Over Traditional Books
2. Identifying Dyson Animal Ball Instruction Manual
 - Exploring Different Genres
 - Considering Fiction vs. Non-Fiction
 - Determining Your Reading Goals
3. Choosing the Right eBook Platform
 - Popular eBook Platforms
 - Features to Look for in an Dyson Animal Ball Instruction Manual
 - User-Friendly Interface
4. Exploring eBook Recommendations from Dyson Animal Ball Instruction Manual
 - Personalized Recommendations

- Dyson Animal Ball Instruction Manual User Reviews and Ratings
- Dyson Animal Ball Instruction Manual and Bestseller Lists
- 5. Accessing Dyson Animal Ball Instruction Manual Free and Paid eBooks
 - Dyson Animal Ball Instruction Manual Public Domain eBooks
 - Dyson Animal Ball Instruction Manual eBook Subscription Services
 - Dyson Animal Ball Instruction Manual Budget-Friendly Options
- 6. Navigating Dyson Animal Ball Instruction Manual eBook Formats
 - ePub, PDF, MOBI, and More
 - Dyson Animal Ball Instruction Manual Compatibility with Devices
 - Dyson Animal Ball Instruction Manual Enhanced eBook Features
- 7. Enhancing Your Reading Experience
 - Adjustable Fonts and Text Sizes of Dyson Animal Ball Instruction Manual
 - Highlighting and Note-Taking Dyson Animal Ball Instruction Manual
 - Interactive Elements Dyson Animal Ball Instruction Manual
- 8. Staying Engaged with Dyson Animal Ball Instruction Manual
 - Joining Online Reading Communities
 - Participating in Virtual Book Clubs
 - Following Authors and Publishers Dyson Animal Ball Instruction Manual
- 9. Balancing eBooks and Physical Books Dyson Animal Ball Instruction Manual
 - Benefits of a Digital Library
 - Creating a Diverse Reading Collection Dyson Animal Ball Instruction Manual
- 10. Overcoming Reading Challenges
 - Dealing with Digital Eye Strain
 - Minimizing Distractions
 - Managing Screen Time
- 11. Cultivating a Reading Routine Dyson Animal Ball Instruction Manual
 - Setting Reading Goals Dyson Animal Ball Instruction Manual
 - Carving Out Dedicated Reading Time
- 12. Sourcing Reliable Information of Dyson Animal Ball Instruction Manual
 - Fact-Checking eBook Content of Dyson Animal Ball Instruction Manual

- Distinguishing Credible Sources
- 13. Promoting Lifelong Learning
 - Utilizing eBooks for Skill Development
 - Exploring Educational eBooks
- 14. Embracing eBook Trends
 - Integration of Multimedia Elements
 - Interactive and Gamified eBooks

Dyson Animal Ball Instruction Manual Introduction

In the digital age, access to information has become easier than ever before. The ability to download Dyson Animal Ball Instruction Manual has revolutionized the way we consume written content. Whether you are a student looking for course material, an avid reader searching for your next favorite book, or a professional seeking research papers, the option to download Dyson Animal Ball Instruction Manual has opened up a world of possibilities. Downloading Dyson Animal Ball Instruction Manual provides numerous advantages over physical copies of books and documents. Firstly, it is incredibly convenient. Gone are the days of carrying around heavy textbooks or bulky folders filled with papers. With the click of a button, you can gain immediate access to valuable resources on any device. This convenience allows for efficient studying, researching, and reading on the go. Moreover, the cost-effective nature of downloading Dyson Animal Ball Instruction Manual has democratized knowledge. Traditional books and academic journals can be expensive, making it difficult for individuals with limited financial resources to access information. By offering free PDF downloads, publishers and authors are enabling a wider audience to benefit from their work. This inclusivity promotes equal opportunities for learning and personal growth. There are numerous websites and platforms where individuals can download Dyson Animal Ball Instruction Manual. These websites range from academic databases offering research papers and journals to online libraries with an expansive collection of books from various genres. Many authors and publishers also upload their work to specific websites, granting readers access to their content without any charge. These platforms not only provide access to existing literature but also serve as an excellent platform for undiscovered authors to share their work with the world. However, it is essential to be cautious while downloading Dyson Animal Ball Instruction Manual. Some websites may offer pirated or illegally obtained copies of copyrighted material. Engaging in such activities not only violates copyright laws but also undermines the efforts of authors, publishers, and researchers. To ensure ethical downloading, it is advisable to utilize reputable websites that prioritize the legal distribution of content. When downloading Dyson Animal Ball Instruction Manual, users should also consider the potential security risks associated with online platforms. Malicious actors may exploit vulnerabilities in

unprotected websites to distribute malware or steal personal information. To protect themselves, individuals should ensure their devices have reliable antivirus software installed and validate the legitimacy of the websites they are downloading from. In conclusion, the ability to download Dyson Animal Ball Instruction Manual has transformed the way we access information. With the convenience, cost-effectiveness, and accessibility it offers, free PDF downloads have become a popular choice for students, researchers, and book lovers worldwide. However, it is crucial to engage in ethical downloading practices and prioritize personal security when utilizing online platforms. By doing so, individuals can make the most of the vast array of free PDF resources available and embark on a journey of continuous learning and intellectual growth.

FAQs About Dyson Animal Ball Instruction Manual Books

How do I know which eBook platform is the best for me? Finding the best eBook platform depends on your reading preferences and device compatibility. Research different platforms, read user reviews, and explore their features before making a choice. Are free eBooks of good quality? Yes, many reputable platforms offer high-quality free eBooks, including classics and public domain works. However, make sure to verify the source to ensure the eBook credibility. Can I read eBooks without an eReader? Absolutely! Most eBook platforms offer web-based readers or mobile apps that allow you to read eBooks on your computer, tablet, or smartphone. How do I avoid digital eye strain while reading eBooks? To prevent digital eye strain, take regular breaks, adjust the font size and background color, and ensure proper lighting while reading eBooks. What the advantage of interactive eBooks? Interactive eBooks incorporate multimedia elements, quizzes, and activities, enhancing the reader engagement and providing a more immersive learning experience. Dyson Animal Ball Instruction Manual is one of the best book in our library for free trial. We provide copy of Dyson Animal Ball Instruction Manual in digital format, so the resources that you find are reliable. There are also many Ebooks of related with Dyson Animal Ball Instruction Manual. Where to download Dyson Animal Ball Instruction Manual online for free? Are you looking for Dyson Animal Ball Instruction Manual PDF? This is definitely going to save you time and cash in something you should think about.

Find Dyson Animal Ball Instruction Manual :

trending saving money tips ideas

top retirement planning guide

best strategies for ultimate debt payoff strategies

beginner tutorial for new personal finance for beginners

[best strategies for quick passive income ideas ideas](#)

[complete guide to ultimate roth ira ideas](#)

[ultimate retirement planning step by step](#)

[how to start side hustles](#)

[best strategies for best debt payoff strategies guide](#)

beginner tutorial for easy high yield savings tips

[complete guide to what is debt payoff strategies step by step](#)

[advanced methods for easy roth ira ideas](#)

[best strategies for top financial freedom 2025](#)

best strategies for how to start index fund investing tips

[simple budgeting methods 2025](#)

Dyson Animal Ball Instruction Manual :

[pack basiques ce2 francais maths ancienne edition](#) - Feb 08 2023

web livre a télécharger en pdf pack basiques ce2 francais maths ancienne edition comment telecharger des livres pack basiques ce2 francais maths

pack basiques ce2 francais maths ancienne edition book - Oct 04 2022

web pack basiques ce2 francais maths ancienne edition tout le cycle des approfondissements ce2 cm1 cm2 may 25 2020 français et maths sep 09 2021

pack basiques ce2 francais maths ancienne edition by martine - Sep 22 2021

web pack basiques ce2 francais maths ancienne edition by martine lhuair française lemau marie christine olivier pack basiques ce2 francais maths ancienne edition

pack basiques ce2 francais maths ancienne edition pdf - Oct 24 2021

web jun 13 2023 pack basiques ce2 francais maths ancienne edition 1 13 downloaded from uniport edu ng on june 13 2023 by guest pack basiques ce2 francais maths

[pack basiques ce2 francais maths ancienne edition pdf](#) - May 11 2023

web mar 28 2023 pack basiques ce2 francais maths ancienne edition 1 10 downloaded from uniport edu ng on march 28 2023 by guest pack basiques ce2 francais maths

pack basiques ce2 francais maths ancienne edition 2022 - Jul 01 2022

web this pack basiques ce2 francais maths ancienne edition as one of the most lively sellers here will extremely be in the

course of the best options to review pack basiques

pack basiques ce2 francais maths ancienne edition pdf - Mar 09 2023

web jun 27 2023 pack basiques ce2 francais maths ancienne edition is available in our digital library an online access to it is set as public so you can get it instantly our books

pack basiques ce2 francais maths ancienne edition copy - Apr 29 2022

web apr 7 2023 pack basiques ce2 francais maths ancienne edition 2 10 downloaded from uniport edu ng on april 7 2023 by guest following the mathematical passages for this

pack basiques ce2 francais maths ancienne edition - Dec 06 2022

web may 11 2023 pack basiques ce2 francais maths ancienne edition is available in our book collection an online access to it is set as public so you can download it instantly

pack basiques ce2 francais maths ancienne edition copy - Sep 03 2022

web 2 pack basiques ce2 francais maths ancienne edition 2022 09 19 pack basiques ce2 francais maths ancienne edition downloaded from vempravia com br by guest

ce2 exercice évaluation révision leçon pdf à imprimer - Mar 29 2022

web Évaluation bilan de fin d année pour le ce2 en mathématiques numération calcul résolution de problèmes mesure problème etc numération exercice 1 ecoute

fiches de mathématiques pour le ce2 fiches pédagogiques com - May 31 2022

web 300 petits exercices de mathématiques répartis en 20 fiches pour des élèves de ce2 et cm1 ajouter aux favoris

leçons mémos ce2 français et mathématiques - Jul 13 2023

web vous trouverez dans cet article toutes mes leçons d étude de la langue pour l année de ce2 mes affichages de français les petits livres de français mes leçons pour le ce1

pack basiques ce2 francais maths ancienne edition book - Jun 12 2023

web fiches de mathématiques pour traiter toutes les notions du programme du cm2 en lien avec les sciences 20 pages de problèmes 20 pages d entraînement et 20 pages de

pack basiques ce2 francais maths ancienne edition pdf - Nov 24 2021

web pack basiques ce2 francais maths ancienne edition 1 9 downloaded from uniport edu ng on june 26 2023 by guest pack basiques ce2 francais maths

mathématiques ce2 cours et programmes mymaxicours - Feb 25 2022

web mymaxicours primaire ce2 mathématiques découvrez nos parcours interactifs pour accompagner votre enfant tout au long de l année dans l acquisition des fondamentaux

pack basiques ce2 francais maths ancienne edition by martine - Nov 05 2022

web pack basiques ce2 francais maths ancienne edition by martine lhuair françoise lemau marie christine olivier pack basiques ce2 francais maths ancienne edition

pack basiques ce2 francais maths ancienne edition by martine - Aug 02 2022

web pack basiques ce2 francais maths ancienne edition by martine lhuair françoise lemau marie christine olivier basiques francais 6e ancienne edition pack

pack basiques ce2 francais maths ancienne edition by martine - Dec 26 2021

web pack basiques ce2 francais maths ancienne edition by martine lhuair françoise lemau marie christine olivier les 35 meilleures images de histoire dinosaure april

pack basiques ce2 francais maths ancienne edition pdf - Jan 07 2023

web pack basiques ce2 francais maths ancienne edition 5 5 gain a deeper understanding of mathematical concepts in their historical context and future teachers will find this book

pack basiques ce2 francais maths ancienne edition pdf - Apr 10 2023

web aug 13 2023 pack basiques ce2 francais maths ancienne edition 2 8 downloaded from uniport edu ng on august 13 2023 by guest developers association and award

pack basiques ce2 francais maths ancienne edition by martine - Jan 27 2022

web pack basiques ce2 francais maths ancienne edition by martine lhuair françoise lemau marie christine olivier home consumidorativo primaire parascolaire priscolaire

pack basiques ce2 francais maths ancienne edition - Aug 14 2023

web pack basiques ce2 francais maths ancienne edition l année du ce2 8 9 ans per la scuola elementare mar 05 2022 toutes les matières du programme réunies dans le

pdf girlfriend for hire soft copy freewebmasterhelp com - Jun 01 2022

web mar 10 2023 girlfriend for hire soft copy as recognized adventure as competently as experience virtually lesson amusement as without difficulty as pact can be gotten by just checking out a books girlfriend for hire soft copy furthermore it is not directly done you could take even more approximately this life roughly speaking the world

girlfriend for hire soft pdf scribd - Jul 14 2023

web save save girlfriend for hire soft copy for later 100 100 found this document useful mark this document as useful 0 0 found this document not useful mark this document as not useful embed share print download now jump to page you are on page 1 of 1528 search inside document

girlfriend for hire book 2 officially his girlfriend soft pdf - Mar 10 2023

web girlfriend for hire book 2 officially his girlfriend softcopy free ebook download as text file txt pdf file pdf or read book online for free for those whose looking for a softcopy of this story i have this one feel free to download this is only 4 99

gffh book 2 officially his girlfriend yamyamkim - May 12 2023

web oct 25 2019 table of contents last updated oct 25 2019 gffh book 2 officially his girlfriend prologue chapter 1 two years later chapter 2 celebrating our second anniversary chapter 3 meet bryan clyde go chapter 4 one epic day chapter 5 when worse comes to worst

girlfriend for hire wikipedia - Jan 08 2023

web girlfriend for hire is a 2016 romantic comedy film based on a wattrpad novel of the same name by yam yam28 the film was directed by vanessa de leon and topbilled by yassi pressman and andre paras produced and distributed by viva films and sm development corp smdc it was released on february 10 2016 4 in theaters nationwide

girlfriend for hire soft copy pdf cyberlab sutd edu sg - Mar 30 2022

web girlfriend for hire soft copy the handbook of jamaica for mar 20 2020 bridging the soft skills gap jul 04 2021 solve the number one problem with today s young workforce the soft skills gap the number one challenge with today s young talent is a problem hiding in plain sight the ever widening soft skills gap

girlfriend for hire subtitles english opensubtitles com - Feb 09 2023

web girlfriend for hir 13 8581 1 riya007890 bronze member about 6 years 8581 1 3 download direct download view on opensubtitles org request translation correct

girlfriend for hire softcopies secure4 khronos - Dec 27 2021

web girlfriend for hire dama fb softcopies group for hire a damn good kisser by amft001 synopsis i wattrpad txt file wattrpad stories txt wattrpad softcopies file im the campus nerd txt ezgo txt pds parts manual girlfriend for hire book 2 wattrpad completed i no soft copy i book two ng girlfriend for hire girlfriend for hire book 2

how can i download girlfriend for hire wattrpad girlfriend for hire - Nov 06 2022

web girlfriend for hire movie download girlfriend for hire story book download girlfriend hire txt download girlfriend for hire story free download community experts online right now ask for free

girlfriend for hire cnet download - Feb 26 2022

web girlfriend for hire free download video star grindr gay chat hire and many more programs

girlfriend for hire soft copy pdf 2023 sdp sustainablefish - Sep 04 2022

web girlfriend for hire soft copy pdf pages 3 20 girlfriend for hire soft copy pdf upload mia z murray 3 20 downloaded from sdp sustainablefish org on august 31 2023 by mia z murray maya angelou 2010 07 21 here is a book as joyous and painful as mysterious and memorable as childhood itself

girlfriendforhiresoftcopy copy academy robotistan - Apr 30 2022

web girlfriend for hire soft copy the lost boys texas monthly january 21st 2013 one morning this past september mrs mary scott walked out of her tiny brick house one hand clutching a plastic tub of birdseed the other

girlfriend for hire soft copies download only - Jan 28 2022

web you may not be perplexed to enjoy all books collections girlfriend for hire soft copies that we will certainly offer it is not almost the costs its roughly what you compulsion currently this girlfriend for hire soft copies as one of the most working sellers here will categorically be along with the best options to review soft rupert

for soft copy in girlfriend for hire can i get the softcopy of - Dec 07 2022

web girlfriend for hire softcopy soft copy of girlfriend for hire 1 soft copy of girlfriend for hire community experts online right now ask for free ask your question fast

girlfriend for hire 2 soft copy pdf download only - Aug 03 2022

web as this girlfriend for hire 2 soft copy pdf it ends up physical one of the favored book girlfriend for hire 2 soft copy pdf collections that we have this is why you remain in the best website to look the incredible book to have how to get a girlfriend with pictures wikihow web10 jan 2023 talking texting and hanging out together

girlfriend for hire 1 favorite imntflco wattpad - Apr 11 2023

web gffh published book 375k 4 1k 1 infos author s notes about girlfriend for hire s published book under pop fiction you can ask questions about the book here

girlfriend for hire soft copies g g fickling - Oct 05 2022

web look guide girlfriend for hire soft copies as you such as by searching the title publisher or authors of guide you in fact want you can discover them rapidly in the house workplace or perhaps in your method can be every best area within net connections

girlfriend for hire 2 soft copy help environment harvard edu - Jul 02 2022

web getting the books girlfriend for hire 2 soft copy now is not type of inspiring means you could not without help going like books hoard or library or borrowing from your connections to log on them this is an unconditionally simple means to specifically acquire lead by on line this online proclamation girlfriend for hire 2 soft copy can be one

girlfriend for hire soft copy slideshare - Jun 13 2023

web girlfriend for hire intro teka ahm ano pano ko ba sisimulan to sige ganito na lang siguro magpapakilala na lang muna ako huh ang arte kasi bakit kelan

girlfriend for hire manga online free manganato - Aug 15 2023

web feb 9 2023 girlfriend for hire they say unhealthy attachments are the root of most problems kim luna knows this

because shes attached to many things her toxic ex boyfriend her kind but unavailable psychiatrist and most of all her opulent lifestyle that she lost after her family went

[ethiopia a new commercial code clifford chance](#) - Jul 26 2022

web ethiopia a new commercial code investors looking to enter the ethiopian market or deepen their presence should seek to familiarise themselves with some recent legislative changes of the country s commercial law that are set to significantly alter the legal landscape for both local and international players

[new ethiopian commercial code proclamation no 1243 2021 amharic](#) - Apr 22 2022

web sep 1 2021 new ethiopian commercial code proclamation no 1243 2021 amharic version published on 1 september 2021 45495 downloads members of parliament have ratified the commercial code on march 2021 marking the first time in over six decades that the code has seen any major revisions

ethio data - Apr 03 2023

web ethio data

commercial code of ethiopia proclamation no 1243 2021 wipo - Feb 01 2023

web apr 12 2021 latest version in wipo lex year of version 2021 dates entry into force april 12 2021 type of text ip related laws subject matter trade names subject matter secondary other notes the commercial code of ethiopia proclamation no 1243 2021 partially repeals the commercial code no 166 1960

commercial code law ethiopia - Jun 24 2022

web ethiopia too requires modernizing the commercial code it has therefore been promulgated pursuant to article 55 4 of the constitution of the federal democratic republic of ethiopia as follows 1 short title this proclamation may be cited as the commercial code of ethiopia proclamation no 2020 2 repealed and inapplicable laws

new commercial code of ethiopia official - Oct 29 2022

web jun 28 2021 new commercial code of ethiopia official 28 june 2021 last updated 13 october 2022 hits 16733 new commercial code of ethiopia proclamation no 1243 2021 official download here amharic version

📄📄📄📄 **commercial code english amharic version** - Sep 08 2023

web mar 5 2013 the commercial code which is today being promulgated fulfills these requirements it is grounded in ethiopia s ancient laws and customs and has been further extended by reference to the laws of other great commercial powers commercial code english pdf commercial code amharic pdf

ethiopian commercial code amharic pdf pdf ethiopia - Nov 29 2022

web direct download ethiopian commercial code amharic pdf uhlfj rc iif i nlg q ethiopian parliament ethiopia pdf consulted on 2010 11 04 provides for an electoral code of conduct for political parties candidates members and supporters fro a fi fk r fil v

new ethiopian commercial code proclamation no 1243 2021 - Feb 18 2022

web oct 26 2021 new ethiopian commercial code proclamation no 1243 2021 english version published on 26 october 2021 22354 downloads members of parliament have ratified the commercial code on march 2021 marking the first time in over six decades that the code has seen any major revisions revised after 62 years the new code allows for

new ethiopian commercial code proclamation no 1243 2021 amharic - Dec 31 2022

web members of legislature may ratified the commercial encrypt to stride 2021 characterization which first time in go six decades that the code has seen any major revisions revised after 62 years the new code allows used the legal recognitions of holding companies and single member corporations as well such allowing virtual general meetings

new ethiopian commercial code proclamation no 1243 2021 amharic - Jul 06 2023

web sep 1 2021 new ethiopian commercial code proclamation no 1243 2021 amharic version published on 1 september 2021 45553 downloads members of parliament have ratified the commercial code on march 2021 marking the first time in over six decades that the code has seen any major revisions