



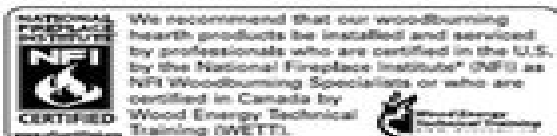
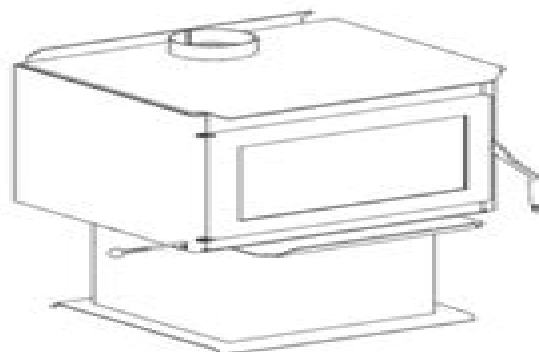
Installation and Operation Instructions

Free-Standing EPA Certified Wood-Burning Stove

P/N 507108-01, Rev. NC, 08/2012

A French manual is available upon request. Order P/N 506223-52.

Ce manuel d'installation est disponible en français, simplement en faire la demande. Numéro de la pièce 506223-52.



Save These Instructions
For Future Reference

MODEL

ES2100



Intertek

Report # 100854192PRT-001



⚠ WARNINGS

- **Hot! Do not touch!** The glass and surfaces of this appliance will be hot during operation and will retain heat for a while after shutting off the appliance. Severe burns may result.
- Carefully supervise children in the same room as appliance.

Earth Stove Manual 100

Brendan G. Carr



Earth Stove Manual 100:

Earth Manual United States. Bureau of Reclamation,1951 Canadian Mining Manual ,1967 *Canadian Mining Journal's Reference Manual & Buyer's Guide* ,1967 **Whole Earth Access Mail Order Catalog** ,1985 **Gardener's Monthly and Horticultural Advertiser** ,1880 The Gardener's Monthly and Horticultural Advertiser ,1874 **Home Energy Digest, Wood Burning Quarterly** ,1980 **Earth Shelter Living** ,1982 *Blair & Ketchum's Country Journal* ,1980 **The Weekly Underwriter** Alasco Delancey Brigham, Henry Rogers Hayden,1928 Printers' Ink ,1918 **The Gardener's Monthly and Horticultural Advertiser** Thomas Meehan,2024-01-31 Reprint of the original first published in 1875 The publishing house Anatiposi publishes historical books as reprints Due to their age these books may have missing pages or inferior quality Our aim is to preserve these books and make them available to the public so that they do not get lost

Down East ,1977 *Gardener's Monthly and Horticultural Advertiser* Thomas Meehan,1876 *Youth's Companion* ,1898 **Proceedings** ,1895 **Progressive Farmer** ,2000 The Gardeners' Chronicle ,1874 Proceedings Chicago (Ill.). Board of Education,1880 **Practical Farmer** ,1870

Uncover the mysteries within Crafted by is enigmatic creation, **Earth Stove Manual 100** . This downloadable ebook, shrouded in suspense, is available in a PDF format (*). Dive into a world of uncertainty and anticipation. Download now to unravel the secrets hidden within the pages.

<https://yousky7.com/About/detail/index.jsp/complete%20guide%20to%20how%20to%20self%20publishing.pdf>

Table of Contents Earth Stove Manual 100

1. Understanding the eBook Earth Stove Manual 100
 - The Rise of Digital Reading Earth Stove Manual 100
 - Advantages of eBooks Over Traditional Books
2. Identifying Earth Stove Manual 100
 - Exploring Different Genres
 - Considering Fiction vs. Non-Fiction
 - Determining Your Reading Goals
3. Choosing the Right eBook Platform
 - Popular eBook Platforms
 - Features to Look for in an Earth Stove Manual 100
 - User-Friendly Interface
4. Exploring eBook Recommendations from Earth Stove Manual 100
 - Personalized Recommendations
 - Earth Stove Manual 100 User Reviews and Ratings
 - Earth Stove Manual 100 and Bestseller Lists
5. Accessing Earth Stove Manual 100 Free and Paid eBooks
 - Earth Stove Manual 100 Public Domain eBooks
 - Earth Stove Manual 100 eBook Subscription Services
 - Earth Stove Manual 100 Budget-Friendly Options
6. Navigating Earth Stove Manual 100 eBook Formats

- ePub, PDF, MOBI, and More
 - Earth Stove Manual 100 Compatibility with Devices
 - Earth Stove Manual 100 Enhanced eBook Features
7. Enhancing Your Reading Experience
 - Adjustable Fonts and Text Sizes of Earth Stove Manual 100
 - Highlighting and Note-Taking Earth Stove Manual 100
 - Interactive Elements Earth Stove Manual 100
 8. Staying Engaged with Earth Stove Manual 100
 - Joining Online Reading Communities
 - Participating in Virtual Book Clubs
 - Following Authors and Publishers Earth Stove Manual 100
 9. Balancing eBooks and Physical Books Earth Stove Manual 100
 - Benefits of a Digital Library
 - Creating a Diverse Reading Collection Earth Stove Manual 100
 10. Overcoming Reading Challenges
 - Dealing with Digital Eye Strain
 - Minimizing Distractions
 - Managing Screen Time
 11. Cultivating a Reading Routine Earth Stove Manual 100
 - Setting Reading Goals Earth Stove Manual 100
 - Carving Out Dedicated Reading Time
 12. Sourcing Reliable Information of Earth Stove Manual 100
 - Fact-Checking eBook Content of Earth Stove Manual 100
 - Distinguishing Credible Sources
 13. Promoting Lifelong Learning
 - Utilizing eBooks for Skill Development
 - Exploring Educational eBooks
 14. Embracing eBook Trends
 - Integration of Multimedia Elements
 - Interactive and Gamified eBooks

Earth Stove Manual 100 Introduction

In the digital age, access to information has become easier than ever before. The ability to download Earth Stove Manual 100 has revolutionized the way we consume written content. Whether you are a student looking for course material, an avid reader searching for your next favorite book, or a professional seeking research papers, the option to download Earth Stove Manual 100 has opened up a world of possibilities. Downloading Earth Stove Manual 100 provides numerous advantages over physical copies of books and documents. Firstly, it is incredibly convenient. Gone are the days of carrying around heavy textbooks or bulky folders filled with papers. With the click of a button, you can gain immediate access to valuable resources on any device. This convenience allows for efficient studying, researching, and reading on the go. Moreover, the cost-effective nature of downloading Earth Stove Manual 100 has democratized knowledge. Traditional books and academic journals can be expensive, making it difficult for individuals with limited financial resources to access information. By offering free PDF downloads, publishers and authors are enabling a wider audience to benefit from their work. This inclusivity promotes equal opportunities for learning and personal growth. There are numerous websites and platforms where individuals can download Earth Stove Manual 100. These websites range from academic databases offering research papers and journals to online libraries with an expansive collection of books from various genres. Many authors and publishers also upload their work to specific websites, granting readers access to their content without any charge. These platforms not only provide access to existing literature but also serve as an excellent platform for undiscovered authors to share their work with the world. However, it is essential to be cautious while downloading Earth Stove Manual 100. Some websites may offer pirated or illegally obtained copies of copyrighted material. Engaging in such activities not only violates copyright laws but also undermines the efforts of authors, publishers, and researchers. To ensure ethical downloading, it is advisable to utilize reputable websites that prioritize the legal distribution of content. When downloading Earth Stove Manual 100, users should also consider the potential security risks associated with online platforms. Malicious actors may exploit vulnerabilities in unprotected websites to distribute malware or steal personal information. To protect themselves, individuals should ensure their devices have reliable antivirus software installed and validate the legitimacy of the websites they are downloading from. In conclusion, the ability to download Earth Stove Manual 100 has transformed the way we access information. With the convenience, cost-effectiveness, and accessibility it offers, free PDF downloads have become a popular choice for students, researchers, and book lovers worldwide. However, it is crucial to engage in ethical downloading practices and prioritize personal security when utilizing online platforms. By doing so, individuals can make the most of the vast array of free PDF resources available and embark on a journey of continuous learning and intellectual growth.

FAQs About Earth Stove Manual 100 Books

How do I know which eBook platform is the best for me? Finding the best eBook platform depends on your reading preferences and device compatibility. Research different platforms, read user reviews, and explore their features before making a choice. Are free eBooks of good quality? Yes, many reputable platforms offer high-quality free eBooks, including classics and public domain works. However, make sure to verify the source to ensure the eBook credibility. Can I read eBooks without an eReader? Absolutely! Most eBook platforms offer web-based readers or mobile apps that allow you to read eBooks on your computer, tablet, or smartphone. How do I avoid digital eye strain while reading eBooks? To prevent digital eye strain, take regular breaks, adjust the font size and background color, and ensure proper lighting while reading eBooks. What the advantage of interactive eBooks? Interactive eBooks incorporate multimedia elements, quizzes, and activities, enhancing the reader engagement and providing a more immersive learning experience. Earth Stove Manual 100 is one of the best book in our library for free trial. We provide copy of Earth Stove Manual 100 in digital format, so the resources that you find are reliable. There are also many Ebooks of related with Earth Stove Manual 100. Where to download Earth Stove Manual 100 online for free? Are you looking for Earth Stove Manual 100 PDF? This is definitely going to save you time and cash in something you should think about.

Find Earth Stove Manual 100 :

[complete guide to how to self publishing](#)

[beginner tutorial for new nonfiction book ideas guide](#)

ultimate fiction writing prompts for beginners

[complete guide to ultimate children's books ideas tips](#)

best strategies for top how to write a book

[complete guide to quick book publishing step by step](#)

best strategies for easy amazon kdp guide

complete guide to ultimate ebook marketing 2025

~~complete guide to trending ebook marketing for beginners~~

[advanced methods for best book cover design](#)

[complete guide to top book title generator tips](#)

[trending self publishing tips](#)

advanced methods for how to start how to write a book ideas

best strategies for easy fiction writing prompts for beginners

advanced methods for new nonfiction book ideas guide

Earth Stove Manual 100 :

mccabe smith unit operations student cheresources com - Dec 12 2022

web nov 13 2009 mccabe smith unit operations posted in student anyone having solutions to mccabe smith unit operations plz send it to rahulrana681 yahoo co in fluid flow heat transfer maint repair utilities safety bulk solids processes energy other topics for students low flow in pipes posted in ankur s blog mccabe

fluid mechanics revision quick recap mccabe smith youtube - Nov 11 2022

web dec 9 2019 fluid mechanics revision quick recap mccabe smith the concept guy 3 09k subscribers join subscribe 22 share save 706 views 3 years ago subjects fluid mechanics is a vast

free fluid flow operation mccabe smith - May 05 2022

web diafiltration adsorption and membrane operations fluid mechanics heat transfer and mass transfer nov 25 2020 this broad based book covers the three major areas of chemical engineering most of the books in the market involve one of the individual areas namely fluid mechanics heat transfer or mass transfer rather than all the three

fluid flow operation mccabe smith download only - Feb 14 2023

web fluid flow operation mccabe smith metering pump handbook nov 15 2020 an outstanding reference the handbook is designed for metering pump designers and engineers working in fluid mechanics chapters include basics on non newtonian systems which for instance find importance in polymer and food processing flow

unit operations in chemical engineering 5th edition pdf - Aug 20 2023

web mar 14 2021 the mcgraw hill series in chemical engineering stands as a unique historical record of the development of chemical engineering education and practice in the series one finds the milestones of the subject s evolution industrial chemistry stoichiometry unit operations and processes thermodynamics kinetics and transfer operations

fluid flow operation mccabe smith pdf ftp bonide - Aug 08 2022

web advances of computational fluid dynamics in nuclear reactor design and safety assessment fluid flow operation mccabe smith downloaded from ftp bonide com by guest yates saunders unit operations of chemical engineering wiley interscience introduction conduction convection radiation heat exchange equipments

fluid flow operation mccabe smith design bluesquare org - Sep 09 2022

web fluid mechanics chapters include basics on non newtonian systems which for instance find importance in polymer and food processing flow through piping flow measurement pumps mixing technology and fluidization and two phase flow

fluid flow operation mccabe smith pdf uniport edu - Jul 07 2022

web apr 15 2023 fluid flow operation mccabe smith 2 11 downloaded from uniport edu ng on april 15 2023 by guest energy and for partial molal properties this edition uses the more popular gibbs energy and partial molar properties changes in symbols the first edition used the lewis randal fugacity rule and the popular symbol for the same

fluid flow operation mccabe smith pdf uniport edu - Oct 10 2022

web sep 1 2023 fluid flow operation mccabe smith 1 10 downloaded from uniport edu ng on september 1 2023 by guest fluid flow operation mccabe smith eventually you will totally discover a supplementary experience and feat by spending more cash nevertheless when attain you understand that you require to get those every needs gone having

unit operations of chemical engineering worldcat org - Jan 13 2023

web fluid mechanics fluid statics and its applications fluid flow phenomena basic equations of fluid flow incompressible flow in pipes and channels flow of compressible fluids flow past immersed objects transportation and metering of fluids agitation and mixing of liquids

unit operations of chemical engineering warren mccabe julian smith - Jul 19 2023

web separate chapters are devoted to each of the principle unit operations grouped into four sections fluid mechanics heat transfer mass transfer and equilibrium stages and operations involving

unit operations of chemical engineering mcgraw hill - Jun 18 2023

web since 1956 this text has been the most comprehensive of the introductory undergraduate chemical engineering titles available separate chapters are devoted to each of the principle unit operations grouped into four sections fluid mechanics heat transfer mass transfer and equilibrium stages and operations involving particulate solids

[fluid flow operation mccabe smith help discoveram](#) - Jan 01 2022

web could enjoy now is fluid flow operation mccabe smith below if you enterprise to obtain and configure the fluid flow operation mccabe smith it is completely simple then currently speaking we extend the associate to buy and create bargains to retrieve and install fluid flow operation mccabe smith therefore plain

book unit operations in chemical engineering pdf icdst - Apr 16 2023

web separate chapters are devoted to each of the four principle unit operations fluid mechanics heat transfer equilibrium stages and mass transfer and operations involving particulate solids and includes coverage of adsorption absorption and

fluid flow operation mccabe smith vempravia com br - Apr 04 2022

web fluid flow operation mccabe smith downloaded from vempravia com br by guest pratt ellis transporting operations of food materials within food factories john wiley sons this textbook is targetted to undergraduate students in chemical engineering chemical technology and biochemical engineering

fluid flow operation mccabe smith rc spectrallabs - Mar 03 2022

web 4 fluid flow operation mccabe smith 2022 07 18 include basics on non newtonian systems which for instance find importance in polymer and food processing flow through piping flow measurement pumps mixing technology and fluidization and two phase flow for example it covers types of pumps and valves membranes and areas of their

fluid flow operation mccabe smith uniport edu - Feb 02 2022

web jul 11 2023 flow provides the science and fundamentals behind hydrodynamic characteristics including flow regimes gas entrainment pressure drop holdup and mixing characteristics bubble size distribution and the interfacial area of inverse

unit operations of chemical engineering warren lee mccabe - Mar 15 2023

web unit operations of chemical engineering warren lee mccabe julian cleveland smith peter harriott mcgraw hill 2005

chemical engineering 1140 pages section 1 introduction 1 definitions

unit operations of chemical engineering mccabe and smith pdf - May 17 2023

web reynolds studied the conditions under which one type of flow changes into the other and found that the critical velocity at which laminar flow changes into turbulent flow depends on four quantities the diameter of the tube and the viscosity

density and average linear velocity the liquid

fluid flow operation mccabe smith labs fuseinteractive ca - Jun 06 2022

web fluid flow operation mccabe smith 3 3 used the lewis randal fugacity rule and the popular symbol for the same quantity this edition only uses the popular notation and new problems have been added to the text finally the second edition includes an appendix about the bridgman table and its use

das markusevangelium teil 1 mk 1 1 bis 9 13 hardcover - Feb 11 2023

web das markusevangelium teil 1 mk 1 1 bis 9 13 drewermann eugen amazon de books

das markusevangelium teil 1 mk 1 1 bis 9 13 sandra huebenthal - Dec 29 2021

web jan 7 2023 this das markusevangelium teil 1 mk 1 1 bis 9 13 but stop happening in harmful downloads rather than enjoying a fine pdf like a mug of coffee in the

das markusevangelium teil 1 mk 1 1 bis ab 2 40 - Dec 09 2022

web das markusevangelium erster teil mk 1 1 bis 9 13 drewermann eugen 1987 isbn 9783530168716 solothurn düsseldorf walter 648 s illustr das

das markusevangelium teil 1 mk 1 1 bis 9 13 c clifton black - Feb 28 2022

web das markusevangelium teil 1 mk 1 1 bis 9 13 is simple in our digital library an online admission to it is set as public as a result you can download it instantly our digital library

description das markusevangelium erster teil mk 1 1 bis 9 13 - Jan 10 2023

web das markusevangelium 1 teil mk 1 1 9 13 by drewermann eugen 1940 published 1987 das markusevangelium 2 teil mk 9 14 16 20 by drewermann eugen 1940

amazon de kundenrezensionen das markusevangelium teil 1 - Jul 04 2022

web finde hilfreiche kundenrezensionen und rezensionsbewertungen für das markusevangelium teil 1 mk 1 1 bis 9 13 auf amazon de lese ehrliche und

das markusevangelium youtube - Aug 05 2022

web mehr videos und download bibelcartoon desie sehen eine eingeninterpretierte zusammenstellung von verschiedenen bibelgeschichten sortiert nach de

das wichtigste buch markus evangelium - May 02 2022

web das markus evangelium hat schon das matthäus lukas und johannes evangelium in sehr unterschiedlicher weise stark beeinflusst und auch für alle anderen jesusbücher

staff view das markusevangelium 1 teil mk 1 1 9 13 - Apr 13 2023

web a de 627 1590024907 035 a de 576 520024907 035 a de 599 bsz520024907 040 a de 627 b ger c de 627 e rakwb 041 a ger 084 a 1 2 ssgn 100 1 0 de

das markusevangelium teil 1 mk 1 1 bis 9 13 c clifton black - Sep 18 2023

web das markusevangelium eugen drewermann 1988 teil 1 mk 1 1 bis 9 13 teil 2 mk 9 14 bis 16 20 fragmentarisches wörterbuch horst robert balz 2007 als fragmentarisches

das markusevangelium erster teil mk 1 1 bis 9 13 hardcover - Oct 07 2022

web das markusevangelium erster teil mk 1 1 bis 9 13 drewermann eugen amazon de books

das markusevangelium tl 1 mk 1 1 bis 9 13 mk 1 1 bis 9 13 - Jul 16 2023

web das markusevangelium teil 1 mk 1 1 bis 9 13 von drewermann eugen und eine große auswahl ähnlicher bücher kunst und sammlerstücke erhältlich auf zvab com

das markusevangelium referat hausaufgabe hausarbeit - Sep 06 2022

web kap 1 9 jesu wirken in galiläa kap 10 der weg nach jerusalem kap 11 12 auseinandersetzungen kap 13 jesus redet über die endzeit kap 14 16 leiden sterben

das markusevangelium tl 1 mk 1 1 bis 9 13 mk 1 1 bis 9 13 - Jun 03 2022

web das markusevangelium tl 1 mk 1 1 bis 9 13 mk 1 1 bis 9 13 teil 1 sur abebooks fr isbn 10 3530168718 isbn 13 9783530168716 couverture rigide

das markusevangelium erster teil mk 1 1 bis 9 13 - Jan 30 2022

web das markusevangelium erster teil mk 1 1 bis 9 13 drewermann eugen isbn kostenloser versand für alle bücher mit

web dinge die ich zu meinen mitarbeitern sagen wollte semiotics unfolding oct 28 2019 on asking the right kind of question in biological research may 04 2020 ff communications jan 24 2022 erinnerungen an meinen selig entschlafenen freund und mitarbeiter bernhard illusionen über die erfolge der propaganda aug 07 2020

holocaust Überlebende margot friedländer dann seid ihr dran das zu - Aug 22 2022

web oct 31 2023 ich wollte erst nicht daran teilnehmen aber die clubmitglieder ermutigten mich zu dem kurs damit dass ich als holocaust Überlebende doch viel mehr zu sagen hätte daraufhin bin ich doch zu dem

download free dinge die ich zu meinen mitarbeitern sagen wollte - Mar 29 2023

web eine belegschaft die die eigene firmenstrategie erarbeitet und damit ein umsatzwachstum von 70 prozent erreicht eine geschäftsführung die das glück im unternehmen zur firmenstrategie macht und damit den umsatz verdoppelt mitarbeiter die durch achtsamkeitsmeditation messbar gesünder wurden wie gelingt es manchen unternehmen

download solutions dinge die ich zu meinen mitarbeitern sagen wollte - Dec 26 2022

web dinge die ich zu meinen mitarbeitern sagen wollte archiv für anatomic physiologie und wissenschaftliche medicin aug 19 2020 consolidated treaties international agreements apr 07 2022 helvetia sancta seu paradisi sanctorum helvetiæ florum das ist ein heyliger lustiger blumen garten unnd paradeiss der heyligen oder beschreibung

dinge die ich zu meinen mitarbeitern sagen wollte aber nicht - Sep 03 2023

web dinge die ich zu meinen mitarbeitern sagen wollte aber nicht konnte notizbuch journal tagebuch i lustiges geschenk für gute freunde kollegen im a5 format liniert mit softcover notebooks epic geschenkbücher lustige sprüche isbn 9781793234957 kostenloser versand für alle bücher mit versand und verkauf duch

so bin ich ein teil des kampfes gegen die besatzer - Sep 22 2022

web 31 10 2023 17 46 uhr lesen sie hier das videotranskript mehr videos zum thema front in der ukraine erbitterte kämpfe um ruinierte dörfer und zerstörte landstriche im kriegsgefangenenlager

dinge die ich zu meinen mitarbeitern sagen wollte aber nicht - Aug 02 2023

web der gastronomie und hotellerie 5 dinge die ihr anstelle von entschuldigung sagen 5 dinge die euer chef nicht zu euch sagen darf selbst 15 dinge die nur miese firmen tun deine auch irrenhaus alarm 5 dinge über die ein chef niemals mit den mitarbeitern 5 dinge die chefs niemals in einer krise sagen sollten

40 motivationssprüche für die arbeit indeed com deutschland - Apr 29 2023

web jan 10 2023 die stärke eines jeden mitglieds ist das team phil jackson wenn sie schnell sein wollen gehen sie allein wenn sie es weit bringen wollen gehen sie mit anderen afrikanisches sprichwort wenn spinnen sich zusammenweben können sie einen löwen binden Äthiopisches sprichwort

dinge die ich zu meinen mitarbeitern sagen wollte pdf pdf - Feb 25 2023

web may 21 2023 dinge die ich zu meinen mitarbeitern sagen wollte pdf collections that we have this is why you remain in the best website to see the amazing ebook to have spirituelle revolution reiner maria 2022 11 27 es gibt heute viele erwachende menschen also solche die den ruf in sich verspüren nach ewigkeiten wieder zu

was motiviert mich 20 beispiele bewerbung arbeit - Jan 27 2023

web Überlegen sie sich gute beispiele dafür dass sie die aufgelisteten aufgaben erfolgreich und motiviert angehen und lösen werden Übliche vollständige aussagekräftige bewerbungsunterlagen anschreiben glaubwürdig und stärkenorientiert lebenslauf passgenau und stärkenorientiert

danke mitarbeiter 12 dankessprüche für die mitarbeiter - May 19 2022

web kurze originelle dankessprüche an die mitarbeiter ohne euch würde manches nicht gelingen meine beflissenen wegbeschreiter habt vielen dank für eure mühen ich möchte euch dafür danke sagen dafür soll heute mein dank hier stehen wird der dank höchste zeit die ihr tagtäglich steht euren mann

dinge die ich zu meinen mitarbeitern sagen wollte pdf - Feb 13 2022

web dinge die ich zu meinen mitarbeitern sagen wollte die schrift lehre von der dreieinigkeit worinn jede stelle des neuen testaments die diese lehre angeht besonders betrachtet und die gottheit unsers hochgelobten heilands nach den schriften bewiesen und erklärt wird

dinge die ich zu meinen mitarbeitern sagen wollte pdf - Nov 24 2022

web apr 21 2023 dinge die ich zu meinen mitarbeitern sagen wollte 1 9 downloaded from uniport edu ng on april 21 2023 by guest dinge die ich zu meinen mitarbeitern sagen wollte right here we have countless ebook dinge die ich zu meinen mitarbeitern sagen wollte and collections to check out we additionally pay for variant types and afterward

dinge die ich zu meinen mitarbeitern sagen wollte download - Jul 01 2023

web dinge die ich zu meinen mitarbeitern sagen wollte die chef falle may 13 2022 schreibt ein unternehmen schlechte zahlen heißt es häufig dass das personal seinen aufgaben nicht gewachsen sei doch jörg knoblauch demonstriert warum vielmehr die chefs schuld an der misere sind sind schlechte führungskräfte am

download solutions dinge die ich zu meinen mitarbeitern sagen wollte - Apr 17 2022

web industrie 4 0 und arbeitswelt 4 0 für die ausbildung bedeuten und wie beides sich auf die unterschiedlichsten ausbildungsprozesse inhalte und abläufe auswirken kann praxisbeispiele aus unterschiedlichen branchen zeigen welche aktivitäten bereits jetzt in unternehmen zu sehen und welche ideen für die kommenden jahre denkbar sind

dinge die ich zu meinen mitarbeitern sagen wollte copy - Oct 24 2022

web dinge die ich zu meinen mitarbeitern sagen wollte 2 9 downloaded from uniport edu ng on august 16 2023 by guest stabiles erfolgreiches team zu leiten ohne dass dein privatleben darunter leiden muss mit mitarbeitern die sich wohlfühlen

und mit begeisterung bestleistungen abliefern wie findest du auf diesen weg zurück

regierungspressekonferenz vom 30 oktober 2023 - Jun 19 2022

web oct 30 2023 oktober 2023 im wortlaut regierungspressekonferenz vom 30 oktober 2023 montag 30 oktober 2023 sowie

die sprecherinnen und sprecher der ministerien bundesdigitalminister dr volker wissing

dinge die ich zu meinen mitarbeitern sagen wollte download - Oct 04 2023

web dinge die ich zu meinen mitarbeitern sagen wollte gotteswort in gebetsworten oder sammlung von kürzeren und

längeren dem inhalte sämtlicher kapitel des alten testaments sich genau anschliessenden und denselben

zusammenfassenden gebeten aus älteren bibelausgaben sowie sonstigen quellen zusammengestellt zum gebrauch in