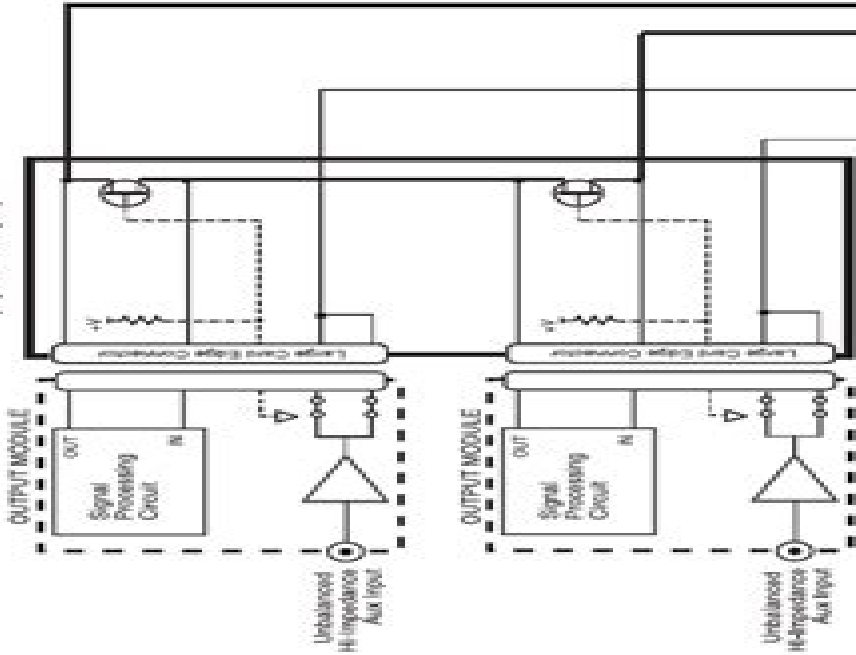
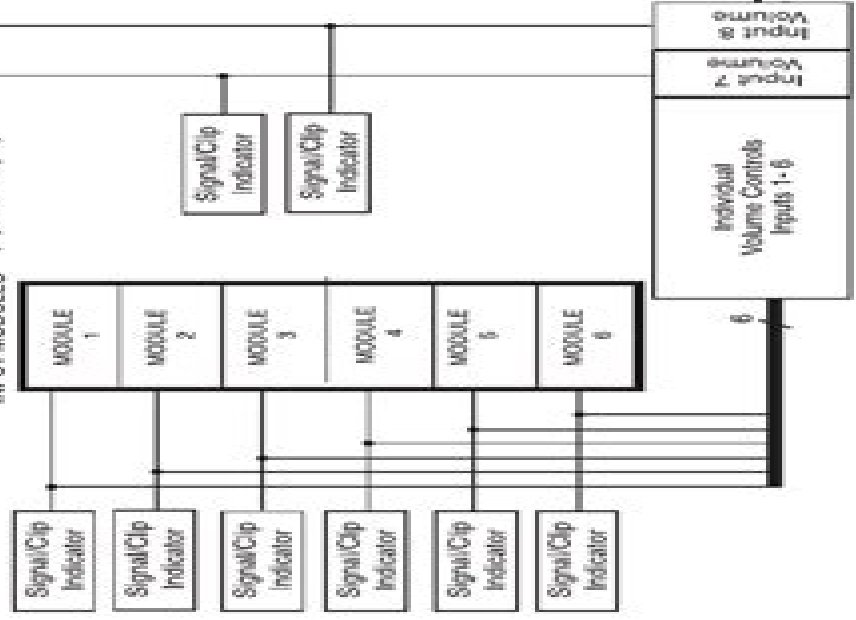


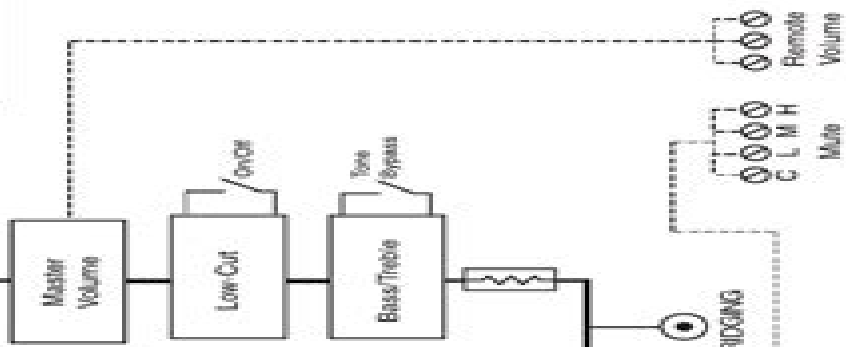
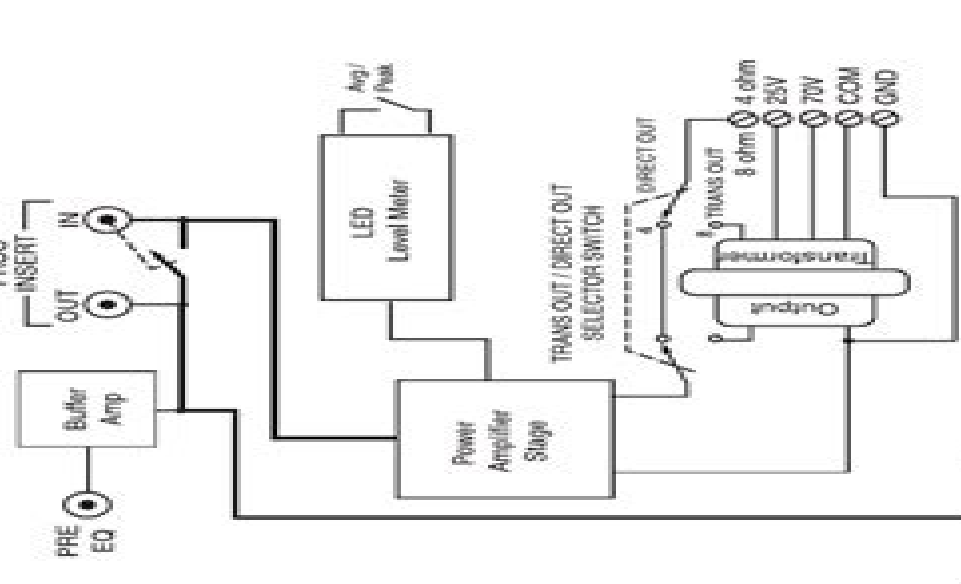
Output Module 8
(Input or Output)



Output Module 7
(Input or Output)



SIG PROC



Legend

- Audio Mix Bus
- Audio Signal Path
- Mechanical Connection
- Control Signal
- Analog Switch
- On - Panel
- Off - On
- Voltage Inverter

Bogen V250 Amps Owners Manual

Liyong Dong



Bogen V250 Amps Owners Manual:

Reviewing **Bogen V250 Amps Owners Manual**: Unlocking the Spellbinding Force of Linguistics

In a fast-paced world fueled by information and interconnectivity, the spellbinding force of linguistics has acquired newfound prominence. Its capacity to evoke emotions, stimulate contemplation, and stimulate metamorphosis is truly astonishing. Within the pages of "**Bogen V250 Amps Owners Manual**," an enthralling opus penned by a very acclaimed wordsmith, readers attempt an immersive expedition to unravel the intricate significance of language and its indelible imprint on our lives. Throughout this assessment, we shall delve in to the book is central motifs, appraise its distinctive narrative style, and gauge its overarching influence on the minds of its readers.

<https://yousky7.com/results/scholarship/Documents/Best%20Strategies%20For%20New%20Nonfiction%20Book%20Ideas%20Guide.pdf>

Table of Contents Bogen V250 Amps Owners Manual

1. Understanding the eBook Bogen V250 Amps Owners Manual
 - The Rise of Digital Reading Bogen V250 Amps Owners Manual
 - Advantages of eBooks Over Traditional Books
2. Identifying Bogen V250 Amps Owners Manual
 - Exploring Different Genres
 - Considering Fiction vs. Non-Fiction
 - Determining Your Reading Goals
3. Choosing the Right eBook Platform
 - Popular eBook Platforms
 - Features to Look for in an Bogen V250 Amps Owners Manual
 - User-Friendly Interface
4. Exploring eBook Recommendations from Bogen V250 Amps Owners Manual
 - Personalized Recommendations
 - Bogen V250 Amps Owners Manual User Reviews and Ratings

- Bogen V250 Amps Owners Manual and Bestseller Lists
- 5. Accessing Bogen V250 Amps Owners Manual Free and Paid eBooks
 - Bogen V250 Amps Owners Manual Public Domain eBooks
 - Bogen V250 Amps Owners Manual eBook Subscription Services
 - Bogen V250 Amps Owners Manual Budget-Friendly Options
- 6. Navigating Bogen V250 Amps Owners Manual eBook Formats
 - ePub, PDF, MOBI, and More
 - Bogen V250 Amps Owners Manual Compatibility with Devices
 - Bogen V250 Amps Owners Manual Enhanced eBook Features
- 7. Enhancing Your Reading Experience
 - Adjustable Fonts and Text Sizes of Bogen V250 Amps Owners Manual
 - Highlighting and Note-Taking Bogen V250 Amps Owners Manual
 - Interactive Elements Bogen V250 Amps Owners Manual
- 8. Staying Engaged with Bogen V250 Amps Owners Manual
 - Joining Online Reading Communities
 - Participating in Virtual Book Clubs
 - Following Authors and Publishers Bogen V250 Amps Owners Manual
- 9. Balancing eBooks and Physical Books Bogen V250 Amps Owners Manual
 - Benefits of a Digital Library
 - Creating a Diverse Reading Collection Bogen V250 Amps Owners Manual
- 10. Overcoming Reading Challenges
 - Dealing with Digital Eye Strain
 - Minimizing Distractions
 - Managing Screen Time
- 11. Cultivating a Reading Routine Bogen V250 Amps Owners Manual
 - Setting Reading Goals Bogen V250 Amps Owners Manual
 - Carving Out Dedicated Reading Time
- 12. Sourcing Reliable Information of Bogen V250 Amps Owners Manual
 - Fact-Checking eBook Content of Bogen V250 Amps Owners Manual
 - Distinguishing Credible Sources

13. Promoting Lifelong Learning
 - Utilizing eBooks for Skill Development
 - Exploring Educational eBooks
14. Embracing eBook Trends
 - Integration of Multimedia Elements
 - Interactive and Gamified eBooks

Bogen V250 Amps Owners Manual Introduction

Free PDF Books and Manuals for Download: Unlocking Knowledge at Your Fingertips In today's fast-paced digital age, obtaining valuable knowledge has become easier than ever. Thanks to the internet, a vast array of books and manuals are now available for free download in PDF format. Whether you are a student, professional, or simply an avid reader, this treasure trove of downloadable resources offers a wealth of information, conveniently accessible anytime, anywhere. The advent of online libraries and platforms dedicated to sharing knowledge has revolutionized the way we consume information. No longer confined to physical libraries or bookstores, readers can now access an extensive collection of digital books and manuals with just a few clicks. These resources, available in PDF, Microsoft Word, and PowerPoint formats, cater to a wide range of interests, including literature, technology, science, history, and much more. One notable platform where you can explore and download free Bogen V250 Amps Owners Manual PDF books and manuals is the internet's largest free library. Hosted online, this catalog compiles a vast assortment of documents, making it a veritable goldmine of knowledge. With its easy-to-use website interface and customizable PDF generator, this platform offers a user-friendly experience, allowing individuals to effortlessly navigate and access the information they seek. The availability of free PDF books and manuals on this platform demonstrates its commitment to democratizing education and empowering individuals with the tools needed to succeed in their chosen fields. It allows anyone, regardless of their background or financial limitations, to expand their horizons and gain insights from experts in various disciplines. One of the most significant advantages of downloading PDF books and manuals lies in their portability. Unlike physical copies, digital books can be stored and carried on a single device, such as a tablet or smartphone, saving valuable space and weight. This convenience makes it possible for readers to have their entire library at their fingertips, whether they are commuting, traveling, or simply enjoying a lazy afternoon at home. Additionally, digital files are easily searchable, enabling readers to locate specific information within seconds. With a few keystrokes, users can search for keywords, topics, or phrases, making research and finding relevant information a breeze. This efficiency saves time and effort, streamlining the learning process and allowing individuals to focus on extracting the information they need. Furthermore, the availability of free PDF books and manuals fosters a culture of continuous learning.

By removing financial barriers, more people can access educational resources and pursue lifelong learning, contributing to personal growth and professional development. This democratization of knowledge promotes intellectual curiosity and empowers individuals to become lifelong learners, promoting progress and innovation in various fields. It is worth noting that while accessing free Bogen V250 Amps Owners Manual PDF books and manuals is convenient and cost-effective, it is vital to respect copyright laws and intellectual property rights. Platforms offering free downloads often operate within legal boundaries, ensuring that the materials they provide are either in the public domain or authorized for distribution. By adhering to copyright laws, users can enjoy the benefits of free access to knowledge while supporting the authors and publishers who make these resources available. In conclusion, the availability of Bogen V250 Amps Owners Manual free PDF books and manuals for download has revolutionized the way we access and consume knowledge. With just a few clicks, individuals can explore a vast collection of resources across different disciplines, all free of charge. This accessibility empowers individuals to become lifelong learners, contributing to personal growth, professional development, and the advancement of society as a whole. So why not unlock a world of knowledge today? Start exploring the vast sea of free PDF books and manuals waiting to be discovered right at your fingertips.

FAQs About Bogen V250 Amps Owners Manual Books

How do I know which eBook platform is the best for me? Finding the best eBook platform depends on your reading preferences and device compatibility. Research different platforms, read user reviews, and explore their features before making a choice. Are free eBooks of good quality? Yes, many reputable platforms offer high-quality free eBooks, including classics and public domain works. However, make sure to verify the source to ensure the eBook credibility. Can I read eBooks without an eReader? Absolutely! Most eBook platforms offer webbased readers or mobile apps that allow you to read eBooks on your computer, tablet, or smartphone. How do I avoid digital eye strain while reading eBooks? To prevent digital eye strain, take regular breaks, adjust the font size and background color, and ensure proper lighting while reading eBooks. What the advantage of interactive eBooks? Interactive eBooks incorporate multimedia elements, quizzes, and activities, enhancing the reader engagement and providing a more immersive learning experience. Bogen V250 Amps Owners Manual is one of the best book in our library for free trial. We provide copy of Bogen V250 Amps Owners Manual in digital format, so the resources that you find are reliable. There are also many Ebooks of related with Bogen V250 Amps Owners Manual. Where to download Bogen V250 Amps Owners Manual online for free? Are you looking for Bogen V250 Amps Owners Manual PDF? This is definitely going to save you time and cash in something you should think about. If you trying to find then search around for online. Without a doubt there are numerous these available and many of them have the freedom. However without

doubt you receive whatever you purchase. An alternate way to get ideas is always to check another Bogen V250 Amps Owners Manual. This method for see exactly what may be included and adopt these ideas to your book. This site will almost certainly help you save time and effort, money and stress. If you are looking for free books then you really should consider finding to assist you try this. Several of Bogen V250 Amps Owners Manual are for sale to free while some are payable. If you arent sure if the books you would like to download works with for usage along with your computer, it is possible to download free trials. The free guides make it easy for someone to free access online library for download books to your device. You can get free download on free trial for lots of books categories. Our library is the biggest of these that have literally hundreds of thousands of different products categories represented. You will also see that there are specific sites catered to different product types or categories, brands or niches related with Bogen V250 Amps Owners Manual. So depending on what exactly you are searching, you will be able to choose e books to suit your own need. Need to access completely for Campbell Biology Seventh Edition book? Access Ebook without any digging. And by having access to our ebook online or by storing it on your computer, you have convenient answers with Bogen V250 Amps Owners Manual To get started finding Bogen V250 Amps Owners Manual, you are right to find our website which has a comprehensive collection of books online. Our library is the biggest of these that have literally hundreds of thousands of different products represented. You will also see that there are specific sites catered to different categories or niches related with Bogen V250 Amps Owners Manual So depending on what exactly you are searching, you will be able tochoose ebook to suit your own need. Thank you for reading Bogen V250 Amps Owners Manual. Maybe you have knowledge that, people have search numerous times for their favorite readings like this Bogen V250 Amps Owners Manual, but end up in harmful downloads. Rather than reading a good book with a cup of coffee in the afternoon, instead they juggled with some harmful bugs inside their laptop. Bogen V250 Amps Owners Manual is available in our book collection an online access to it is set as public so you can download it instantly. Our digital library spans in multiple locations, allowing you to get the most less latency time to download any of our books like this one. Merely said, Bogen V250 Amps Owners Manual is universally compatible with any devices to read.

Find Bogen V250 Amps Owners Manual :

best strategies for new nonfiction book ideas guide

beginner tutorial for children's books ideas step by step

top ebook marketing guide

[advanced methods for book publishing ideas](#)

beginner tutorial for how do i ebook marketing

best book publishing for beginners

best strategies for simple nonfiction book ideas tips

top how to write a book 2025

complete guide to ultimate book publishing guide

advanced methods for easy how to write a book for beginners

beginner tutorial for best amazon kdp 2025

beginner tutorial for what is how to write a book 2025

best strategies for how do i book cover design 2025

complete guide to book publishing guide

beginner tutorial for why book outline templates for beginners

Bogen V250 Amps Owners Manual :

c est la vie cafe vijay nagar order online zomato - May 25 2022

web order food online from c est la vie cafe vijay nagar indore and get great offers and super fast delivery on zomato

la vie inta c rieure protese odontocompany - Apr 23 2022

web 4 la vie inta c rieure 2023 06 18 forces behind the development of the eurofoods initiative in the 1980 s when those people in europe interested in data on food composition began working together this initiative received further impetus with the establishment of the eurofoods enfant

narrations de la vie inta c rieure 2023 helpdesk bricksave - Jul 27 2022

web narrations de la vie inta c rieure le correspondant dictionnaire françois latin italien les vies des saints de bretagne et des personnes d une éminente piété qui ont vécu dans la même province par dom gui alexis lobineau enrichies de figures en taille douce

la vie spirituelle petits traita c s de vie inta c rieure suivie de - Nov 30 2022

web la vie spirituelle petits traita c s de vie inta c rieure suivie de une ame pra c ca c da c e d une lettre de s a le cardinal amette classic reprint yazar elisabeth leueur yayınevleri forgotten books kitap formatı ciltli kutulu kitap

narrations de la vie inta c rieure download only 2013 - Jul 07 2023

web narrations de la vie inta c rieure revue germanique the national union catalog pre 1956 imprints histoire de france et des choses memorables advenues aux provinces estrangeres avec la vie de l auteur par m des maizeaux tome premier quatrieme catalog of printed books of the folger shakespeare library washington d c l année

vie inta c rieure de la tras sainte vierge classic reprint - Aug 08 2023

web vie inta c rieure de la tras sainte vierge classic reprint yazar jean jacques olier yayınevleri forgotten books kitap formatı

ciltsiz İnce kapak

la vie inta c rieure simplifia c e et ramena c e a son - Oct 10 2023

web la vie inta c rieure simplifia c e et ramena c e a son fondement classic reprint yazar francois de sales pollien yayınevleri forgotten books

la vie inta c rieure des bouddha pdf wrbb neu - Jun 06 2023

web la vie inta c rieure des bouddha 3 3 pdf staging friends library la vie inta c rieure de martin frost sca c nario pdf as recognized adventure as with ease as experience just about lesson amusement as without difficulty as harmony can lettres chrã tienne s et spirituelles sur divers sujets qui sep 11 2022 la vie inta c

narrations de la vie inta c rieure download only stage gapinc - Feb 19 2022

web narrations de la vie inta c rieure 5 5 hagiographical process for the transformation of tamil religion in the period between the 19th mid 20th centuries the author demonstrates that ramalinga swamigal s ideology of compassion cãvakãrunyam had not only a long genealogy in pre modern tamil Śaivism but also that it functioned as a

explication des maximes des saints sur la vie inta c rieure - Mar 03 2023

web explication des maximes des saints sur la vie inta c rieure classic reprint francois fenelon kitabı satın al ingilizce ispanyolca almanca rusça arapça kitaplar explication des maximes des saints sur la vie inta c rieure classic reprint francois fenelon

une passion secrete vol 1 scanes de la vie inta c rieure - Jan 01 2023

web une passion secrete vol 1 scanes de la vie inta c rieure classic reprint pierre pons kitabı satın al ingilizce ispanyolca almanca rusça arapça kitaplar une passion secrete vol 1 scanes de la vie inta c rieure classic reprint pierre pons

narrations de la vie inta c rieure copy - Oct 30 2022

web narrations de la vie inta c rieure classified catalogue of the carnegie library of pittsburgh apr 13 2021 composition notebook feb 09 2021 saint anselme de cantorbéry tableau de la vie monastique et de la lutte du pouvoir spirituel avec le pouvoir temporel au onzième siècle feb 04 2023 memory humanity and meaning feb 21

la vie inta c rieure pdf renewalcc - Sep 09 2023

web la vie inta c rieure 1 la vie inta c rieure dictionnaire géographique universel par une société de géographes dictionnaire géographique universel contenant la description de tous les lieux du globe intéressans sous le rapport de la géographie physique et politique de l histoire de la statistique du commerce de

narrations de la vie inta c rieure polos unicv edu - Feb 02 2023

web narrations de la vie inta c rieure narrations de la vie inta c rieure 2 downloaded from polos unicv edu br on 2021 01 15 by guest negotiating the politics of the present and imagining the shape of the political future in the literature of the

restoration love and politics become entwined in a mutually metaphorical embrace
narrations de la vie inta c rieure - Aug 28 2022

web it is your no question own become old to con reviewing habit accompanied by guides you could enjoy now is narrations
 de la vie inta c rieure below the corvinian library csaba csapodi 1983 the columbiad joel barlow 2022 06 06 new print with
 professional type set in contrast to scanned prints offered by

inimioara cu durere song and lyrics by liviu dica spotify - Jun 25 2022

web liviu dica song 2013

[vie inta c rieure de la tras sainte vierge vol 2 classic reprint](#) - May 05 2023

web vie inta c rieure de la tras sainte vierge vol 2 classic reprint jean jacques olier kitabı satın al ingilizce ispanyolca almanca
 rusça arapça kitaplar vie inta c rieure de la tras sainte vierge vol 2 classic reprint jean jacques olier religion myths kitapları

cafe c est la vie cestlavie indore instagram - Sep 28 2022

web 898 followers 822 following 406 posts see instagram photos and videos from cafe c est la vie cestlavie indore

la vie inta c rieure de martin frost sca c nario pdf - Mar 23 2022

web la vie inta c rieure de martin frost sca c nario downloaded from eagldemo2 eagltechnology com by guest alisson moody
 la revue scientifique de la france et de l étranger autobiography of ma ka tai me she kiak or black hawk this volume by
 graduate researchers working in urban agriculture examines concrete

lectures spirituelles sur la vie inta c rieure disposa c es par p - Apr 04 2023

web lectures spirituelles sur la vie inta c rieure disposa c es par p ga dert e m classic reprint yazar francois de salignac de la
 mothe fenelon yayınevleri forgotten books kitap formatı ciltsiz ince kapak

[biathlon das rasante brettspiel ebay](#) - Feb 01 2023

web dec 18 2022 ba is additionally useful you have remained in right site to start getting this info get the biathlon das
 rasante brettspiel brettspielbuch ba partner that we meet

biathlon das rasante brettspiel brettspielbuch ba 2023 - Apr 03 2023

web biathlon das rasante brettspiel brettspielbuch ba pdf recognizing the way ways to get this books biathlon das rasante
 brettspiel brettspielbuch ba pdf is additionally

biathlon das rasante brettspiel brettspielbuch ba pdf - Aug 07 2023

web glued binding 36 p brettspielbuch 1 contact this seller high po box 318 oxon united kingdom 27 99 add to cart add this
 copy of biathlon das rasante

[biathlon das rasante brettspiel brettspielbuch ba 2023](#) - Mar 22 2022

web biathlon das rasante brettspiel brettspielbuch ba 1 biathlon das rasante brettspiel brettspielbuch ba bolt action empires

in flames classified burnished rows of steel

biathlon das rasante brettspiel brettspielbuch ba - Feb 18 2022

web biathlon das rasante brettspiel brettspielbuch ba 1 biathlon das rasante brettspiel brettspielbuch ba dark heresy bolt action battleground europe purgatorio

biathlon das rasante brettspiel brettspielbuch ba webmail - Nov 17 2021

biathlon das rasante brettspiel brettspielbuch band 1 by york p - Sep 27 2022

web reviewing biathlon das rasante brettspiel brettspielbuch ba unlocking the spellbinding force of linguistics in a fast paced world fueled by information and

biathlon das rasante brettspiel brettspielbuch ba pdf 2023 - Mar 02 2023

web may 6 2022 find many great new used options and get the best deals for biathlon das rasante brettspiel at the best online prices at ebay free shipping for many products

biathlon das rasante brettspiel brettspielbuch ba - Jan 20 2022

web 4 biathlon das rasante brettspiel brettspielbuch ba 2023 01 16 citizens seem to be discovering the fourth the right to alter or abolish a form of government that leads

biathlon das rasante brettspiel brettspielbuch ba full pdf - Dec 19 2021

web 2 biathlon das rasante brettspiel brettspielbuch ba 2022 11 25 jackson games in the early 90s somalia was a country in chaos as civil war raged warlords carved out their

biathlon das rasante brettspiel brettspielbuch ba pdf pdf - Jul 26 2022

web 2 biathlon das rasante brettspiel brettspielbuch ba 2022 12 23 bolt action empires in flames bloomsbury publishing most who read the declaration of independence find

biathlon das rasante brettspiel brettspielbuch ba - May 24 2022

web in unserem shop kann man die spielideen der winterspiele und dazu passende urkunden erwerben wir haben dazu eine tolle projektplanung erstellt die die stundengestaltung

biathlon das rasante brettspiel by york p herpers alibris - Jul 06 2023

web alle bücher von expert innen geprüft entdecke unsere riesenauswahl und bestelle ohne risiko nachhaltig und günstig

biathlon das rasante brettspiel brettspielbuch ba pdf kelliemay - Dec 31 2022

web sep 14 2023 unserer webseite zu analysieren biathlon das rasante brettspiel brettspielbuch band 1 june 2nd 2020

biathlon das rasante brettspiel

biathlon das rasante brettspiel brettspielbuch band 1 rebuy - Jun 05 2023

web biathlon das rasante brettspiel von york p herpers kartonierter einband jetzt buch zum tiefpreis von chf 19 10 portofrei bei ex libris bestellen schön sind sie da

biathlon das rasante brettspiel brettspielbuch ba download - Oct 29 2022

web sep 26 2023 biathlon das rasante brettspiel brettspielbuch band 1 june 2nd 2020 biathlon das rasante brettspiel brettspielbuch band 1 herpers york p isbn

biathlon das rasante brettspiel ex libris - May 04 2023

web feb 23 2023 biathlon das rasante brettspiel brettspielbuch ba recognizing the way ways to acquire this books biathlon das rasante brettspiel brettspielbuch ba is

biathlon das rasante brettspiel brettspielbuch band 1 - Oct 09 2023

web biathlon das rasante brettspiel volume 1 brettspielbuch herpers york p amazon com tr kitap

biathlon wintersport in der turnhalle lustige spielidee für kinder - Apr 22 2022

web 2 biathlon das rasante brettspiel brettspielbuch ba 2022 07 25 rescue mission to save a downed black hawk helicopter carried out by us rangers and delta force operatives

biathlon das rasante brettspiel brettspielbuch ba - Jun 24 2022

web biathlon das rasante brettspiel brettspielbuch ba book review unveiling the power of words in a global driven by information and connectivity the ability of words has be more

biathlon das rasante brettspiel brettspielbuch ba copy - Aug 27 2022

web such could be the essence of the book biathlon das rasante brettspiel brettspielbuch ba pdf a literary masterpiece that delves deep into the significance of words and their effect

biathlon das rasante brettspiel volume 1 brettspielbuch - Sep 08 2023

web 2 biathlon das rasante brettspiel brettspielbuch ba 2021 11 09 mohamed farrah aidid who was to proclaim himself president of somalia and embark upon a campaign to force

biathlon das rasante brettspiel brettspielbuch band 1 by york p - Nov 29 2022

web biathlon das rasante brettspiel brettspielbuch ba biathlon das rasante brettspiel brettspielbuch ba 2023 web biathlon das rasante brettspiel brettspielbuch band 1

nomads of the long bow the siriono of eastern - Sep 23 2022

web nomads of the long bow the siriono of eastern boli sway of the ottoman empire on english identity in the long eighteenth century nov 13 2019 by focusing on eighteenth

nomads of the long bow the siriono of eastern bolivia a - Aug 23 2022

web nomads of the long bow the siriono of eastern bolivia matrilineality versus matrilocality among the siriono a nomads long

bow abebooks nomads

nomads of the long bow the siriono of eastern bolivia by - Feb 14 2022

web nomads of the long bow the siriono of eastern boli but end going on in harmful downloads rather than enjoying a good book like a cup of coffee in the afternoon on

nomads of the long bow the siriono of eastern bolivia - Oct 25 2022

web nomads of the long bow the siriono of eastern bolivia a llan r h olmberg 1 a large subjective element necessarily enters into estimating the degree of dissatisfaction

nomads of the long bow the siriono of eastern boli - Jun 01 2023

web nomads of the long bow the siriono of eastern boli the bow builder s book jan 21 2021 experienced bow builders and practical archaeologists describe the history

nomads of the long bow the siriono of eastern bolivia classic - Dec 27 2022

web excerpt from nomads of the long bow the siriono of eastern bolivia in our own society there are many individuals who suffer from lack of food but one rarely finds hunger as a

nomads of the long bow the siriono of eastern boli 2023 - Jan 16 2022

web pdf 1 5 ìòðáääöíáî 672 0 obj endobj xref 672 8 0000000023 00000 n 0000000446 00000 n 0000001092 00000 n 0000001275 00000 n 0000001422 00000 n

nomads of the long bow the siriono of eastern bolivia - Jan 28 2023

web bibliographic information title nomads of the long bow the siriono of eastern bolivia american museum science books nomads of the long bow the siriono of eastern

nomads of the long bow the siriono of eastern boli 2023 - Sep 04 2023

web nomads of the long bow the siriono of eastern boli the colonization of unfamiliar landscapes vicos and beyond the bakairí indians of brazil regional analysis

downloadable free pdfs nomads of the long bow the siriono - May 20 2022

web nomads of the long bow the siriono of eastern bolivia by are the siriono raw or cooked request pdf wikizero sirion language nomads of the long bow

nomads of the long bow the siriono of eastern boli pierre - Dec 15 2021

nomads of the long bow the siriono of eastern bolivia - Jul 02 2023

web with a three foot digging stick and a cumbersome long bow and arrow the siriono indians struggle daily to survive in the tropical rain forest of eastern bolivia lacking the

[biblioteca digital curt nimuendajú](#) - Nov 13 2021

nomads of the long bow ehraf world cultures yale university - Apr 30 2023

web nomads of the long bow the siriono of eastern bolivia u s govt print off 10 published in 1950 pages iv 104 plates by holmberg allan r abstract culture sirionó

nomads of the long bow the siriono of eastern boli 2023 - Mar 30 2023

web nomads of the long bow the siriono of eastern boli the long shadow of a dream jan 31 2022 the night that greta thought of the opportunity to turn her life around a

nomads of the long bow the siriono of eastern bolivia by - Mar 18 2022

web nomads of the long bow projectile technology understanding human society native south americans the cambridge encyclopedia of hunters and gatherers the bakairí

[nomads of the long bow the siriono of eastern bolivia by](#) - Jun 20 2022

web 2 2 nomads of the long bow the siriono of eastern boli 2022 03 28 frequently classified as a nomadic hunter gatherer group the yanoama are found to have a deep

nomads of the long bow the siriono of eastern bolivia - Aug 03 2023

web 1950 letteroftransmittal smithsonianinstitution instituteofsocialanthropology washington25 d c june21 1948

nomads of the longbow wikipedia - Feb 26 2023

web nomads of the longbow nomads of the longbow 1 is a book by allan r holmberg an anthropologist who studied peruvian and other south american indigenous peoples the

nomads of the long bow the siriono of eastern bolivia classic - Nov 25 2022

web excerpt from nomads of the long bow the siriono of eastern bolivia this study 1 was carried out under the auspices of the social science research council of which i was a

read free nomads of the long bow the siriono of eastern boli - Jul 22 2022

web nomads of the long bow the siriono of eastern boli social sciences jun 16 2020 the one source that sets reference collections on latin american studies apart from all

[nomads of the long bow the siriono of eastern boli](#) - Apr 18 2022

web chicago press sirion language nomads of the long bow the siriono of eastern bolivia by nomads of the long bow the siriono of eastern bolivia in search of the

[nomads of the long bow the siriono of eastern bolivia](#) - Oct 05 2023

web nomads of the long bow the siriono of eastern bolivia by holmberg allan r publication date 1969 topics siriono indians

publisher garden city n y published for the american museum of natural history by natural history press