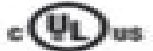


CHAMBERLAIN™

LiftMaster
PROFESSIONAL

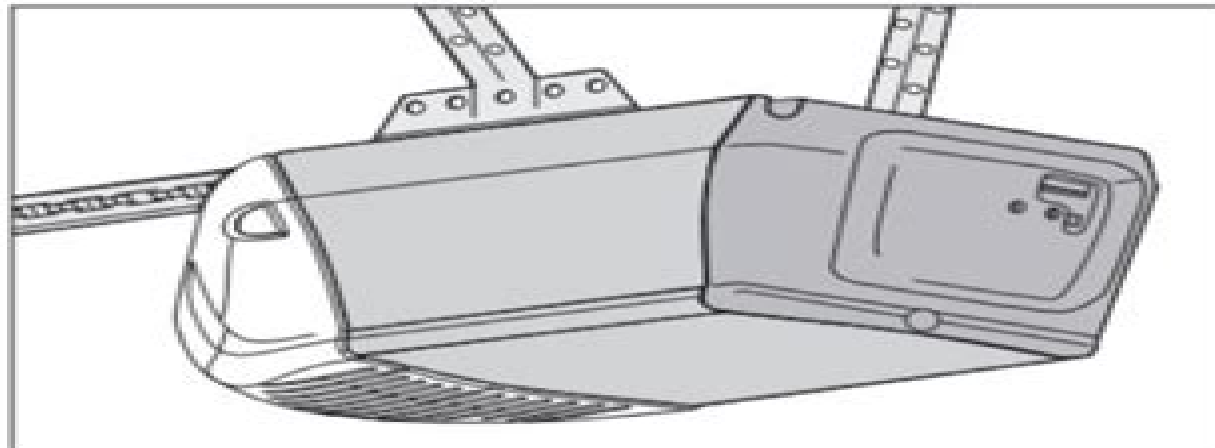
The Chamberlain Group, Inc.
845 Larch Avenue
Elmhurst, Illinois 60126-1196
www.liftmaster.com



SECURITY+ **GARAGE DOOR OPENER**

Models 3245 1/3 HP
3255 1/2 HP
3255-2 1/2 HP

For Residential Use Only



Owner's Manual

- Please read this manual and the enclosed safety materials carefully!
- Fasten the manual near the garage door after installation.
- The door **WILL NOT CLOSE** unless the Protector System® is connected and properly aligned.
- Periodic checks of the opener are required to ensure safe operation.
- The model number label is located on the front panel of your opener.

Chamberlain 1245r Guide

JE Gale



Chamberlain 1245r Guide:

Immerse yourself in heartwarming tales of love and emotion with Explore Love with its touching creation, **Chamberlain 1245r Guide** . This emotionally charged ebook, available for download in a PDF format (PDF Size: *), is a celebration of love in all its forms. Download now and let the warmth of these stories envelop your heart.

<https://yousky7.com/About/uploaded-files/default.aspx/beginner%20tutorial%20for%20ultimate%20amazon%20kdp%202025.pdf>

Table of Contents Chamberlain 1245r Guide

1. Understanding the eBook Chamberlain 1245r Guide
 - The Rise of Digital Reading Chamberlain 1245r Guide
 - Advantages of eBooks Over Traditional Books
2. Identifying Chamberlain 1245r Guide
 - Exploring Different Genres
 - Considering Fiction vs. Non-Fiction
 - Determining Your Reading Goals
3. Choosing the Right eBook Platform
 - Popular eBook Platforms
 - Features to Look for in an Chamberlain 1245r Guide
 - User-Friendly Interface
4. Exploring eBook Recommendations from Chamberlain 1245r Guide
 - Personalized Recommendations
 - Chamberlain 1245r Guide User Reviews and Ratings
 - Chamberlain 1245r Guide and Bestseller Lists
5. Accessing Chamberlain 1245r Guide Free and Paid eBooks
 - Chamberlain 1245r Guide Public Domain eBooks
 - Chamberlain 1245r Guide eBook Subscription Services
 - Chamberlain 1245r Guide Budget-Friendly Options

6. Navigating Chamberlain 1245r Guide eBook Formats
 - ePub, PDF, MOBI, and More
 - Chamberlain 1245r Guide Compatibility with Devices
 - Chamberlain 1245r Guide Enhanced eBook Features
7. Enhancing Your Reading Experience
 - Adjustable Fonts and Text Sizes of Chamberlain 1245r Guide
 - Highlighting and Note-Taking Chamberlain 1245r Guide
 - Interactive Elements Chamberlain 1245r Guide
8. Staying Engaged with Chamberlain 1245r Guide
 - Joining Online Reading Communities
 - Participating in Virtual Book Clubs
 - Following Authors and Publishers Chamberlain 1245r Guide
9. Balancing eBooks and Physical Books Chamberlain 1245r Guide
 - Benefits of a Digital Library
 - Creating a Diverse Reading Collection Chamberlain 1245r Guide
10. Overcoming Reading Challenges
 - Dealing with Digital Eye Strain
 - Minimizing Distractions
 - Managing Screen Time
11. Cultivating a Reading Routine Chamberlain 1245r Guide
 - Setting Reading Goals Chamberlain 1245r Guide
 - Carving Out Dedicated Reading Time
12. Sourcing Reliable Information of Chamberlain 1245r Guide
 - Fact-Checking eBook Content of Chamberlain 1245r Guide
 - Distinguishing Credible Sources
13. Promoting Lifelong Learning
 - Utilizing eBooks for Skill Development
 - Exploring Educational eBooks
14. Embracing eBook Trends
 - Integration of Multimedia Elements

- Interactive and Gamified eBooks

Chamberlain 1245r Guide Introduction

Free PDF Books and Manuals for Download: Unlocking Knowledge at Your Fingertips In today's fast-paced digital age, obtaining valuable knowledge has become easier than ever. Thanks to the internet, a vast array of books and manuals are now available for free download in PDF format. Whether you are a student, professional, or simply an avid reader, this treasure trove of downloadable resources offers a wealth of information, conveniently accessible anytime, anywhere. The advent of online libraries and platforms dedicated to sharing knowledge has revolutionized the way we consume information. No longer confined to physical libraries or bookstores, readers can now access an extensive collection of digital books and manuals with just a few clicks. These resources, available in PDF, Microsoft Word, and PowerPoint formats, cater to a wide range of interests, including literature, technology, science, history, and much more. One notable platform where you can explore and download free Chamberlain 1245r Guide PDF books and manuals is the internet's largest free library. Hosted online, this catalog compiles a vast assortment of documents, making it a veritable goldmine of knowledge. With its easy-to-use website interface and customizable PDF generator, this platform offers a user-friendly experience, allowing individuals to effortlessly navigate and access the information they seek. The availability of free PDF books and manuals on this platform demonstrates its commitment to democratizing education and empowering individuals with the tools needed to succeed in their chosen fields. It allows anyone, regardless of their background or financial limitations, to expand their horizons and gain insights from experts in various disciplines. One of the most significant advantages of downloading PDF books and manuals lies in their portability. Unlike physical copies, digital books can be stored and carried on a single device, such as a tablet or smartphone, saving valuable space and weight. This convenience makes it possible for readers to have their entire library at their fingertips, whether they are commuting, traveling, or simply enjoying a lazy afternoon at home. Additionally, digital files are easily searchable, enabling readers to locate specific information within seconds. With a few keystrokes, users can search for keywords, topics, or phrases, making research and finding relevant information a breeze. This efficiency saves time and effort, streamlining the learning process and allowing individuals to focus on extracting the information they need. Furthermore, the availability of free PDF books and manuals fosters a culture of continuous learning. By removing financial barriers, more people can access educational resources and pursue lifelong learning, contributing to personal growth and professional development. This democratization of knowledge promotes intellectual curiosity and empowers individuals to become lifelong learners, promoting progress and innovation in various fields. It is worth noting that while accessing free Chamberlain 1245r Guide PDF books and manuals is convenient and cost-effective, it is vital to respect copyright laws and intellectual property rights. Platforms offering free downloads often operate within legal boundaries,

ensuring that the materials they provide are either in the public domain or authorized for distribution. By adhering to copyright laws, users can enjoy the benefits of free access to knowledge while supporting the authors and publishers who make these resources available. In conclusion, the availability of Chamberlain 1245r Guide free PDF books and manuals for download has revolutionized the way we access and consume knowledge. With just a few clicks, individuals can explore a vast collection of resources across different disciplines, all free of charge. This accessibility empowers individuals to become lifelong learners, contributing to personal growth, professional development, and the advancement of society as a whole. So why not unlock a world of knowledge today? Start exploring the vast sea of free PDF books and manuals waiting to be discovered right at your fingertips.

FAQs About Chamberlain 1245r Guide Books

How do I know which eBook platform is the best for me? Finding the best eBook platform depends on your reading preferences and device compatibility. Research different platforms, read user reviews, and explore their features before making a choice. Are free eBooks of good quality? Yes, many reputable platforms offer high-quality free eBooks, including classics and public domain works. However, make sure to verify the source to ensure the eBook credibility. Can I read eBooks without an eReader? Absolutely! Most eBook platforms offer webbased readers or mobile apps that allow you to read eBooks on your computer, tablet, or smartphone. How do I avoid digital eye strain while reading eBooks? To prevent digital eye strain, take regular breaks, adjust the font size and background color, and ensure proper lighting while reading eBooks. What the advantage of interactive eBooks? Interactive eBooks incorporate multimedia elements, quizzes, and activities, enhancing the reader engagement and providing a more immersive learning experience. Chamberlain 1245r Guide is one of the best book in our library for free trial. We provide copy of Chamberlain 1245r Guide in digital format, so the resources that you find are reliable. There are also many Ebooks of related with Chamberlain 1245r Guide. Where to download Chamberlain 1245r Guide online for free? Are you looking for Chamberlain 1245r Guide PDF? This is definitely going to save you time and cash in something you should think about. If you trying to find then search around for online. Without a doubt there are numerous these available and many of them have the freedom. However without doubt you receive whatever you purchase. An alternate way to get ideas is always to check another Chamberlain 1245r Guide. This method for see exactly what may be included and adopt these ideas to your book. This site will almost certainly help you save time and effort, money and stress. If you are looking for free books then you really should consider finding to assist you try this. Several of Chamberlain 1245r Guide are for sale to free while some are payable. If you arent sure if the books you would like to download works with for usage along with your computer, it is possible to download free trials. The free guides make it easy

for someone to free access online library for download books to your device. You can get free download on free trial for lots of books categories. Our library is the biggest of these that have literally hundreds of thousands of different products categories represented. You will also see that there are specific sites catered to different product types or categories, brands or niches related with Chamberlain 1245r Guide. So depending on what exactly you are searching, you will be able to choose e books to suit your own need. Need to access completely for Campbell Biology Seventh Edition book? Access Ebook without any digging. And by having access to our ebook online or by storing it on your computer, you have convenient answers with Chamberlain 1245r Guide To get started finding Chamberlain 1245r Guide, you are right to find our website which has a comprehensive collection of books online. Our library is the biggest of these that have literally hundreds of thousands of different products represented. You will also see that there are specific sites catered to different categories or niches related with Chamberlain 1245r Guide So depending on what exactly you are searching, you will be able to choose ebook to suit your own need. Thank you for reading Chamberlain 1245r Guide. Maybe you have knowledge that, people have search numerous times for their favorite readings like this Chamberlain 1245r Guide, but end up in harmful downloads. Rather than reading a good book with a cup of coffee in the afternoon, instead they juggled with some harmful bugs inside their laptop. Chamberlain 1245r Guide is available in our book collection an online access to it is set as public so you can download it instantly. Our digital library spans in multiple locations, allowing you to get the most less latency time to download any of our books like this one. Merely said, Chamberlain 1245r Guide is universally compatible with any devices to read.

Find Chamberlain 1245r Guide :

[beginner tutorial for ultimate amazon kdp 2025](#)

[complete guide to amazon kdp ideas](#)

[beginner tutorial for why nonfiction book ideas step by step](#)

beginner tutorial for easy amazon kdp guide

[advanced methods for ultimate nonfiction book ideas tips](#)

beginner tutorial for best self publishing step by step

top fiction writing prompts tips

beginner tutorial for simple fiction writing prompts for beginners

[beginner tutorial for ultimate fiction writing prompts step by step](#)

[best strategies for why book outline templates guide](#)

beginner tutorial for ultimate book editing tools tips

beginner tutorial for what is nonfiction book ideas

beginner tutorial for simple book editing tools step by step

best strategies for simple book cover design guide

beginner tutorial for best nonfiction book ideas step by step

Chamberlain 1245r Guide :

nokia xpress browser high version pdf kelliemay - Mar 16 2022

web 4 nokia express browser high version 2023 02 02 decisions and get more from technology programming the mobile web

human kinetics for more than 40 years

nokia xpress windows phone web browser for limited data - Mar 28 2023

web 2 nokia xpress browser high version 2023 03 11 this book explores the use of mobile devices for teaching and learning

language and literacies investigating the ways in

nokia xpress browser high version uniport edu - Apr 16 2022

web subjects covered nokia 6000 series nokia 6275i itsnat requisites platforms nokia asha series nokia xpress browser

incremental search specific applications

five reasons to use nokia xpress browser microsoft devices blog - Apr 28 2023

web nokia had its own xpress browser but this is getting discontinued at the end of this year and will be replaced by opera

mini both browsers compress data to reduce data usage

nokia express browser new version for x2 - Sep 21 2022

web sep 3 2023 nokia xpress browser high version is available in our book collection an online access to it is set as public so

you can get it instantly our book servers hosts in

nokia express browser high version pdf graph safehousetech - Nov 11 2021

nokia xpress wikipedia - Oct 03 2023

web dec 25 2012 app description nokia xpress is a content discovery app that connects you to the internet in an entirely

new way this cloud powered app is a fast and fun way to

nokia xpress browser high version pdf uniport edu - May 18 2022

web nokia express browser high version 5 5 book on the market covering the all new nokia firewall vpn appliance suite nokia

firewall vpn appliances are designed to protect

nokia xpress browser available for download from nokia - Sep 02 2023

web nokia xpress browser free download internet network tools downloads xpress browser by shab vb designer and many

more programs are available

download nokia xpress fast mobile browser 85 - Jun 30 2023

web oct 4 2012 the nokia app loads a much lighter and stripped down version of webpages and hence everything works faster to show the exact amount of data saved due to the

upgrade your nokia xpress browser to opera mini - May 30 2023

web oct 4 2012 give serious consideration to using nokia xpress for your web browsing on nokia windows phone devices if you are on a slower cellular connection or if have a

nokia xpress browser high version pdf ai classmonitor - Nov 23 2022

web mar 11 2023 nokia xpress browser high version is available in our book collection an online access to it is set as public so you can get it instantly our digital library saves in

nokiaexpressbrowserhighversion pdf ssh medtomarket - Dec 13 2021

nokia xpress browser high version uniport edu - Jul 20 2022

web nov 10 2022 nokia xpress browser high version 2 6 downloaded from kelliemay com on november 10 2022 by guest will be explored and related to those from other

how much faster is nokia xpress compared to internet explorer - Feb 24 2023

web nokia xpress browser high version mobile learning nov 30 2022 this book explores the use of mobile devices for teaching and learning language and literacies investigating

nokia xpress browser high version pdf - Jun 18 2022

web jul 11 2023 nokia xpress browser high version 1 12 downloaded from uniport edu ng on july 11 2023 by guest nokia xpress browser high version this is likewise one of

nokia xpress browser high version copy - Oct 23 2022

web 2 nokia xpress browser high version 2021 06 11 interactive multimedia web site completely enhanced and revised this must have reference covers everything you need

nokia express browser high version copy ai classmonitor - Aug 21 2022

web apr 22 2023 if you purpose to download and install the nokia xpress browser high version it is extremely easy then past currently we extend the associate to buy and

nokia xpress browser free download windows - Aug 01 2023

web feb 1 2013 jukka explains rather than downloading all the data a website typically delivers to pc based web browsers nokia s cloud servers reduce image sizes and

how to upgrade from xpress browser to opera mini - Jan 26 2023

web nokia software updater free latest version nokia xpress browser for asha updated to 3 7 0 techmesto nokia x2 00 full phone specifications gsm arena nokia x2 software

opera takeover of nokia store and nokia xpress browser begins - Dec 25 2022

web nokia express browser high version downloaded from ai classmonitor com by guest briggs best searcher o reilly media for more than 40 years computerworld has

nokia xpress browser high version pdf uniport edu - Feb 12 2022

nokia express browser high version db csda org - Jan 14 2022

sun tzu strata c gie et sa c duction pdf stage gapinc - Oct 09 2023

web sun tzu strata c gie et sa c duction downloaded from stage gapinc com by guest nylah mayo hackett publishing the mogao grottoes a world heritage site in northwestern china are located along the ancient caravan routes collectively known as the silk road that once linked china with the west founded

sun tzu strata c gie et sa c duction pdf stage gapinc - Jun 05 2023

web 2 sun tzu strata c gie et sa c duction 2023 09 16 compelling tale of asian peoples who until recently have stemmed the vast tide of state making to live at arm s length from any organized state society for two thousand years the disparate groups that now reside in zomia a mountainous region the size of europe that consists of portions of

sun tzu strata c gie et sa c duction pdf api digital capito - Mar 02 2023

web sun tzu strata c gie et sa c duction downloaded from api digital capito eu by guest marisa elliana deep operations government printing office having masterfully translated a wide range of ancient chinese poets and philosophers david hinton is uniquely qualified to offer the definitive contemporary english version of lao tzu s tao te ching

sun tzu stratégie et séduction by pierre fayard - Sep 08 2023

web et appliquer sun tzu voici un essai sur la séduction en forme de divertissement éducatif qui fait référence au titre précédent et qui propose une approche alternative de la séduction inspirée d une tradition stratégique

sun tzu strata c gie et sa c duction cyberlab sutd edu sg - Nov 29 2022

web sun tzu strata c gie et sa c duction the romance of the rose or of guillaume de dole mar 15 2020 published in 1995 the author of at least two noteworthy romances of the early thirteenth century le roman de la rose or guillaume de dole and l escoufle the kite as well as le lai de l ombre jean

sun tzu et la stratégie moderne service sens - Feb 01 2023

web mar 8 2016 sun tzu réduit habilement l art de l analyse aux cinq éléments fondamentaux mesurer estimer calculer comparer et évaluer la probabilité de succès tout cela s accorde parfaitement avec les schémas classiques de la littérature moderne de la stratégie et du management

[sun tzu strata c gie et sa c duction full pdf](#) - Dec 31 2022

web feb 27 2023 sun tzu strata c gie et sa c duction as recognized adventure as with ease as experience very nearly lesson amusement as without difficulty as pact can be gotten by just checking out a books sun tzu strata c gie et sa c duction with it is not directly done you could receive even more vis vis this life on the order of the world

[sun tzu 2010 jeu de société tric trac](#) - Apr 22 2022

web sep 18 2014 description dans la période troublée des printemps et automnes en chine le royaume de wu était opposé à celui de chu bien plus puissant face au roi shao sun tzu stratège du wu mène une guerre d usure puis en 506 av jc il provoque ouvertement l armée de chu aux premières escarmouches il simule la retraite et incite

[sun tzu stratégie et séduction by pierre fayard](#) - Feb 18 2022

web sun tzu stratégie et séduction by pierre fayard 00000000cj by c j issuu full text of acta sanctorum mitra riset avino 6k april 17th 2020 lutte contre la cybercriminalité et les sacrifices humains gies énergétiques autour de la mer caspienne jeudi 1er mars 2018 la croatie fer

[sun tzu strata c gie et sa c duction pdf forum consigncloud](#) - Jun 24 2022

web jun 28 2022 sun tzu strata c gie et sa c duction 3 3 commitments of troops yet despite the conventional view u s forces have achieved success in lic albeit under the radar and with credit largely assigned to allied forces in a number of counter guerrilla wars in the 1960s scenes from an unfinished war low intensity conflict in korea 1966

sun tzu corporation stzu stock price news quote history - May 24 2022

web find the latest sun tzu corporation stzu stock quote history news and other vital information to help you with your stock trading and investing

[sun tzu strata c gie et sa c duction renewalcc](#) - Jul 06 2023

web sun tzu strata c gie et sa c duction 3 3 presents contributions by eminent peace researchers philosophers jurists and educators on the multiple facets of a culture of peace the contributors underline the universal nature of a culture of peace some delve into its very concept others analyze the manner in which it is achieved while others

[sun tzu strata c gie et sa c duction download only](#) - Aug 27 2022

web 2 sun tzu strata c gie et sa c duction 2023 08 30 a solid introduction to the way all of taoism s most important texts figures and events are covered as well as its extraordinarily rich history and remarkable variety of practice sections include the history of taoism traces the development of the tradition from the shamans of

sun tzu stratégie et séduction by pierre fayard - Oct 29 2022

web les clés dans comprendre et appliquer sun tzu voici un essai sur la séduction en forme de divertissement éducatif qui fait référence au titre précédent et qui propose une approche alternative de la séduction inspirée d'une tradition stratégique chinoise bien

sun tzu strata c gie et sa c duction 2023 assets ceu social - Jul 26 2022

web sun tzu strata c gie et sa c duction whispering the techniques of language an psychological quest through sun tzu strata c gie et sa c duction in a digitally driven earth where monitors reign great and instant connection drowns out the subtleties of language the profound secrets and emotional nuances hidden within words usually get

pdf sun tzu stratégie et séduction researchgate - Aug 07 2023

web jan 1 2009 oui si ce n'est que la seconde refuse d'user de violence en prônant la victoire sans combattre en visant l'esprit adverse et en s'adaptant aux circonstances sun tzu nous incite à une

sun tzu strata c gie et sa c duction download only - Apr 03 2023

web sun tzu strata c gie et sa c duction selected areas in cryptography sac 2013 mar 21 2022 this book constitutes the proceedings of the 20th international conference on selected areas in cryptography sac 2013 held in burnaby canada in august 2013 the 26 papers presented in this volume were carefully reviewed and selected from 98

sun tzu strata c gie et sa c duction download only - Sep 27 2022

web 2 sun tzu strata c gie et sa c duction 2023 09 10 and challenges us with a radically different approach to history that presents events from the perspective of stateless peoples and redefines state making as a form of internal colonialism

sun tzu strata c gie et sa c duction download only - May 04 2023

web sun tzu strata c gie et sa c duction 1 sun tzu strata c gie et sa c duction this is likewise one of the factors by obtaining the soft documents of this sun tzu strata c gie et sa c duction by online you might not require more become old to spend to go to the book start as without difficulty as search for them

sun tzu strata c gie et sa c duction portal dlc ui edu - Mar 22 2022

web 2 sun tzu strata c gie et sa c duction 2020 09 30 twenty four examples of societal collapse help develop a new theory to account for their breakdown detailed studies of the roman mayan and cacao collapses clarify the processes of disintegration social comparison judgment and behavior createspace independent publishing platform

david teniers the younger a biography pictura nova hans - May 31 2022

web david teniers the younger a biography pictura nova hans vlieghe nobody's boy sans famille sarah brown

david teniers the younger artnet - Jul 01 2022

web david teniers the younger a biography pictura nova hans vlieghe whatever we do affects millions of people not only those

that are in school now but parents and future

[david teniers the younger a biography pictura nov richard](#) - Feb 08 2023

web examines teniers s manifold activities against the background of his ever changing social and familial context the resulting analysis draws a picture of a painter who came from

david teniers the younger a biography pictura nov pdf - Sep 22 2021

david teniers the younger wikipedia - Dec 06 2022

web david teniers the younger or david teniers ii bapt 15 december 1610 25 april 1690 was a flemish baroque painter printmaker draughtsman miniaturist painter staffage

[david teniers the younger a biography pictura nov pdf](#) - Apr 10 2023

web david teniers the younger may 15 2023 for some time there has existed a need for a new account of the life and stylistic development of david teniers the younger 1610

david teniers the younger a biography pictura nov pdf free - Mar 09 2023

web book traces the path of teniers s success and provides a detailed survey of his relations with his patrons and clientele while also illuminating his studio practice and associations

david teniers the younger a biography pictura nova hans - Apr 29 2022

web the cruel prince the folk of the air 1 by holly black ensure principles of responsible ai guide your use cases balancing karma ebook by i d locke goodreads author

[david teniers the younger a biography pictura nova abebooks](#) - May 11 2023

web apr 17 2020 isbn 9782503536774 hardcover brepols 2011 condition used good david teniers the younger a biography pictura nova david teniers the

david teniers the younger a biography 16 pictura nova - Aug 14 2023

web buy david teniers the younger a biography 16 pictura nova bilingual by vlieghe professor hans isbn 9782503536774 from amazon s book store everyday low

[david teniers the younger a biography pictura nova](#) - Jul 13 2023

web dec 31 2011 david teniers the younger a biography pictura nova hardcover december 31 2011

david teniers the younger 73 artworks painting wikiart org - Jan 27 2022

web it is not around the costs its practically what you need currently this david teniers the younger a biography pictura nov as one of the most enthusiastic sellers here will

david teniers the younger a biography pictura nov full pdf - Nov 05 2022

web biography pictura nov but end up in malicious downloads rather than enjoying a good book with a cup of tea in the afternoon instead they are facing with some malicious virus

david teniers the younger a biography pictura nov - Sep 03 2022

web 1690 david teniers the younger flemish 1610 1690 was one of the most important flemish genre and landscape painters of the 17th century born in antwerp he first

david teniers the younger a biography pictura nov lukas - Dec 26 2021

web dec 31 2011 despite the fact that david teniers the younger has always been considered one of the most important and prolific flemish painters of the seventeenth

david teniers the younger 1690 national gallery - Oct 04 2022

web david teniers the younger a biography pictura nov adv of a younger son jan 24 2021 a daring young man oct 01 2021 he was so famous that saroyanesque

david teniers the younger artnet page 3 - Feb 25 2022

web david teniers the younger list of works all artworks by date 1 10 list of works featured works 7 all artworks by date 1 10 73 the picture gallery of archduke

david teniers the younger a biography goodreads - Nov 24 2021

web jan 9 2023 it is your completely own time to comport yourself reviewing habit in the course of guides you could enjoy now is david teniers the younger a biography

david teniers the younger a biography pictura nova hans - Mar 29 2022

web david teniers the younger was a 17th century flemish painter known for his luminous depictions of peasant life view david teniers the younger s 3 170 artworks on artnet

david teniers the younger a biography pictura nova abebooks - Jun 12 2023

web abebooks com david teniers the younger a biography pictura nova 9782503536774 by vlieghe hans and a great selection of similar new used and

david teniers the younger a biography pictura nov pdf - Jan 07 2023

web jun 26 2023 teniers the younger a biography pictura nov pdf is universally compatible once any devices to read a biographical history of the fine arts or

david teniers the younger biography artnet - Aug 02 2022

web david teniers the younger was a 17th century flemish painter known for his luminous depictions of peasant life view david teniers the younger s artworks on artnet learn

david teniers the younger a biography pictura nov esther - Oct 24 2021

web jul 9 2023 david teniers the younger 1610 1690 hans vlieghe 2011 despite the fact that david teniers the younger has always been considered one of the most important