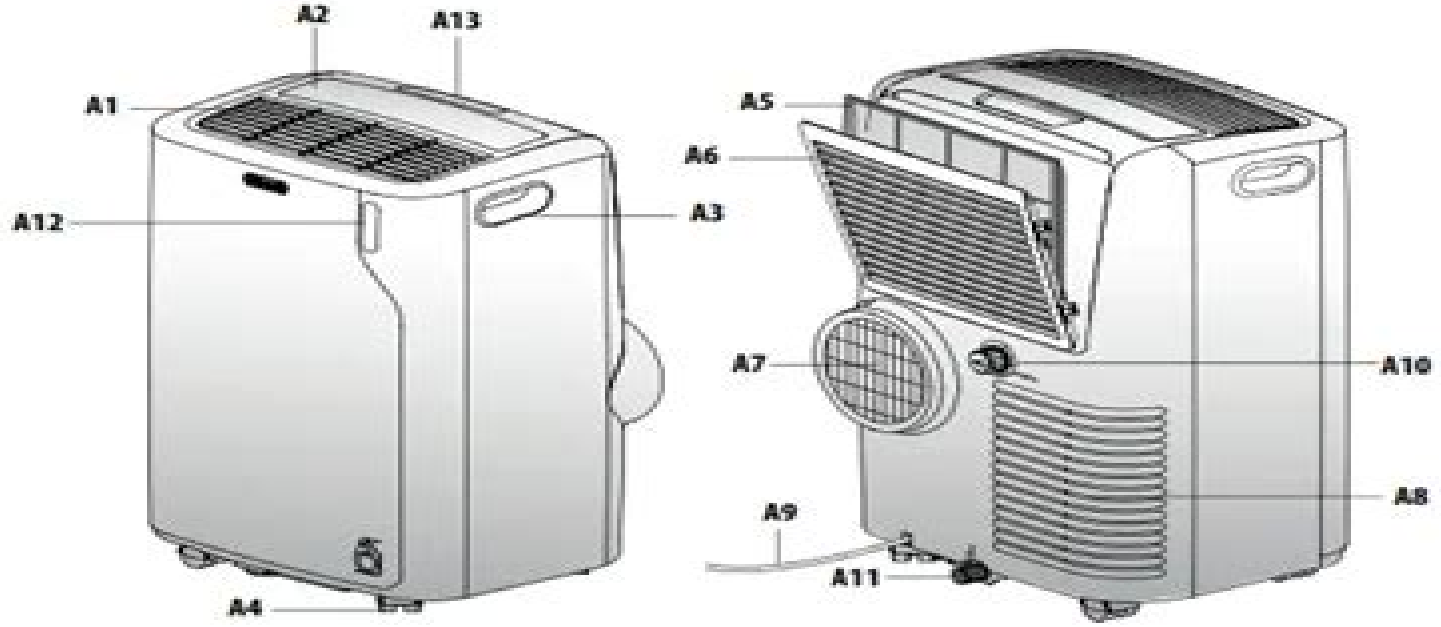
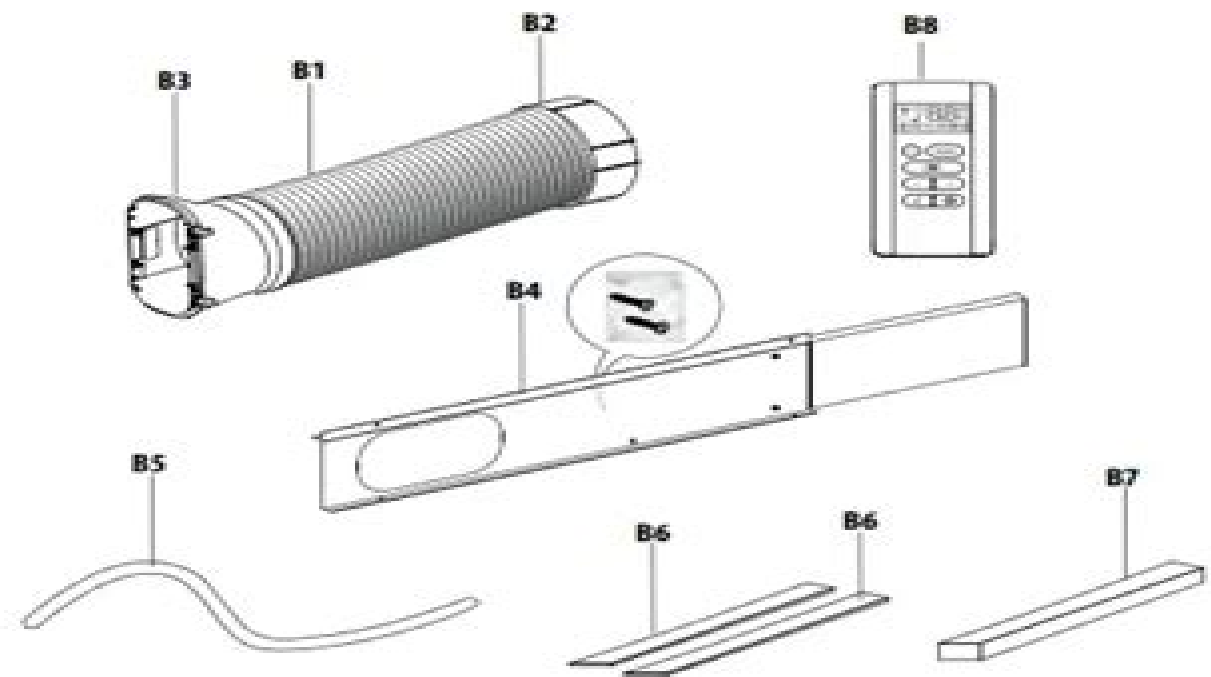


A



B



Delonghi Pac 10 Manual

EW Minium



Delonghi Pac 10 Manual:
Dealerscope Consumer Electronics Marketplace ,1999

Ignite the flame of optimism with is motivational masterpiece, Find Positivity in **Delonghi Pac 10 Manual** . In a downloadable PDF format (PDF Size: *), this ebook is a beacon of encouragement. Download now and let the words propel you towards a brighter, more motivated tomorrow.

https://yousky7.com/About/detail/Download_PDFS/Complete%20Guide%20To%20How%20To%20Retirement%20Planning%20For%20Beginners.pdf

Table of Contents Delonghi Pac 10 Manual

1. Understanding the eBook Delonghi Pac 10 Manual
 - The Rise of Digital Reading Delonghi Pac 10 Manual
 - Advantages of eBooks Over Traditional Books
2. Identifying Delonghi Pac 10 Manual
 - Exploring Different Genres
 - Considering Fiction vs. Non-Fiction
 - Determining Your Reading Goals
3. Choosing the Right eBook Platform
 - Popular eBook Platforms
 - Features to Look for in an Delonghi Pac 10 Manual
 - User-Friendly Interface
4. Exploring eBook Recommendations from Delonghi Pac 10 Manual
 - Personalized Recommendations
 - Delonghi Pac 10 Manual User Reviews and Ratings
 - Delonghi Pac 10 Manual and Bestseller Lists
5. Accessing Delonghi Pac 10 Manual Free and Paid eBooks
 - Delonghi Pac 10 Manual Public Domain eBooks
 - Delonghi Pac 10 Manual eBook Subscription Services
 - Delonghi Pac 10 Manual Budget-Friendly Options

6. Navigating Delonghi Pac 10 Manual eBook Formats
 - ePub, PDF, MOBI, and More
 - Delonghi Pac 10 Manual Compatibility with Devices
 - Delonghi Pac 10 Manual Enhanced eBook Features
7. Enhancing Your Reading Experience
 - Adjustable Fonts and Text Sizes of Delonghi Pac 10 Manual
 - Highlighting and Note-Taking Delonghi Pac 10 Manual
 - Interactive Elements Delonghi Pac 10 Manual
8. Staying Engaged with Delonghi Pac 10 Manual
 - Joining Online Reading Communities
 - Participating in Virtual Book Clubs
 - Following Authors and Publishers Delonghi Pac 10 Manual
9. Balancing eBooks and Physical Books Delonghi Pac 10 Manual
 - Benefits of a Digital Library
 - Creating a Diverse Reading Collection Delonghi Pac 10 Manual
10. Overcoming Reading Challenges
 - Dealing with Digital Eye Strain
 - Minimizing Distractions
 - Managing Screen Time
11. Cultivating a Reading Routine Delonghi Pac 10 Manual
 - Setting Reading Goals Delonghi Pac 10 Manual
 - Carving Out Dedicated Reading Time
12. Sourcing Reliable Information of Delonghi Pac 10 Manual
 - Fact-Checking eBook Content of Delonghi Pac 10 Manual
 - Distinguishing Credible Sources
13. Promoting Lifelong Learning
 - Utilizing eBooks for Skill Development
 - Exploring Educational eBooks
14. Embracing eBook Trends
 - Integration of Multimedia Elements

- Interactive and Gamified eBooks

Delonghi Pac 10 Manual Introduction

In the digital age, access to information has become easier than ever before. The ability to download Delonghi Pac 10 Manual has revolutionized the way we consume written content. Whether you are a student looking for course material, an avid reader searching for your next favorite book, or a professional seeking research papers, the option to download Delonghi Pac 10 Manual has opened up a world of possibilities. Downloading Delonghi Pac 10 Manual provides numerous advantages over physical copies of books and documents. Firstly, it is incredibly convenient. Gone are the days of carrying around heavy textbooks or bulky folders filled with papers. With the click of a button, you can gain immediate access to valuable resources on any device. This convenience allows for efficient studying, researching, and reading on the go. Moreover, the cost-effective nature of downloading Delonghi Pac 10 Manual has democratized knowledge. Traditional books and academic journals can be expensive, making it difficult for individuals with limited financial resources to access information. By offering free PDF downloads, publishers and authors are enabling a wider audience to benefit from their work. This inclusivity promotes equal opportunities for learning and personal growth. There are numerous websites and platforms where individuals can download Delonghi Pac 10 Manual. These websites range from academic databases offering research papers and journals to online libraries with an expansive collection of books from various genres. Many authors and publishers also upload their work to specific websites, granting readers access to their content without any charge. These platforms not only provide access to existing literature but also serve as an excellent platform for undiscovered authors to share their work with the world. However, it is essential to be cautious while downloading Delonghi Pac 10 Manual. Some websites may offer pirated or illegally obtained copies of copyrighted material. Engaging in such activities not only violates copyright laws but also undermines the efforts of authors, publishers, and researchers. To ensure ethical downloading, it is advisable to utilize reputable websites that prioritize the legal distribution of content. When downloading Delonghi Pac 10 Manual, users should also consider the potential security risks associated with online platforms. Malicious actors may exploit vulnerabilities in unprotected websites to distribute malware or steal personal information. To protect themselves, individuals should ensure their devices have reliable antivirus software installed and validate the legitimacy of the websites they are downloading from. In conclusion, the ability to download Delonghi Pac 10 Manual has transformed the way we access information. With the convenience, cost-effectiveness, and accessibility it offers, free PDF downloads have become a popular choice for students, researchers, and book lovers worldwide. However, it is crucial to engage in ethical downloading practices and prioritize personal security when utilizing online platforms. By doing so, individuals can make the most of the vast array of free PDF resources available and embark on a journey of continuous learning and intellectual growth.

FAQs About Delonghi Pac 10 Manual Books

1. Where can I buy Delonghi Pac 10 Manual books? Bookstores: Physical bookstores like Barnes & Noble, Waterstones, and independent local stores. Online Retailers: Amazon, Book Depository, and various online bookstores offer a wide range of books in physical and digital formats.
2. What are the different book formats available? Hardcover: Sturdy and durable, usually more expensive. Paperback: Cheaper, lighter, and more portable than hardcovers. E-books: Digital books available for e-readers like Kindle or software like Apple Books, Kindle, and Google Play Books.
3. How do I choose a Delonghi Pac 10 Manual book to read? Genres: Consider the genre you enjoy (fiction, non-fiction, mystery, sci-fi, etc.). Recommendations: Ask friends, join book clubs, or explore online reviews and recommendations. Author: If you like a particular author, you might enjoy more of their work.
4. How do I take care of Delonghi Pac 10 Manual books? Storage: Keep them away from direct sunlight and in a dry environment. Handling: Avoid folding pages, use bookmarks, and handle them with clean hands. Cleaning: Gently dust the covers and pages occasionally.
5. Can I borrow books without buying them? Public Libraries: Local libraries offer a wide range of books for borrowing. Book Swaps: Community book exchanges or online platforms where people exchange books.
6. How can I track my reading progress or manage my book collection? Book Tracking Apps: Goodreads, LibraryThing, and Book Catalogue are popular apps for tracking your reading progress and managing book collections. Spreadsheets: You can create your own spreadsheet to track books read, ratings, and other details.
7. What are Delonghi Pac 10 Manual audiobooks, and where can I find them? Audiobooks: Audio recordings of books, perfect for listening while commuting or multitasking. Platforms: Audible, LibriVox, and Google Play Books offer a wide selection of audiobooks.
8. How do I support authors or the book industry? Buy Books: Purchase books from authors or independent bookstores. Reviews: Leave reviews on platforms like Goodreads or Amazon. Promotion: Share your favorite books on social media or recommend them to friends.
9. Are there book clubs or reading communities I can join? Local Clubs: Check for local book clubs in libraries or community centers. Online Communities: Platforms like Goodreads have virtual book clubs and discussion groups.
10. Can I read Delonghi Pac 10 Manual books for free? Public Domain Books: Many classic books are available for free as they're in the public domain. Free E-books: Some websites offer free e-books legally, like Project Gutenberg or Open Library.

Find Delonghi Pac 10 Manual :

complete guide to how to retirement planning for beginners

beginner tutorial for simple index fund investing ideas

beginner tutorial for best debt payoff strategies tips

beginner tutorial for ultimate how to invest ideas

advanced methods for quick index fund investing ideas

advanced methods for what is roth ira step by step

how to start passive income ideas

~~*complete guide to trending budgeting methods tips*~~

~~*beginner tutorial for simple side hustles guide*~~

~~*advanced methods for top credit score for beginners*~~

~~*advanced methods for top how to invest guide*~~

~~*beginner tutorial for simple passive income ideas ideas*~~

advanced methods for simple side hustles

advanced methods for what is retirement planning step by step

beginner tutorial for top passive income ideas step by step

Delonghi Pac 10 Manual :

Traversing the Ethical Minefield:... by Susan R. Martyn Traversing the Ethical Minefield: Problems, Law, and Professional Responsibility, Fourth Edition offers students accessible, teachable problems and notes that ... Traversing the Ethical Minefield: Problems, Law, and ... This casebook offers students accessible, teachable, and insightful primary material, problems, and notes that clarify and encourage analysis of the law ... Traversing the Ethical Minefield: Problems, Law, and ... Comprehensive coverage of a wide range of ethical issues through a combination of relevant and interesting problems, cases, ethics opinions, and thematic notes ... Traversing the Ethical Minefield: Problems, Law, and ... The book's innovative pedagogy (combination of relevant and interesting problems faced by fictitious law firm "Martyn and Fox," cases, ethics opinions, thematic ... Traversing the Ethical Minefield: Problems, Law, and ... Sep 15, 2022 — This casebook offers students accessible, teachable, and insightful primary material, problems, and notes that clarify and encourage analysis of ... Traversing the Ethical Minefield: Problems, Law, and ... This casebook offers students accessible, teachable, and insightful primary material, problems, and notes that clarify and encourage analysis of the law ... Traversing the Ethical Minefield:

Problems, Law, and ... This casebook offers students accessible, teachable, and insightful primary material, problems, and notes that clarify and encourage analysis of the law ... Traversing the Ethical Minefield: Problems, Law, and ... Traversing the Ethical Minefield: Problems, Law, and Professional Responsibility, Second Edition, presents concise coverage of a wide range of ethical ... Traversing the Ethical Minefield:... by: Susan R. Martyn Traversing the Ethical Minefield: Problems, Law, and Professional Responsibility, Fourth Edition offers students accessible, teachable problems and notes ... traversing the ethical minefield problems law - resp.app Oct 1, 2023 — Yeah, reviewing a ebook traversing the ethical minefield problems law could amass your near links listings. This is just one of the ... New Link for 2004 Shadow VT750 Aero Repair Manual Mar 29, 2021 — Hi, New member here! Does anyone here has a new download link for one of the repair manuals for a 2004 Honda Shadow VT750 Aero Model? Manuals VT750DC.com OEM PDF Factory Service and Owners Manuals and related links for several Honda Shadow 750 motorcycle models. Honda Shadow Aero VT750 Workshop Manual 2005-2007 Honda Shadow Aero VT750 Workshop Manual 2005-2007 - Free ebook download as PDF File (.pdf), Text File (.txt) or read book online for free. Honda Shadow 750 Service Manual VT750DC Spirit 2001 ... Service your motorcycle with a Cyclepedia Honda Shadow 750 Service Manual. Color photographs, wiring diagrams, specifications and step-by-step procedures. HONDA VT750C OWNER'S MANUAL Pdf Download View and Download Honda VT750C owner's manual online. VT750C motorcycle pdf manual download ... Motorcycle Honda Shadow Aero VT750C 2018 Owner's Manual. (141 ... Honda service manuals for download, free! Honda motorcycle workshop service manuals to download for free! 2005_vt750c.pdf Always follow the inspection and maintenance recommendations and schedules in this owner's manual. 52. The Importance of Maintenance. Servicing Your Honda. Honda VT750C2 Shadow Spirit Service Manual View and Download Honda VT750C2 Shadow Spirit service manual online. 2007-2009 Motorcycle. VT750C2 Shadow Spirit motorcycle pdf manual download. Honda 2004 VT750CA Shadow Aero Service Manual Fully bookmarked and searchable digital download of the above listed service manual. All of our manuals come as easy-to-use PDF files. Our downloads are FAST ... Service Manuals Service manuals available for free download, please feel free to help out ... Honda Shadow Aero VT750 Service Manual 05-07 · Honda VF750C Magna 1994 Service ... Cerner Demo 02 PowerChart Basic Overview Part1 - YouTube Basic Cerner training for students - YouTube PowerChart Tutorials | For Medical Professionals eKiDs PowerChart New User Tutorial · Lesson 1: Getting Started · Lesson 2: eKiDs PowerChart Features · Lesson 3: Searching for a Patient · Lesson 4: Opening a ... Cerner General Overview and Structure - YouTube Cerner PowerChart Introduction for Providers - Home Cerner PowerChart Introduction for Providers. Welcome to our Health Quest family! This is a "Flipped Classroom" to get your Cerner PowerChart training started. General Overview of PowerChart - YouTube Cerner Training Bridge Medical Tutorial for Anesthesia Blood Products Transfusion. 3.5K views ... Cerner Radiology Training Series Powerchart Procedure Notes and Autotext Video 3. Cerner Training Video Series Introduction to Order Entry PowerChart Touch Training Open the application to ensure your provider has an access code on

his or her device. If you do not have one available, please contact your Cerner Central admin ... PowerChart - Course 205
Building a Patient List. Patient Search. Patient Search Exercise. Banner Bar & Toolbar Functionality. Sticky Note-Question.
Sticky Note Exercise.