

Die verbotene Aufenthalt im Gefahrenbereich des Motors zu vermeiden

**DIESEL**

**DEAG**

**HYDRAULIKÖL**  
Spezifikation siehe Antriebsleistung

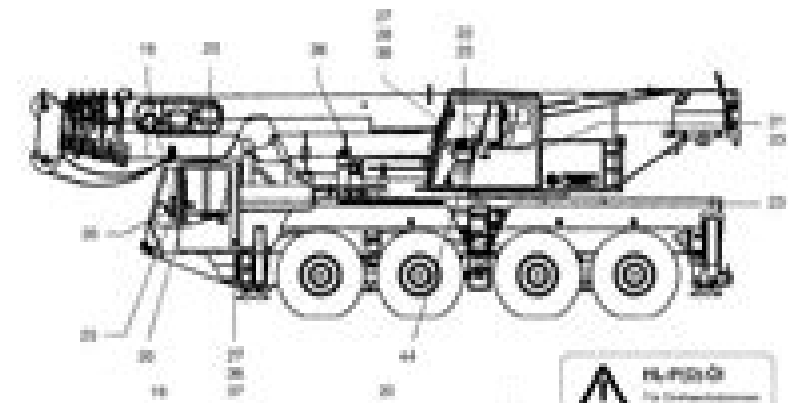
**7 bar**

**62**

**Motor Stop**

**175-0071b**

Seite Page 1 / 20



**HL-PDS-Oil**  
Für Dieselmotoren  
und Antriebsaggregate  
**USE ONLY HL-PDS-OIL**  
for diesel engines, generator sets

**CE** Zulassung  
gemäß CE für den  
Transport  
und nicht für die  
Antriebsleistung

**Demag**

**CE**

**175-0071b**

Seite Page 2 / 20

# Demag Crane Parts Manual

**Julia Schneider**



## **Demag Crane Parts Manual:**

This is likewise one of the factors by obtaining the soft documents of this **Demag Crane Parts Manual** by online. You might not require more get older to spend to go to the book launch as skillfully as search for them. In some cases, you likewise do not discover the statement Demag Crane Parts Manual that you are looking for. It will utterly squander the time.

However below, behind you visit this web page, it will be correspondingly extremely easy to get as well as download guide Demag Crane Parts Manual

It will not acknowledge many period as we notify before. You can pull off it while affect something else at home and even in your workplace. therefore easy! So, are you question? Just exercise just what we have the funds for under as skillfully as review **Demag Crane Parts Manual** what you following to read!

[https://yousky7.com/data/Resources/Download\\_PDFS/Beauty%20Awakened%20Angels%20Of%20The%20Dark%20Book%20.pdf](https://yousky7.com/data/Resources/Download_PDFS/Beauty%20Awakened%20Angels%20Of%20The%20Dark%20Book%20.pdf)

## **Table of Contents Demag Crane Parts Manual**

1. Understanding the eBook Demag Crane Parts Manual
  - The Rise of Digital Reading Demag Crane Parts Manual
  - Advantages of eBooks Over Traditional Books
2. Identifying Demag Crane Parts Manual
  - Exploring Different Genres
  - Considering Fiction vs. Non-Fiction
  - Determining Your Reading Goals
3. Choosing the Right eBook Platform
  - Popular eBook Platforms
  - Features to Look for in an Demag Crane Parts Manual
  - User-Friendly Interface
4. Exploring eBook Recommendations from Demag Crane Parts Manual

- Personalized Recommendations
  - Demag Crane Parts Manual User Reviews and Ratings
  - Demag Crane Parts Manual and Bestseller Lists
5. Accessing Demag Crane Parts Manual Free and Paid eBooks
    - Demag Crane Parts Manual Public Domain eBooks
    - Demag Crane Parts Manual eBook Subscription Services
    - Demag Crane Parts Manual Budget-Friendly Options
  6. Navigating Demag Crane Parts Manual eBook Formats
    - ePub, PDF, MOBI, and More
    - Demag Crane Parts Manual Compatibility with Devices
    - Demag Crane Parts Manual Enhanced eBook Features
  7. Enhancing Your Reading Experience
    - Adjustable Fonts and Text Sizes of Demag Crane Parts Manual
    - Highlighting and Note-Taking Demag Crane Parts Manual
    - Interactive Elements Demag Crane Parts Manual
  8. Staying Engaged with Demag Crane Parts Manual
    - Joining Online Reading Communities
    - Participating in Virtual Book Clubs
    - Following Authors and Publishers Demag Crane Parts Manual
  9. Balancing eBooks and Physical Books Demag Crane Parts Manual
    - Benefits of a Digital Library
    - Creating a Diverse Reading Collection Demag Crane Parts Manual
  10. Overcoming Reading Challenges
    - Dealing with Digital Eye Strain
    - Minimizing Distractions
    - Managing Screen Time
  11. Cultivating a Reading Routine Demag Crane Parts Manual
    - Setting Reading Goals Demag Crane Parts Manual
    - Carving Out Dedicated Reading Time
  12. Sourcing Reliable Information of Demag Crane Parts Manual

- Fact-Checking eBook Content of Demag Crane Parts Manual
  - Distinguishing Credible Sources
13. Promoting Lifelong Learning
- Utilizing eBooks for Skill Development
  - Exploring Educational eBooks
14. Embracing eBook Trends
- Integration of Multimedia Elements
  - Interactive and Gamified eBooks

### **Demag Crane Parts Manual Introduction**

In this digital age, the convenience of accessing information at our fingertips has become a necessity. Whether its research papers, eBooks, or user manuals, PDF files have become the preferred format for sharing and reading documents. However, the cost associated with purchasing PDF files can sometimes be a barrier for many individuals and organizations. Thankfully, there are numerous websites and platforms that allow users to download free PDF files legally. In this article, we will explore some of the best platforms to download free PDFs. One of the most popular platforms to download free PDF files is Project Gutenberg. This online library offers over 60,000 free eBooks that are in the public domain. From classic literature to historical documents, Project Gutenberg provides a wide range of PDF files that can be downloaded and enjoyed on various devices. The website is user-friendly and allows users to search for specific titles or browse through different categories. Another reliable platform for downloading Demag Crane Parts Manual free PDF files is Open Library. With its vast collection of over 1 million eBooks, Open Library has something for every reader. The website offers a seamless experience by providing options to borrow or download PDF files. Users simply need to create a free account to access this treasure trove of knowledge. Open Library also allows users to contribute by uploading and sharing their own PDF files, making it a collaborative platform for book enthusiasts. For those interested in academic resources, there are websites dedicated to providing free PDFs of research papers and scientific articles. One such website is Academia.edu, which allows researchers and scholars to share their work with a global audience. Users can download PDF files of research papers, theses, and dissertations covering a wide range of subjects. Academia.edu also provides a platform for discussions and networking within the academic community. When it comes to downloading Demag Crane Parts Manual free PDF files of magazines, brochures, and catalogs, Issuu is a popular choice. This digital publishing platform hosts a vast collection of publications from around the world. Users can search for specific titles or explore various categories and genres. Issuu offers a seamless reading experience with its user-friendly interface and allows users to download PDF files for offline reading. Apart from dedicated

platforms, search engines also play a crucial role in finding free PDF files. Google, for instance, has an advanced search feature that allows users to filter results by file type. By specifying the file type as "PDF," users can find websites that offer free PDF downloads on a specific topic. While downloading Demag Crane Parts Manual free PDF files is convenient, it's important to note that copyright laws must be respected. Always ensure that the PDF files you download are legally available for free. Many authors and publishers voluntarily provide free PDF versions of their work, but it's essential to be cautious and verify the authenticity of the source before downloading Demag Crane Parts Manual. In conclusion, the internet offers numerous platforms and websites that allow users to download free PDF files legally. Whether it's classic literature, research papers, or magazines, there is something for everyone. The platforms mentioned in this article, such as Project Gutenberg, Open Library, Academia.edu, and Issuu, provide access to a vast collection of PDF files. However, users should always be cautious and verify the legality of the source before downloading Demag Crane Parts Manual any PDF files. With these platforms, the world of PDF downloads is just a click away.

### **FAQs About Demag Crane Parts Manual Books**

How do I know which eBook platform is the best for me? Finding the best eBook platform depends on your reading preferences and device compatibility. Research different platforms, read user reviews, and explore their features before making a choice. Are free eBooks of good quality? Yes, many reputable platforms offer high-quality free eBooks, including classics and public domain works. However, make sure to verify the source to ensure the eBook credibility. Can I read eBooks without an eReader? Absolutely! Most eBook platforms offer webbased readers or mobile apps that allow you to read eBooks on your computer, tablet, or smartphone. How do I avoid digital eye strain while reading eBooks? To prevent digital eye strain, take regular breaks, adjust the font size and background color, and ensure proper lighting while reading eBooks. What the advantage of interactive eBooks? Interactive eBooks incorporate multimedia elements, quizzes, and activities, enhancing the reader engagement and providing a more immersive learning experience. Demag Crane Parts Manual is one of the best book in our library for free trial. We provide copy of Demag Crane Parts Manual in digital format, so the resources that you find are reliable. There are also many Ebooks of related with Demag Crane Parts Manual. Where to download Demag Crane Parts Manual online for free? Are you looking for Demag Crane Parts Manual PDF? This is definitely going to save you time and cash in something you should think about. If you trying to find then search around for online. Without a doubt there are numerous these available and many of them have the freedom. However without doubt you receive whatever you purchase. An alternate way to get ideas is always to check another Demag Crane Parts Manual. This method for see exactly what may be included and adopt these ideas to your book. This site will almost certainly help you save time and

effort, money and stress. If you are looking for free books then you really should consider finding to assist you try this. Several of Demag Crane Parts Manual are for sale to free while some are payable. If you arent sure if the books you would like to download works with for usage along with your computer, it is possible to download free trials. The free guides make it easy for someone to free access online library for download books to your device. You can get free download on free trial for lots of books categories. Our library is the biggest of these that have literally hundreds of thousands of different products categories represented. You will also see that there are specific sites catered to different product types or categories, brands or niches related with Demag Crane Parts Manual. So depending on what exactly you are searching, you will be able to choose e books to suit your own need. Need to access completely for Campbell Biology Seventh Edition book? Access Ebook without any digging. And by having access to our ebook online or by storing it on your computer, you have convenient answers with Demag Crane Parts Manual To get started finding Demag Crane Parts Manual, you are right to find our website which has a comprehensive collection of books online. Our library is the biggest of these that have literally hundreds of thousands of different products represented. You will also see that there are specific sites catered to different categories or niches related with Demag Crane Parts Manual So depending on what exactly you are searching, you will be able to choose ebook to suit your own need. Thank you for reading Demag Crane Parts Manual. Maybe you have knowledge that, people have search numerous times for their favorite readings like this Demag Crane Parts Manual, but end up in harmful downloads. Rather than reading a good book with a cup of coffee in the afternoon, instead they juggled with some harmful bugs inside their laptop. Demag Crane Parts Manual is available in our book collection an online access to it is set as public so you can download it instantly. Our digital library spans in multiple locations, allowing you to get the most less latency time to download any of our books like this one. Merely said, Demag Crane Parts Manual is universally compatible with any devices to read.

### **Find Demag Crane Parts Manual :**

*beauty awakened angels of the dark book 2*

**bedford fowler statics solution manual**

bece2014 civic education question

**beaulieu 2008s super 8 camera manual**

**beef teriyaki marinade recipe**

*becoming jane austen*

**beaches optional sats**

beer irish recipe stew



**becker sar df 517 manual**

beginners guide to wpa cracking

beginning c programming peter paul

becoming the whiskey princess taking risks book english edition

**beginners guide to using a laptop**

~~beginners guide to networking~~

**beacon medaes 2nfpa 9changes**

**Demag Crane Parts Manual :**

*american government roots and reform ap edition* - Jul 02 2023

web american government roots and reform 2014 elections and updates edition ap edition by karen o connor jan 1 2016 10

hardcover 4005 3 99 delivery oct 31

**american government roots and reform 14th edition pearson** - Aug 03 2023

web jul 23 2021 american government roots and reform i m a student i m an educator american government roots and

reform 14th edition published by pearson july

**loading interface goodreads** - Jan 16 2022

**american government roots and reform abebooks** - Dec 15 2021

*american government roots and reform ap edition hardcover* - Nov 25 2022

web jan 1 1993 editions for american government roots and reform 0205825850 paperback published in 2011 0205652190

paperback published in 2008 0205771300

**american government roots and reform ap** - Oct 05 2023

web roots and reform 2016 presidential election edition thirteenth edition ap edition karen o connor jonathan n helfat

distinguished professor of political science

**american government roots and reform 2009 edition 10th** - Apr 18 2022

web oct 24 2023 american government roots and reform 2014 elections and updates edition ap edition by karen o connor

isbn 10 0133991768 isbn 13

american government roots and reform 2016 - Mar 30 2023

web american government roots and reform ap edition by pearson education inc isbn 10 0132582449 isbn 13

9780132582445 pearson prentice hall 2011 hardcover

*editions of american government roots and reform by karen* - Jul 22 2022

web jan 1 2011 american government roots and reform ap edition by karen o connor isbn 13 9780132582445 isbn 10 0132582449 hardcover pearson prentice hall isbn

**american government roots and reform ap edition 14th** - Oct 25 2022

web buy american government roots and reform ap edition 13th edition 9780134611648 by karen o connor and larry j sabato for up to 90 off at

american government pearson education - Sep 04 2023

web american government roots and reform 14th edition best value etextbook from 10 99 mo print 74 99 revel 74 99 12 month access revel revel for american

**american government roots and reform ap edition** - Mar 18 2022

web jan 1 2016 american government roots and reform 2014 elections and updates edition ap edition hardcover january 1 2016 by karen o connor author 3 9 out

**american government roots and reform 2014 elections and** - Nov 13 2021

**amazon com american government roots and reform** - Feb 26 2023

web american government roots and reform ap edition 14th author s sabato o connor publisher savvas learning company format hardcover isbn 978 0 13 692770 9

*american government roots and reform 2020 presidential* - Sep 23 2022

web american government roots and reform 2020 presidential election edition o connor and sabato by providing information about the roots of government and explaining why

*american government roots and reform 2020* - Jun 01 2023

web american government roots and reform ap edition 2016 presidential election 13th edition by o connor sabato isbn 10 0134611640 isbn 13 9780134611648

american government roots and reform ap edition - Feb 14 2022

*american government roots and reform 2020 presidential* - May 20 2022

web discover and share books you love on goodreads

**american government roots and reform 2020 presidential** - Apr 30 2023

web jul 8 2021 your students deserve more than just a digital textbook revel combines content media and assessment to

create an engaging immersive experience that lets

**american government roots and reform ap edition abebooks** - Jan 28 2023

web american government roots and reform 2020 presidential elecetion edition fourteenth edition ap edition c 2022

9780136927709 013692770x by karen

american government roots and reform ap edition 20 - Aug 23 2022

web jan 1 2008 revel for american government roots and reform 2016 presidential election edition access card 13th edition  
9 00 only 1 left in stock order soon

*american government roots and reform ap edition* - Jun 20 2022

web updated in a new 2011 edition american government roots and reform provides the historical context students need to  
understand our government and the most crucial and

**american government roots and reform pearson** - Dec 27 2022

web jan 1 2017 american government roots and reform ap edition 2016 presidential election 13th edition

**paper 2 afrikaans 2013 november nsc examination papers pdf** - May 30 2023

web jan 10 2023 use paper 2 afrikaans 2013 november nsc examination papers to revise and prepare for the upcoming  
national senior certificate nsc examinations exams

**paper 2 afrikaans nsc past papers november 2021 mabumbe** - Mar 16 2022

web jun 23 2022 download paper 2 afrikaans nsc past papers november 2021 in south africa and browse through our post to  
find detailed information about paper 2

**2021 nsc november past papers national department of basic** - Aug 01 2023

web paper 2 afrikaans 3 14 2022 download paper 2 english 3 14 2022 download paper 2 addendum afrikaans 3 14 2022  
download paper 2 addendum english 3 14 2022

**paper 2 afrikaans 2013 november nsc examination papers** - Sep 02 2023

web paper 2 afrikaans 2013 november nsc examination papers june 28 2022

afrikaans hl p3 2013 feb march nsc examination papers - Dec 13 2021

web jun 28 2022 afrikaans hl p3 is a type of paper which south africa student should seat after having read afrikaans  
subject that means this afrikaans hl p3 papers is a

**afrikaans paper 2 nsc 2013 ai classmonitor com** - Oct 23 2022

web download paper 1 afrikaans download 2013 november nsc examination papers digital streetthis afrikaans paper 2 nsc  
2013 as one of the most practicing sellers here

paper 2 afrikaans 2013 november nsc examination papers - Apr 28 2023

web jun 29 2022 paper 2 afrikaans 2013 november nsc examination papers grade 12 past papers paper 2 afrikaans 2013 november nsc examination papers grade 12

**paper 2 afrikaans 2013 november nsc examination papers** - Feb 24 2023

web may 22 2023 paper 2 afrikaans 2013 november nsc examination papers grade 12 past papers paper 2 afrikaans 2013 november nsc examination papers grade 12

[national department of basic education curriculum national](#) - Oct 03 2023

web national department of basic education curriculum national senior certificate nsc examinations nsc november 2013 examination papers memo 1 afrikaans memo 1

**nsc november 2015 question papers afrikaans fal p3** - Dec 25 2022

web nsc november 2015 question papers afrikaans fal p3 nov 2015 r free by national examiners download type pdf size 0 63mb share this content nov final

**2022 nsc november past papers national department of basic** - Jun 18 2022

web 2022 nsc november past papers national senior certificate nsc examinations setswana fal p1 setswana fal p1 memo setswana fal p2 setswana fal p2

[afrikaans paper 2 nsc 2013 pdf uniport edu](#) - Sep 21 2022

web may 31 2023 english across the curriculum bruce morrison 2021 inspired by papers presented at the second international english across the curriculum eac conference

**afrikaans paper 2 nsc 2013 copy uniport edu** - Aug 21 2022

web may 19 2023 afrikaans paper 2 nsc 2013 2 10 downloaded from uniport edu ng on may 19 2023 by guest in search of history jean bottaro 1995 who s who of southern africa

*nsc exam papers feb march 2013 pdf sa online portal* - Feb 12 2022

web the nsc exam papers feb march 2013 pdf contains afrikaans english mathematics isindebele isixhosa isizulu sepedi sesotho accounting agricultural management

**afrikaans paper 2 nsc 2013 pdf uniport edu** - Nov 23 2022

web apr 9 2023 afrikaans paper 2 nsc 2013 2 5 downloaded from uniport edu ng on april 9 2023 by guest of the liberation struggle in south africa and in contributing to the downfall

**afrikaans fal p2 memo 2013 feb march nsc examination** - Jan 26 2023

web jun 28 2022 exam type national senior certificate nsc examinations year of exam 2013 feb march nsc examination papers subject afrikaans paper afrikaans fal

**paper 2 afrikaans 2013 feb march nsc examination papers** - Mar 28 2023

web jun 29 2022 [previous exam papers gr 10 11 12 paper 2 afrikaans 2013 feb march nsc examination papers exam type national senior certificate nsc examinations](#)

[2013 november nsc examination papers digital street](#) - Apr 16 2022

web nov 2 2023 [memo 2 afrikaans download memo 2 english download p1 it learner files download paper 1 afrikaans download paper 1 english download paper 2](#)

[afrikaans hl p1 2013 feb march nsc examination papers](#) - Jan 14 2022

web jun 28 2022 [on this page you will be able to download afrikaans hl p1 past papers from national senior certificate nsc examinations for 2013 feb march nsc](#)

**afrikaans paper 2 nsc 2013 uniport edu** - Jul 20 2022

web afrikaans paper 2 nsc 2013 1 6 downloaded from uniport edu ng on april 4 2023 by guest afrikaans paper 2 nsc 2013 getting the books afrikaans paper 2 nsc 2013 now is not

**non language exam papers national department of** - May 18 2022

web memo 2 afrikaans download memo 2 english download paper 1 afrikaans download paper 1 english download paper 2 afrikaans download paper 2

[paper 2 afrikaans 2013 november nsc examination papers](#) - Jun 30 2023

web may 9 2023 [paper 2 afrikaans 2013 november nsc examination papers grade 12 past papers paper 2 afrikaans 2013 november nsc examination papers grade 12 grade](#)

[electrolux ewf 1080 user information pdf download manualslib](#) - Dec 07 2022

web view and download electrolux ewf 1080 user information online electrolux washing machine ewf 1080 washer pdf manual download

[electrolux ewf10831 user manual pdf download manualslib](#) - Jun 13 2023

web view and download electrolux ewf10831 user manual online electrolux washing machine ewf10831 washer pdf manual download also for ewf10831g

[electrolux ewf 1087 instruction booklet manualslib](#) - Apr 11 2023

web view and download electrolux ewf 1087 instruction booklet online ewf 1087 washer pdf manual download

[electrolux ewf 1282 user manual pdf download manualslib](#) - Jun 01 2022

web view and download electrolux ewf 1282 user manual online 8kg sensitive wash system time manager ewf 1282 washer pdf manual download

**electrolux ewf14012 user manual pdf download manualslib** - Feb 26 2022

web view and download electrolux ewf14012 user manual online ewf14012 washer pdf manual download

*electrolux washer user manuals download manualslib* - Jan 08 2023

web download 1663 electrolux washer pdf manuals user manuals electrolux washer operating guides and service manuals

**electrolux ewf 1028 instruction booklet pdf** - Nov 06 2022

web view and download electrolux ewf 1028 instruction booklet online electrolux washing machine ewf 1028 washer pdf manual download

[electrolux ewf14113 user manual pdf download manualslib](#) - Jan 28 2022

web view and download electrolux ewf14113 user manual online ewf14113 washer pdf manual download

[electrolux ewf10841 user manual pdf download manualslib](#) - Apr 30 2022

web view and download electrolux ewf10841 user manual online electrolux washing machine ewf10841 washer pdf manual download

[electrolux ewf1070m service manual pdf download manualslib](#) - Aug 15 2023

web view and download electrolux ewf1070m service manual online front load washing machine hw c series ewf1070m washer pdf manual download also for ewf1070w

*electrolux ewf 1082 user manual pdf download manualslib* - Oct 05 2022

web view and download electrolux ewf 1082 user manual online electrolux washing machine ewf 1082 washer pdf manual download

**electrolux ewf 1060 instruction booklet pdf download manualslib** - Mar 10 2023

web view and download electrolux ewf 1060 instruction booklet online front loading washing machine ewf 1060 washer pdf manual download

*electrolux ewf 10040w user manual pdf download manualslib* - Feb 09 2023

web view and download electrolux ewf 10040w user manual online electrolux washing machine user manual ewf 10040w washer pdf manual download also for ewf 12040 w ewf 10279 w ewf 8040 w

*electrolux ewf 1073 user manual pdf download manualslib* - May 12 2023

web view and download electrolux ewf 1073 user manual online electrolux washing machine ewf 1073 washer pdf manual download

**user manual electrolux ewf10843 english 100 pages** - Sep 04 2022

web view the manual for the electrolux ewf10843 here for free this manual comes under the category washing machines and has been rated by 4 people with an average of a 7.6 this manual is available in the following languages english do you have a question about the electrolux ewf10843 or do you need help ask your question here

*electrolux ewf 1090 instruction booklet pdf download manualslib* - Aug 03 2022

web view and download electrolux ewf 1090 instruction booklet online ewf 1090 washer pdf manual download also for ewf 1092

[electrolux ewf 127111 w user manual pdf download manualslib](#) - Jul 02 2022

web view and download electrolux ewf 127111 w user manual online electrolux washing machine ewf 127111 w washer pdf manual download

**electrolux washing machines manuals washer manual** - Dec 27 2021

web the machine was appreciated for its durability and good quality attention we are looking for instructions for the following models of electrolux washing machines hydrosonic wash ewt604s ewt805wn cyclonic care ewf7241sxm eifls60lt1 if you have manuals in pdf or any other format please send us them via email

**user manual electrolux ewf10842 english 64 pages** - Mar 30 2022

web view the manual for the electrolux ewf10842 here for free this manual comes under the category washing machines and has been rated by 2 people with an average of a 7 4 this manual is available in the following languages english do you have a question about the electrolux ewf10842 or do you need help ask your question here

*electrolux washing machine service manual pdf* - Jul 14 2023

web view and download electrolux washing machine service manual online diagnostics guide to ewm2000 electronic control washing machines washer dryers washing machine washer pdf manual download also for ewm2000