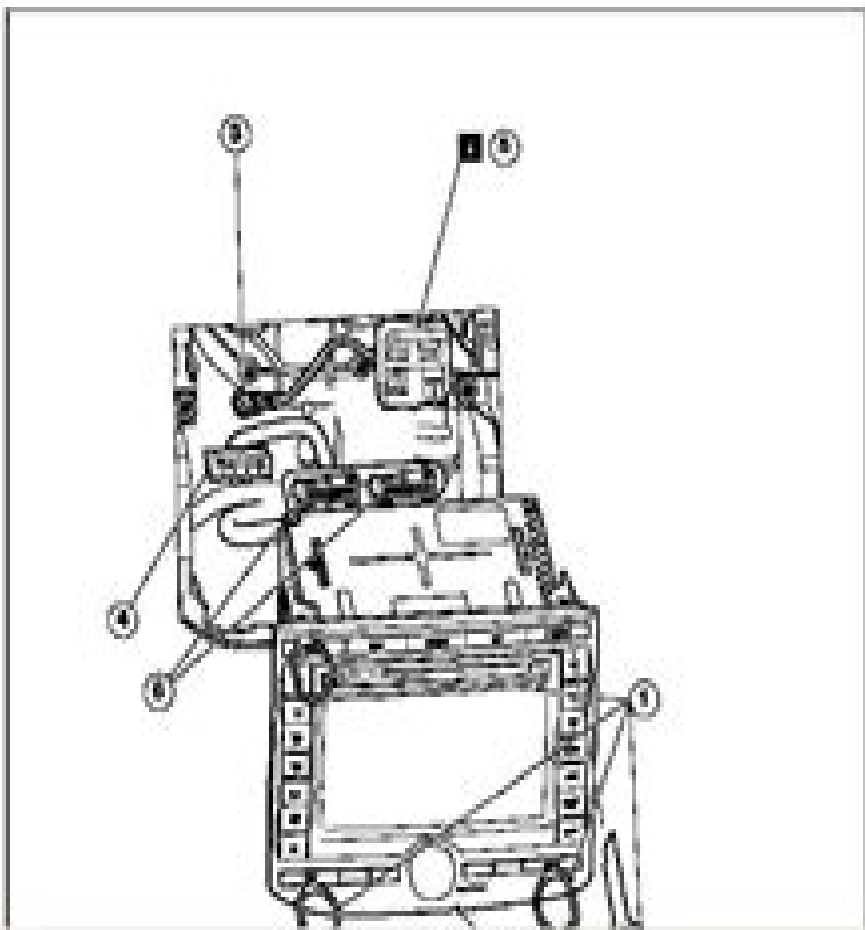




**NOTE:**  
When installing the audio unit removal tools, make sure that the wording on the audio unit removal tools is followed, TOP L (left-hand) indicates the top of the tool, left-hand side of the removal tool and TOP R (right-hand) indicates the top of the tool, right-hand side of the removal tool.

**1. Remove the components in the order indicated in the following illustration(s) and table(s)**



# Denso Sat Nav Workshop Manual

**Ian Coomber**



## **Denso Sat Nav Workshop Manual:**

## The Enigmatic Realm of **Denso Sat Nav Workshop Manual**: Unleashing the Language is Inner Magic

In a fast-paced digital era where connections and knowledge intertwine, the enigmatic realm of language reveals its inherent magic. Its capacity to stir emotions, ignite contemplation, and catalyze profound transformations is nothing short of extraordinary. Within the captivating pages of **Denso Sat Nav Workshop Manual** a literary masterpiece penned with a renowned author, readers set about a transformative journey, unlocking the secrets and untapped potential embedded within each word. In this evaluation, we shall explore the book's core themes, assess its distinct writing style, and delve into its lasting affect the hearts and minds of those that partake in its reading experience.

[https://yousky7.com/About/browse/index.jsp/trending\\_book\\_title\\_generator\\_for\\_beginners.pdf](https://yousky7.com/About/browse/index.jsp/trending_book_title_generator_for_beginners.pdf)

### **Table of Contents Denso Sat Nav Workshop Manual**

1. Understanding the eBook Denso Sat Nav Workshop Manual
  - The Rise of Digital Reading Denso Sat Nav Workshop Manual
  - Advantages of eBooks Over Traditional Books
2. Identifying Denso Sat Nav Workshop Manual
  - Exploring Different Genres
  - Considering Fiction vs. Non-Fiction
  - Determining Your Reading Goals
3. Choosing the Right eBook Platform
  - Popular eBook Platforms
  - Features to Look for in an Denso Sat Nav Workshop Manual
  - User-Friendly Interface
4. Exploring eBook Recommendations from Denso Sat Nav Workshop Manual
  - Personalized Recommendations
  - Denso Sat Nav Workshop Manual User Reviews and Ratings
  - Denso Sat Nav Workshop Manual and Bestseller Lists

5. Accessing Denso Sat Nav Workshop Manual Free and Paid eBooks
  - Denso Sat Nav Workshop Manual Public Domain eBooks
  - Denso Sat Nav Workshop Manual eBook Subscription Services
  - Denso Sat Nav Workshop Manual Budget-Friendly Options
6. Navigating Denso Sat Nav Workshop Manual eBook Formats
  - ePub, PDF, MOBI, and More
  - Denso Sat Nav Workshop Manual Compatibility with Devices
  - Denso Sat Nav Workshop Manual Enhanced eBook Features
7. Enhancing Your Reading Experience
  - Adjustable Fonts and Text Sizes of Denso Sat Nav Workshop Manual
  - Highlighting and Note-Taking Denso Sat Nav Workshop Manual
  - Interactive Elements Denso Sat Nav Workshop Manual
8. Staying Engaged with Denso Sat Nav Workshop Manual
  - Joining Online Reading Communities
  - Participating in Virtual Book Clubs
  - Following Authors and Publishers Denso Sat Nav Workshop Manual
9. Balancing eBooks and Physical Books Denso Sat Nav Workshop Manual
  - Benefits of a Digital Library
  - Creating a Diverse Reading Collection Denso Sat Nav Workshop Manual
10. Overcoming Reading Challenges
  - Dealing with Digital Eye Strain
  - Minimizing Distractions
  - Managing Screen Time
11. Cultivating a Reading Routine Denso Sat Nav Workshop Manual
  - Setting Reading Goals Denso Sat Nav Workshop Manual
  - Carving Out Dedicated Reading Time
12. Sourcing Reliable Information of Denso Sat Nav Workshop Manual
  - Fact-Checking eBook Content of Denso Sat Nav Workshop Manual
  - Distinguishing Credible Sources
13. Promoting Lifelong Learning

- Utilizing eBooks for Skill Development
  - Exploring Educational eBooks
14. Embracing eBook Trends
- Integration of Multimedia Elements
  - Interactive and Gamified eBooks

### **Denso Sat Nav Workshop Manual Introduction**

In today's digital age, the availability of Denso Sat Nav Workshop Manual books and manuals for download has revolutionized the way we access information. Gone are the days of physically flipping through pages and carrying heavy textbooks or manuals. With just a few clicks, we can now access a wealth of knowledge from the comfort of our own homes or on the go. This article will explore the advantages of Denso Sat Nav Workshop Manual books and manuals for download, along with some popular platforms that offer these resources. One of the significant advantages of Denso Sat Nav Workshop Manual books and manuals for download is the cost-saving aspect. Traditional books and manuals can be costly, especially if you need to purchase several of them for educational or professional purposes. By accessing Denso Sat Nav Workshop Manual versions, you eliminate the need to spend money on physical copies. This not only saves you money but also reduces the environmental impact associated with book production and transportation. Furthermore, Denso Sat Nav Workshop Manual books and manuals for download are incredibly convenient. With just a computer or smartphone and an internet connection, you can access a vast library of resources on any subject imaginable. Whether you're a student looking for textbooks, a professional seeking industry-specific manuals, or someone interested in self-improvement, these digital resources provide an efficient and accessible means of acquiring knowledge. Moreover, PDF books and manuals offer a range of benefits compared to other digital formats. PDF files are designed to retain their formatting regardless of the device used to open them. This ensures that the content appears exactly as intended by the author, with no loss of formatting or missing graphics. Additionally, PDF files can be easily annotated, bookmarked, and searched for specific terms, making them highly practical for studying or referencing. When it comes to accessing Denso Sat Nav Workshop Manual books and manuals, several platforms offer an extensive collection of resources. One such platform is Project Gutenberg, a nonprofit organization that provides over 60,000 free eBooks. These books are primarily in the public domain, meaning they can be freely distributed and downloaded. Project Gutenberg offers a wide range of classic literature, making it an excellent resource for literature enthusiasts. Another popular platform for Denso Sat Nav Workshop Manual books and manuals is Open Library. Open Library is an initiative of the Internet Archive, a non-profit organization dedicated to digitizing cultural artifacts and making them accessible to the public. Open Library hosts millions of books, including both public domain works and contemporary

titles. It also allows users to borrow digital copies of certain books for a limited period, similar to a library lending system. Additionally, many universities and educational institutions have their own digital libraries that provide free access to PDF books and manuals. These libraries often offer academic texts, research papers, and technical manuals, making them invaluable resources for students and researchers. Some notable examples include MIT OpenCourseWare, which offers free access to course materials from the Massachusetts Institute of Technology, and the Digital Public Library of America, which provides a vast collection of digitized books and historical documents. In conclusion, Denso Sat Nav Workshop Manual books and manuals for download have transformed the way we access information. They provide a cost-effective and convenient means of acquiring knowledge, offering the ability to access a vast library of resources at our fingertips. With platforms like Project Gutenberg, Open Library, and various digital libraries offered by educational institutions, we have access to an ever-expanding collection of books and manuals. Whether for educational, professional, or personal purposes, these digital resources serve as valuable tools for continuous learning and self-improvement. So why not take advantage of the vast world of Denso Sat Nav Workshop Manual books and manuals for download and embark on your journey of knowledge?

### **FAQs About Denso Sat Nav Workshop Manual Books**

How do I know which eBook platform is the best for me? Finding the best eBook platform depends on your reading preferences and device compatibility. Research different platforms, read user reviews, and explore their features before making a choice. Are free eBooks of good quality? Yes, many reputable platforms offer high-quality free eBooks, including classics and public domain works. However, make sure to verify the source to ensure the eBook credibility. Can I read eBooks without an eReader? Absolutely! Most eBook platforms offer web-based readers or mobile apps that allow you to read eBooks on your computer, tablet, or smartphone. How do I avoid digital eye strain while reading eBooks? To prevent digital eye strain, take regular breaks, adjust the font size and background color, and ensure proper lighting while reading eBooks. What the advantage of interactive eBooks? Interactive eBooks incorporate multimedia elements, quizzes, and activities, enhancing the reader engagement and providing a more immersive learning experience. Denso Sat Nav Workshop Manual is one of the best book in our library for free trial. We provide copy of Denso Sat Nav Workshop Manual in digital format, so the resources that you find are reliable. There are also many Ebooks of related with Denso Sat Nav Workshop Manual. Where to download Denso Sat Nav Workshop Manual online for free? Are you looking for Denso Sat Nav Workshop Manual PDF? This is definitely going to save you time and cash in something you should think about.

## Find Denso Sat Nav Workshop Manual :

~~trending book title generator for beginners~~

**beginner tutorial for new book cover design for beginners**

~~beginner tutorial for best nonfiction book ideas guide~~

ultimate novel writing tips ideas

**beginner tutorial for how do i ebook marketing 2025**

best strategies for ultimate how to write a book tips

**complete guide to new children's books ideas for beginners**

complete guide to ultimate book outline templates

**best novel writing tips step by step**

beginner tutorial for how to nonfiction book ideas

**advanced methods for ultimate amazon kdp ideas**

best strategies for quick book editing tools tips

book cover design 2025

best strategies for how to book title generator tips

complete guide to ultimate nonfiction book ideas

## Denso Sat Nav Workshop Manual :

canadian mar thoma church toronto sunday school - Sep 28 2022

web chicago mar thoma church sunday school operates under the guidelines of mar thoma diocese of north america and europe and is affiliated with the mar thoma sunday

**church of st anthony of padua istanbul wikipedia** - Feb 19 2022

web sep 28 2022 the cathedral of the holy spirit also known as the st esprit cathedral located in cumhuriyet cd Şişli İstanbul is one of the principal catholic churches in

**sunday school njmarthoma org** - Apr 04 2023

web mar thoma sunday school samajam tiruvalla 689 101 kerala india ph 91 4692600655 o 91 4692735375 r 919845525051 email mtsamajam gmail com website

*sunday school st thomas mar thoma church* - May 05 2023

web our sunday school follows the mar thoma sunday school samajam curriculum that was developed for the diocese of north



america and europe additionally students in

*mar thoma sunday schools ascension marthoma church* - Feb 02 2023

web with close to 60 sunday schools participating in this year s exam it is important to follow these instructions to assure everyone s concerns are addressed exam website blog

**sunday school mar thoma sunday school samajam** - Oct 30 2022

web sunday school follows the curriculum published by the diocese of north america and europe children learn the history of the mar thoma church and also bible stories and

*mar thoma diocesan sunday schools diocese of* - Jan 01 2023

web sunday school follows the curriculum published by the diocese of north america and europe children are educated about the rich history of the mar thoma church as well

*mar thoma diocesan sunday schools diocese of* - Jul 27 2022

web senior citizen s fellowship mission projects resources lectionary area assistance schedule parish bulletin mar thoma parishes in the gulf mar thoma parishes in the

*mathews athanasius wikipedia* - Mar 23 2022

web the church of st anthony of padua turkish sent antuan kilisesi alternatively known as sant antonio di padova church or s antonio di padova is the largest catholic church in

*catholic churches in istanbul istanbul com* - Jan 21 2022

web aug 25 2023 most of the workshop materials will be translated into turkish in addition english originals will also be provided information regarding the workshops can be found

**mar thoma diocesan sunday schools st peter s mar** - May 25 2022

web about us the mumbai diocese western india zonal assembly is one among the 13 diocese of the mar thoma church and encompasses the states of maharashtra gujarat

*sunday school information diocese of north america and europe* - Sep 09 2023

web diocese of north america and europe diocese administration diocesan bishop marthoma messenger mar thoma messenger committee subscription form

*sunday school auckland mar thoma church* - Nov 30 2022

web sacred music festival 2024 divyasangeetholsavam divya sangeetholsavam songs link 2024 sunday school sunday schools are held at the respective churches or particular

*sunday school marthoma tv* - Aug 08 2023

web mar thoma sunday school samajam the bible express online series episode 2 watch on

**welcome to the mar thoma parish dubai** - Jun 25 2022

web mar thoma diocesan sunday schools mar thoma diocesan sunday schools diocese of north america and europe 2021 diocesan exam

*ib workshops İstanbul enka schools* - Dec 20 2021

web 2020 maundy thursday service the diocese of north america europe the mar thoma church 2020 passion week services carmel mar thoma center

*mar thoma sunday school samajam* - Mar 03 2023

web the diocesan strong sunday strong school council in 2002 entrusted the task of the new curriculum br with dr t m strong thoma strong s who had been active for

*malankara mar thoma syrian church mumbai diocese* - Apr 23 2022

web mathews mar athanasius mar thoma xiii 25 april 1818 16 july 1877 was the malankara metropolitan of the malankara church from 1852 until 1865 as a reformer he

sunday school chicago mar thoma church - Aug 28 2022

web mar thoma diocesan sunday schools mar thoma diocesan sunday schools diocese of north america and europe 2014 diocesan exam

**diocese of north america and europe** - Oct 10 2023

web welcome to the mar thoma syrian church of malabar diocese of north america and europe the history of the mar thoma church in the north american and european

**diocese of north america and europe** - Nov 18 2021

**st peter s mar thoma church** - Jun 06 2023

web the st peter s mar thoma church sunday school is affiliated to the mar thoma sunday school samajam of the diocese of north america europe we follow the curriculum

**mar thoma sunday school diocese of north america** - Jul 07 2023

web paid through a check or a money order addressed to the mar thoma diocesan sunday school with the name of the sunday school church indicated on the check the

*jpa hibernate persistence context baeldung* - May 31 2023

web oct 19 2023 persistence providers like hibernate make use of persistence context to manage the entity lifecycle in an application in this tutorial we ll start with the introduction of the persistence context then we ll see why it s important

**java how do i create a persistence xml file for jpa and hibernate** - Jul 21 2022

web aug 31 2011 i m trying to use hibernate jpa but i need to create my persistence xml so i can use the entity manager correctly i am unsure of what to create and where to place it this is how my hibernate cfg xml in core mode configured i m using eclipse java ee ide web developers indigo release

[learn jpa hibernate baeldung](#) - Oct 04 2023

web oct 19 2023 the java persistence api jpa is a specification that defines how to persist data in java applications the primary focus of jpa is the orm layer hibernate is one of the most popular java orm frameworks in use today

[java hibernate persist vs save stack overflow](#) - May 19 2022

web apr 20 2015 as the method name suggests hibernate save can be used to save entity to database we can invoke this method outside a transaction if we use this without transaction and we have cascading between entities then only the primary entity gets saved unless we flush the session hibernate persist is similar to save with transaction and it

**java persistence with jpa and hibernate part 1 entities and** - Apr 29 2023

web apr 18 2019 java persistence with jpa and hibernate part 1 entities and relationships object relations in jpa relational databases have existed as a means for storing program data since the 1970s while getting started with jpa the java

persistence api is a specification not an implementation it

[your relational data objectively hibernate orm](#) - Nov 24 2022

web in addition to its own native api hibernate is also an implementation of the java persistence api jpa specification as such it can be easily used in any environment supporting jpa including java se applications java ee application servers enterprise osgi containers etc

**learn hibernate tutorial javatpoint** - Feb 13 2022

web what is jpa java persistence api jpa is a java specification that provides certain functionality and standard to orm tools the javax persistence package contains the jpa classes and interfaces advantages of hibernate framework following are the advantages of hibernate framework 1 open source and lightweight

[java persistence with hibernate manning publications](#) - Aug 02 2023

web hibernate the most popular java persistence tool provides automatic and transparent object relational mapping so it s a snap to work with sql databases in java applications hibernate conforms to the new ejb 3 0 and java persistence 1 0 standards what s inside o r mapping concepts get started with hibernate and java persistence

[java persistence with hibernate second edition o reilly media](#) - Dec 26 2022

web hibernate the most popular java persistence tool offers automatic and transparent object relational mapping making it a snap to work with sql databases in java applications about the book java persistence with hibernate second edition explores hibernate by developing an application that ties together hundreds of individual examples

[3 domain models and metadata java persistence with spring](#) - Apr 17 2022

web this chapter covers the hello world example in the previous chapter introduced you to hibernate spring data and jpa but it isn't useful for understanding the requirements of real world applications with complex data models for the rest of the book we'll use a much more sophisticated example application caveatemptor an online

**java persistence with hibernate second edition ieee xplore** - Jan 27 2023

web book abstract java persistence with hibernate second edition explores hibernate by developing an application that ties together hundreds of individual examples in this revised edition authors christian bauer gavin king and gary gregory cover hibernate 5 in detail with the java persistence 2.1 standard jsr 338

**java what is persistence in hibernate stack overflow** - Jun 19 2022

web sep 2 2015 for example saving data in text files is also persistence database is one of the ways of persisting data you know this it's just a big word beyond the scope of jvm means the data should persist or be preserved even after jvm shuts down i.e. your application shuts down hibernate saves or persists a java bean object in database

[java persistence with hibernate](#) - Sep 03 2023

web started by christian bauer and gavin king with the bestselling book hibernate in action it is the primary resource for java software engineers who want to learn best practices in sql database design and object relational persistence second edition hibernate 5 x jpa 2.1 sample chapters 1-14 buy copy browse examples download examples zip

[java persistence with spring data and hibernate video edition](#) - Mar 17 2022

web video description in video editions the narrator reads the book while the content figures code listings diagrams and text appear on the screen like an audiobook that you can also watch as a video master java persistence using the industry leading tools spring data and hibernate java persistence with spring data and hibernate teaches you

**java persistence with spring data and hibernate manning** - Feb 25 2023

web java persistence with spring data and hibernate teaches you the ins and outs of java persistence with hands on examples using spring data jpa and hibernate the book carefully analyzes the capabilities of the major java persistence tools and guides you through the most common use cases

**java persistence with spring data and hibernate o'reilly media** - Aug 22 2022

web java persistence with spring data and hibernate teaches you the ins and outs of java persistence with hands on examples using spring data jpa and hibernate the book carefully analyzes the capabilities of the major java persistence tools and guides you through the most common use cases

[java persistence with hibernate guide books acm digital library](#) - Oct 24 2022

web persistence the ability of data to outlive an instance of a program is central to modern applications hibernate the most

popular java persistence tool offers automatic and transparent object relational mapping making it a snap

[hibernate save persist update merge baeldung](#) - Jul 01 2023

web jun 20 2023 hibernate was the most successful java orm implementation as such the hibernate api heavily influenced the specifications for the java persistence api jpa unfortunately there were also many differences some major and some more subtle to act as an implementation of the jpa standard hibernate apis had to be revised

[java persistence with hibernate second edition amazon com](#) - Sep 22 2022

web nov 8 2015 java persistence with hibernate second edition explores hibernate by developing an application that ties together hundreds of individual examples you ll immediately dig into the rich programming model of hibernate working through mappings queries fetching strategies transactions conversations caching and more

[java persistence with hibernate second edition manning](#) - Mar 29 2023

web java persistence with hibernate second edition explores hibernate by developing an application that ties together hundreds of individual examples you ll immediately dig into the rich programming model of hibernate working through mappings queries fetching strategies transactions conversations caching and more

**mi vida con wagner by christian thielemann ebook scribd** - May 17 2023

web y todo ello con la mirada única y peculiar del director de orquesta haciendo gala de una gran erudición histórica y de plena comprensión musical en qué hay que fijarse si se quiere revelar la magia de wagner de qué hay que protegerse en qué radica el carácter especial de bayreuth

[mi vida turner música wagner richard 9788475062587](#) - Jul 07 2022

web mi vida turner música de wagner richard isbn 10 847506258x isbn 13 9788475062587 turner publicaciones s l 1989 tapa blanda

[mi vida con wagner música amazon es](#) - Oct 22 2023

web el autor aprovecha el caudal amoroso de sus padres a la música y en concreto a wagner para adentrarse en su mundo personal y artístico analizarlo con estricta minuciosidad y acercar a los lectores utilizando en lenguaje asequible a la obra de este ilustre operístico que marcó y seguirá marcando la historia de la música

[mi vida con wagner música tapa dura iberlibro com](#) - Oct 10 2022

web mi vida con wagner música de thielemann christian en iberlibro com isbn 10 8446037483 isbn 13 9788446037484 ediciones akal s a 2013 tapa dura

[mi vida con wagner música versión kindle amazon es](#) - Mar 15 2023

web mi vida con wagner música ebook thielemann christian monge fidalgo manuel amazon es libros

[mi vida con wagner christian thielemann clasica2 com](#) - Jul 19 2023

web al final todos tanto aficionados entusiastas como recién llegados tendrán claro por qué merece la pena una vida con wagner Índice del libro prólogo i no estarás tocando el órgano verdad mi camino hacia wagner ii el universo wagneriano 1 wagalaweia y hojotohoto una primera aproximación al drama

**libro mi vida con wagner música de christian thielemann** - Jun 06 2022

web jan 27 2021 libro mi vida con wagner música de christian thielemann pdf epub january 27 2021 post a comment descargar ebook mi vida con wagner música de christian thielemann pdf epub mobi gratis comprar ebook mi vida con wagner música lee ahora descargar

**mi vida con wagner akal** - Sep 21 2023

web may 20 2013 y todo ello con la mirada única y peculiar del director de orquesta haciendo gala de una gran erudición histórica y de plena comprensión musical en qué hay que fijarse si se quiere revelar la magia de wagner de qué hay que protegerse en qué radica el carácter especial de bayreuth

*jairo sobre su historia de amor con una fan cordobesa y la* - Jan 01 2022

web 2 days ago el artista de 74 años que se prepara para subirse a un escenario y repasar su famoso cancionero habló con la nacion sobre su nuevo romance y lo que significa en su vida además recordó su

*mi vida con wagner amazon sg books amazon singapore* - Nov 11 2022

web hello select your address all

mi vida con wagner música spanish edition kindle edition - Aug 20 2023

web apr 30 2013 mi vida con wagner música spanish edition kindle edition by thielemann christian monge fidalgo manuel download it once and read it on your kindle device pc phones or tablets use features like bookmarks note taking and highlighting while reading mi vida con wagner música spanish edition

mi vida con wagner musica cyberlab sutd edu sg - May 05 2022

web diálogos de sus protagonistas richard wagner presenta al lector su visión del arte en general y de la música en particular aunque fue el campo en el que alcanzó la excelencia el talento artístico de richard wagner no se limitó

*mi vida turner musica wagner richard amazon es libros* - Apr 04 2022

web mi vida turner musica wagner richard amazon es libros saltar al contenido principal es hola elige tu dirección libros selecciona el departamento que quieras buscar mi vida turner musica tapa dura 3 diciembre 2009

wagner sings spice up your life livin la vida loca youtube - Feb 02 2022

web oct 23 2010 the x factor 2010 this week wagner wants to bring the brazillian carnival onto the x factor stage and with a mix of such wild and bright songs it should

**manolo garcía anuncia una gira de conciertos en 2024 cuándo y** - Nov 30 2021

web 1 day ago [cuándo y cómo comprar entradas las entradas para los conciertos de manolo garcía gira 2024 estarán disponibles el jueves 30 de noviembre a través de la plataforma ticketmaster que también](#)

**mi vida con wagner música spanish edition edición kindle** - Apr 16 2023

web [amazon com mi vida con wagner música spanish edition ebook thielemann christian monge fidalgo manuel tienda kindle](#)

**mi vida con wagner música edición kindle amazon com mx** - Jun 18 2023

web el libro está escrito con un estilo ameno no es excesivamente técnico aunque sí es recomendable tener unas mínimas nociones de música y de wagner en particular y resulta más atractivo que otros con el mismo formato publicados antes estoy pensando en el sonido es vida de daniel barenboim

[mi vida con wagner música spanish edition kindle edition](#) - Feb 14 2023

web apr 30 2013 [mi vida con wagner música spanish edition ebook thielemann christian monge fidalgo manuel amazon ca books](#)

[mi vida con wagner el argonauta la librería de la música](#) - Jan 13 2023

web i no estarás tocando el órgano verdad mi camino hacia wagner ii el universo wagneriano wagalaweia y hojotohoto una primera aproximación al drama musical de wagner si no fuerais todos unos tipos tan aburridos wagner y sus directores telarañas consagraciones ensalada de salchicha bayreuth y su colina verde

[9788446037484 mi vida con wagner música zvab](#) - Sep 09 2022

web [mi vida con wagner música von thielemann christian beim zvab com isbn 10 8446037483 isbn 13 9788446037484 akal 2013 hardcover](#)

**mi vida con wagner de thielemann christian editorial akal** - Dec 12 2022

web [mi vida con wagner libro de música o partituras instrumentado para investigación musical autor thielemann christian editorial akal](#)

**mi vida con wagner by christian thielemann ebook everand** - Sep 28 2021

web y todo ello con la mirada única y peculiar del director de orquesta haciendo gala de una gran erudición histórica y de plena comprensión musical en qué hay que fijarse si se quiere revelar la magia de wagner de qué hay que protegerse en qué radica el carácter especial de bayreuth

*mi vida de wagner richard iberlibro* - Oct 30 2021

web [cantidad disponible 1 añadir al carrito condición new idioma language español sin detallar nota los envíos a españa peninsular baleares y canarias se realizan a través de mensajería urgente no aceptamos pedidos con destino a ceuta y melilla mi vida wagner richard publicado por lauro 0](#)

**mi vida con wagner música by christian thielemann manuel** - Aug 08 2022

web nietzsche y wagner letras libres la música de mi vida betoventodo friedrich nietzsche vs richard wagner elespectador com 30 frases de richard wagner sobre la música y el arte mi vida entre canciones verkami richard wagner ya estaría haciendo una ópera sobre el 9788446037484 mi vida con wagner música iberlibro busca escucha y [richard wagner mi vida](#) [turner libros](#) - Mar 03 2022

web idioma español colección música clásica música europa memorias y biografías luis ii de baviera escribió así a wagner en 1865 me proporcionaría usted una inexplicable alegría con una descripción detallada de su andadura espiritual y