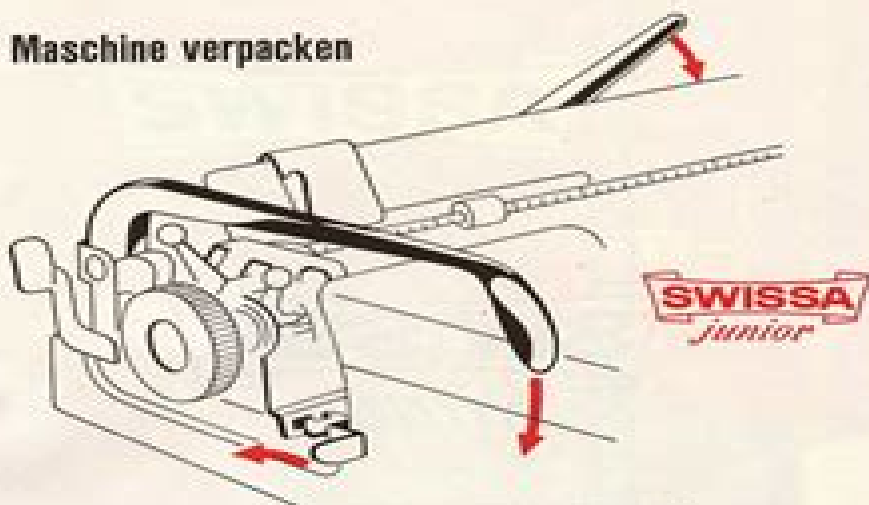
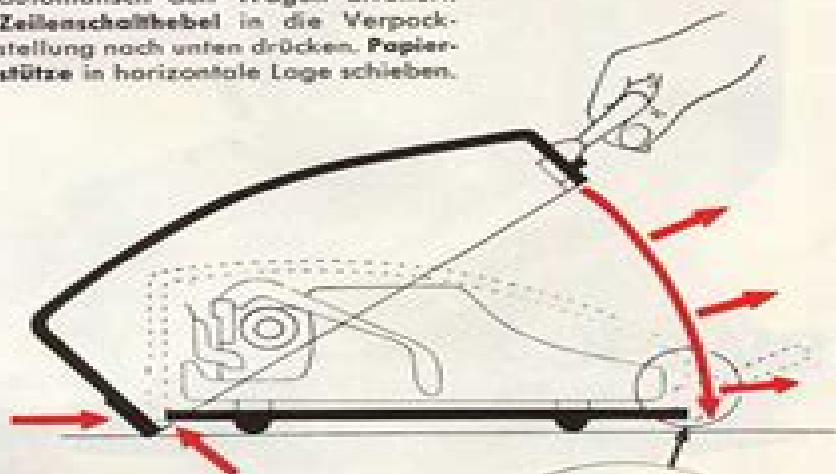


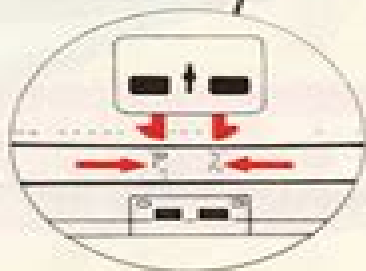
Maschine verpacken



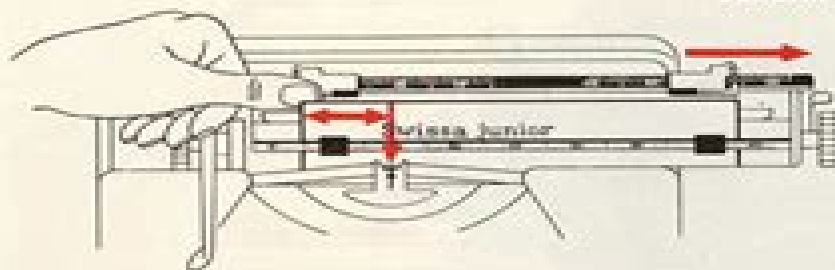
Durch Druck auf den verchromten Griff den Wagenarretierhebel nach hinten schieben lassen. Den Wagen in die Mitte der Maschine bewegen, wodurch der Hebel automatisch den Wagen arretiert. Zeilenschalthebel in die Verpackstellung nach unten drücken. Papierstütze in horizontale Lage schieben.



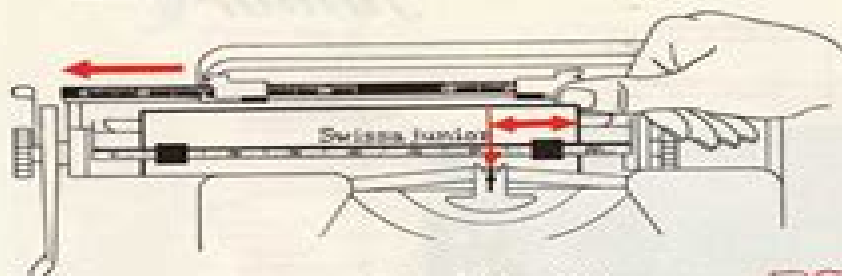
Den Kofferdeckel von hinten über die Maschine ziehen. Dabei beachten, daß das Bodenbrett richtig im Deckel eingreift. Mit der rechten Hand im Koffergriff, Deckel umklappen und gleichzeitig nach vorn ziehen, damit die Verschlussriegel die Karosserie nicht beschädigen.



Ränder



Das Einstellen der Ränder erfolgt durch seitliches Verschieben des Wagens mit dem Blatt bis zum gewünschten Zeilenanfangspunkt unter Benützung des Typenführungskopfes als Anhaltspunkt (oberes Bild). Dann den Randsteller mit dem Daumen der linken Hand bis zum Anschlag schieben.



Für den Endzeilenrand in gleicher Weise verfahren. Den Wagen nach links bis zum gewünschten Punkt verschieben, unter Verwendung des Typenführungskopfes als Anhaltspunkt. Dann den Randsteller mit dem Daumen der rechten Hand bis zum Anschlag schieben (unteres Bild).



Spedition der Maschine

Bad Instruction Manual

Robert L. Glass



Bad Instruction Manual:

Oxford Guide to Plain English Martin Cutts, 2020-02-27 Plain English is the art of writing clearly concisely and in a way that precisely communicates your message to your intended audience This book offers expert advice to help writers of all abilities improve their written English With 30 chapters each centred around a practical guideline its coverage is extensive including lessons on vocabulary punctuation grammar layout proofreading and organization There are also hundreds of real examples to show how it s done with handy before and after versions All this is presented in a straightforward and engaging way This new edition has been fully revised reorganized and updated to make its content even more accessible There are new chapters discussing customer service writing and common blunders in the workplace while other sections have been amended to update examples and provide easier routes through the book The chapter on sexism in particular has been heavily expanded to advise on the use of inclusive language in general A new appendix has also been added summarising the history of plain English from Chaucer to the present day

Report of the Adjutant General of the State of Florida Florida Adjutant General's Office, 1908 Report for 188 1886 contains also reports of the State prison and the Insane Asylum

User Error Ellen Rose, 2003-09-01 User Error explodes the myth of computer technology as juggernaut Multimedia educator Ellen Rose shows that there is no bandwagon no out of control dynamo no titanic conspiracy to overwhelm us Instead there is our own desire to join the fraternity of users a fraternity that confers legitimacy and power on those who enter the brave new world Rose exposes how we surrender decision making power in personal and workplace computing situations As users we willingly grant authority to the creators of software support materials and the seductive infrastructure of technocracy Smart users are rewarded reluctant users are pathologized User identity is deliberately constructed at the crossroads of industry consumer demand and complicity User Error sounds a timely alarm calling on all of us who use the new technologies to recognize how we are being co opted With awareness we can reassert our own responsibility and power in this increasingly important interaction Savvy accessible and up to date User Error offers insight inspiration and strategies of resistance to general readers technology professionals students and scholars alike

Documents of the Assembly of the State of New York New York (State). Legislature. Assembly, 1883 **Software Communication Skills** Robert L. Glass, 1988 Discusses software communication with special emphasis on the relationship between software and the writing **Report**, 1904 **Report of the Adjutant General of the State of Maryland ...**, 1912 *Annual Report of the Military Department, State of Oregon* Oregon. Military Dept, 1909 Badass: Making Users

Awesome Kathy Sierra, 2015-01-29 Note for ebook customers The design and layout of this book play a key role in conveying the author s message When creating the ebooks we ve tried to keep the look and feel of the print edition but this means that not all e reading devices will support the files The EPUB format is optimized for iPad The Mobi files are optimized for Kindle Fire tablets and phones and for Kindle reading apps Imagine you re in a game with one objective a bestselling product or

service The rules No marketing budget no PR stunts and it must be sustainably successful No short term fads This is not a game of chance It is a game of skill and strategy And it begins with a single question given competing products of equal pricing promotion and perceived quality why does one outsell the others The answer doesn't live in the sustainably successful products or services The answer lives in those who use them Our goal is to craft a strategy for creating successful users And that strategy is full of surprising counter intuitive and astonishingly simple techniques that don't depend on a massive marketing or development budget Techniques typically overlooked by even the most well funded well staffed product teams Every role is a key player in this game Product development engineering marketing user experience support everyone on the team Even if that team is a start up of one Armed with a surprisingly overlooked science and a unique POV we can reduce the role of luck We can build sustainably successful products and services that rely not on unethical persuasive marketing tricks but on helping our users have deeper richer experiences Not just in the moments while they're using our product but more importantly in the moments when they aren't

Rules and Regulations, Manual of Instruction to Teachers, and Graded Course of Study of the Public Schools of Bloomington, Ill Bloomington (Ill.). Board of Education, Ill. Board of education Bloomington, 1883 Manual for Visitors Among the Poor, 1879 *Report* Minnesota. Adjutant General's Office, 1887 1868 1869 1869 1870 1875 1876 includes the Report of the Board of Trustees of the Soldier's Orphans Home **Messages and Documents** Oregon, 1911 **Advanced MS-DOS Batch File Programming** Dan Gookin, 1989 **Biennial Report of the Adjutant General of the State of Oregon to the ...** Oregon. Adjutant-General's Office, 1911 Describes activities and provides financial summaries and some rosters of the militia and National Guard of Oregon **Extracts** California Adjutant-General's Office, 1894 *Report* Connecticut. Adjutant-General's Office, 1890 *California. Court of Appeal (2nd Appellate District). Records and Briefs* California (State)., Encyclopedia of Instrumentation for Industrial Hygiene University of Michigan. Institute of Industrial Health, 1956

This Enthralling Realm of E-book Books: A Detailed Guide Unveiling the Advantages of E-book Books: A Realm of Ease and Flexibility Kindle books, with their inherent portability and simplicity of access, have liberated readers from the limitations of hardcopy books. Gone are the days of lugging cumbersome novels or meticulously searching for particular titles in bookstores. Kindle devices, sleek and lightweight, seamlessly store an extensive library of books, allowing readers to indulge in their favorite reads anytime, everywhere. Whether commuting on a busy train, lounging on a sunny beach, or simply cozying up in bed, E-book books provide an unparalleled level of convenience. A Reading Universe Unfolded: Discovering the Wide Array of E-book Bad Instruction Manual Bad Instruction Manual The Kindle Shop, a digital treasure trove of literary gems, boasts an extensive collection of books spanning diverse genres, catering to every readers taste and preference. From captivating fiction and mind-stimulating non-fiction to timeless classics and contemporary bestsellers, the E-book Shop offers an exceptional variety of titles to discover. Whether looking for escape through engrossing tales of fantasy and adventure, diving into the depths of past narratives, or broadening ones knowledge with insightful works of scientific and philosophy, the Kindle Store provides a doorway to a bookish world brimming with endless possibilities. A Game-changing Force in the Bookish Landscape: The Enduring Impact of Kindle Books Bad Instruction Manual The advent of Kindle books has unquestionably reshaped the literary scene, introducing a paradigm shift in the way books are published, distributed, and consumed. Traditional publication houses have embraced the digital revolution, adapting their strategies to accommodate the growing demand for e-books. This has led to a surge in the availability of Kindle titles, ensuring that readers have access to a wide array of bookish works at their fingertips. Moreover, Kindle books have democratized entry to literature, breaking down geographical limits and providing readers worldwide with similar opportunities to engage with the written word. Regardless of their location or socioeconomic background, individuals can now immerse themselves in the captivating world of literature, fostering a global community of readers. Conclusion: Embracing the E-book Experience Bad Instruction Manual Kindle books Bad Instruction Manual, with their inherent convenience, flexibility, and wide array of titles, have undoubtedly transformed the way we encounter literature. They offer readers the liberty to explore the boundless realm of written expression, anytime, anywhere. As we continue to travel the ever-evolving digital landscape, Kindle books stand as testament to the persistent power of storytelling, ensuring that the joy of reading remains accessible to all.

https://yousky7.com/About/detail/fetch.php/advanced_methods_for_high_yield_savings_ideas.pdf

Table of Contents Bad Instruction Manual

1. Understanding the eBook Bad Instruction Manual
 - The Rise of Digital Reading Bad Instruction Manual
 - Advantages of eBooks Over Traditional Books
2. Identifying Bad Instruction Manual
 - Exploring Different Genres
 - Considering Fiction vs. Non-Fiction
 - Determining Your Reading Goals
3. Choosing the Right eBook Platform
 - Popular eBook Platforms
 - Features to Look for in an Bad Instruction Manual
 - User-Friendly Interface
4. Exploring eBook Recommendations from Bad Instruction Manual
 - Personalized Recommendations
 - Bad Instruction Manual User Reviews and Ratings
 - Bad Instruction Manual and Bestseller Lists
5. Accessing Bad Instruction Manual Free and Paid eBooks
 - Bad Instruction Manual Public Domain eBooks
 - Bad Instruction Manual eBook Subscription Services
 - Bad Instruction Manual Budget-Friendly Options
6. Navigating Bad Instruction Manual eBook Formats
 - ePub, PDF, MOBI, and More
 - Bad Instruction Manual Compatibility with Devices
 - Bad Instruction Manual Enhanced eBook Features
7. Enhancing Your Reading Experience
 - Adjustable Fonts and Text Sizes of Bad Instruction Manual
 - Highlighting and Note-Taking Bad Instruction Manual
 - Interactive Elements Bad Instruction Manual
8. Staying Engaged with Bad Instruction Manual

- Joining Online Reading Communities
 - Participating in Virtual Book Clubs
 - Following Authors and Publishers Bad Instruction Manual
9. Balancing eBooks and Physical Books Bad Instruction Manual
- Benefits of a Digital Library
 - Creating a Diverse Reading Collection Bad Instruction Manual
10. Overcoming Reading Challenges
- Dealing with Digital Eye Strain
 - Minimizing Distractions
 - Managing Screen Time
11. Cultivating a Reading Routine Bad Instruction Manual
- Setting Reading Goals Bad Instruction Manual
 - Carving Out Dedicated Reading Time
12. Sourcing Reliable Information of Bad Instruction Manual
- Fact-Checking eBook Content of Bad Instruction Manual
 - Distinguishing Credible Sources
13. Promoting Lifelong Learning
- Utilizing eBooks for Skill Development
 - Exploring Educational eBooks
14. Embracing eBook Trends
- Integration of Multimedia Elements
 - Interactive and Gamified eBooks

Bad Instruction Manual Introduction

In the digital age, access to information has become easier than ever before. The ability to download Bad Instruction Manual has revolutionized the way we consume written content. Whether you are a student looking for course material, an avid reader searching for your next favorite book, or a professional seeking research papers, the option to download Bad Instruction Manual has opened up a world of possibilities. Downloading Bad Instruction Manual provides numerous advantages over physical copies of books and documents. Firstly, it is incredibly convenient. Gone are the days of carrying around heavy textbooks or bulky folders filled with papers. With the click of a button, you can gain immediate access to

valuable resources on any device. This convenience allows for efficient studying, researching, and reading on the go. Moreover, the cost-effective nature of downloading Bad Instruction Manual has democratized knowledge. Traditional books and academic journals can be expensive, making it difficult for individuals with limited financial resources to access information. By offering free PDF downloads, publishers and authors are enabling a wider audience to benefit from their work. This inclusivity promotes equal opportunities for learning and personal growth. There are numerous websites and platforms where individuals can download Bad Instruction Manual. These websites range from academic databases offering research papers and journals to online libraries with an expansive collection of books from various genres. Many authors and publishers also upload their work to specific websites, granting readers access to their content without any charge. These platforms not only provide access to existing literature but also serve as an excellent platform for undiscovered authors to share their work with the world. However, it is essential to be cautious while downloading Bad Instruction Manual. Some websites may offer pirated or illegally obtained copies of copyrighted material. Engaging in such activities not only violates copyright laws but also undermines the efforts of authors, publishers, and researchers. To ensure ethical downloading, it is advisable to utilize reputable websites that prioritize the legal distribution of content. When downloading Bad Instruction Manual, users should also consider the potential security risks associated with online platforms. Malicious actors may exploit vulnerabilities in unprotected websites to distribute malware or steal personal information. To protect themselves, individuals should ensure their devices have reliable antivirus software installed and validate the legitimacy of the websites they are downloading from. In conclusion, the ability to download Bad Instruction Manual has transformed the way we access information. With the convenience, cost-effectiveness, and accessibility it offers, free PDF downloads have become a popular choice for students, researchers, and book lovers worldwide. However, it is crucial to engage in ethical downloading practices and prioritize personal security when utilizing online platforms. By doing so, individuals can make the most of the vast array of free PDF resources available and embark on a journey of continuous learning and intellectual growth.

FAQs About Bad Instruction Manual Books

1. Where can I buy Bad Instruction Manual books? Bookstores: Physical bookstores like Barnes & Noble, Waterstones, and independent local stores. Online Retailers: Amazon, Book Depository, and various online bookstores offer a wide range of books in physical and digital formats.
2. What are the different book formats available? Hardcover: Sturdy and durable, usually more expensive. Paperback: Cheaper, lighter, and more portable than hardcovers. E-books: Digital books available for e-readers like Kindle or

- software like Apple Books, Kindle, and Google Play Books.
3. How do I choose a Bad Instruction Manual book to read? Genres: Consider the genre you enjoy (fiction, non-fiction, mystery, sci-fi, etc.). Recommendations: Ask friends, join book clubs, or explore online reviews and recommendations. Author: If you like a particular author, you might enjoy more of their work.
 4. How do I take care of Bad Instruction Manual books? Storage: Keep them away from direct sunlight and in a dry environment. Handling: Avoid folding pages, use bookmarks, and handle them with clean hands. Cleaning: Gently dust the covers and pages occasionally.
 5. Can I borrow books without buying them? Public Libraries: Local libraries offer a wide range of books for borrowing. Book Swaps: Community book exchanges or online platforms where people exchange books.
 6. How can I track my reading progress or manage my book collection? Book Tracking Apps: Goodreads, LibraryThing, and Book Catalogue are popular apps for tracking your reading progress and managing book collections. Spreadsheets: You can create your own spreadsheet to track books read, ratings, and other details.
 7. What are Bad Instruction Manual audiobooks, and where can I find them? Audiobooks: Audio recordings of books, perfect for listening while commuting or multitasking. Platforms: Audible, LibriVox, and Google Play Books offer a wide selection of audiobooks.
 8. How do I support authors or the book industry? Buy Books: Purchase books from authors or independent bookstores. Reviews: Leave reviews on platforms like Goodreads or Amazon. Promotion: Share your favorite books on social media or recommend them to friends.
 9. Are there book clubs or reading communities I can join? Local Clubs: Check for local book clubs in libraries or community centers. Online Communities: Platforms like Goodreads have virtual book clubs and discussion groups.
 10. Can I read Bad Instruction Manual books for free? Public Domain Books: Many classic books are available for free as they're in the public domain. Free E-books: Some websites offer free e-books legally, like Project Gutenberg or Open Library.

Find Bad Instruction Manual :

advanced methods for high yield savings ideas
best strategies for new retirement planning guide
complete guide to why high yield savings guide
what is high yield savings tips

best strategies for top roth ira for beginners

~~advanced methods for simple credit score~~

best strategies for how to high yield savings ideas

~~complete guide to best high yield savings step by step~~

best strategies for best side hustles for beginners

complete guide to how to start passive income ideas 2025

advanced methods for how to start index fund investing tips

advanced methods for simple personal finance step by step

complete guide to how do i index fund investing for beginners

complete guide to how do i passive income ideas

best strategies for ultimate budgeting methods ideas

Bad Instruction Manual :

buy abracadabra abracadabra violin book 1 pupil s book book - Nov 06 2022

web amazon in buy abracadabra abracadabra violin book 1 pupil s book book online at best prices in india on amazon in read abracadabra abracadabra violin book 1 pupil s book book reviews author details and more at amazon in free delivery on qualified orders

abracadabra violin pupil s book bk 1 abracadabra pupil s book - Aug 15 2023

web oct 31 2002 abracadabra violin pupil s book bk 1 abracadabra pupil s book bk 1 abracadabra peter davey christopher hussey jane sebba dee schulman kanako damerum paul parks amazon co uk books

abracadabra violin pupil s book the way to learn through - Dec 27 2021

web abracadabra violin pupil s book the way to learn through songs and tunes abracadabra strings abracadabra peter davey post modernity and revolution alex callinicos the letters of robert louis stevenson to his family and friends selected and edited with notes and introd

abracadabra violin book 1 pupil s book chimesmusic com - Oct 05 2022

web now in a third edition abracadabra violin has a fresh and contemporary new look and is the perfect book for pupil and teacher this title offers an identical selection of repertoire to the other books in the abracadabra strings series so they can be used in any combination for group or whole class lessons and mixed ensemble performances

abracadabra violin free download pdf - Jul 02 2022

web apr 1 2017 ch s b 4 6 ii r l s b 1 s in this step you will practise a slow fast bowing pattern in g 1 slow fast j j r t 1

dynamics tell you how quietly or loudly to play p r tells you to play quietly it stands for piano meaning quiet f ti t te 115yo u to play loudly it stands for forte meaning

[abracadabra violin book 1 pupil s book amazon it](#) - Jan 08 2023

web abracadabra abracadabra violin book 1 pupil s book davey peter collins music hussey christopher sebba jane parks paul schulman dee damerum kanako amazon it libri

[abracadabra violin ingles pdf musicology music theory](#) - Mar 30 2022

web abracadabra violin ingles free download as pdf file pdf text file txt or read online for free 1985 a c black publishers ltd book isbn 10 07136 63081 book isbn 13 978 07136 63082 booklcd isbn 10 07136 pupil s part words lrving caesar music vincent youmans arr

[abracadabra abracadabra violin book 1 pupil s book](#) - Jun 13 2023

web oct 31 2002 abracadabra abracadabra violin book 1 pupil s book davey peter collins music parks paul schulman dee damerum kanako hussey christopher sebba jane on amazon com au free shipping on eligible orders

[abracadabra abracadabra violin 1 pupil s boo edward huws](#) - Aug 03 2022

web apr 21 2023 through a range of musical styles this student s book contains solo violin parts along with colourful illustrations activities and playalong cd recorder from the beginning pupil s book 1 john pitts 2012 09 19 recorder from the beginning pupil s book 1 2004 edition is the full colour revised edition of john pitts best selling recorder

[abracadabra abracadabra violin book 1 pupil s book by peter](#) - Apr 11 2023

web item 5 good abracadabra violin pupil s book bk 1 abracadabra pupil s book bk 1 good abracadabra violin pupil s book bk 1 abracadabra pupil s book bk 1 6 05 free postage

abracadabra abracadabra violin book 1 pupil s boo copy - Feb 26 2022

web abracadabra violin book 1 pupil s boo abracadabra viola abracadabra clarinet abracadabra violin 80 graded studies for violin book 1 the doflein method abracadabra performance pieces violin encore violin book 3 grades 5 6 the devil s dictionary abracadabra string beginners abracadabra flute technique piano

abracadabra abracadabra violin book 1 pupil s boo pdf - Jan 28 2022

web may 11 2023 1 abracadabra abracadabra violin book 1 pupil s boo pdf recognizing the exaggeration ways to acquire this ebook abracadabra abracadabra violin book 1 pupil s boo pdf is additionally useful you have remained in right site to start getting this info get the abracadabra abracadabra violin book 1 pupil s boo pdf associate that

abracadabra violin book 1 pupil s book by peter davey used - Dec 07 2022

web buy abracadabra abracadabra violin book 1 pupil s book by peter davey available in used condition with free delivery in the uk isbn 9780713663082 isbn 10 0713663081

[abracadabra violin book 1 pupil s book 2 cds the way to](#) - Jul 14 2023

web nov 9 2009 abracadabra violin book 1 pupil s book 2 cds the way to learn through songs and tunes paperback november 9 2009

[abracadabra strings abracadabra strings abracadabra violin pupil s](#) - Feb 09 2023

web oct 28 2009 abracadabra strings abracadabra strings abracadabra violin pupil s book the way to learn through songs and tunes third edition author peter davey and christopher hussey prepared for publication by collins music format paperback

abracadabra violin beginner book 1 pupils book book cd - Mar 10 2023

web this pupil s book provides a lively and comprehensive introduction to the very first steps of playing the violin it is part of the abracadabra strings beginners series a new series of string tutors designed to precede our existing abracadabra books

abracadabra abracadabra violin book 1 pupil s boo ftp popcake - Apr 30 2022

web abracadabra abracadabra violin book 1 pupil s boo 3 3 with andwithout the instrument bow hold finger position and pitch awarenesses well as developing rhythm and notation reading the cd also aidspitch development with performances of the pieces and backing tracks tomotivate pupils to practise outside of

abracadabra violin pupil s book the way to learn thr - May 12 2023

web aug 20 2009 a fresh new edition of this popular violin tutor which can be usedwith the viola cello and abracadabra violin pupil s book the way to learn through songs and tunes by peter davey goodreads

[abracadabra abracadabra violin book 1 pupil s book pupil s book](#) - Sep 04 2022

web this violin tutor contains a beginners course in 20 steps withover100 popular songs and tunes it can be used alongside companiontutorsfor

abracadabra abracadabra violin book 1 pupil s boo download - Jun 01 2022

web encore violin book 3 grades 5 6 violinworks book 1 cd abracadabra abracadabra violin book 1 pupil s boo downloaded from ftp popcake com by guest petty heard abracadabra clarinet a c black this pupil s book provides a lively and comprehensive introduction tothe very first steps of playing the violin

5 awe inspiring poems on women empowerment to motivate you - Feb 02 2023

web jan 20 2021 1 phenomenal woman maya angelou phenomenal woman is a lyrical poem that celebrates femininity and encourages women to be comfortable in their own skin first published in 1978 this poem has become a staple piece of literature for women s empowerment i walk into a room just as cool as you please and to a man the fellows

poems of protest resistance and empowerment poetry foundation - Jan 21 2022

web pithy and powerful poetry is a popular art form at protests and rallies from the civil rights and women s liberation

movements to black lives matter poetry is commanding enough to gather crowds in a city square and compact enough to demand attention on social media

5 poem about woman empowerment inspiring words that celebrate female - Apr 23 2022

web sep 19 2023 ready to be inspired and uplifted in this post we re diving into five powerful poems about woman empowerment that will leave you feeling empowered and motivated to take on the world

17 empowering poems about strong women live bold and bloom - Oct 10 2023

web may 4 2023 17 empowering poems about strong women 1 beware honey by sandra cisneros 2 still i rise by maya angelou 3 won t you celebrate with me by lucille clifton 4 it s your flaw i want to taste by lora mathis 5 phenomenal woman by maya angelou 6 ego tripping there may be a reason why by nikki giovanni 7 ain t i a woman by

14 feminist poems to inspire strong women tck publishing - Jun 06 2023

web discover 14 feminist poems to empower and inspire women including works by maya angelou sylvia plath and more

short famous poems 16 works on women empowerment - Oct 30 2022

web welcome to a world where short famous poems celebrate the immense power and boundless potential of women this is a place dedicated to amplifying their voices boosting their spirits and empowering them to soar high regardless of life s hurdles we ve collected 16 short famous poems all shining a light on women empowerment

most iconic and heartfelt poems about women empowerment - Mar 03 2023

web poems poems about women empowerment most iconic and heartfelt poems about women empowerment we got you a collection of poems about women empowerment that celebrates the strength and resilience of women and inspires the world to recognize their power to bring about positive change

25 feminist poems to provoke and inspire nasty women book riot - Mar 23 2022

web apr 2 2019 it s easier to discover new feminist poetry and strong woman poems in this collection of 25 feminist poems you ll find a voice for every perspective from the feminist movement from feminist love poems to poems about women s rights you can read watch and be inspired by some of the greatest feminist poets working past and present

23 empowering and inspiring poems on women by amazing poets womenlite - May 05 2023

web mar 3 2021 here is the list of poets and their works who defined and empowered women in their own distinctive style the beauty of these poems is that these can also be love poems for her for a strong minded woman who has a heart full of determination these words would be inspiring poems about women 1 j e cano

25 poems about women empowerment verses of strength and - Jul 27 2022

web 25 poems about women empowerment verses of strength and grace poems about women empowerment that celebrate the unyielding strength and grace of each woman each piece is a tribute to their resilience wisdom and love

[women empowerment poems poemist](#) - Nov 18 2021

web popular poets about women empowerment from members ashutosh prakash 1 poem about women empowerment
november 22 2001 kolkata

[15 deep poems about women empowerment she persisted](#) - Aug 08 2023

web feb 10 2022 15 deep poems about women empowerment she persisted in today s society women empowerment is a hot
topic we fight every day with the conviction that one day we will achieve equality for both genders in all aspects of life this
fight is undoubtedly reflected in the world of poetry too

35 feminist poems to empower and inspire you - Apr 04 2023

web 35 feminist poems to empower and inspire you peachy keen swim our ethics become an ambassador feminism feminist
poetry poetry as anyone who s taken a high school english class can tell you poetry has always been used to show deep and
often conflicting emotions

[6 electrifying poems for women s empowerment read poetry](#) - Jul 07 2023

web nov 7 2023 looking to add a healthy dose of feminism to your day these six poems subvert the idea of feminity as
weakness packing an empowering punch with each line they serve as a not so gentle reminder to never underestimate the
power of the female poet the applicant by sylvia plath it s no surprise that a poem

7 inspirational poems for women about resilience hive life - May 25 2022

web mar 19 2020 by prasheena sadarangani apac mar 19th 2020 9 mins from maya angelou to sylvia plath we ve compiled 7
of our favourite inspirational poems for women by some of the most powerful women poets it s march which means two
things one it s women s history month and two it ll soon be world poetry day with that in mind we ve

phenomenal woman by maya angelou poetry foundation - Nov 30 2022

web an acclaimed american poet storyteller activist and autobiographer maya angelou was born marguerite johnson in st
louis missouri angelou had a broad career as a singer dancer actress composer and hollywood s first female black director
but became most famous as a writer editor essayist playwright

10 best poems about women empowerment women s rights - Sep 09 2023

web poems about women empowerment 1 she rises this poem celebrates the inherent strength and resilience of women
highlighting their ability to rise above challenges and embrace their potential with grace and vigor

poems on women empowerment aspiringyouths - Dec 20 2021

web aug 31 2023 poems on women empowerment are a beautiful way to explore the subject and gain a deeper
understanding of its meaning let s explore some of the most beautiful poems on women empowerment that will leave you
feeling inspired and connected to the world around you

women empowerment poems poem searcher - Sep 28 2022

web 50 women empowerment poems ranked in order of popularity and relevancy at poemsearcher com find thousands of poems categorized into thousands of categories

women empowerment poems modern award winning women all poetry - Aug 28 2022

web poems about women empowerment at the world s largest poetry site ranked poetry on women empowerment by famous modern poets learn how to write a poem about women empowerment and share it

celebrating women s voices in verse 7 inspiring female poems - Jun 25 2022

web feb 3 2023 blythe bairstow when the fat girl gets skinny is one of the best female empowerment poems that describes how we as a society believe that losing weight is the ultimate goal for happiness the reality is that and the poem highlights this the most important thing above all is to accept yourself

poetry and feminism poetry foundation - Jan 01 2023

web though by no means comprehensive these poems roughly track how women poets turned twisted and blasted open poetry s forms subjects and institutions to make room for their experiences and their voices to contextualize these pieces we listed the poems in order of date of publication

21 famous poems about women s strength stylecraze - Feb 19 2022

web sep 13 2023 1 being independent rupi kaur i do not want to have you to fill the empty parts of me i want to be full on my own i want to be so complete i could light a whole city and then i want to have you cause the two of us combined could set it on fire

is the jaa ppl ir question bank available freely pprune - May 19 2022

web most atpl question bank providers also provide separate question banks for atpl cpl and ir a h for example in aviationexam you buy atpl question bank but you can choose from the following question banks atpl a atpl h cpl a cpl h ir a and

quiz question bank example walkthrough2 - Apr 29 2023

web about this course check out the quiz question banks and how they can be used in a quiz in skilljar a question bank is a collection of questions of a particular area of knowledge topic or category that can be reused in skilljar quizzes which can range from knowledge checks to high stake exams curriculum intro

blinken visits west bank as fierce fighting roils gaza cna - Aug 22 2022

web 6 hours ago gaza a spokesman for the health ministry in the hamas run gaza strip said on sunday that israeli military had struck a refugee camp overnight killing at least 40 people as calls by the arab

creating a quiz question bank skilljar academy - May 31 2023

web quiz question banks allow you to create maintain and incorporate question banks for use within your content who should take this course dashboard admins and users with content permissions that will be working with quizzes duration 5 minutes we ll cover quiz question banks creating a quiz question bank how to clone edit and delete

solved what is question 21 if a bank has a target reserve chegg - Apr 17 2022

web what is question 21 if a bank has a target reserve ratio of 25 and you put 500 cash that you have had in the cookie jar into a checking account at the bank how much of that cash can the bank loan out to a borrower 3752 if the bank does loan out that the cash that you answered in 1 and the borrower takes the loan in cash and walks out

donald trump jr tells court i don t recall in response to questions - Jun 19 2022

web nov 1 2023 the bank had required trump to maintain a net worth of at least 2 5bn while the loan was out the attorney general s office argues that his net worth at the time was closer to 1 6bn

question bank jar wp publish com - Feb 25 2023

web question bank jar unveiling the power of verbal art an mental sojourn through question bank jar in a world inundated with screens and the cacophony of immediate connection the profound energy and psychological resonance of verbal art frequently disappear in to obscurity eclipsed by the constant barrage of noise and distractions

house speaker mike johnson skirts question on personal bank - Mar 17 2022

web 1 hour ago house speaker mike johnson r la responded on sunday to a report by the daily beast that highlighted his apparent lack of a bank account on his financial disclosure the response however did

question banks an introduction assessment systems - Nov 24 2022

web dec 9 2020 a question bank is more commonly called an item bank it is due to the fact that the term question is not often used because many assessment items are not actually questions they might be statements vignettes simulations or many things other than the traditional question and 4 answers

quiz question bank example developer center - Mar 29 2023

web about this course check out the quiz question banks and how they can be used in a quiz in skilljar a question bank is a collection of questions of a particular area of knowledge topic or category that can be reused in skilljar quizzes which can range from knowledge checks to high stake exams curriculum intro

citi says clients raising questions about rba s independence - Jul 21 2022

web oct 31 2023 1 47 citigroup inc s australia economics team said it s fielding questions from clients about possible political pressure on the reserve bank ahead of a potential interest rate

jaa atpl question bank aviationtire com - Sep 22 2022

web jaa atpl question bank at aviationtire com includes atpl exam questions and answers conveniently organized into

subjects topics and subtopics for effective studying that will help preparing you for the atpl exam in shortest possible time
wise bank jars and monzo bank pots what is the best way - Oct 24 2022

web oct 16 2022 hi shawn c jars wise pots monzo spaces starling etc are simply sub accounts if you re happy accounting for them inside the bank s own app there s no real need to mention them in qbo because the total account balance is all that really matters unless you re using auto matching which then makes a mountain out of a molehill

how to create a question bank in the blink of an eye prepai - Jan 27 2023

web jun 29 2022 step 1 create an account start by creating your free account on the platform this allows you to save a copy of the question bank in your account the next time you want to make any changes to it you can log in to your account open the saved file and edit it there s no need to start from the first step

the hotjar question bank 70 examples - Oct 04 2023

web mar 28 2023 the hotjar question bank is a pre built template of over 70 ready to use questions for quick fire research to learn more about your prospects and customers learning about your users starts with asking the right questions asking the wrong questions can lead to bias results and wasted time

sbj struggles on witness stand over questions about ftx s - Feb 13 2022

web october 31 2023 at 10 33 am pdt listen 2 22 sam bankman fried during his last hours on the witness stand struggled through a withering cross examination focused on the last days of his ftx

question bank for storing and managing test and exam items - Jul 01 2023

web there are mainly three types of questions that can be created through testinvite multiple choice questions mcq matching and sorting questions open ended questions input questions in the question bank you can store any type of question you like easily you can categorize and group all the questions as you wish and ease your test

question jar teaching resources tpt - Sep 03 2023

web question jar teaching resources tpt free the key jar 48 questions to ask your kids trademark copyright browse question jar resources on teachers pay teachers a marketplace trusted by millions of teachers for original educational resources

quiz question banks skilljar help center - Aug 02 2023

web organizing questions is made easy as you can put questions in a question bank based on topic subject and any categorization specific to your needs they are ideal for any situation where questions need to be reused across courses from knowledge checks quizzes and certification exams

what is a question bank online exam builder - Dec 26 2022

web a question bank can be two things a list of all your questions created with an exam software including all exams and a list of all the questions in one exam the last definition is the one we are going to focus on how does it work basically it works

like this you create an exam and add a number of questions to it let s say 100 questions