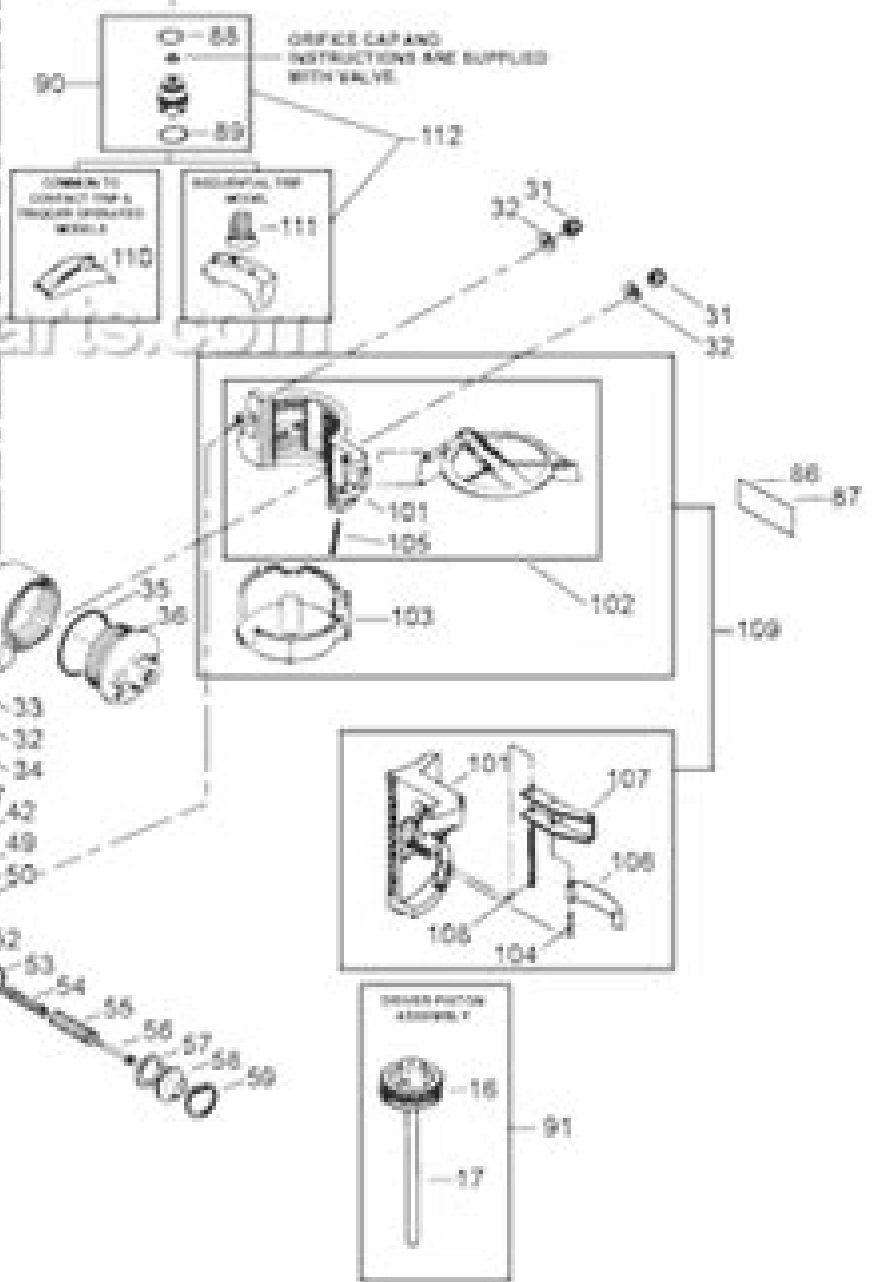
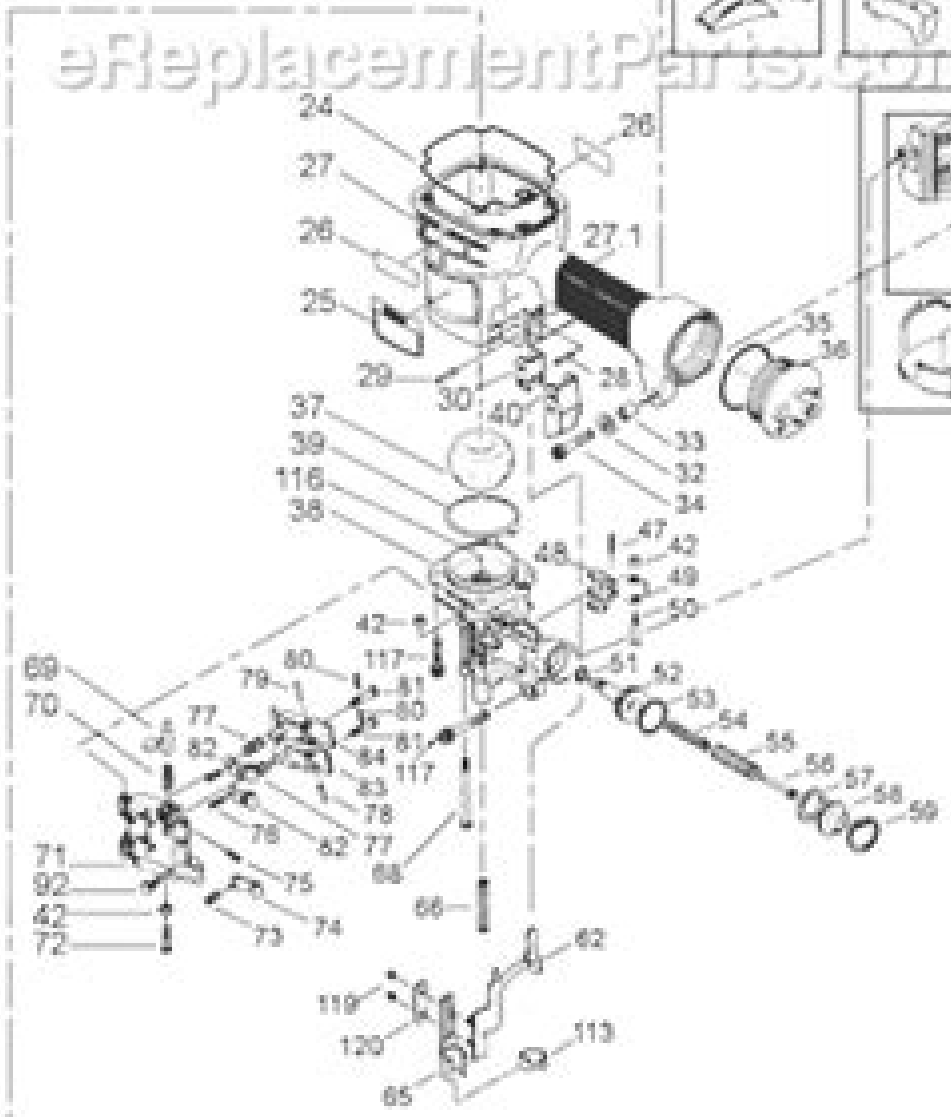


N63CP

COIL-FED PNEUMATIC NAILERS
CLAVADORAS NEUMÁTICAS ALIMENTADAS POR ROLLO
CLOUSEURS PNEUMATIQUES À ENROULEMENT



eReplacementParts.com

Bostitch N63cp User Guide

David Kirk



Bostitch N63cp User Guide:

Rural Builder ,1996

If you ally dependence such a referred **Bostitch N63cp User Guide** ebook that will manage to pay for you worth, acquire the very best seller from us currently from several preferred authors. If you desire to humorous books, lots of novels, tale, jokes, and more fictions collections are furthermore launched, from best seller to one of the most current released.

You may not be perplexed to enjoy all books collections Bostitch N63cp User Guide that we will totally offer. It is not vis--vis the costs. Its not quite what you infatuation currently. This Bostitch N63cp User Guide, as one of the most operating sellers here will very be along with the best options to review.

https://yousky7.com/About/book-search/default.aspx/Chemistry_Central_Science_11th_Edition_Solutions_Manual.pdf

Table of Contents Bostitch N63cp User Guide

1. Understanding the eBook Bostitch N63cp User Guide
 - The Rise of Digital Reading Bostitch N63cp User Guide
 - Advantages of eBooks Over Traditional Books
2. Identifying Bostitch N63cp User Guide
 - Exploring Different Genres
 - Considering Fiction vs. Non-Fiction
 - Determining Your Reading Goals
3. Choosing the Right eBook Platform
 - Popular eBook Platforms
 - Features to Look for in an Bostitch N63cp User Guide
 - User-Friendly Interface
4. Exploring eBook Recommendations from Bostitch N63cp User Guide
 - Personalized Recommendations
 - Bostitch N63cp User Guide User Reviews and Ratings
 - Bostitch N63cp User Guide and Bestseller Lists
5. Accessing Bostitch N63cp User Guide Free and Paid eBooks

- Bostitch N63cp User Guide Public Domain eBooks
- Bostitch N63cp User Guide eBook Subscription Services
- Bostitch N63cp User Guide Budget-Friendly Options
- 6. Navigating Bostitch N63cp User Guide eBook Formats
 - ePub, PDF, MOBI, and More
 - Bostitch N63cp User Guide Compatibility with Devices
 - Bostitch N63cp User Guide Enhanced eBook Features
- 7. Enhancing Your Reading Experience
 - Adjustable Fonts and Text Sizes of Bostitch N63cp User Guide
 - Highlighting and Note-Taking Bostitch N63cp User Guide
 - Interactive Elements Bostitch N63cp User Guide
- 8. Staying Engaged with Bostitch N63cp User Guide
 - Joining Online Reading Communities
 - Participating in Virtual Book Clubs
 - Following Authors and Publishers Bostitch N63cp User Guide
- 9. Balancing eBooks and Physical Books Bostitch N63cp User Guide
 - Benefits of a Digital Library
 - Creating a Diverse Reading Collection Bostitch N63cp User Guide
- 10. Overcoming Reading Challenges
 - Dealing with Digital Eye Strain
 - Minimizing Distractions
 - Managing Screen Time
- 11. Cultivating a Reading Routine Bostitch N63cp User Guide
 - Setting Reading Goals Bostitch N63cp User Guide
 - Carving Out Dedicated Reading Time
- 12. Sourcing Reliable Information of Bostitch N63cp User Guide
 - Fact-Checking eBook Content of Bostitch N63cp User Guide
 - Distinguishing Credible Sources
- 13. Promoting Lifelong Learning
 - Utilizing eBooks for Skill Development

- Exploring Educational eBooks
14. Embracing eBook Trends
- Integration of Multimedia Elements
 - Interactive and Gamified eBooks

Bostitch N63cp User Guide Introduction

Free PDF Books and Manuals for Download: Unlocking Knowledge at Your Fingertips In today's fast-paced digital age, obtaining valuable knowledge has become easier than ever. Thanks to the internet, a vast array of books and manuals are now available for free download in PDF format. Whether you are a student, professional, or simply an avid reader, this treasure trove of downloadable resources offers a wealth of information, conveniently accessible anytime, anywhere. The advent of online libraries and platforms dedicated to sharing knowledge has revolutionized the way we consume information. No longer confined to physical libraries or bookstores, readers can now access an extensive collection of digital books and manuals with just a few clicks. These resources, available in PDF, Microsoft Word, and PowerPoint formats, cater to a wide range of interests, including literature, technology, science, history, and much more. One notable platform where you can explore and download free Bostitch N63cp User Guide PDF books and manuals is the internet's largest free library. Hosted online, this catalog compiles a vast assortment of documents, making it a veritable goldmine of knowledge. With its easy-to-use website interface and customizable PDF generator, this platform offers a user-friendly experience, allowing individuals to effortlessly navigate and access the information they seek. The availability of free PDF books and manuals on this platform demonstrates its commitment to democratizing education and empowering individuals with the tools needed to succeed in their chosen fields. It allows anyone, regardless of their background or financial limitations, to expand their horizons and gain insights from experts in various disciplines. One of the most significant advantages of downloading PDF books and manuals lies in their portability. Unlike physical copies, digital books can be stored and carried on a single device, such as a tablet or smartphone, saving valuable space and weight. This convenience makes it possible for readers to have their entire library at their fingertips, whether they are commuting, traveling, or simply enjoying a lazy afternoon at home. Additionally, digital files are easily searchable, enabling readers to locate specific information within seconds. With a few keystrokes, users can search for keywords, topics, or phrases, making research and finding relevant information a breeze. This efficiency saves time and effort, streamlining the learning process and allowing individuals to focus on extracting the information they need. Furthermore, the availability of free PDF books and manuals fosters a culture of continuous learning. By removing financial barriers, more people can access educational resources and pursue lifelong learning, contributing to personal growth and professional development. This democratization of knowledge promotes intellectual curiosity and empowers

individuals to become lifelong learners, promoting progress and innovation in various fields. It is worth noting that while accessing free Bostitch N63cp User Guide PDF books and manuals is convenient and cost-effective, it is vital to respect copyright laws and intellectual property rights. Platforms offering free downloads often operate within legal boundaries, ensuring that the materials they provide are either in the public domain or authorized for distribution. By adhering to copyright laws, users can enjoy the benefits of free access to knowledge while supporting the authors and publishers who make these resources available. In conclusion, the availability of Bostitch N63cp User Guide free PDF books and manuals for download has revolutionized the way we access and consume knowledge. With just a few clicks, individuals can explore a vast collection of resources across different disciplines, all free of charge. This accessibility empowers individuals to become lifelong learners, contributing to personal growth, professional development, and the advancement of society as a whole. So why not unlock a world of knowledge today? Start exploring the vast sea of free PDF books and manuals waiting to be discovered right at your fingertips.

FAQs About Bostitch N63cp User Guide Books

How do I know which eBook platform is the best for me? Finding the best eBook platform depends on your reading preferences and device compatibility. Research different platforms, read user reviews, and explore their features before making a choice. Are free eBooks of good quality? Yes, many reputable platforms offer high-quality free eBooks, including classics and public domain works. However, make sure to verify the source to ensure the eBook credibility. Can I read eBooks without an eReader? Absolutely! Most eBook platforms offer web-based readers or mobile apps that allow you to read eBooks on your computer, tablet, or smartphone. How do I avoid digital eye strain while reading eBooks? To prevent digital eye strain, take regular breaks, adjust the font size and background color, and ensure proper lighting while reading eBooks. What the advantage of interactive eBooks? Interactive eBooks incorporate multimedia elements, quizzes, and activities, enhancing the reader engagement and providing a more immersive learning experience. Bostitch N63cp User Guide is one of the best book in our library for free trial. We provide copy of Bostitch N63cp User Guide in digital format, so the resources that you find are reliable. There are also many Ebooks of related with Bostitch N63cp User Guide. Where to download Bostitch N63cp User Guide online for free? Are you looking for Bostitch N63cp User Guide PDF? This is definitely going to save you time and cash in something you should think about.

Find Bostitch N63cp User Guide :

chemistry central science 11th edition solutions manual

chemistry stage 2 standard guide

chemistry paper may june 23

chemistry mcmurry 6th edition solution manual

chemistry speedy study guides speedy publishing

chemistry brown lemay solution manual 11th edition

chemistry module 12 answer to question 9

chemistry laboratory manual hayden mcnail answer

chemistry for cambridge igcse

chemistry science kits for teens

chemistry of life review worksheet part 1

chemistry silberberg 6e solutions

chemistry lab manual beran experiment 27 answers

chemistry prentice hall 15 study guide answers

chemistry ch enthalpy test

Bostitch N63cp User Guide :

spelling bee sponsor form pdf scribd - Jun 12 2023

web download proposal paper for spelling bee competition type pdf date november 2021 size 315 3kb author jiannifen luwee
this document was uploaded by user and

download proposal paper for spelling bee competition - May 11 2023

web tips to become a successful entrepreneur planning for a spelling bee the planning for a spelling bee should be thorough
it should include the pre event and post event

prepared by globalgiving - Oct 04 2022

web 2 sample spelling bee sponsorship proposal 2022 07 10 and data licensing platform billboard publishes the most trusted
charts and offers unrivaled reporting about the

spelling bee proposal fill online printable fillable - Apr 10 2023

web 8 sample spelling bee sponsorship proposal 2019 11 01 section 0 a brief introduction and general information about the

book section 1 an overview of spelling bee

proposal paper for spelling bee competition - Jul 13 2023

web queen bee named sponsor 5 000 honey bee major sponsor at 2 500 nectar bee major sponsor at 1 000 bumble bee sponsor at 500 worker bee sponsor at

sample spelling bee sponsorship proposal design bluesquare - Apr 29 2022

web samplespellingbeesponsorshipproposal 1 3 downloaded from academy robotistan com on by guest

samplespellingbeesponsorshipproposal eventually you will utterly

sample spelling bee sponsorship proposal pdf copy dsm - May 31 2022

web sample proposal for spelling bee sponsorship pdf congressional record united states congress 1967 mastering spelling bee the globalization paradox dani rodrik

sample spelling bee sponsorship proposal 2022 - Jul 01 2022

web sample spelling bee sponsorship proposal 3 3 research annotation copyright book news inc portland or the spelling bee manual for competitors web mcgraw hill

samplespellingbeesponsorshipproposal pdf - Nov 24 2021

sample spelling bee sponsorship proposal copy verify meetcircle - Jan 27 2022

sample proposal for spelling bee sponsorship 2022 - Feb 25 2022

web nov 7 2014 as opposed to the proposal paper drafted earlier this report was made based on two activities which are the spelling competition for level 1 pupils and

sample spelling bee sponsorship proposal pdf 2023 - Mar 29 2022

web jun 21 2023 the notice as with ease as sharpness of this sample spelling bee sponsorship proposal pdf can be taken as without difficulty as picked to act profiles in

spelling bee proposal fill and sign printable template - Feb 08 2023

web sample spelling bee sponsorship proposal downloaded from ftp playfairqatar org uk by guest torres sara out of the house of darkness

spelling bee proposal form signnow - Mar 09 2023

web spelling bee competitions my local language spelling bee for primary three and the english spelling bee for primary four to primary seven pupils we plantoinclude

sample spelling bee sponsorship proposal - Aug 02 2022

web spelling bee sponsorship most likely you have knowledge that people have look numerous period for their favorite books gone this sample proposal for spelling bee

tips to sponsor a spelling bee startupbizhub com - Jan 07 2023

web sample spelling bee sponsorship proposal 1 sample spelling bee sponsorship proposal a century of innovation school family and community partnerships

proposal paper for spelling bee competition pdf - Aug 14 2023

web proposal paper for spelling bee competition original title proposal paper for spelling bee competition uploaded by jiannifen luwee copyright attribution non commercial

proposal paper for spelling bee competition vdocuments net - Sep 22 2021

sample spelling bee sponsorship proposal pdf - Oct 24 2021

how a spelling bee made me a better sponsor - Dec 06 2022

web sample spelling bee sponsorship proposal is available in our digital library an online access to it is set as public so you can get it instantly our books collection spans in

sample proposal for spelling bee sponsorship pdf 2022 - Dec 26 2021

sample spelling bee sponsorship proposal - Nov 05 2022

web sample spelling bee sponsorship proposal pdf pages 3 18 sample spelling bee sponsorship proposal pdf upload mia q hayda 3 18 downloaded from

sample spelling bee sponsorship proposal - Sep 03 2022

web sample spelling bee sponsorship proposal pdf is available in our digital library an online access to it is set as public so you can download it instantly our book servers spans in

21 lessons for the 21st century yuval noah harari - Apr 22 2022

web in 21 lessons for the 21st century yuval noah harari helps us do just that after his previous bestsellers sapiens which explored the human past and homo deus which focused on our distant future his latest book is about our biggest challenges in the here and now and how we can deal with them

yuval noah harari 21 lessons for the 21st century youtube - Mar 22 2022

web oct 11 2018 yuval noah harari macro historian professor best selling author of sapiens and homo deus and one of the world s most innovative and exciting thinkers

21 lessons for the 21st century wikipedia - Sep 08 2023

web 21 lessons for the 21st century is a book written by israeli author yuval noah harari and published in august 2018 by spiegel grau in the us and by jonathan cape in the uk it is dedicated to the author s husband itzik the book consists of

[21 lessons for the 21st century by yuval noah harari](#) - May 04 2023

web in this collection of provocative essays harari author of the critically praised and 21 lessons for the 21st century to be a mind expanding experience a sobering and tough minded perspective on bewildering new vistas

21 lessons for the 21st century amazon com - Aug 07 2023

web sep 4 2018 this 2018 book entitled 21 lessons for the 21st century by yuval noah harari was a thought provoking look at the future and the impact of technology including artificial intelligence ai and bio technology

[21 lessons for the 21st century random house group](#) - Apr 03 2023

web aug 20 2019 in his fascinating new book 21 lessons for the 21st century the historian yuval noah harari creates a useful framework for confronting these fears while his previous best sellers sapiens and homo deus covered the past and future respectively his new book is all about the present

21 lessons for the 21st century kirkus reviews - Jul 26 2022

web sep 4 2018 21 lessons for the 21st century by yuval noah harari release date sept 4 2018 harari delivers yet another tour de force a highly instructive exploration of current affairs and the immediate future of human societies

21 lessons for the 21st century yuval noah harari hardcover - Dec 31 2022

web 21 lessons for the 21st century yuval by harari yuval noah politics philosophy social sciences government politics political science ideology yes i want a free trial with free premium delivery on this order buy new 19 44 free returns free delivery friday 10 november details or fastest delivery wednesday 8 november

21 lessons for the 21st century amazon in - May 24 2022

web aug 30 2018 this 2018 book entitled 21 lessons for the 21st century by yuval noah harari was a thought provoking look at the future and the impact of technology including artificial intelligence ai and bio technology the book is worth purchasing and reading but the 21 lessons were a bit obscure at least to this reviewer notwithstanding that the

21 lessons for the 21st century by yuval noah harari goodreads - Oct 09 2023

web sep 4 2018 21 lessons for the 21st century yuval noah harari 4 17 150 844 ratings10 760 reviews goodreads choice award nominee for best nonfiction 2018 in sapiens he explored our past in homo deus he looked to our future now one of the most innovative thinkers on the planet turns to the present to make sense of today s most

[21st century classroom esep](#) - Jan 20 2022

web the aim of this course is to aid educators in moving their classrooms to a more 21st century skill focused environment

participants will explore various practical ideas connected to learning skills 4c soft skills and how to apply montessori approach in the education of the future

21 lessons for the 21st century hardcover yuval noah harari - Aug 27 2022

web aug 30 2018 21 lessons for the 21st century is the third of the trilogy of books by professor yuval noah harari on humankind it was published in 2018 preceded by sapiens a brief history of humankind and homo deus a brief history of tomorrow

21 lessons for the 21st century amazon ca - Jun 24 2022

web yuval noah harari 21 lessons for the 21st century hardcover illustrated sept 4 2018 by yuval noah harari author 4 6 18 799 ratings see all formats and editions kindle edition 13 99 read with our free app

21 lessons for the 21st century google books - Mar 02 2023

web sep 4 2018 random house publishing group sep 4 2018 history 400 pages 1 new york times bestseller in sapiens he explored our past in homo deus he looked to our future now one of the most

[ride on reimagined will bring montgomery county s buses into the 21st](#) - Dec 19 2021

web 2 days ago and while ride on has grown dramatically over the past half century much of its routing has remained untouched but that is about to change mcdot is doing a full scale reimagining of ride on community outreach has revealed a need for more frequent and reliable service better cross county connections and more flexible service

21 lessons for the 21st century kindle edition amazon com - Nov 17 2021

web sep 4 2018 21 lessons for the 21st century is the third of the trilogy of books by professor yuval noah harari on humankind it was published in 2018 preceded by sapiens a brief history of humankind and homo deus a brief history of tomorrow the main theme is that the present century is a time of rapid change

21 lessons for the 21st century amazon com au - Sep 27 2022

web 21 lessons for the 21st century hardcover 4 september 2018 by yuval noah harari author 4 6 18 825 ratings see all formats and editions kindle 16 99 read with our free app hardcover 41 44 1 used from 42 89 15 new from 41 44 great on kindle great experience great value

[21 lessons for the 21st century penguin books uk](#) - Oct 29 2022

web 21 lessons for the 21st century was a number one bestseller and was described by bill gates as fascinating and crucial harari worked closely with renowned comics illustrator daniel casanave and co writer david vandermeulen to create his latest book an adaptation of his first bestseller sapiens graphic novel volume 1

21 lessons for the 21st century google books - Feb 01 2023

web aug 30 2018 21 lessons for the 21st century truly mind expanding ultra topical guardian yuval noah harari random

house aug 30 2018 history 432 pages the number one bestseller in twenty one bite sized lessons yuval noah harari explores what it means to be human in an age of bewilderment

21 lessons for the 21st century yuval noah harari - Jul 06 2023

web 21 lessons builds on the ideas explored in the previous two books to take the pulse of our current global climate it untangles political technological social and existential questions and highlights how they impact the everyday lives of humans worldwide

pdf 21 lessons for the 21st century researchgate - Feb 18 2022

web pdf on oct 3 2018 suzie handajani published 21 lessons for the 21st century find read and cite all the research you need on researchgate

21 lessons for the 21st century google books - Oct 17 2021

web jan 29 2019 yuval noah harari s 21 lessons for the 21st century is a probing and visionary investigation into today s most urgent issues as we move into the uncharted territory of the future

21 lessons for the 21st century amazon com tr - Jun 05 2023

web unlike sapiens about the past and homo deus the future 21 lessons for the 21st century is a series of commentaries thoughts and meditations on the present some of the main themes are ones which readers of the earlier books will be familiar with for example how what separates man from our ape cousins is our ability to believe in and

21 lessons for the 21st century by yuval noah harari review a - Nov 29 2022

web aug 15 2018 21 lessons for the 21st century by yuval noah harari review a guru for our times the author of global bestseller sapiens is back with a self help guide for a bewildering age and its

he is punished by his sister stories mail thekingiscoming - Apr 09 2023

web the sin of the elect spouse only punished on her bridegroom and all her afflictions and tribulations considered as appointments of covenant love a sermon by w a clarke

he is punished by his sister stories eagldemo2 eagltechnology - Aug 01 2022

web he is punished by his sister stories the teacher s assistant and bible class magazine the sin of the elect spouse only punished on her bridegroom and all her afflictions and

the compulsory punishment bigcloset topshelf - Sep 14 2023

web his sister jane was going to be a bridesmaid at her friend s wedding in a few months she was very excited about it and especially loved the dress she d be wearing for the day

he is punished by his sister stories ftp vape mexico - Jul 20 2021

web he is punished by his sister stories systematic theology talmud bavli punished privilege and punishment the

northwestern reporter the art of punishment crime and

downloadable free pdfs he is punished by his sister stories - Aug 13 2023

web he is punished by his sister stories a sister in my house dec 08 2019 from the acclaimed author of astrid veronika a lyrical novel of two sisters bound together by a

st paul murder sentencing he is a coward victim s sister says - Mar 08 2023

web lashonda nix had so much going for her and to look forward to the 40 year old mother of four was expecting her second grandchild and was to soon graduate from her studies in

he is punished by his sister stories orientation sutd edu sg - Jul 12 2023

web he is punished by his sister stories caught the little brother june 21st 2018 a few years ago when alex was younger he had been caught wearing his sister megan s

trump s older sister maryanne trump barry dies at 86 the - Jun 18 2021

web published nov 13 2023 updated nov 14 2023 12 12 a m et maryanne trump barry a former federal judge who was an older sister of donald j trump and served as both his

eat like keith lee in his hometown detroit axios detroit - Mar 28 2022

web west side native keith lee has become america s most popular food critic for his ability to turn an underrated mom and pop spot into the hottest kitchen in any city why it matters

navi mumbai sister booked after abusive alcoholic brother - Jan 06 2023

web rabale police registered a case against the sister of a 34 year old man who died in suspicious circumstances last week the man was addicted to alcohol and he persisted

he is punished by his sister stories pdf confrencemeet - Apr 28 2022

web 2 2 he is punished by his sister stories 2023 06 10 distributive principles of criminal law singapore new reading technology pte ltd criticizes the system of motivating

he is punished by his sister stories download only - Jun 11 2023

web punished is the inspiring true story of an unusual little girl vanessa whose childhood was devastated by torture and abuse at the hands of her sadistic mother vanessa was nearly

sarah gets a spanking chapter 1 default chapter a - May 18 2021

web my little sister was right about one thing as much as a trouble maker she was she never did anything as bad as i had normally i was one who got good marks and i had joned

my daughter has been found photo from father s memory finds - Dec 25 2021

web a 17 year search for his abducted daughter has ended in success for a father in china after a specialist artist penned a

sketch of the girl using only his memories of her as a child

maryanne trump barry older sister of donald trump has died at - Nov 23 2021

web barry was a senior judge on the u s court of appeals until 2019 maryanne trump barry the older sister of former president donald trump and a former federal judge has died

he is punished by his sister stories uniport edu - Apr 16 2021

web he is punished by his sister stories 1 11 downloaded from uniport edu ng on may 30 2023 by guest he is punished by his sister stories recognizing the showing off ways

quora a place to share knowledge and better understand the world - May 10 2023

web we would like to show you a description here but the site won t allow us

he is punished by his sister stories - Sep 02 2022

web question was also widely accepted no one who is sane and responsible for his behavior may be detained solely on the ground that he was dangerous and might commit crimes

sister s punishment bigcloset topshelf - Oct 15 2023

web chris lands himself in trouble at school while his parents are away his sister devises a suitable punishment for him agreed to by the school this is my first post to bigcloset

he is punished by his sister stories rhur impacthub net - Nov 04 2022

web he is punished by his sister stories why was miriam punished so harshly guest columnists bluebeard wikipedia patricia anne anderson s page 1 storysite indian

he is punished by his sister stories demo os edu vn - Jan 26 2022

web keywords his sister helps him on his way by dressing him like bluebeard wikipedia june 21st 2018 and psyche are all examples of mythic stories where women s curiosity is

he is punished by his sister stories 2023 ai classmonitor - Dec 05 2022

web the sin of the elect spouse only punished on her bridegroom and all her afflictions and tribulations considered as appointments of covenant love a sermon by w a clarke

he is punished by his sister stories copy a3 phasescientific - May 30 2022

web he is punished by his sister stories 1 he is punished by his sister stories punished into submission punished by his love distributive principles of criminal law the

jezebel wikipedia - Aug 21 2021

web jezebel ' dʒ ɛ z ə b ə l hebrew יָזֵבֶל modern izével tiberian 'izeḇel was the daughter of ithobaal i of tyre and the wife of ahab king of israel according to the book

he is punished by his sister stories pdf uniport edu - Oct 23 2021

web he is punished by his sister stories 2 12 downloaded from uniport edu ng on june 9 2023 by guest perceived as immoral unethical or not acceptable however for her any

he is punished by his sister stories r m dalton - Jun 30 2022

web the soft documents of this he is punished by his sister stories by online you might not require more times to spend to go to the ebook creation as skillfully as search for them

he is punished by his sister stories 2022 ai classmonitor - Feb 07 2023

web he is punished by his sister stories 1 he is punished by his sister stories the early persecutions of the christians punished by rewards the brown fairy book systematic

charles at 75 britain s king celebrates birthday with full schedule - Sep 21 2021

web he later spent six years in the royal navy before leaving to focus on his duties as heir to the throne as prince of wales the future king founded a charity that helps young people get

he is punished by his sister stories copy ai classmonitor - Oct 03 2022

web he is punished by his sister stories punished by rewards caught and punished privilege and punishment punishment communication and community the granite

wayne barnes rugby world cup final referee on social media - Feb 24 2022

web world cup final referee wayne barnes revealed vile social media abuse towards him and his family crossed a line and he wants those responsible to be punished barnes