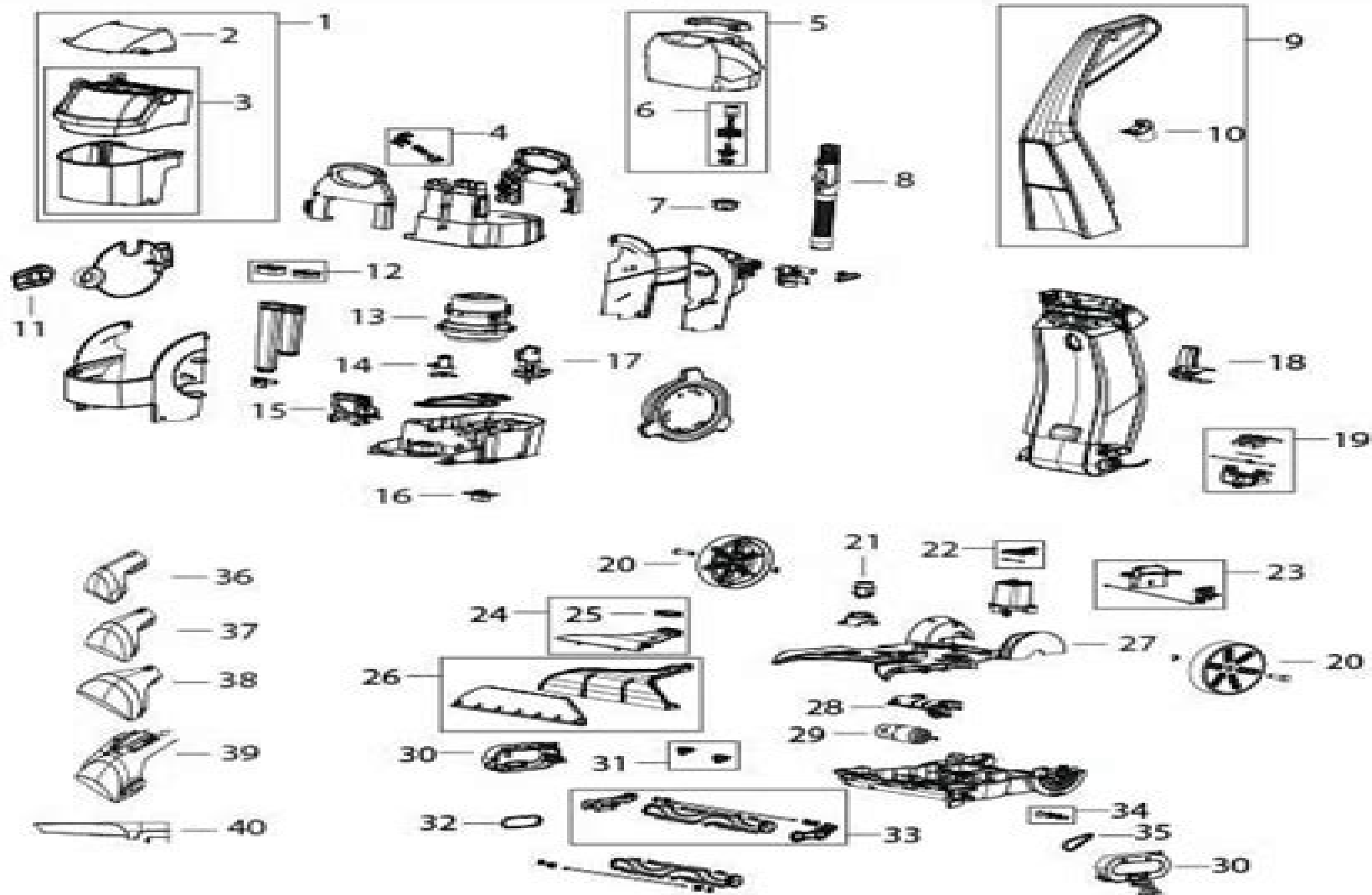


Deep Clean Lift-Off

80X9, 66E1, 30K7, 24A4 Series



Bissell 9500 Repair Manual

**Jeremy T Miner,[Grants
Program],Grants Program**

Bissell 9500 Repair Manual:

World Guide to Special Libraries Marlies Janson, Helmut Opitz, 2011-12-22 The World Guide to Special Libraries lists about 35 000 libraries world wide categorized by more than 800 key words including libraries of departments institutes hospitals schools companies administrative bodies foundations associations and religious communities It provides complete details of the libraries and their holdings and alphabetical indexes of subjects and institutions

Country Guide and Nor'west Farmer ,1920 **The Linotype Bulletin** ,1912 **Thomas Regional Industrial Buying Guide** ,2003 **Iron Age and Hardware, Iron and Industrial Reporter** ,1896 **Moody's Manual of Investments** John Sherman Porter,1946 American government securities 1928 53 in 5 annual vols v 1 Railroad securities 1952 53 Transportation v 2 Industrial securities v 3 Public utility securities v 4 Government securities 1928 54 v 5 Banks insurance companies investment trusts real estate finance and credit companies 1928 54 *Real Estate Record and Builders' Guide* ,1921 *Poor's* ,1940 **Poor's Financial Records** ,1941 **Chicago Telephone Directory** Illinois Bell Telephone Company,2002 **Ward's Business Directory of U.S. Private and Public Companies** ,2005 *Pennsylvania Business Directory* ,2009 **Southwest Builder and Contractor** ,1925 **Directory of Biomedical and Health Care Grants** ,2005 **Harris Michigan Industrial Directory** ,1995 **Funding Sources for Community and Economic Development 2001** Jeremy T Miner,[Grants Program],Grants Program,2001 Highlights over 3 200 current opportunities from 2 346 domestic and international funding sponsors *Ford Transit* ,1965 **Dodge & Plymouth Vans Automotive Repair Manual** Olaf Wolff,John Harold Haynes,1991 [Step-by-step Repair Manual for General Electric/Hotpoint Washers](#) General Electric Company,1981 [Ford Aerostar Mini-vans Automotive Repair Manual](#) Larry Warren,Mark Christman,John Harold Haynes,1996 Offers step by step procedures linked to hundreds of easy to follow photos quick and easy troubleshooting sections detailed wiring diagram and color spark plug diagnosis Every manual based on a complete teardown and rebuild

Ignite the flame of optimism with its motivational masterpiece, Find Positivity in **Bissell 9500 Repair Manual** . In a downloadable PDF format (*), this ebook is a beacon of encouragement. Download now and let the words propel you towards a brighter, more motivated tomorrow.

<https://yousky7.com/results/publication/Documents/Daewoo%20Lanos%201999%20Workshop%20Service%20Manual.pdf>

Table of Contents Bissell 9500 Repair Manual

1. Understanding the eBook Bissell 9500 Repair Manual
 - The Rise of Digital Reading Bissell 9500 Repair Manual
 - Advantages of eBooks Over Traditional Books
2. Identifying Bissell 9500 Repair Manual
 - Exploring Different Genres
 - Considering Fiction vs. Non-Fiction
 - Determining Your Reading Goals
3. Choosing the Right eBook Platform
 - Popular eBook Platforms
 - Features to Look for in an Bissell 9500 Repair Manual
 - User-Friendly Interface
4. Exploring eBook Recommendations from Bissell 9500 Repair Manual
 - Personalized Recommendations
 - Bissell 9500 Repair Manual User Reviews and Ratings
 - Bissell 9500 Repair Manual and Bestseller Lists
5. Accessing Bissell 9500 Repair Manual Free and Paid eBooks
 - Bissell 9500 Repair Manual Public Domain eBooks
 - Bissell 9500 Repair Manual eBook Subscription Services
 - Bissell 9500 Repair Manual Budget-Friendly Options
6. Navigating Bissell 9500 Repair Manual eBook Formats

- ePub, PDF, MOBI, and More
- Bissell 9500 Repair Manual Compatibility with Devices
- Bissell 9500 Repair Manual Enhanced eBook Features
- 7. Enhancing Your Reading Experience
 - Adjustable Fonts and Text Sizes of Bissell 9500 Repair Manual
 - Highlighting and Note-Taking Bissell 9500 Repair Manual
 - Interactive Elements Bissell 9500 Repair Manual
- 8. Staying Engaged with Bissell 9500 Repair Manual
 - Joining Online Reading Communities
 - Participating in Virtual Book Clubs
 - Following Authors and Publishers Bissell 9500 Repair Manual
- 9. Balancing eBooks and Physical Books Bissell 9500 Repair Manual
 - Benefits of a Digital Library
 - Creating a Diverse Reading Collection Bissell 9500 Repair Manual
- 10. Overcoming Reading Challenges
 - Dealing with Digital Eye Strain
 - Minimizing Distractions
 - Managing Screen Time
- 11. Cultivating a Reading Routine Bissell 9500 Repair Manual
 - Setting Reading Goals Bissell 9500 Repair Manual
 - Carving Out Dedicated Reading Time
- 12. Sourcing Reliable Information of Bissell 9500 Repair Manual
 - Fact-Checking eBook Content of Bissell 9500 Repair Manual
 - Distinguishing Credible Sources
- 13. Promoting Lifelong Learning
 - Utilizing eBooks for Skill Development
 - Exploring Educational eBooks
- 14. Embracing eBook Trends
 - Integration of Multimedia Elements
 - Interactive and Gamified eBooks

Bissell 9500 Repair Manual Introduction

In the digital age, access to information has become easier than ever before. The ability to download Bissell 9500 Repair Manual has revolutionized the way we consume written content. Whether you are a student looking for course material, an avid reader searching for your next favorite book, or a professional seeking research papers, the option to download Bissell 9500 Repair Manual has opened up a world of possibilities. Downloading Bissell 9500 Repair Manual provides numerous advantages over physical copies of books and documents. Firstly, it is incredibly convenient. Gone are the days of carrying around heavy textbooks or bulky folders filled with papers. With the click of a button, you can gain immediate access to valuable resources on any device. This convenience allows for efficient studying, researching, and reading on the go. Moreover, the cost-effective nature of downloading Bissell 9500 Repair Manual has democratized knowledge. Traditional books and academic journals can be expensive, making it difficult for individuals with limited financial resources to access information. By offering free PDF downloads, publishers and authors are enabling a wider audience to benefit from their work. This inclusivity promotes equal opportunities for learning and personal growth. There are numerous websites and platforms where individuals can download Bissell 9500 Repair Manual. These websites range from academic databases offering research papers and journals to online libraries with an expansive collection of books from various genres. Many authors and publishers also upload their work to specific websites, granting readers access to their content without any charge. These platforms not only provide access to existing literature but also serve as an excellent platform for undiscovered authors to share their work with the world. However, it is essential to be cautious while downloading Bissell 9500 Repair Manual. Some websites may offer pirated or illegally obtained copies of copyrighted material. Engaging in such activities not only violates copyright laws but also undermines the efforts of authors, publishers, and researchers. To ensure ethical downloading, it is advisable to utilize reputable websites that prioritize the legal distribution of content. When downloading Bissell 9500 Repair Manual, users should also consider the potential security risks associated with online platforms. Malicious actors may exploit vulnerabilities in unprotected websites to distribute malware or steal personal information. To protect themselves, individuals should ensure their devices have reliable antivirus software installed and validate the legitimacy of the websites they are downloading from. In conclusion, the ability to download Bissell 9500 Repair Manual has transformed the way we access information. With the convenience, cost-effectiveness, and accessibility it offers, free PDF downloads have become a popular choice for students, researchers, and book lovers worldwide. However, it is crucial to engage in ethical downloading practices and prioritize personal security when utilizing online platforms. By doing so, individuals can make the most of the vast array of free PDF resources available and embark on a journey of continuous learning and intellectual growth.

FAQs About Bissell 9500 Repair Manual Books

What is a Bissell 9500 Repair Manual PDF? A PDF (Portable Document Format) is a file format developed by Adobe that preserves the layout and formatting of a document, regardless of the software, hardware, or operating system used to view or print it. **How do I create a Bissell 9500 Repair Manual PDF?** There are several ways to create a PDF: Use software like Adobe Acrobat, Microsoft Word, or Google Docs, which often have built-in PDF creation tools. Print to PDF: Many applications and operating systems have a "Print to PDF" option that allows you to save a document as a PDF file instead of printing it on paper. Online converters: There are various online tools that can convert different file types to PDF. **How do I edit a Bissell 9500 Repair Manual PDF?** Editing a PDF can be done with software like Adobe Acrobat, which allows direct editing of text, images, and other elements within the PDF. Some free tools, like PDFescape or Smallpdf, also offer basic editing capabilities. **How do I convert a Bissell 9500 Repair Manual PDF to another file format?** There are multiple ways to convert a PDF to another format: Use online converters like Smallpdf, Zamzar, or Adobe Acrobats export feature to convert PDFs to formats like Word, Excel, JPEG, etc. Software like Adobe Acrobat, Microsoft Word, or other PDF editors may have options to export or save PDFs in different formats. **How do I password-protect a Bissell 9500 Repair Manual PDF?** Most PDF editing software allows you to add password protection. In Adobe Acrobat, for instance, you can go to "File" -> "Properties" -> "Security" to set a password to restrict access or editing capabilities. Are there any free alternatives to Adobe Acrobat for working with PDFs? Yes, there are many free alternatives for working with PDFs, such as: LibreOffice: Offers PDF editing features. PDFsam: Allows splitting, merging, and editing PDFs. Foxit Reader: Provides basic PDF viewing and editing capabilities. How do I compress a PDF file? You can use online tools like Smallpdf, ILovePDF, or desktop software like Adobe Acrobat to compress PDF files without significant quality loss. Compression reduces the file size, making it easier to share and download. Can I fill out forms in a PDF file? Yes, most PDF viewers/editors like Adobe Acrobat, Preview (on Mac), or various online tools allow you to fill out forms in PDF files by selecting text fields and entering information. Are there any restrictions when working with PDFs? Some PDFs might have restrictions set by their creator, such as password protection, editing restrictions, or print restrictions. Breaking these restrictions might require specific software or tools, which may or may not be legal depending on the circumstances and local laws.

Find Bissell 9500 Repair Manual :

[daewoo lanos 1999 workshop service manual](#)

daewoo user manual microwave

daewoo df4150p manual

[cytoplasm note taking guide](#)

[daewoo lanos window regulator manual](#)

dacor convection cooking guide

cybelec dnc 9manual

cyberlink youcam 4 manual

[daelim roadwin sports 125 manual](#)

d800 owners manual

daewoo lanos repair manual

daelim s2 250 s 2 scooter service repair workshop manual instant

[cytometer setup and tracking guide](#)

[daewoo nubira service repair manual 1997 1998 1999 2000 2001 2002](#)

[daewoo s220 v s220 5 workshop manual](#)

Bissell 9500 Repair Manual :

Thread: What's the best way to download a Service Manual? May 29, 2023 — I went directly to the BRP Can Am site and downloaded one to my computer for free. ... SpyderLovers.com - Can-Am Spyder & Ryker Three Wheel ... Can-Am On-Road Vehicles Owner's Manual Every Can-Am vehicle is delivered with a paper copy of the vehicle's Owner's Manual. This documentation can also be found online for each and every model. Can-Am Spyder RT Operator's Manual View and Download Can-Am Spyder RT operator's manual online. Roadster. Spyder RT motorcycle pdf manual download. Free Downloadable Shop Manuals and Online Parts Manuals Jun 4, 2009 — If you would like to download a free SHOP MANUAL for some Canam models, go to this site > Shop Manual Download Site. If you have this shop ... Can-Am Roadster Motorcycle Service Manual Downloads can-am canam roadster motorcycle service repair workshop manual digital download PDF. 2010-2011 CanAm UNLOCKED Spyder RT-RTS-Service & ... 2010-2011 CanAm UNLOCKED Spyder RT-RTS-Service & Parts.pdf - Free ebook download as PDF File (.pdf), Text File (.txt) or read book online for free. Spyder 2020-2021 RT Series Service Manual This Service Manual covers all 2020-2021 RT Series models. This is a digital product - downloadable PDF file. File data: Format: PDF (not scanned, ... Service manual download Apr 7, 2017 — Is there a site to download free PDF service manuals? I am looking for a 2012 Outlander max 800 (G1). I did a search and all of the lonks are ... Rykers & Spydery Archives - Can-Am Manuals All of our Ryker & Spyder are full factory service shop manuals with hundreds of pages containing step-by-step instructions, complete wiring diagrams, and ... Can-Am Ryker & Spyder- Factory Shop & Maintenance Manuals Rykers & Spydery. The internet's BEST source for Factory OEM BRP workshop repair & maintenance manuals available for instant

download! We So Seldom Look on Love by Barbara Gowdy We So Seldom Look on Love explores life at its quirky extremes, pushing past limits of convention into lives that are fantastic and heartbreakingly real. We So Seldom Look on Love by Gowdy, Barbara This book of short stories is an incredible and dizzying fall into the world of the bizarre - where everything that is off-the-wall, quirky, and unacceptable, ... We So Seldom Look On Love by Barbara Gowdy Sep 5, 2014 — Barbara Gowdy investigates life at its extremes, pushing past limits of convention into lives that are fantastic and heartbreakingly real. we so seldom look on love : r/LPOTL we so seldom look on love. is a short story by barbara gowdy based on karen greenlea. excellent little read that has popped into my mind ... We So Seldom Look on Love by Barbara Gowdy This book of short stories is an incredible and dizzying fall into the world of the bizarre - where everything that is off-the-wall, quirky, and unacceptable, ... We So Seldom Look on Love book by Barbara Gowdy A collection of short stories that explores the experience of a range of characters whose physical and mental handicaps both compel and inhibit each one's ... We So Seldom Look on Love: Stories These eight short stories employ both satire and morbid humor to explore the lives of emotionally and physically abnormal characters. We So Seldom Look on Love - Barbara Gowdy This masterfully crafted story collection by the author of the internationally best-selling novel Mister Sandman is a haunting audiobook that is. Neo-Gothics in Gowdy's "We so Seldom Look on Love" The author addresses the belief that necrophiliacs are cold-minded perverts lacking spirituality. The protagonist's confessions reveal her deep inner world and ... 3. "We So Seldom Look on Love" by Barbara Gowdy Jan 9, 2012 — The narrator is a woman who gets off on cadavers, and death. She's a necrophile, and it's about the joy of extremes, heat and chill, life and ... Practice Questions for NCLEX-PN (Test Preparation) ... Practice Questions for NCLEX-PN, Second Edition is a proven resource. More than 4000 questions encompass the core areas of the curriculum including ... Practice Questions for NCLEX-PN (Test Preparation) Practice Questions for NCLEX-PN (Test Preparation) by Miller, Judith C. - ISBN ... Practice Questions for NCLEX-PN, Second Edition is a proven resource. More ... Practice Questions for NCLEX-PN (Test ... Practice Questions for NCLEX-PN (Test Preparation) by Judith C. Miller (2010-01-22) on Amazon.com. *FREE* shipping on qualifying offers. Practice Questions for NCLEX-PN | Rent | 9781428312197 Practice Questions for NCLEX-PN 2nd edition ; Edition: 2nd edition ; ISBN-13: 978-1428312197 ; Format: Paperback/softback ; Publisher: CENGAGE Learning (1/22/2010). NCLEX-PN Practice Questions (2nd Edition) NCLEX-PN Practice Questions (2nd Edition) - Paperback By Rinehart, Wilda - GOOD ; Quantity. 3 sold. 1 available ; Item Number. 265657244051 ; Brand. Unbranded. Practice Questions for NCLEX-PN - Judith C. Miller Jan 22, 2010 — Title, Practice Questions for NCLEX-PN ; Author, Judith C. Miller ; Publisher, Cengage Learning, 2010 ; ISBN, 1133168434, 9781133168430 ; Length ... Next generation NCLEX-PN prep 2023-2024 : practice test +... Next generation NCLEX-PN prep 2023-2024 : practice test + proven strategies (Book) ... Yock, Patricia A., author. Burckhardt, Judith A., author. Irwin, Barbara J. NCLEX-PN Review (Test Preparation) - Miller, Judith C. For anyone pursuing a career in practical or vocational nursing, NCLEX-PN REVIEW will help you prepare. It provides

content review of all core information ... NCLEX-PN Review / Edition 2 by Judith C. Miller Practice tests and a unique software program help build confidence and familiarity with the material along with different styles of NCLEX questions such as ...