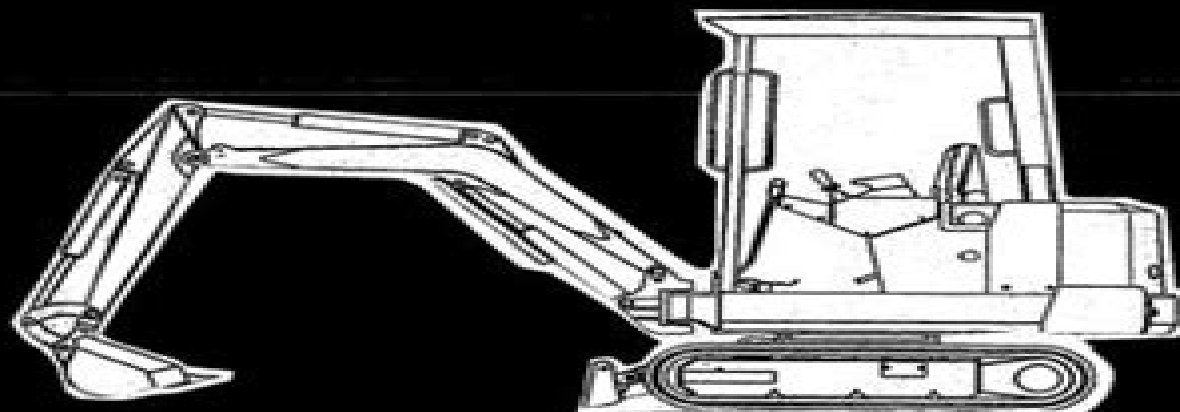


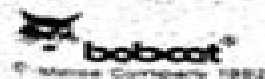
220

S/N 15001 & Above

SERVICE MANUAL



Dealer Copy -- Not for Resale



Bobcat 220 Manual

william t. hornaday



Bobcat 220 Manual:

Motor Auto Repair Manual, 1984 Spine title Motor auto repair Provides specific instructions for the repair of cars built from 1979 to 1985 *Chilton's Auto Repair Manual* Chilton Automotive Books, 1980 **American Cars, 1973-1980** J. "Kelly" Flory, Jr., 2012-11-14 The 1973 oil crisis forced the American automotive industry into a period of dramatic change marked by stiff foreign competition tougher product regulations and suddenly altered consumer demand With gas prices soaring and the economy in a veritable tailspin muscle cars and the massive need for speed engines of the late 60s were out and fuel efficient compacts were in By 1980 American manufacturers were churning out some of the most feature laden yet smallest and most fuel efficient cars they had ever built This exhaustive reference work details every model from each of the major American manufacturers from model years 1973 through 1980 including various captive imports e g Dodge s Colt built by Mitsubishi Within each model year it reports on each manufacturer s significant news and details every model offered its specifications powertrain offerings prices standard features major options and production figures among other facts The work is heavily illustrated with approximately 1 300 photographs [Motor Auto Repair Manual](#) Louis C. Forier, 1978

Motor's Auto Repair Manual Louis C. Forier, 1977 *Popular Science*, 1980-08 Popular Science gives our readers the information and tools to improve their technology and their world The core belief that Popular Science and our readers share The future is going to be better and science and technology are the driving forces that will help make it better [Chilton's Auto Repair Manual, 1983](#) Chilton Automotive Books, 1982 Guide to maintenance and repair of every mass produced American car made between 1976 and 1983 **Basic Building and Construction Skills** Edward Hawkins, 2016-01-01 The fifth edition of Basic Building and Construction Skills is updated to support the new training package requirements It is written for apprentices completing Certificate I II III in Carpentry and the Certificate I II III in Carpentry and Joinery qualifications Now in full colour this new edition covers 8 core units of competency It has been fully updated to reflect present day building practices standards and legislation With a greater focus on sustainability Basic Building and Construction Skills 5e combines standard industry practice with the newest industry technology tools and benchmarks With updated end of section worksheets new content images and photos as well as a robust instructor support package Basic Building and Construction Skills 5e is an extremely useful resource for providing learners with the underpinning knowledge skills and awareness necessary for a successful career in building and carpentry Basic Building and Construction Skills 5e covers CPCCCA2011A Handle carpentry materials CPCCCA2002B Use carpentry tools and equipment CPCCCM1012A Work effectively and sustainably in the construction industry CPCCCM1013A Plan and organise work CPCCCM1014A Conduct workplace communication CPCCCM1015A Carry out measurements and calculations CPCCCM2001A Read and interpret plans and specifications CPCCOHS2001A Apply OHS Requirements Policies and Procedures in the Construction Industry CPCCOHS1001A Work Safely in the Construction Industry **Moody's International Manual**, 1997 **Popular Science**

,1980-07 Popular Science gives our readers the information and tools to improve their technology and their world The core belief that Popular Science and our readers share The future is going to be better and science and technology are the driving forces that will help make it better *Subject Guide to Books in Print* ,1984 **How to Make Your Car Handle** Fred Puhn,1987-01-01 To make your car handle design a suspension system or just learn about chassis you ll find what you need here Basic suspension theory is thoroughly covered roll center roll axis camber change bump steer anti dive ride rate ride balance and more How to choose install and modify suspensions and suspension hardware for best handling springs sway bars shock absorbers bushings tired and wheels Regardless of the basic layout of your car front engine rear drive front engine front drive or rear engine rear drive it is covered here Aerodynamic hardware and body modifications for reduced drag high speed stability and increased cornering power spoilers air dams wings and ground effects devices How to modify and set up brakes for maximum stopping power and handling The most complete source of handling information available Suspension secrets explained in plain understandable language so you can be the expert **Historical** William James McKnight,1917 *Popular Mechanics* ,1979-12 Popular Mechanics inspires instructs and influences readers to help them master the modern world Whether it s practical DIY home improvement tips gadgets and digital technology information on the newest cars or the latest breakthroughs in science PM is the ultimate guide to our high tech lifestyle **wild life conservation** william t. hornaday,1914 *Public Opinion* ,1904 **Wild Life Conservation in Theory and Practice** William Temple Hornaday,1914 Compares the scientific concept of race with the social practice of racism with emphasis on racism in the United States *Aesthetic Rejuvenation Challenges and Solutions* Paul J. Carniol,Gary D. Monheit,2009-12-16 Practitioners of aesthetic medicine and surgery already have a series of textbooks instructing on how to treat the standard patient Unfortunately they also have patients who do not conform to the average those who are of a different age or sex ethnicity or medical history or who have special social requirements Aesthetic Rejuvenation Challen [Mechanix Illustrated](#) ,1984 *Automotive News* ,1980-10

Embark on a transformative journey with is captivating work, Grab Your Copy of **Bobcat 220 Manual** . This enlightening ebook, available for download in a convenient PDF format , invites you to explore a world of boundless knowledge. Unleash your intellectual curiosity and discover the power of words as you dive into this riveting creation. Download now and elevate your reading experience to new heights .

https://yousky7.com/files/uploaded-files/index.jsp/Collapse_New_Americabook_One_English_Edition.pdf

Table of Contents Bobcat 220 Manual

1. Understanding the eBook Bobcat 220 Manual
 - The Rise of Digital Reading Bobcat 220 Manual
 - Advantages of eBooks Over Traditional Books
2. Identifying Bobcat 220 Manual
 - Exploring Different Genres
 - Considering Fiction vs. Non-Fiction
 - Determining Your Reading Goals
3. Choosing the Right eBook Platform
 - Popular eBook Platforms
 - Features to Look for in an Bobcat 220 Manual
 - User-Friendly Interface
4. Exploring eBook Recommendations from Bobcat 220 Manual
 - Personalized Recommendations
 - Bobcat 220 Manual User Reviews and Ratings
 - Bobcat 220 Manual and Bestseller Lists
5. Accessing Bobcat 220 Manual Free and Paid eBooks
 - Bobcat 220 Manual Public Domain eBooks
 - Bobcat 220 Manual eBook Subscription Services
 - Bobcat 220 Manual Budget-Friendly Options

6. Navigating Bobcat 220 Manual eBook Formats
 - ePub, PDF, MOBI, and More
 - Bobcat 220 Manual Compatibility with Devices
 - Bobcat 220 Manual Enhanced eBook Features
7. Enhancing Your Reading Experience
 - Adjustable Fonts and Text Sizes of Bobcat 220 Manual
 - Highlighting and Note-Taking Bobcat 220 Manual
 - Interactive Elements Bobcat 220 Manual
8. Staying Engaged with Bobcat 220 Manual
 - Joining Online Reading Communities
 - Participating in Virtual Book Clubs
 - Following Authors and Publishers Bobcat 220 Manual
9. Balancing eBooks and Physical Books Bobcat 220 Manual
 - Benefits of a Digital Library
 - Creating a Diverse Reading Collection Bobcat 220 Manual
10. Overcoming Reading Challenges
 - Dealing with Digital Eye Strain
 - Minimizing Distractions
 - Managing Screen Time
11. Cultivating a Reading Routine Bobcat 220 Manual
 - Setting Reading Goals Bobcat 220 Manual
 - Carving Out Dedicated Reading Time
12. Sourcing Reliable Information of Bobcat 220 Manual
 - Fact-Checking eBook Content of Bobcat 220 Manual
 - Distinguishing Credible Sources
13. Promoting Lifelong Learning
 - Utilizing eBooks for Skill Development
 - Exploring Educational eBooks
14. Embracing eBook Trends
 - Integration of Multimedia Elements

- Interactive and Gamified eBooks

Bobcat 220 Manual Introduction

Bobcat 220 Manual Offers over 60,000 free eBooks, including many classics that are in the public domain. Open Library: Provides access to over 1 million free eBooks, including classic literature and contemporary works. Bobcat 220 Manual Offers a vast collection of books, some of which are available for free as PDF downloads, particularly older books in the public domain. Bobcat 220 Manual : This website hosts a vast collection of scientific articles, books, and textbooks. While it operates in a legal gray area due to copyright issues, its a popular resource for finding various publications. Internet Archive for Bobcat 220 Manual : Has an extensive collection of digital content, including books, articles, videos, and more. It has a massive library of free downloadable books. Free-eBooks Bobcat 220 Manual Offers a diverse range of free eBooks across various genres. Bobcat 220 Manual Focuses mainly on educational books, textbooks, and business books. It offers free PDF downloads for educational purposes. Bobcat 220 Manual Provides a large selection of free eBooks in different genres, which are available for download in various formats, including PDF. Finding specific Bobcat 220 Manual, especially related to Bobcat 220 Manual, might be challenging as theyre often artistic creations rather than practical blueprints. However, you can explore the following steps to search for or create your own Online Searches: Look for websites, forums, or blogs dedicated to Bobcat 220 Manual, Sometimes enthusiasts share their designs or concepts in PDF format. Books and Magazines Some Bobcat 220 Manual books or magazines might include. Look for these in online stores or libraries. Remember that while Bobcat 220 Manual, sharing copyrighted material without permission is not legal. Always ensure youre either creating your own or obtaining them from legitimate sources that allow sharing and downloading. Library Check if your local library offers eBook lending services. Many libraries have digital catalogs where you can borrow Bobcat 220 Manual eBooks for free, including popular titles. Online Retailers: Websites like Amazon, Google Books, or Apple Books often sell eBooks. Sometimes, authors or publishers offer promotions or free periods for certain books. Authors Website Occasionally, authors provide excerpts or short stories for free on their websites. While this might not be the Bobcat 220 Manual full book , it can give you a taste of the authors writing style. Subscription Services Platforms like Kindle Unlimited or Scribd offer subscription-based access to a wide range of Bobcat 220 Manual eBooks, including some popular titles.

FAQs About Bobcat 220 Manual Books

1. Where can I buy Bobcat 220 Manual books? Bookstores: Physical bookstores like Barnes & Noble, Waterstones, and

- independent local stores. Online Retailers: Amazon, Book Depository, and various online bookstores offer a wide range of books in physical and digital formats.
2. What are the different book formats available? Hardcover: Sturdy and durable, usually more expensive. Paperback: Cheaper, lighter, and more portable than hardcovers. E-books: Digital books available for e-readers like Kindle or software like Apple Books, Kindle, and Google Play Books.
 3. How do I choose a Bobcat 220 Manual book to read? Genres: Consider the genre you enjoy (fiction, non-fiction, mystery, sci-fi, etc.). Recommendations: Ask friends, join book clubs, or explore online reviews and recommendations. Author: If you like a particular author, you might enjoy more of their work.
 4. How do I take care of Bobcat 220 Manual books? Storage: Keep them away from direct sunlight and in a dry environment. Handling: Avoid folding pages, use bookmarks, and handle them with clean hands. Cleaning: Gently dust the covers and pages occasionally.
 5. Can I borrow books without buying them? Public Libraries: Local libraries offer a wide range of books for borrowing. Book Swaps: Community book exchanges or online platforms where people exchange books.
 6. How can I track my reading progress or manage my book collection? Book Tracking Apps: Goodreads, LibraryThing, and Book Catalogue are popular apps for tracking your reading progress and managing book collections. Spreadsheets: You can create your own spreadsheet to track books read, ratings, and other details.
 7. What are Bobcat 220 Manual audiobooks, and where can I find them? Audiobooks: Audio recordings of books, perfect for listening while commuting or multitasking. Platforms: Audible, LibriVox, and Google Play Books offer a wide selection of audiobooks.
 8. How do I support authors or the book industry? Buy Books: Purchase books from authors or independent bookstores. Reviews: Leave reviews on platforms like Goodreads or Amazon. Promotion: Share your favorite books on social media or recommend them to friends.
 9. Are there book clubs or reading communities I can join? Local Clubs: Check for local book clubs in libraries or community centers. Online Communities: Platforms like Goodreads have virtual book clubs and discussion groups.
 10. Can I read Bobcat 220 Manual books for free? Public Domain Books: Many classic books are available for free as they're in the public domain. Free E-books: Some websites offer free e-books legally, like Project Gutenberg or Open Library.

Find Bobcat 220 Manual :**collapse new americabook one english edition**

college football schedule 2014 2015

coleman mach 3 air conditioner installation manual

collins efis 85 manual

~~college basketball scores 2013~~

collins fms 50 manual

collins fms 500 manual

coles magazine march 2014

collide gail mehugh 2 shared

college board new sat

coleman floor furnace manual

collections textbook answer key

collins pcat 2 study guide essay

colored stone tucson show guide

collins bird guide new edition

Bobcat 220 Manual :

highscope approach curriculum overview philosophy - Dec 12 2022

web feb 9 2022 the main principles of highscope are active learning hands on exploration of materials shared control between teachers and children and a whole child approach to learning children are

the highscope curriculum for early childhood education - May 17 2023

web easily apply the highscope curriculum to everyday practice with resources designed to support daily learning includes strategies to individualize learning throughout the daily routine and activities for building children s literacy skills music to support learning and executive function and more

lesson plans aligned with singapore math and common core - Apr 16 2023

web our full year singapore math resources are aligned with major singapore based textbooks such as math in focus primary mathematics etc these resources including lesson plans videos worksheets and more are available for unlimited access all grades in our membership program start your free trial lesson plans for singapore math grades 1

in this using the cor for inspired issue lesson planning highscope - Oct 22 2023

web highscope developed the preschool child observation record cor in response to the need for an early childhood assessment that would give a comprehensive portrait of a child s developmental progress the success of the preschool cor

helped many different early childhood programs assess their children and improve their
results for singapore lesson plan tpt - Jul 07 2022

web this chapter is not common core aligned 5 math units that go with singapore math includes over 25 math lesson plans
topics include numbers 1 10 number bonds addition strategies subtraction strategies word problems solving real world
problems fact families plane shapes solid shapes dividing shapes counting

high scope lesson plans teaching resources teachers pay teachers - Nov 11 2022

web these lesson plan templates are formatted to fit the parts of the high scope daily routine there is a daily plan template as
well as a weekly overview layout i like to use the weekly layout when brainstorming ideas for the week then the daily plan to
add more details to my lessons

highscope lesson plan sheet pdf scribd - Jul 19 2023

web highscope lesson plan sheet view presentation slides online lesson plan template for high scope lesson

high scope and common core lesson plan - Aug 20 2023

web high scope and common core lesson plan and tasks have been scoured from thoughtful math bloggers who have
advanced our practice by posting their materials online high school lesson plans for computers amp internet subjects april
26th 2018 email lesson plans contents time 7 days this will be completed in 7

ebook high scope and common core lesson plan - Jun 18 2023

web high scope and common core lesson plan common core state standards 1st grade lesson plans oct 24 2021 this book
contains two lesson plans for each sub standard of the new common core state standards challenging common core language
arts lessons grade 5 feb 25 2022 this activity book from the center for gifted education

downloadable free pdfs high scope and common core lesson plan - Jan 13 2023

web high scope and common core lesson plan teaching stem and common core with mentor texts collaborative lesson plans k
5 may 22 2022 teaching stem and common core with mentor text explains the basics of stem science technology

singapore goals objectives and design of its curriculum - May 05 2022

web goals and objectives of the singapore curriculum the general education objectives for mathematics in singapore allow
the students to acquire math concepts and skills for daily use and to continue learning mathematics develop cognitive and
metacognitive skills through a mathematical approach to problem solving

common core lesson plan template for middle and high school tpt - Aug 08 2022

web use this simple common core lesson plan template to set you on the right path designed for grades 6 12 this lesson plan
template features spaces for daily aim bell work mini lesson main activity objectives modifications focus ccss

high scope and common core lesson plan pdf 2023 - Sep 09 2022

web the chapters focus on key chronological periods e g the age of exploration to the civil rights era and follow the scope and sequence of major social studies textbooks with activities linked to the u s history content standards and the common core state standards for literacy in history social

high scope and common core lesson plan openstax full pdf - Jun 06 2022

web you could purchase guide high scope and common core lesson plan or get it as soon as feasible you could quickly download this high scope and common core lesson plan after getting deal so behind you require the book swiftly you can straight acquire it its as a result definitely easy and appropriately fats isnt it you have to favor to in

high scope a constructivist approach education - Mar 15 2023

web the high scope curriculum comes from two sources children s interests and the key experiences which are lists of observable learning behaviors basing a curriculum in part on children s interests is very constructivist and implements the philosophies of

high scope and common core lesson plan download only - Apr 04 2022

web high scope foundation high scope preschool curriculum is a model for developing high quality early childhood programs that encourage and support children s initiatives and active learning experiences this revised manual for early childhood practitioners and students presents essential strategies adults can use to make active learning a

highscope lesson plans for texas 2021 - Oct 10 2022

web lesson plans for the first 30 days contains six weeks of user friendly plans that build on children s developing skills and model the highscope active learning approach each lesson plan includes activities for greeting time small and large group times as well as plan do review a majority of these plans offer

high scope and common core lesson plan pdf api - Mar 03 2022

web 2 high scope and common core lesson plan 2020 08 17 high scope and common core lesson plan downloaded from api 2 crabplace com by guest sonny clarence leaders of their own learning routledge through its unique integration of curriculum and learning principles early childhood curriculum a constructivist perspective 2nd edition

the highscope infant toddler curriculum - Feb 14 2023

web children and assist children in problem solving they also support older toddlers in planning and recalling their choice time activities daily schedules in highscope settings caregivers maintain the overall routine as consistently as possible while flexing it to accommo date individual children s natural rhythms and temperaments

cor advantage highscope - Sep 21 2023

web criterion referenced and research based cor advantage has been proven valid and reliable through rigorous validation studies cor advantage is aligned to the head start early learning outcomes framework common core state standards and early

learning state standards and can be used with any developmentally appropriate curriculum

cep 2ª edição setec consulting group - Nov 06 2022

web o cep é uma ferramenta extremamente poderosa para a obtenção da melhoria contínua este curso atende completamente o manual de cep 2ª edição da aiag automotive industry action group este treinamento é totalmente embasado no software minitab

aiag ne anlama geliyor aiag tanımları kısaltma bulucu - Mar 30 2022

web aiag nin tüm anlamlarını görmek için lütfen aşağı kaydırın tanımların tam listesi aşağıdaki tabloda alfabetik olarak gösterilmiştir aiag başlıca anlamları

aiag - Jun 13 2023

web aiag

aiag cep manual git 02 infra openwrt org - Jun 01 2022

web aug 28 2023 aiag cep manual in pdf format in that case you come on to the correct spc aiag manual 2nd edition statistics control system july 7th 2018 spc aiag manual 2nd edition free ebook download as pdf file pdf text file txt or read book online for free aiag ppap 128 199 131 172

aiag cep manual klantenhandboek dutchgiraffe com - Apr 30 2022

web aiag cep manual aiag cep manual 2 downloaded from klantenhandboek dutchgiraffe com on 2019 09 01 by guest amherst 2021 09 09 this work has been selected by scholars as being culturally important and is part of the knowledge base of civilization as we know it this work is in the public domain in the united states of america and possibly other *cadernos do ime série estatística* - Sep 04 2022

web essa questão é tão significativa que a aiag 1991 considera no seu guia de implantação do controle estatístico de processo a significância prática segundo o manual do cep da aiag todo processo está sujeito a ser classificado segundo a sua portuguese portugês aiag international store aiag - Jul 02 2022

web aiag offers many products in portuguese portugês which can be purchased directly from our online store for quicker delivery contact our certified distributor in brazil aiag

treinamento cep controle estatístico do processos base manual cep - Jan 08 2023

web criacorp desenvolvimento empresarial 35 subscribers subscribe 2 6k views 8 years ago capacitar os participantes na correta aplicação do conceito estatístico de monitoramento de processo e

msa measurement system analysis aiag - Oct 05 2022

web achieve certification msa certification exam certification by aiag in msa verifies an individual s proficiency in measurement systems analysis techniques as defined in the msa reference manual program management quality team 248

358 3570

automotive quality publications aiag - Apr 11 2023

web the aiag vda fmea handbook is the new automotive industry reference manual for failure mode and effects analysis it will be used as a guide to assist suppliers in developing design fmea process fmea and supplemental fmea

home international agricultural group - Jan 28 2022

web international agricultural group is a family company that is active in research production and marketing of vegetable seeds both in turkey and worldwide our new catalogue contains some popular varieties that are still very much in demand and new material that is the result of serious market study and research turkey is the country of

cep controle estatístico de processo 2a edição target q - Feb 09 2023

web r 169 90 r 135 00 curso cep controle estatístico do processo de acordo com a segunda edição do manual do aiag habilite se como um profissional capaz de gerenciar e conduzir estudos estatísticos de processo que são mandatórios e essenciais para a gestão da qualidade automotiva

oag - Feb 26 2022

web kurumsal 1953 ten bu yana elektrik malzemesi ihtiyaçlarınızda en hızlı ve en kaliteli çözümleri sizlerle paylaşabilmek amacıyla sektördeki yenilikleri ve teknolojik gelişmeleri titizlikle takip etmeyi ilke edindik

aiag cep manual klantenhandboek dutchgiraffe com - Dec 27 2021

web aiag cep manual the enigmatic realm of aiag cep manual unleashing the language is inner magic in a fast paced digital era where connections and knowledge intertwine the enigmatic realm of language reveals its inherent magic its capacity to stir emotions ignite contemplation and catalyze profound transformations is nothing lacking

distribuidor de manuais aiag interaction plexus treinamento - Aug 15 2023

web publicações e manuais distribuidor de manuais aiag empresas associadas na aiag tem descontos nos manuais a interaction plexus oferece a você a opção de adquirir as publicações e manuais de acordo com a sua necessidade podendo ser documento físico ou documento eletrônico

cep 2ª edição controle estatístico do processo - May 12 2023

web programa global de participação patrocinada da aiag cep 2ª edição controle estatístico do processo a melhoria contínua é vital para prosperar na economia atual

manual cep aiag peatix - Aug 03 2022

web see more results read free aiag cep manual aiag cep manual the ultimate collection of quality manuals is found in the iatf 16949 7 pack which includes all five core tool manuals plus the latest editions of iatf 16949 and iatf 16949 rules for certification download aiag cep manual c4everyone the points of apqp manual subhead 4

controle estatístico do processo cep segunda edição pdf - Dec 07 2022

web a intengao da forga tarefa da asqc aiag é padronizar os manuais de referência formulários para relatórios nomenclatura técnica usados pela chrysler ford e general motors em seus respectivos sistemas de avaliatio do fomedor garantia de qualidade do fornecedor

automotive core tools apqp ppap fmea msa aiag - Mar 10 2023

web the automotive quality core tools are the building blocks of an effective quality management system they include advanced product quality planning control plan apqp production part approval process ppap failure mode and effects analysis fmea statistical process control spc and measurement system analysis msa

cep última edição do manual do aiag sgs brazil - Jul 14 2023

web oct 21 2019 cep última edição do manual do aiag da sgs aprenda as últimastécnicas decontrole estatístico do processo alinhado com a última edição do manual aiag cep é uma ferramenta de processos estatísticos que lhe ajudará a garantir a qualidade estabilidade e melhoria contínua na indústria automotiva no brasil nosso

stanisław ignacy witkiewicz wikipedia - Aug 03 2022

web september 1939 in jeziory polen war ein polnischer schriftsteller maler fotograf und philosoph inhaltsverzeichnis 1 geschichte 2 rezeption 3 ausstellungen 4 gemälde 5 philosophische und wissenschaftliche werke 6 literarische werke 7 verfilmungen 8 stanislaw ignacy witkiewicz preis 9 verweise 9 1 weblinks 9 2 einzelnachweise

stanisław ignacy witkiewicz 14 artworks painting wikiart org - Nov 06 2022

web stanisław ignacy witkiewicz polish sta'niswaf ig'nat si vit'k'evit § 24 february 1885 18 september 1939 commonly known as witkacy was a polish writer painter philosopher playwright novelist and photographer active in the interwar period

stanisław ignacy witkiewicz krakowski dom aukcyjny - Jul 02 2022

web stanisław ignacy witkiewicz witkacy 1885 1939 krakowski dom aukcyjny biografia artysty malarstwo pastele obrazy portrety galeria sztuki aukcje

exhibition of paintings and drawings by stanisław ignacy witkiewicz - May 12 2023

web malarstwo i rysunek 1957 exh cat warsaw centralne biuro wystaw artystycznych 1967 pp 5 10 dragan michalina wariacje na temat witkacego dziennik bałtycki no 250 1967 p 4 florczak zbigniew firma witkacy polityka no 44 1967 p 6 garztecka ewa witkacy malarz trybuna ludu no 288 1967 p 8

stanisław ignacy witkiewicz wikipedia - Jun 13 2023

web stanisław ignacy witkiewicz polish sta'niswaf ig'natsi v'it'k'ev'its § 24 february 1885 18 september 1939 commonly known as witkacy was a polish writer painter philosopher theorist playwright novelist and photographer active before world war i and during the interwar period

witkacy malarstwo youtube - Jun 01 2022

web witkacy malarstwo 1 098 views apr 26 2014 11 dislike share piotr wójcicki 33 subscribers mój slideshow witkacy malarstwo prezentuje dzieła mojego ulubionego artysty tłem muzycznym jest

wikiproject sum of all paintings catalog witkacy malarstwo - Jan 08 2023

web group portrait tadeusz langier witkacy bronisława włodarska litauerowa q106589334 pl portret zbiorowy tadeusz langier witkacy bronisława włodarska litauerowa 59 i 2140 1938 05 s 3107 mt pastel paper 77 100 self portrait q106833063 pl autoportret 21 1918 pastel paper charcoal 63 3 47 5 erotic composition q106833082

witkacy boszart malarstwo painting series hardcover - Mar 30 2022

web witkacy boszart malarstwo painting series stanisław ignacy witkiewicz aka witkacy anna Żakiewicz amazon sg books

witkacy malarz i rysownik artykuł culture pl - Sep 16 2023

web witkacy malarz i rysownik stanisław ignacy witkiewicz to nie tylko pisarz i dramaturg ale także członek pierwszej polskiej grupy awangardowej formistów autor estetycznej teorii czystej formy i twórca firmy portretowej syn wybitnego krytyka sztuki malarza twórcy stylu zakopiańskiego w architekturze i sztukach zdobniczych

witkacy malarstwo witkiewicz stanisław ignacy 1885 1939 - Jul 14 2023

web witkacy malarstwo bookreader item preview 1885 1939 dzieła malarstwo witkiewicz stanisław ignacy 1885 1939 dzieła rysunek publisher olszanica bosz collection inlibrary printdisabled internetarchivebooks contributor internet archive language polish english

witkacy malarstwo hardcover 29 december 2020 - Apr 30 2022

web witkacy malarstwo stanisław ignacy witkiewicz aka witkacy anna Żakiewicz jakub kinel on amazon com au free shipping on eligible orders witkacy malarstwo

stanisław ignacy witkiewicz witkacy biography culture pl - Apr 11 2023

web witkacy was torn from his deep depression by the proposal from bronisław malinowski who offered that he take part in a scientific expedition to papua new guinea witkacy was supposed to take part in it as a photographer and illustrator in order to document subsequent phases of the research

witkacy malarstwo painting anna Żakiewicz lubimy czytać - Dec 07 2022

web stanisław ignacy witkiewicz zwany witkacym 1885 1939 był nie tylko malarzem także filozofem pisarzem dramaturgiem teoretykiem sztuki fotografem w każdej z tych dziedzin osiągnął mistrzostwo i w każdej z nich nieustannie zaskakiwał

stanisław ignacy witkiewicz wikipedia wolna encyklopedia - Oct 17 2023

web stanisław ignacy witkiewicz pseud artystyczny witkacy ur 24 lutego 1885 w warszawie zm 18 września 1939 w jeziorach polski pisarz malarz filozof dramaturg i fotografik

witkacy the scandalising portrait artist article culture pl - Mar 10 2023

web nov 26 2019 in this article culture pl focuses on his extensive practice of painted portraits which produced thousands of intriguing pieces many of them were created under the influence of various narcotics giving rise to the scandalising legend

witkacy portrecista pokątny niezła sztuka - Aug 15 2023

web sep 18 2017 pędzel i obiektyw ku niezmiernej radości ojca młody witkacy nie rozstaje się z pędzlem swojej siostrze marii stanisław witkiewicz z dumą donosi o synu on jest malarz i dobry ma zamiłowanie i konieczną potrzebę piętnastoletni staś przeżywa także fascynację fotografią która szybko stała się dla niego ważnym tworzywem

witkacy boszart - Oct 05 2022

web stanisław ignacy witkiewicz znany pod pseudonimem artystycznym jako witkacy to żyjący i tworzący w latach 1885 1939 polski malarz pisarz filozof dramaturg i fotografik jego działalność znana głównie ze sztuki inspirowanej romantyzmem i symbolizmem odcisnęła silne piętno na polskiej sztuce w drugiej połowie dziewiętnastego i

witkacy malarstwo painting by anna Żakiewicz goodreads - Sep 04 2022

web witkacy malarstwo painting book read reviews from world s largest community for readers stanisław ignacy witkiewicz zwany witkacym 1885 1939 był n

file witkacy portret kobiety 1925 544 jpg - Feb 26 2022

web nov 25 2022 from onebid pl pl malarstwo dawne stanisław ignacy witkiewicz 1885 warszawa 1939 jeziora na polesiu portret kobiety 1925 r 1130336 02 56 16 september 2021 372 500 40 kb jarekt talk contribs

[file witkacy malarz 10 jpg wikimedia commons](#) - Feb 09 2023

web aug 26 2022 the following 3 pages use this file witkacy sejsmograf epoki przyspieszenia user jarekt b file witkacy malarz 10 jpg file usage on other wikis the following other wikis use this file metadata