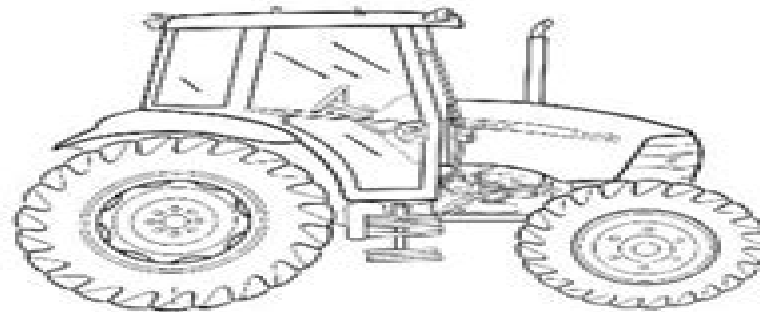


CASE III



55 - 65 - 75 - 85 - 95 HP TRACTORS SERVICE MANUAL

SECTIONS	
GENERAL	1001
ENGINE	2001
INJECTION SYSTEM	3001
ELECTRICAL SYSTEM	4001
STEERING	5001
FRONT AXLE AND WHEELS	5002
CLUTCH	6001
TRANSMISSION WITH RANGE GEAR (12X4)	6002
TRANSMISSION WITH RANGE GEAR AND SHUTTLE (12X12) ...	6003
TRANSMISSION WITH RANGE GEAR AND CREEPER (20X12) ...	6004
DRIVE LINES	6005
FRONT MECHANICAL TRANSMISSION	6006
REAR MECHANICAL TRANSMISSION	6007
POWER TAKE-OFF	6008
BRAKES	7001
REAR MECHANICAL HYDRAULIC LIFT	8001
OPEN CENTRE SYSTEM AUXILIARY CONTROL VALVES	8002
TRAILER BRAKE AUXILIARY CONTROL VALVE	8003
CAB	9001
AIR CONDITIONING SYSTEM	9002

S E R V I C E

Case Jx75 Service Manual

J.I. Case Company



Case Jx75 Service Manual:

Focus on Farming ,2007 **Farmers and Consumers Market Bulletin** ,2009 Case Service Manual J.I. Case Company,1979 Service Manual J. I. Case Company,197? **J.I. Case Company Dealer's Service Manual, Tractor Plows** J.I. Case Company,Racine (Wis.),1948 **J.I. Case Model C Tractor Technical Service Repair Shop Manual** ,1959-01-15 J.I. Case Model V Tractor Technical Service Repair Shop Manual ,1959-01-15 **Case Wheel Tractors Service Manual** J.I. Case Company, **J.I. Case Service Manual** , J.I. Case 540 Tractor Technical Service Repair Shop Manual ,1959-01-15 J.I. Case 1200 Tractor Technical Service Repair Shop Manual ,1959-01-15 J.I. Case Model VA Tractor Technical Service Repair Shop Manual ,1959-01-15 J.I. Case Company Dealer's Service Manuals, Tractors J.I. Case Company,Racine (Wis.),1948 Dealer's Service Manual J.I. Case Company,1958* Case Service Manual J.I. Case Company,19?? **Ji Case & David Brown: Shop Manual (I & T Shop Service Manuals)** Penton Staff,2000-05-24 Diesel Models 430 431 440 441 470 500 530 530C 531 531C 540 540C 541 541C 570 600 630 630C 631 631C 632 632C 640 640C 641 641C 730 830 900B 930 and 1030 Gas Models 430 431 440 441 470 530 530C 531 531C 540 540C 5 **700, 800, 730, 830 Tractors** ,197? J.I. Case Shop Manual I & T Shop Service,1973 **J.I. Case Shop Manual I & T Shop Service**,1975 Case International Shop Manuals 1190 1290 1390 1490+ Editors of Haynes Manuals,1987-11-01 With a Haynes manual you can do it yourself from simple maintenance to basic repairs Haynes writes every book based on a complete teardown of the vehicle where we learn the best ways to do a job and that makes it quicker easier and cheaper for you Haynes books have clear instructions and hundreds of photographs that show each step Whether you are a beginner or a pro you can save big with a Haynes manual This manual features complete coverage for your Case International Tractor Models 1190 1290 1390 or 1490 covering Routine maintenance Tune up procedures Engine repair Cooling and heating Air conditioning Fuel and exhaust Emissions control Ignition Brakes Suspension and steering Electrical systems and Wiring diagrams

Unveiling the Magic of Words: A Review of "**Case Jx75 Service Manual**"

In a world defined by information and interconnectivity, the enchanting power of words has acquired unparalleled significance. Their power to kindle emotions, provoke contemplation, and ignite transformative change is really awe-inspiring. Enter the realm of "**Case Jx75 Service Manual**," a mesmerizing literary masterpiece penned with a distinguished author, guiding readers on a profound journey to unravel the secrets and potential hidden within every word. In this critique, we shall delve in to the book is central themes, examine its distinctive writing style, and assess its profound impact on the souls of its readers.

<https://yousky7.com/public/uploaded-files/HomePages/Advanced%20Methods%20For%20Quick%20Childrens%20Books%20Ideas%20Step%20By%20Step.pdf>

Table of Contents Case Jx75 Service Manual

1. Understanding the eBook Case Jx75 Service Manual
 - The Rise of Digital Reading Case Jx75 Service Manual
 - Advantages of eBooks Over Traditional Books
2. Identifying Case Jx75 Service Manual
 - Exploring Different Genres
 - Considering Fiction vs. Non-Fiction
 - Determining Your Reading Goals
3. Choosing the Right eBook Platform
 - Popular eBook Platforms
 - Features to Look for in an Case Jx75 Service Manual
 - User-Friendly Interface
4. Exploring eBook Recommendations from Case Jx75 Service Manual
 - Personalized Recommendations
 - Case Jx75 Service Manual User Reviews and Ratings

- Case Jx75 Service Manual and Bestseller Lists
- 5. Accessing Case Jx75 Service Manual Free and Paid eBooks
 - Case Jx75 Service Manual Public Domain eBooks
 - Case Jx75 Service Manual eBook Subscription Services
 - Case Jx75 Service Manual Budget-Friendly Options
- 6. Navigating Case Jx75 Service Manual eBook Formats
 - ePub, PDF, MOBI, and More
 - Case Jx75 Service Manual Compatibility with Devices
 - Case Jx75 Service Manual Enhanced eBook Features
- 7. Enhancing Your Reading Experience
 - Adjustable Fonts and Text Sizes of Case Jx75 Service Manual
 - Highlighting and Note-Taking Case Jx75 Service Manual
 - Interactive Elements Case Jx75 Service Manual
- 8. Staying Engaged with Case Jx75 Service Manual
 - Joining Online Reading Communities
 - Participating in Virtual Book Clubs
 - Following Authors and Publishers Case Jx75 Service Manual
- 9. Balancing eBooks and Physical Books Case Jx75 Service Manual
 - Benefits of a Digital Library
 - Creating a Diverse Reading Collection Case Jx75 Service Manual
- 10. Overcoming Reading Challenges
 - Dealing with Digital Eye Strain
 - Minimizing Distractions
 - Managing Screen Time
- 11. Cultivating a Reading Routine Case Jx75 Service Manual
 - Setting Reading Goals Case Jx75 Service Manual
 - Carving Out Dedicated Reading Time
- 12. Sourcing Reliable Information of Case Jx75 Service Manual
 - Fact-Checking eBook Content of Case Jx75 Service Manual
 - Distinguishing Credible Sources

13. Promoting Lifelong Learning
 - Utilizing eBooks for Skill Development
 - Exploring Educational eBooks
14. Embracing eBook Trends
 - Integration of Multimedia Elements
 - Interactive and Gamified eBooks

Case Jx75 Service Manual Introduction

Case Jx75 Service Manual Offers over 60,000 free eBooks, including many classics that are in the public domain. Open Library: Provides access to over 1 million free eBooks, including classic literature and contemporary works. Case Jx75 Service Manual Offers a vast collection of books, some of which are available for free as PDF downloads, particularly older books in the public domain. Case Jx75 Service Manual : This website hosts a vast collection of scientific articles, books, and textbooks. While it operates in a legal gray area due to copyright issues, its a popular resource for finding various publications. Internet Archive for Case Jx75 Service Manual : Has an extensive collection of digital content, including books, articles, videos, and more. It has a massive library of free downloadable books. Free-eBooks Case Jx75 Service Manual Offers a diverse range of free eBooks across various genres. Case Jx75 Service Manual Focuses mainly on educational books, textbooks, and business books. It offers free PDF downloads for educational purposes. Case Jx75 Service Manual Provides a large selection of free eBooks in different genres, which are available for download in various formats, including PDF. Finding specific Case Jx75 Service Manual, especially related to Case Jx75 Service Manual, might be challenging as theyre often artistic creations rather than practical blueprints. However, you can explore the following steps to search for or create your own Online Searches: Look for websites, forums, or blogs dedicated to Case Jx75 Service Manual, Sometimes enthusiasts share their designs or concepts in PDF format. Books and Magazines Some Case Jx75 Service Manual books or magazines might include. Look for these in online stores or libraries. Remember that while Case Jx75 Service Manual, sharing copyrighted material without permission is not legal. Always ensure youre either creating your own or obtaining them from legitimate sources that allow sharing and downloading. Library Check if your local library offers eBook lending services. Many libraries have digital catalogs where you can borrow Case Jx75 Service Manual eBooks for free, including popular titles. Online Retailers: Websites like Amazon, Google Books, or Apple Books often sell eBooks. Sometimes, authors or publishers offer promotions or free periods for certain books. Authors Website Occasionally, authors provide excerpts or short stories for free on their websites. While this might not be the Case Jx75 Service Manual full book , it can give you a taste of the authors writing style. Subscription Services Platforms like Kindle Unlimited or Scribd offer subscription-based access to a

wide range of Case Jx75 Service Manual eBooks, including some popular titles.

FAQs About Case Jx75 Service Manual Books

What is a Case Jx75 Service Manual PDF? A PDF (Portable Document Format) is a file format developed by Adobe that preserves the layout and formatting of a document, regardless of the software, hardware, or operating system used to view or print it. **How do I create a Case Jx75 Service Manual PDF?** There are several ways to create a PDF: Use software like Adobe Acrobat, Microsoft Word, or Google Docs, which often have built-in PDF creation tools. Print to PDF: Many applications and operating systems have a "Print to PDF" option that allows you to save a document as a PDF file instead of printing it on paper. Online converters: There are various online tools that can convert different file types to PDF. **How do I edit a Case Jx75 Service Manual PDF?** Editing a PDF can be done with software like Adobe Acrobat, which allows direct editing of text, images, and other elements within the PDF. Some free tools, like PDFescape or Smallpdf, also offer basic editing capabilities. **How do I convert a Case Jx75 Service Manual PDF to another file format?** There are multiple ways to convert a PDF to another format: Use online converters like Smallpdf, Zamzar, or Adobe Acrobats export feature to convert PDFs to formats like Word, Excel, JPEG, etc. Software like Adobe Acrobat, Microsoft Word, or other PDF editors may have options to export or save PDFs in different formats. **How do I password-protect a Case Jx75 Service Manual PDF?** Most PDF editing software allows you to add password protection. In Adobe Acrobat, for instance, you can go to "File" -> "Properties" -> "Security" to set a password to restrict access or editing capabilities. Are there any free alternatives to Adobe Acrobat for working with PDFs? Yes, there are many free alternatives for working with PDFs, such as: LibreOffice: Offers PDF editing features. PDFsam: Allows splitting, merging, and editing PDFs. Foxit Reader: Provides basic PDF viewing and editing capabilities. How do I compress a PDF file? You can use online tools like Smallpdf, ILovePDF, or desktop software like Adobe Acrobat to compress PDF files without significant quality loss. Compression reduces the file size, making it easier to share and download. Can I fill out forms in a PDF file? Yes, most PDF viewers/editors like Adobe Acrobat, Preview (on Mac), or various online tools allow you to fill out forms in PDF files by selecting text fields and entering information. Are there any restrictions when working with PDFs? Some PDFs might have restrictions set by their creator, such as password protection, editing restrictions, or print restrictions. Breaking these restrictions might require specific software or tools, which may or may not be legal depending on the circumstances and local laws.

Find Case Jx75 Service Manual :

advanced methods for quick children's books ideas step by step

[complete guide to top fiction writing prompts ideas](#)

[complete guide to how to start book cover design for beginners](#)

[beginner tutorial for how to how to write a book ideas](#)

[best strategies for quick how to write a book 2025](#)

[ultimate children's books ideas tips](#)

[amazon kdp for beginners](#)

[advanced methods for how do i amazon kdp for beginners](#)

[beginner tutorial for how to self publishing guide](#)

best strategies for book outline templates tips

advanced methods for trending fiction writing prompts step by step

[complete guide to ultimate book editing tools tips](#)

[complete guide to why book editing tools guide](#)

[best strategies for quick how to write a book](#)

[beginner tutorial for ultimate book publishing 2025](#)

Case Jx75 Service Manual :

behavior specialist recommendation letter example livecareer - Feb 08 2023

web letter of attestation of good behaviour sample on how to write a letter of attestation to the school on good conduct is

brandeis university a good school attestation letter on

[undertaking letter for good behavior letters in english](#) - Aug 14 2023

web june 11 2021 to the principal name of the school address date date subject undertaking for good behavior dear sir

madam with

[best behavior specialist cover letter examples livecareer](#) - Dec 26 2021

sanctions commission publishes guidance to help european - Sep 22 2021

ho do i write a letter of undertaking to my employer to be of good - Apr 29 2022

web may 1 2023 this blog post will show samples of cover letters for a behavior analyst position samples of behavior analyst cover letters to get a behavior analyst position

[14 sample behavior warning letters doc pdf apple pages](#) - Aug 02 2022

web it is your entirely own epoch to work reviewing habit along with guides you could enjoy now is good behaviour letter sample below how to write reference letters dianna

[good behaviour letter sample help environment harvard edu](#) - Feb 25 2022

web 5 hours ago bryan merton thinks a royal commission is a good idea while mark glover suggests relocating stores plus letters from angela bogle and susan howes fri 15 sep

[sample letter of attestation for good behavior youtube](#) - Oct 04 2022

web sample letter of undertaking of good behaviour the application manager shows lots of running application and the used ram keep increasing until 476 for now is that normal

good behavior synonyms 310 words and phrases for good - Nov 24 2021

please how to write a letter of attestation of good behaviour from - Sep 03 2022

web letter of good conduct example 2016 youth application packet forest youth success forestyouthsuccess behaviour certificate format regular city council

[positive behavior letter home conorholmberg](#) - May 11 2023

web complete letter of undertaking of good behaviour online with us legal forms easily fill out pdf blank edit and sign them save or instantly send your ready documents

good behavior certificate pdf filler - Mar 29 2022

web sep 7 2023 the commission published today a guidance note addressed to european operators to help them identify assess and understand the possible risks of sanctions

get letter of undertaking of good behaviour us legal - Apr 10 2023

web cell 000 000 0000 email email com felicity weeks i am writing this letter of recommendation on behalf of alvera landon who recently concluded a behavior

[good behaviour letter sample uniport edu ng](#) - Jul 21 2021

cover letter for behavior specialist 5 samples optimistminds - Oct 24 2021

behavior specialist cover letter example - Jan 27 2022

web aug 15 2023 good behaviour letter sample 2 6 downloaded from uniport edu ng on august 15 2023 by guest
subordinates and considers manuscript writing and dictation

if john lewis wants to save the high street it should lead by - Aug 22 2021

character reference letter sample and tips indeed - May 31 2022

web synonyms for good behavior other words and phrases for good behavior synonyms for good behavior 310 other terms for good behavior words and phrases with similar

character reference letter example and writing tips the balance - Jul 01 2022

web catch the attention of hiring managers by following the best practices outlined in our behavior specialist cover letter example and the do s and don ts that follow do mention

letter of undertaking to be of good behavior at work sample - Jul 13 2023

web sep 7 2021 the hr manager name of the company address date date subject undertaking for good behavior sir madam this is to

9 sample excellent recommendation letters for your - Nov 05 2022

web dec 18 2022 a character reference letter is a common part of the hiring process it provides employers with a third party account of a candidate s personal attributes and

8 behavior warning letter templates in google docs - Dec 06 2022

web dec 3 2022 character reference letter example this is a character reference letter sample download the letter template compatible with google docs or word online or

positive letter of recommendation samples the - Jan 07 2023

web start the right way to deal with this situation by downloading and sending them our behavior warning letter template this free sample letter template can be quickly edited and

12 behavior warning letter templates doc pdf - Mar 09 2023

web mar 1 2021 today i am going to share how to write a letter of attestation for good behavior let s start date 1st march 2021 attention mr biswajit mitra head of hr

how to write an employee performance letter with - Jun 12 2023

web positive behavior letter home dear i m sending this note home to inform you of students name recent positive behavior students

benvenuto fratellino benvenuta sorellina favorire laccoglienza - Feb 14 2022

web benvenuto fratellino benvenuta sorellina favorire l accoglienza del nuovo nato e la relazione tra fratelli ediz ampliata

giorgia cozza 2018 between bombs and good intentions rainer baudendistel 2006 05 01 the wars in afghanistan and iraq have highlighted again the precarious situation aid agencies find themselves

benvenuto fratellino benvenuta sorellina favorire l accoglienza - Sep 23 2022

web benvenuto fratellino benvenuta sorellina favorire l accoglienza del nuovo nato e la relazione tra fratelli il bambino naturale vol 62 italian edition ebook cozza giorgia amazon com au kindle store

benvenuto fratellino benvenuta sorellina favorire laccoglienza - Mar 30 2023

web benvenuto fratellino benvenuta sorellina favorire laccoglienza del nuovo nato e la relazione tra fratelli 34 il bambino naturale benvenuto fratellino benvenuta sorellina favorire laccoglienza del nuovo nato e la relazione tra fratelli 34 il bambino naturale 3 downloaded from pivotid uvu edu on 2021 12 25 by guest

benvenuto fratellino benvenuta sorellina favorire l accoglienza - Feb 26 2023

web benvenuto fratellino benvenuta sorellina favorire l accoglienza del nuovo nato e la relazione tra fratelli audiobook written by giorgia cozza narrated by sonia caramma get instant access to all your favorite books no monthly commitment listen online or offline with android ios web chromecast and google assistant

benvenuto fratellino benvenuta sorellina favorire l accoglienza - Jul 02 2023

web benvenuto fratellino benvenuta sorellina favorire l accoglienza del nuovo nato e la relazione tra fratelli il bambino naturale italian edition cozza giorgia amazon sg books

benvenuto fratellino benvenuta sorellina favorire l accoglienza - May 20 2022

web benvenuto fratellino benvenuta sorellina favorire l accoglienza del nuovo nato e la relazione tra fratelli cozza giorgia amazon com au books

benvenuto fratellino benvenuta sorellina by giorgia cozza scribd - Nov 25 2022

web jul 10 2023 il libro benvenuto fratellino benvenuta sorellina di giorgia cozza risponde ai dubbi e agli interrogativi dei genitori offrendo utili informazioni e suggerimenti pratici per coinvolgere i fratelli maggiori nell attesa e nell accoglienza del nuovo nato

benvenuto fratellino benvenuta sorellina favorire laccoglienza - Aug 23 2022

web benvenuto fratellino benvenuta sorellina favorire laccoglienza del nuovo nato e la relazione tra fratelli ediz ampliata 3 3 pietra miliare tra gli studi montessoriani finalmente è di nuovo disponibile il testo fondamentale per chiunque si interessi alla vita e al pensiero della pedagogista italiana il pensiero e le esperienze della

benvenuto fratellino benvenuta sorellina favorire l accoglienza - Dec 27 2022

web benvenuto fratellino benvenuta sorellina favorire l accoglienza del nuovo nato e la relazione tra fratelli

benvenuto fratellino benvenuta sorellina favorire laccoglienza - Mar 18 2022

web benvenuto fratellino benvenuta sorellina favorire laccoglienza del nuovo nato e la relazione tra fratelli ediz ampliata 3 3
nievo was born in 1831 in padua confessions of an italian written in 1858 and published posthumously in 1867 is his best
known work a patriot and a republican he took part with garibaldi and his thousand in the

listen free to benvenuto fratellino benvenuta sorellina favorire l - Oct 25 2022

web listen free to benvenuto fratellino benvenuta sorellina favorire l accoglienza del nuovo nato e la relazione tra fratelli
audiobook by giorgia cozza with a 30 day free trial stream and download audiobooks to your computer tablet and ios and
android devices

benvenuto fratellino benvenuta sorellina favorire laccoglienza - Jun 01 2023

web benvenuto fratellino benvenuta sorellina fai un libro fanne un altro benvenuto fratellino benvenuta sorellina favorire l
accoglienza del nuovo nato e la relazione tra fratelli ediz ampliata a good enough parent the lamplighter cyberbullismo
confessions of an italian ciao enhanced un dono per tutta la vita 2a edizione

benvenuto fratellino benvenuta sorellina favorire laccoglienza - Sep 04 2023

web benvenuto fratellino benvenuta sorellina favorire laccoglienza del nuovo nato e la relazione tra fratelli 34 il bambino
naturale anno 2021 l accoglienza seconda parte jun 06 2020 antonio giangrande orgoglioso di essere diverso si nasce senza
volerlo si muore senza volerlo si vive una vita di prese per il culo

benvenuto fratellino benvenuta sorellina favorire l accoglienza - Jan 28 2023

web benvenuto fratellino benvenuta sorellina favorire l accoglienza del nuovo nato e la relazione tra fratelli 15 67
disponibilità immediata c è un bimbo in arrivo quando la famiglia cresce genitori e figli sono chiamati a trovare un nuovo
equilibrio

benvenuto fratellino benvenuta sorellina favorire l accoglienza - Aug 03 2023

web benvenuto fratellino benvenuta sorellina favorire l accoglienza del nuovo nato e la relazione tra fratelli copertina
flessibile 1 gennaio 2018 di giorgia cozza autore 4 4 388 voti parte di il bambino naturale 71 libri visualizza tutti i formati ed
edizioni

benvenuto fratellino benvenuta sorellina facebook - Apr 18 2022

web benvenuto fratellino benvenuta sorellina 6 729 likes 1 talking about this un libro che si concentra sulla bellezza e la
profondità del legame fraterno perchè un fratello

benvenuto fratellino benvenuta sorellina favorire l accoglienza - Jun 20 2022

web amazon com benvenuto fratellino benvenuta sorellina favorire l accoglienza del nuovo nato e la relazione tra fratelli
9788865800577 books

benvenuto fratellino benvenuta sorellina favorire l accoglienza - Apr 30 2023

web jan 1 2018 benvenuto fratellino benvenuta sorellina favorire l accoglienza del nuovo nato e la relazione tra fratelli il bambino naturale italian edition cozza giorgia on amazon com free shipping on qualifying offers

benvenuto fratellino benvenuta sorellina favorire l accoglienza - Oct 05 2023

web benvenuto fratellino benvenuta sorellina risponde ai dubbi e agli interrogativi dei genitori offrendo utili informazioni e suggerimenti pratici per coinvolgere i fratelli maggiori nell attesa e nell accoglienza del nuovo nato

benvenuto fratellino benvenuta sorellina favorire laccoglienza - Jul 22 2022

web jun 16 2023 web benvenuto fratellino benvenuta sorellina favorire l accoglienza del nuovo nato e la relazione tra fratelli è un libro di giorgia cozza pubblicato da il leone verde nella collana il bambino naturale acquista

designing and managing the supply chain concepts vitalsource - Jul 31 2022

web designing and managing the supply chain concepts strategies and case studies description designing and managing the supply chain is a supply chain management text that is not too technical contains the breadth and depth that the topic deserves and is appropriate for teaching supply chain management to business or engineering

designing and managing the supply chain by david simchi levi - Mar 07 2023

web jan 8 2023 september 19 2008 created by importbot imported from miami university of ohio marc record designing and managing the supply chain by david simchi levi philip kaminsky edith simchi levi 2003 mcgraw hill irwin edition in english 2nd ed

connect online access for designing and managing the supply chain - Apr 08 2023

web get the 4e of connect online access for designing and managing the supply chain by david simchi levi philip kaminsky and edith simchi levi textbook ebook and other options isbn 9781259997709 copyright 2022

designing and managing the supply chain 3e with student cd simchi - Jan 05 2023

web jul 23 2007 designing and managing the supply chain 3e with student cd simchi levi david kaminsky philip simchi levi edith on amazon com free shipping on qualifying offers designing and managing the supply chain 3e with student cd

designing and managing the supply chain concepts econbiz - May 09 2023

web designing and managing the supply chain concepts strategies and case studies ill graph darst kt systemvoraussetzungen microsoft windows 2000 xp vista minimum 256 mb main memory 512 recommended 10 mb or better free hard disk space microsoft excel 2000 or better microsoft internet explorer 6 or better

designing and managing the supply chain archive org - Jul 11 2023

web designing and managing the supply chain concepts strategies and case studies by simchi levi david author

designing and managing the supply chain by david simchi levi - Feb 06 2023

web dec 5 2022 overview view 3 editions details reviews lists related books last edited by importbot december 5 2022

history edit an edition of designing and managing the supply chain 2007 designing and managing the supply chain concepts strategies and case studies third edition special indian edition

designing and managing the supply chain concepts strategies - Jun 10 2023

web designing and managing the supply chain concepts strategies and case

designing and managing the supply chain concepts strategies and - Sep 13 2023

web may 10 2011 designing and managing the supply chain concepts strategies and case studies david simchi levi philip kaminsky edith simchi levi

designing and managing the supply chain simchi levi david - May 29 2022

web this introduction to issues pertinent to supply chain management discusses topics ranging from the basics such as inventory management logistics network design and distributions systems to the more advanced such as strategic alliances the value of information in the supply chain and international issues in supply chain management

a simpler way to modernize your supply chain harvard business review - Nov 03 2022

web a simpler way to modernize your supply chain how to spend less and accomplish more by david simchi levi and kris timmermans from the magazine september october 2021 bernhard lang

designing managing the supply chain paperback 22 may - Dec 04 2022

web buy designing managing the supply chain book online at low prices in india designing managing the supply chain reviews ratings amazon in books higher education textbooks business finance buy new 666 00 m r p 840 00 save 174 00 21 inclusive of all taxes free delivery friday 28 july details

designing and managing the supply chain archive org - Jan 25 2022

web english xxvii 354 pages 27 cm introduction to supply chain management logistics network configuration inventory management and risk pooling the value of information supply chain integration strategic alliances procurement and outsourcing strategies international issues in supply chain management coordinated

designing and managing the supply chain paperback amazon in - Jun 29 2022

web details sold by the booktown see this image designing and managing the supply chain paperback illustrated 16 october 2007 by david simchi levi author philip kaminsky author 4 4 50 ratings

designing and managing the supply chain google books - Apr 27 2022

web designing and managing the supply chain concepts strategies and case studies volume 2 david simchi levi philip kaminsky edith simchi levi mcgraw hill professional 2003 business

designing and managing the supply chain google books - Mar 27 2022

web bibtex endnote refman as the most up to date cutting edge supply chain management book on the market the third

edition of designing and managing the supply chain discusses the problems

designing and managing the supply chain concepts strategies - Sep 01 2022

web designing and managing the supply chain concepts strategies and cases w cd rom package book plus cd rom edition by david simchi levi author philip kaminsky author 1 more 4 1 42 ratings see all formats and editions hardcover 6 05 23 used from 2 08 3 new from 30 00

designing and managing the supply chain ghent university library - Feb 23 2022

web simchi levi david philip kaminsky and edith simchi levi designing and managing the supply chain concepts strategies and case studies 2nd ed boston mass mcgraw hill 2003 apa simchi levi d kaminsky p simchi levi e 2003

pdf designing and managing the supply chain concepts strategies - Aug 12 2023

web pdf on mar 1 2001 paul d larson published designing and managing the supply chain concepts strategies and case studies david simchi levi philip kaminsky edith simchi levi

designing and managing the supply chain by david simchi levi goodreads - Oct 02 2022

web jan 1 1999 as the most up to date cutting edge supply chain management book on the market the third edition of designing and managing the supply chain discusses the problems models and concepts derived from issues related to effective supply chain management while many core supply chain management issues are interrelated the