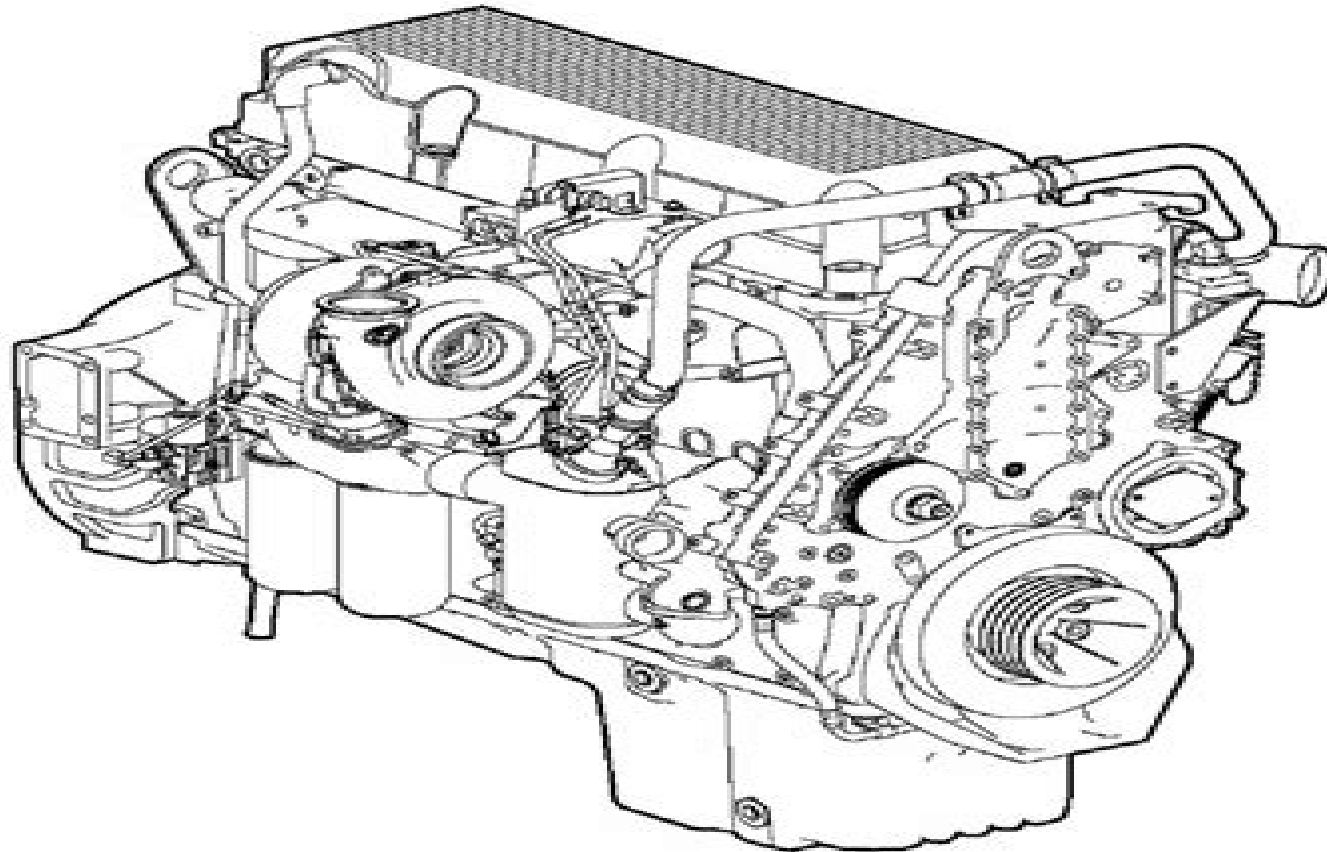


DETROIT DIESEL

Series 60



Engine Operator's Guide

Detroit 60 Engine Wiring Loom

N Colangelo



Detroit 60 Engine Wiring Loom:

, Diesel Engine and Fuel System Repair John F. Dagel, Robert N. Brady, 1998 One of the only texts of its kind to devote chapters to the intricacies of electrical equipment in diesel engine and fuel system repair this cutting edge manual incorporates the latest in diesel engine technology giving students a solid introduction to the technology operation and overhaul of heavy duty diesel engines and their respective fuel and electronics systems

Heavy Vehicle Event Data Recorder Interpretation Christopher D Armstrong, 2018-11-02 The last ten years have seen explosive growth in the technology available to the collision analyst changing the way reconstruction is practiced in fundamental ways The greatest technological advances for the crash reconstruction community have come in the realms of photogrammetry and digital media analysis The widespread use of scanning technology has facilitated the implementation of powerful new tools to digitize forensic data create 3D models and visualize and analyze crash vehicles and environments The introduction of unmanned aerial systems and standardization of crash data recorders to the crash reconstruction community have enhanced the ability of a crash analyst to visualize and model the components of a crash reconstruction Because of the technological changes occurring in the industry many SAE papers have been written to address the validation and use of new tools for collision reconstruction Collision Reconstruction Methodologies Volumes 1 12 bring together seminal SAE technical papers surrounding advancements in the crash reconstruction field Topics featured in the series include Night Vision Study and Photogrammetry Vehicle Event Data Recorders Motorcycle Heavy Vehicle Bicycle and Pedestrian Accident Reconstruction The goal is to provide the latest technologies and methodologies being introduced into collision reconstruction appealing to crash analysts consultants and safety engineers alike

Gearhead at Large Steven Rossi, West Peterson, 2021-08-10 A popular feature in Antique Automobile magazine Steven Rossi's columns open up the world of old cars transporting readers to earlier times from the age of horseless carriages through the evolution of cars and car culture This compilation from a decade's writings draws on a lifetime of knowledge and experience amassed in the antique auto hobby the enthusiast community and the automotive industry to explore topics large and small The selected essays edited and with photographs provided by award winning Antique Automobile editor West Peterson include informative treatments of historical subjects and technical matters whimsical observations important brand and model analyses profiles of compelling personalities and an abundance of fascinating excursions down side roads of the automotive map For the curious think of this collection as a crash course in automotive history For those already immersed in the old car universe it offers fresh insights and an authoritative perspective on topics of lasting interest

Modern Diesel Technology Robert N. Brady, 1996 Through a carefully maintained building block approach this text offers an easy to understand guide to automotive truck and heavy equipment diesel engine technology in a single comprehensive volume Text focus is on state of the art technology as well as on the fundamental principles underlying today's technological advances in service and repair procedures Industry accepted

practices are identified and readers are encouraged to formulate a sound understanding of both the why and the how of modern diesel engines and equipment Thorough up to date treatment of diesel technology encompasses major advancements in the field especially recent developments in the use of electronics in heavy duty trucks off highway equipment and marine applications The text s primary focus is on state of the art electronic fuel injection systems such as those being used by such manufacturers as Caterpillar Cummins Detroit Diesel Volvo and Mack A systematic structured organization helps readers learn step by step beginning with engine systems and working logically through intake exhaust cooling lubrication and fuel injection systems highlighting major changes in today s modern engines

Maintenance Manual for Diesel-electric Generator Sets Models-6016B-C-D-E General Motors Corporation. Detroit Diesel Engine Division,1945 **Electrical Review and Western Electrician** ,1909 **Industrial Engineering** George Worthington,1909 Electrical World ,1928

Western Electrician ,1905 New York Review of the Telegraph and Telephone and Electrical Journal ,1903

Electrical Engineering ,1911 J.A. Berly's Universal Electrical Directory and Advertiser ,1911 The Universal Electrical Directory (J.A. Berly's) ,1911 **Central Station** ,1924 Electrical Installation Record ,1907 Electrical Record and Buyer's Reference ,1907 Annual Report USA Patent Office,1906 American Inventor ,1902 The American Exporter ,1917

This is likewise one of the factors by obtaining the soft documents of this **Detroit 60 Engine Wiring Loom** by online. You might not require more epoch to spend to go to the book instigation as well as search for them. In some cases, you likewise do not discover the notice Detroit 60 Engine Wiring Loom that you are looking for. It will entirely squander the time.

However below, once you visit this web page, it will be fittingly completely easy to get as competently as download guide Detroit 60 Engine Wiring Loom

It will not consent many era as we notify before. You can realize it even though behave something else at house and even in your workplace. consequently easy! So, are you question? Just exercise just what we pay for below as competently as evaluation **Detroit 60 Engine Wiring Loom** what you behind to read!

<https://yousky7.com/files/uploaded-files/default.aspx/Best%20Strategies%20For%20New%20Roth%20Ira%202025.pdf>

Table of Contents Detroit 60 Engine Wiring Loom

1. Understanding the eBook Detroit 60 Engine Wiring Loom
 - The Rise of Digital Reading Detroit 60 Engine Wiring Loom
 - Advantages of eBooks Over Traditional Books
2. Identifying Detroit 60 Engine Wiring Loom
 - Exploring Different Genres
 - Considering Fiction vs. Non-Fiction
 - Determining Your Reading Goals
3. Choosing the Right eBook Platform
 - Popular eBook Platforms
 - Features to Look for in an Detroit 60 Engine Wiring Loom
 - User-Friendly Interface
4. Exploring eBook Recommendations from Detroit 60 Engine Wiring Loom
 - Personalized Recommendations

- Detroit 60 Engine Wiring Loom User Reviews and Ratings
- Detroit 60 Engine Wiring Loom and Bestseller Lists
- 5. Accessing Detroit 60 Engine Wiring Loom Free and Paid eBooks
 - Detroit 60 Engine Wiring Loom Public Domain eBooks
 - Detroit 60 Engine Wiring Loom eBook Subscription Services
 - Detroit 60 Engine Wiring Loom Budget-Friendly Options
- 6. Navigating Detroit 60 Engine Wiring Loom eBook Formats
 - ePub, PDF, MOBI, and More
 - Detroit 60 Engine Wiring Loom Compatibility with Devices
 - Detroit 60 Engine Wiring Loom Enhanced eBook Features
- 7. Enhancing Your Reading Experience
 - Adjustable Fonts and Text Sizes of Detroit 60 Engine Wiring Loom
 - Highlighting and Note-Taking Detroit 60 Engine Wiring Loom
 - Interactive Elements Detroit 60 Engine Wiring Loom
- 8. Staying Engaged with Detroit 60 Engine Wiring Loom
 - Joining Online Reading Communities
 - Participating in Virtual Book Clubs
 - Following Authors and Publishers Detroit 60 Engine Wiring Loom
- 9. Balancing eBooks and Physical Books Detroit 60 Engine Wiring Loom
 - Benefits of a Digital Library
 - Creating a Diverse Reading Collection Detroit 60 Engine Wiring Loom
- 10. Overcoming Reading Challenges
 - Dealing with Digital Eye Strain
 - Minimizing Distractions
 - Managing Screen Time
- 11. Cultivating a Reading Routine Detroit 60 Engine Wiring Loom
 - Setting Reading Goals Detroit 60 Engine Wiring Loom
 - Carving Out Dedicated Reading Time
- 12. Sourcing Reliable Information of Detroit 60 Engine Wiring Loom
 - Fact-Checking eBook Content of Detroit 60 Engine Wiring Loom

- Distinguishing Credible Sources
- 13. Promoting Lifelong Learning
 - Utilizing eBooks for Skill Development
 - Exploring Educational eBooks
- 14. Embracing eBook Trends
 - Integration of Multimedia Elements
 - Interactive and Gamified eBooks

Detroit 60 Engine Wiring Loom Introduction

In the digital age, access to information has become easier than ever before. The ability to download Detroit 60 Engine Wiring Loom has revolutionized the way we consume written content. Whether you are a student looking for course material, an avid reader searching for your next favorite book, or a professional seeking research papers, the option to download Detroit 60 Engine Wiring Loom has opened up a world of possibilities. Downloading Detroit 60 Engine Wiring Loom provides numerous advantages over physical copies of books and documents. Firstly, it is incredibly convenient. Gone are the days of carrying around heavy textbooks or bulky folders filled with papers. With the click of a button, you can gain immediate access to valuable resources on any device. This convenience allows for efficient studying, researching, and reading on the go. Moreover, the cost-effective nature of downloading Detroit 60 Engine Wiring Loom has democratized knowledge. Traditional books and academic journals can be expensive, making it difficult for individuals with limited financial resources to access information. By offering free PDF downloads, publishers and authors are enabling a wider audience to benefit from their work. This inclusivity promotes equal opportunities for learning and personal growth. There are numerous websites and platforms where individuals can download Detroit 60 Engine Wiring Loom. These websites range from academic databases offering research papers and journals to online libraries with an expansive collection of books from various genres. Many authors and publishers also upload their work to specific websites, granting readers access to their content without any charge. These platforms not only provide access to existing literature but also serve as an excellent platform for undiscovered authors to share their work with the world. However, it is essential to be cautious while downloading Detroit 60 Engine Wiring Loom. Some websites may offer pirated or illegally obtained copies of copyrighted material. Engaging in such activities not only violates copyright laws but also undermines the efforts of authors, publishers, and researchers. To ensure ethical downloading, it is advisable to utilize reputable websites that prioritize the legal distribution of content. When downloading Detroit 60 Engine Wiring Loom, users should also consider the potential security risks associated with online platforms. Malicious actors may exploit vulnerabilities in unprotected websites to distribute malware or steal personal

information. To protect themselves, individuals should ensure their devices have reliable antivirus software installed and validate the legitimacy of the websites they are downloading from. In conclusion, the ability to download Detroit 60 Engine Wiring Loom has transformed the way we access information. With the convenience, cost-effectiveness, and accessibility it offers, free PDF downloads have become a popular choice for students, researchers, and book lovers worldwide. However, it is crucial to engage in ethical downloading practices and prioritize personal security when utilizing online platforms. By doing so, individuals can make the most of the vast array of free PDF resources available and embark on a journey of continuous learning and intellectual growth.

FAQs About Detroit 60 Engine Wiring Loom Books

How do I know which eBook platform is the best for me? Finding the best eBook platform depends on your reading preferences and device compatibility. Research different platforms, read user reviews, and explore their features before making a choice. Are free eBooks of good quality? Yes, many reputable platforms offer high-quality free eBooks, including classics and public domain works. However, make sure to verify the source to ensure the eBook credibility. Can I read eBooks without an eReader? Absolutely! Most eBook platforms offer web-based readers or mobile apps that allow you to read eBooks on your computer, tablet, or smartphone. How do I avoid digital eye strain while reading eBooks? To prevent digital eye strain, take regular breaks, adjust the font size and background color, and ensure proper lighting while reading eBooks. What the advantage of interactive eBooks? Interactive eBooks incorporate multimedia elements, quizzes, and activities, enhancing the reader engagement and providing a more immersive learning experience. Detroit 60 Engine Wiring Loom is one of the best book in our library for free trial. We provide copy of Detroit 60 Engine Wiring Loom in digital format, so the resources that you find are reliable. There are also many Ebooks of related with Detroit 60 Engine Wiring Loom. Where to download Detroit 60 Engine Wiring Loom online for free? Are you looking for Detroit 60 Engine Wiring Loom PDF? This is definitely going to save you time and cash in something you should think about.

Find Detroit 60 Engine Wiring Loom :

best strategies for new roth ira 2025

complete guide to best high yield savings ideas

best strategies for trending high yield savings tips

beginner tutorial for simple debt payoff strategies for beginners

simple retirement planning ideas

beginner tutorial for how to start retirement planning tips

beginner tutorial for easy passive income ideas step by step

~~best strategies for how to personal finance ideas~~

best strategies for how to start roth ira

advanced methods for top credit score ideas

~~best strategies for simple index fund investing 2025~~

best strategies for trending high yield savings 2025

complete guide to how to start roth ira for beginners

~~advanced methods for best how to invest guide~~

~~advanced methods for how to credit score 2025~~

Detroit 60 Engine Wiring Loom :

die geheime sprache der katzen ever clean switzerland - Feb 02 2022

web Über 5 000 000 bücher versandkostenfrei bei thalia die geheime sprache der katzen von susanne schötz und weitere bücher einfach online bestellen

die geheime sprache der katzen von susanne schötz ebook - Nov 30 2021

9783711052476 die geheime sprache der katzen susanne - Jan 13 2023

web select the department you want to search in

die geheime sprache der katzen thalia at - Jan 01 2022

web die geheime sprache der katzen von susanne schötz geschäftskunden kundenprogramme orell füssli startseite vor ort mein konto merzkettel warenkorb

die geheime sprache der katzen schötz susanne - Aug 08 2022

web finde hilfreiche kundenrezensionen und rezensionsbewertungen für die geheime sprache der katzen auf amazon de lese ehrliche und unvoreingenommene rezensionen von

die geheime sprache der katzen susanne schötz google books - Oct 10 2022

web lesen sie die geheime sprache der katzen von susanne schötz mit einer kostenlosen testversion lesen sie millionen von ebooks und hörbüchern im internet mit ipad

die geheime sprache der katzen isbn 9783711052476 - Apr 04 2022

web die geheime sprache der katzensuche de hc isbn 9783711001214search bzw 3711001211 vermutlich in deutsch gebundenes buch

die geheime sprache der katzen ex libris - Mar 15 2023

web may 24 2018 sie stellt die ganze bandbreite der kätzischen lautäußerungen vor und erklärt was sie in unterschiedlichen situationen bedeuten können neben einem

die geheime sprache der katzen bücher de - May 17 2023

web die geheime sprache der katzen on amazon com au free shipping on eligible orders die geheime sprache der katzen

die geheime sprache der katzen hardcover amazon com - Jun 06 2022

web dabei geht es mitunter eher subtil zu wie sie ihren stubentiger besser verstehen im gegensatz zu hunden die oft direkt kommunizieren nutzen katzen eine feinere art der

die geheime sprache der katzen thalia - Jul 19 2023

web die geheime sprache der katzen susanne schötz buch taschenbuch 16 00 inkl gesetzl mwst versandkostenfrei 2

taschenbuch taschenbuch 16 00 ebook ebook

die geheime sprache der katzen 9783711001832 - Apr 16 2023

web die geheime sprache der katzen von susanne schötz kartonierter einband jetzt buch zum tiefpreis von chf 19 90 portofrei bei ex libris bestellen bücher zum ex libris

die geheime sprache der katzen von susanne schötz ebook - Sep 09 2022

web die geheime sprache der katzen von schötz susanne jetzt online bestellen portofrei schnell zuverlässig kein

mindestbestellwert individuelle rechnung 20 millionen titel

die geheime sprache der katzen schötz susanne amazon de - Oct 22 2023

web die geheime sprache der katzen schötz susanne amazon de bücher bücher freizeit haus garten haustiere neu 16 00 preisangaben inkl ust abhängig von der lieferadresse kann die ust an der kasse variieren weitere informationen lieferung für

die geheime sprache der katzen overdrive - Feb 14 2023

web die geheime sprache der katzen finden sie alle bücher von susanne schötz bei der büchersuchmaschine eurobuch com können sie antiquarische und neubücher

die geheime sprache der katzen schötz susanne amazon de - Dec 12 2022

web zur artikeldetailseite von die geheime sprache der katzen epub 3 ecowing sofort per download lieferbar versandfertig innert 1 2 werktagen geringer bestand schweiz

die geheime sprache der katzen orell füssli - Nov 11 2022

web sie stellt die ganze bandbreite der kätzischen lautäußerungen vor und erklärt was sie in unterschiedlichen situationen

bedeuten können neben einem schnellkurs in katzen

subtile sprache wissen sie was ihre katze meint web de - May 05 2022

web die geheime sprache der katzen isbn 9783711052476 ebook von susanne schötz sowie mit vimsan und kompis ehemals streuner die bei der familie schötz quartier

die geheime sprache der katzen kindle ausgabe amazon de - Sep 21 2023

web die geheime sprache der katzen kindle ausgabe von susanne schötz autor format kindle ausgabe 42 sternbewertungen alle formate und editionen anzeigen kindle

amazon de kundenrezensionen die geheime sprache der katzen - Jul 07 2022

web die geheime sprache der katzen on amazon com free shipping on qualifying offers die geheime sprache der katzen

die geheime sprache der katzen hundert geheime gedanken - Aug 20 2023

web die geheime sprache der katzen hundert geheime gedanken die katzen über menschen haben und testen sie ihre katze das 3 bücher sammlungsset zum katzen

die geheime sprache der katzen schötz ab 1 96 - Mar 03 2022

web sie können lernen die geheime sprache von katzen zu sprechen und eine innigere noch liebevollere beziehung zu ihrem stubentiger geniessen sie müssen katzen nur

geheime sprache katzen abebooks - Jun 18 2023

web die geheime sprache der katzen susanne schötz published by ecowing bei benevento publishing feb 2021 2021 isbn 10 3711001831 isbn 13 9783711001832 seller

magnum 100 postcards 06 2048x magnum photos - May 04 2022

web magnum photos 100 postcards

magnum com tr şifre gönder 2023 maserati porsche yaşam - Feb 01 2022

web magnum com tr çekiliş 2023 magnum com tr çekiliş 2023 kampanya için yalnızca sms gönderme şartı yoktur dileyen kişiler için magnum un internet sitesi magnumicecream com tr magnum ghibli kampanyasi html formunu doldurarak

kampanya ya katılabilirsiniz bunun için yapmanız gereken tek şey site adresini arama

magnum photos 100 postcards thames hudson 2016 youtube - Apr 15 2023

web jul 19 2022 this beautifully produced box of 100 individual postcards includes some of the most striking images from the magnum archives each postcard features a different photograph with a blank

magnum photos street photography notecards - Sep 08 2022

web magnum photos is a universally recognized brand with an influential global presence and its photographers are known for their vision brilliance and originality each of the sixteen notecards in this collection features a unique iconic

magnum photos paris 36 postcards amazon com tr - Jul 06 2022

web arama yapmak istediğiniz kategoriye seçin

magnum photos 100 postcards İngilizce kartlar amazon com tr - Jun 17 2023

web magnum photos 100 postcards magnum photos amazon com tr Çerez tercihlerinizi seçin alışveriş deneyiminizi geliştirmek hizmetlerimizi sunmak müşterilerin hizmetlerimizi nasıl kullandığını anlayarak iyileştirmeler yapabilmek ve tanıtımları gösterebilmek için çerezler ve benzeri araçları kullanmaktayız

magnum photos street photography notecards thames - Apr 03 2022

web magnum photos street photography notecards thames hudson gift magnum photos amazon com tr

inspiration displaying some of the 100 magnum postcards reddit - Aug 07 2022

web hi all i recently purchased the set of 100 magnum 6x4 postcards by classic magnum photographers and thought of a good way to display it i found

magnum photos street photography notecards kİtap shopi go - Jul 18 2023

web magnum photos street photography notecards kİtap shopi go ÜrÜN açıklamasithames hudson magnum photos ile özellikle de bugüne kadar on bir dilde 200 000 den fazla satışı birleştiren magnum ve magnum contact sheets ile ortak girişimlerinde olağanüstü ticari başarı ve eleştirel beğeni topladı 2017 de 70 yıl

magnum photos 100 postcards amazon de - Dec 11 2022

web apr 19 2016 a boxed collection of 100 postcards featuring the work of more than 65 magnum greats curated from the bestselling book magnum magnum Über den autor und weitere mitwirkende magnum photos the world s most prestigious photographic agency was formed in 1947 by four photographers robert capa henri cartier bresson george

magnum photos 100 postcards thames hudson gift - Mar 14 2023

web apr 19 2016 100 postcards featuring iconic images by some of the greatest magnum photographers the legendary magnum photo agency is a universally recognized brand with an influential global presence and its photographers are known for

enfes magnum Çikolatası ve dondurmaları magnum - Mar 02 2022

web magnum hazzının en zengin hali yeni magnum double caramel gold ile tanışın tekrar dışarıda yaşayacağımız haz dolu anları hayal etmekte bize katılın kıtır magnum çikolatası ve kadifemsi vanilyalı dondurmanın buluştuğu magnum ürünleri kampanyaları ve çekilişleri için sitemizi ziyaret edin

the complete bundle magnum photos store - Aug 19 2023

web magnum photos 100 postcards this beautifully produced box of 100 individual postcards includes some of the most striking images from the magnum archives each postcard features a different photograph with a blank reverse side for

penning a personal note it s the perfect gift for photographers and photography enthusiasts alike

magnum photos 100 postcards 9780500420362 by magnum postcard - Jun 05 2022

web find many great new used options and get the best deals for magnum photos 100 postcards 9780500420362 by magnum postcard at the best online prices at ebay free delivery for many products

magnum photos new york 36 postcards magnum photos - Nov 10 2022

web magnum photos new york 36 postcards magnum photos amazon com tr Çerez tercihlerinizi seçin Çerez bildirimimizde detaylandırıldığı üzere satın alım yapmanızı sağlamak alışveriş deneyiminizi geliştirmek ve hizmetlerimizi sunmak için gerekli olan çerezleri ve benzer araçları kullanıyoruz

magnum photos 100 postcards the postcards box of 100 - Jan 12 2023

web mar 21 2016 a boxed collection of 100 postcards featuring the work of more than 65 magnum greats curated from the bestselling book magnum magnum about the author magnum photos the world s most prestigious photographic agency was formed in 1947 by four photographers robert capa henri cartier bresson george rodger and david

magnum photos 100 postcards magnum photos store - Sep 20 2023

web this beautifully produced box of 100 individual postcards includes some of the most striking images from the magnum archives each postcard features a different photograph with a blank reverse side for penning a personal note

magnum magnum the postcards box of 100 amazon it - Feb 13 2023

web magnum magnum the postcards box of 100 carte 21 marzo 2016 edizione inglese di magnum photos autore 4 2 128 voti visualizza tutti i formati ed edizioni

magnum postcards magnum amazon com tr kitap - Oct 09 2022

web arama yapmak istediğiniz kategoriye seçin

postcards 50 postcards from the book magnum amazon com - May 16 2023

web jan 1 2000 this collection of postcards contains 50 images from the book magnum offering a vision of the contemporary world at the turn of the century by the photogaphers of the celebrated magnum agency they accompany a major worldwide exhibition

cissp for dummies 6th edition for dummies computer tech - Feb 10 2023

web may 29 2018 buy cissp for dummies 6th edition for dummies computer tech 6 by miller lawrence c isbn 9781119505815 from amazon s book store everyday low prices and free delivery on eligible orders

cissp for dummies for dummies computer tech - Feb 27 2022

web cissp for dummies for dummies computer tech book title cissp for dummies for dummies computer tech the fun and easy way r to pass the cissp exam and get certified cramming for the

cissp for dummies for dummies computer tech - Apr 12 2023

web buy cissp for dummies for dummies computer tech 7 by miller lawrence c gregory peter h isbn 9781119806820 from amazon s book store everyday low prices and free delivery on eligible orders

cissp for dummies for dummies computer tech by - Mar 11 2023

web feb 28 2022 this book written by cissp experts goes beyond the exam material and includes tips on setting up a 60 day study plan exam day advice and access to an online test bank of questions make your test day stress free with cissp for dummies

cissp for dummies for dummies computer tech open - Oct 06 2022

web apr 2 2007 cissp for dummies by lawrence h miller peter h gregory lawrence miller lawrence c miller peter h cisa cissp gregory peter gregory april 2 2007 for dummies edition in english cissp for dummies for dummies computer tech april 2 2007 edition open library

cissp for dummies cheat sheet - Jul 03 2022

web mar 7 2022 cissp for dummies explore book buy on amazon the certified information systems security professional cissp certification is based upon a common body of knowledge cbk determined by the international information systems security certification consortium inc isc ²

cissp for dummies for dummies computer tech - Jan 09 2023

web may 2 2022 revised for the updated 2021 exam cissp for dummies is packed with everything you need to succeed on test day with deep content review on every domain plenty of practice questions and online study tools this book helps aspiring security professionals unlock the door to success on this high stakes exam

cissp for dummies for dummies computer tech miller - Jul 15 2023

web cissp for dummies for dummies computer tech 1 241 32 tl genellikle 4 5 gün içinde kargoya verilir secure your cissp certification if you re a security professional seeking your cissp certification this book is a perfect way to prepare for the exam

[cissp for dummies 6 ed 111950581x 978 1119505815](#) - Dec 28 2021

web learn more about computer adaptive testing for the cissp exam in the about the cissp examination section later in this chapter and on the isc 2 website at isc2 org certification cissp cissp cat

[amazon com customer reviews cissp for dummies for dummies computer](#) - Aug 04 2022

web find helpful customer reviews and review ratings for cissp for dummies for dummies computer tech at amazon com read honest and unbiased product reviews from our users

seven tips for how to pass cissp exam on your first attempt - Mar 31 2022

web mar 6 2018 tip 6 get a good night s sleep before the exam the 6 hour 250 question cissp exam is horrendous and very long indeed i remember leaving the exam devastated and exhausted and having no idea if i passed getting good sleep the night before is a must because you will need plenty of energy for the exam tip 7

cissp for dummies for dummies computer tech z lib - May 01 2022

web main cissp for dummies for dummies computer tech cissp for dummies for dummies computer tech 5 0 5 0 0 comments categories computers technology computer security cissp certification year 2022 edition seventh publisher for dummies language english pages 560 isbn 10 1119806828 isbn 13

cissp for dummies 7th edition wiley - Dec 08 2022

web revised for the updated 2021 exam cissp for dummies is packed with everything you need to succeed on test day with deep content review on every domain plenty of practice questions and online study tools this book helps aspiring security professionals unlock the door to success on this high stakes exam

cissp for dummies for dummies computer tech amazon in - Sep 05 2022

web amazon in buy cissp for dummies for dummies computer tech book online at best prices in india on amazon in read cissp for dummies for dummies computer tech book reviews author details and more at amazon in free delivery on qualified orders

cissp for dummies for dummies computer tech - Jun 14 2023

web feb 28 2022 cissp for dummies for dummies computer tech seventh edition by lawrence c miller author peter h gregory author 4 5 4 5 out of 5 stars 66 ratings

cissp for dummies 6th edition for dummies computer tech - Aug 16 2023

web may 29 2018 cissp for dummies for dummies computer tech 39 99 in stock secure your cissp certification if you re a security professional seeking your cissp certification this book is a perfect way to prepare for the exam

cissp for dummies for dummies computertech - Jun 02 2022

web cissp for dummies for dummies computertech andrei p e t r u parv for general information on our other products and services please contact our customer care department within the u s at 877 762 2974 outside

cissp for dummies - Nov 07 2022

web mar 15 2022 cissp for dummies authors lawrence c miller peter h gregory published march 15 2022 buy on amazon overview get cissp certified with this comprehensive study plan revised for the updated 2021 exam cissp for dummies is packed with everything you need to succeed on test day

digital learning it development consulting translation - Jan 29 2022

web may 9 2022 the cissp pass rate is approximately 20 let s have a look at the details of the cissp certification bootcamp the exam lasts for 6 hours consisting of 250 questions from 8 goliath domains and the minimum passing percentage is 70 and

the cissp passing score is 700 out of 1000 the cissp exam contains a mix of mcq s and

cissp for dummies for dummies computer tech miller - May 13 2023

web cissp for dummies for dummies computer tech miller lawrence c gregory peter h amazon com tr kitap