

ASSEMBLY - ASSEMBLAGE

3

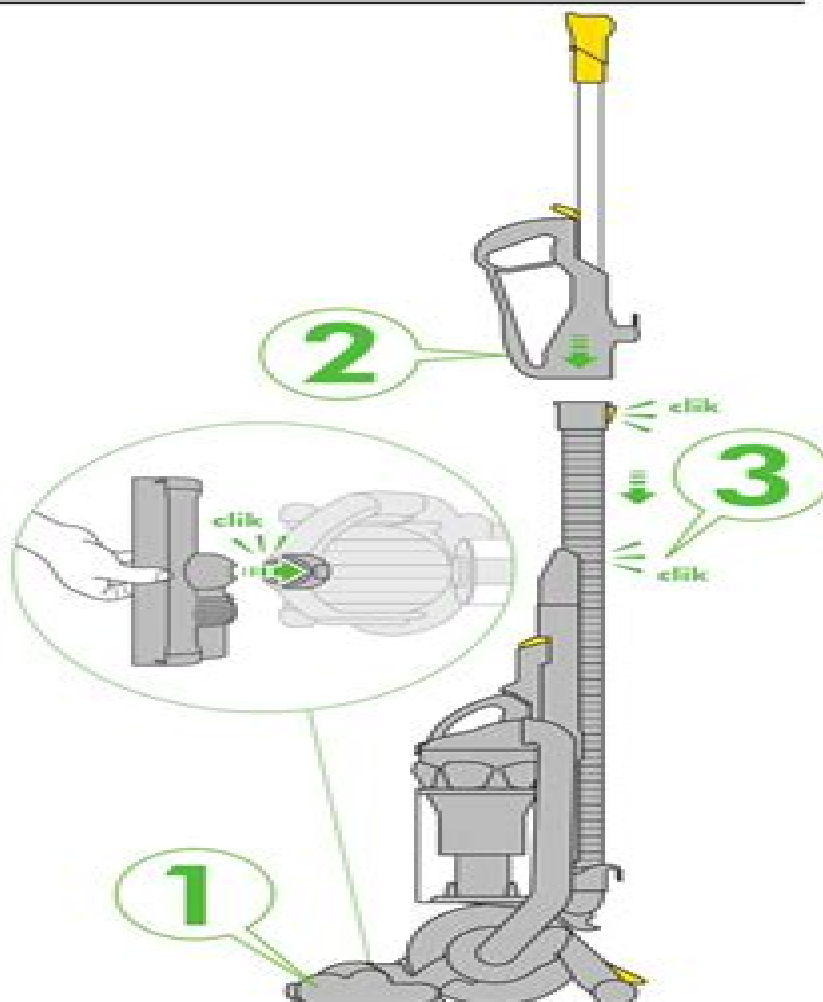
WASH FILTERS
Wash filters with cold water
at least every 3 months.

LAVER LES FILTRES
Laver les filtres à l'eau froide
au moins tous les 3 mois.



REGISTER TODAY
3 easy ways to register
your 5 year warranty

ENREGISTREMENT
3 façons faciles de vous enregistrer
pour bénéficier d'une garantie de 5 ans



Dyson Dc25 User Guide

Antonio Seaman



Dyson Dc25 User Guide:

Skinny Bitch: Home, Beauty & Style Kim Barnouin,2011-09-27 A no nonsense guide to cutting the crap out of your life for a better body and a kinder world Cover [User Guide \[DC07\]](#) Dyson, Instruction manual for a vacuum cleaner *Dyson Gen5detect Vacuum User Manual* Peter A Fuller,2025-09-26 Master the Dyson Gen5detect Unlock Its Full Power Solve Everyday Problems and Keep It Running Like New You've invested in Dyson's most advanced cordless vacuum but are you using it to its full potential The Dyson Gen5detect is more than just a cleaning tool it's a high performance machine with powerful features that can transform the way you clean Without the right guidance though many owners miss hidden capabilities struggle with setup or run into common issues that shorten the machine's life This easy to follow user manual was created to help you understand your Gen5detect from the inside out Whether you're a first time Dyson owner or upgrading from an older model you'll learn exactly how to set up operate maintain and troubleshoot with confidence What Makes This Book Unique Unlike generic guides or scattered online tips this book combines clear step by step instructions expert insights and practical troubleshooting advice in one place It's written in a conversational yet professional tone so you can understand even the most advanced features without feeling overwhelmed You'll also discover community proven hacks and pro tips that go beyond the official manual saving time reducing frustration and extending your vacuum's lifespan Key Benefits You'll Discover Inside Complete setup guidance from charging and assembling to first use calibration for optimal performance Deep understanding of the Hyperdymium™ motor Root Cyclone™ system so you know how your vacuum achieves its powerful suction Step by step maintenance instructions for the HEPA filter brush bars and bin to keep your vacuum running like new Smart use of the LCD screen and Dust Detection Sensor to clean more efficiently and see what's really in your floors Expert cleaning techniques for hard floors carpets rugs corners and tight spaces without hassle Battery care strategies that maximize runtime and extend battery life over years of use Troubleshooting made simple with clear solutions for blockages loss of suction overheating and common alerts Overcoming Hesitation Don't waste hours digging through forums or risk damaging your vacuum by guessing This book gives you everything you need in one trusted easy to navigate guide so you can spend less time figuring things out and more time enjoying a cleaner home With this manual by your side you'll feel confident using every feature and solving issues before they become expensive repairs Bonus Included Your purchase unlocks exclusive bonuses worth over 50 for free [Dyson V7 Motorhead Cordless Stick Vacuum Cleaner, Fuchsia User's Manual](#) Dyson Lineco 15eba,2019-05-23 Unofficial User Guide The Dyson V7 Motorhead cord free vacuum has 75 percent more brush bar power than the Dyson V6 cord free vacuum Engineered for all floor types the direct drive cleaner head drives bristles into the carpet to remove ground in dirt The Dyson V7 Motorhead cord free vacuum quickly transforms to a handheld for quick clean UPS spot cleaning and cleaning difficult places Cleans hard floors with extra power for carpets With 2 additional tools Up to 30 minutes of powerful fade free suction Trigger releases instantly Battery power is only used

for cleaning The direct drive cleaner head drives bristles deep into the carpet to remove ground in dirt It has 75Percent more brush bar power than the Dyson V6 cord free vacuum Transforms to a handheld for beyond the floor cleaning Hygienic dirt ejector empties dust from the bin in a single action 2 tier radial tm cyclones 15 cyclones arranged across two tiers work in parallel to increase airflow and capture fine dust Max power mode provides up to 6 minutes of higher suction for more difficult tasks Balanced for cleaning up top down below and in between

My Samsung Galaxy S21 Ultra User's Manual
Edwin Brown,2021-02-22 The Samsung Galaxy S21 Ultra 5G is one of the Galaxy S21 series smartphones released in 2021 It has some obvious features which clearly distinguishes it from the other two smartphones Galaxy S21 and S21 Plus My Samsung Galaxy S21 Ultra User s Manual is designed to help you master the functions of your Samsung Galaxy S21 Ultra 5G as well maximizing the potentiality of the device This manual adopts a step by step approach which makes it a good fit for non tech savvy users It also provides advanced pro tips and tricks for immediate and advanced users In this guide you will be able to access of the contents below as well as many others Basic tech information and specification about the device A comprehensive setup guide for beginners All you need to know setting up your device How to transfer data from your old device to your new device Setting up and adding Email Calendar Contacts account to your device Setting up a voicemail Customizing your home screen How to use the wireless power sharing feature to charge other devices How to use Bixby and all you need to know about the Samsung virtual assistant Setting up the biometric features on your device How to link your phone to Windows using continuity Using the Samsung keyboard like a pro Effective ways to conserve your battery How to add and remove apps from your device How to use the Camera app to take photos photo settings and photo editing technique pro How to use the camera app to take videos videos settings and video editing techniques pro Connection management And many more A glance through the Table of Contents will give you an insight to the information that has been fully packed in this handy guide Don t wait any further get a copy by clicking the BUY button NOW Hurry

Samsung Galaxy A07 User Guide JUSTICE PROSE, Struggling to unlock the full power of your Samsung Galaxy A07 You re not alone Whether you re new to smartphones or just want to master every feature this user guide is your ultimate companion to transform confusion into confidence The Samsung Galaxy A07 User Guide breaks down everything you need to know in simple straightforward language no tech jargon no guesswork From initial setup to advanced tips this guide is designed to help you Master the powerful 50 MP camera and capture stunning photos and videos Navigate seamless communication for calls messaging and video chats Optimize gaming performance for smooth and enjoyable play Browse the internet efficiently with practical tips for speed and security Enjoy top entertainment apps with customization and media hacks Secure your phone with essential privacy and safety strategies What makes this guide truly stand out It s not just a manual it s a complete practical roadmap with Step by step instructions that anyone can follow Pro tips to unlock hidden features and shortcuts Troubleshooting advice to fix common issues without frustration Expert strategies to keep your device running smoothly and securely Written in a

warm encouraging tone this book empowers users of all skill levels to confidently take control of their Galaxy A07 Whether you re setting up your device for the first time or seeking to maximize its capabilities this guide ensures you won t need to look elsewhere Ready to elevate your Samsung experience ORDER NOW and start mastering your Galaxy A07 today Unlock its full potential and enjoy every feature like a pro *Samsung Galaxy S25 User Guide* Irwin Stewart,2025-01-15 Get the Most Out of Your Samsung Galaxy S25 and S25 Ultra The Samsung Galaxy S25 series including the S25 and S25 Ultra models represents a significant leap in innovative smartphone technology With cutting edge features like advanced cameras long lasting batteries and impressive performance these devices are perfect for anyone looking to upgrade their mobile experience Are You Ready to Unlock the Full Potential of Your Samsung Galaxy S25 Whether you re a seasoned smartphone user or just purchased your first Samsung device this comprehensive user guide is designed to help you master your Galaxy S25 and S25 Ultra This step by step manual covers everything from the basics to advanced features ensuring you get the most out of your new device Here s What You ll Learn 1 Device Overview Explore the features and specifications of the Samsung Galaxy S25 and S25 Ultra 2 Getting Started Learn how to set up your device transfer data and customize your home screen 3 Camera Mastery Discover how to use the advanced camera features including portrait mode night mode and video recording 4 Battery Life Learn how to optimize your device s battery life including power saving modes and charging tips 5 Performance and Storage Understand how to manage your device s storage update your software and troubleshoot common issues 6 Advanced Features Explore the latest features including 5G connectivity wireless charging and Samsung s One UI 7 Tips and Tricks Get expert advice on how to use your device more efficiently including shortcuts gestures and hidden features Purchase This Guide Today Don t miss out on this opportunity to unlock the full potential of your Samsung Galaxy S25 and S25 Ultra Scroll up and click the Buy Now button to get instant access to this comprehensive user guide

Samsung Galaxy S20 Fe 5g User Guide for Seniors Tech Analyst,2020-10-13 A Comprehensive User Guide with Clear Screenshots to Guide you in Mastering your Samsung Galaxy S20 FE 5G Congratulations on buying the powerful Samsung S20 FE 5G You now have in your hand a powerful device that can perform several functions if only you know how to access all the hidden tips and tricks of the phone Not to worry This user guide has explored all the tricks and tips that you need to know to familiarize yourself with the Samsung Galaxy device The phones offer fast 5G download speeds excellent battery capacity 120Hz display and fantastic camera features like the 30x zoom 64MP Camera and so much more There is a whole lot to know about these new Samsung devices This guide will explain even the tiniest function on this phone so that you can maximize the full potentials of your phone Here is a preview of what you would get from this guide How to Set up the Samsung Galaxy S20 Power On Off Your Device Auto Restart Your Device Lift to Wake Feature Transfer Files Instantly with Quick Share Set Up and Use Music Share Attend to Calls from Your Connected Devices Link Your Phone to Your Computer Enable Caller ID and Spam Protection Enable Digital Wellbeing Using Samsung Finder Maximize Battery Life of your Phone

Enable Fast Charging Wireless PowerShare Customize the Home Screen and Lock Screen Manage Google Assistant on S20 Extend the Timer Customize Slow Motion Videos Adjust the Motion Detection Box Enable Scene Optimizer Activate Shot Suggestion Live Focus Modes Explore the Food Mode Automatically Correct Wide Angle Shots Advanced Recording Options Hide Front Camera Take Photos with Palm Play with Sound Settings Separate App Sounds Customize Sound Based on Age Dolby Atmos Using UHQ Upscaler Change Bluetooth Audio Codec Explore the Sound Assistant App In Display Ultrasonic Fingerprint Scanner The Alternate Look Feature Using the Google Duo in the Phone Dialer Always On Display Change Refresh Rate Screen mode Blue light filter Enable One Handed Mode One Hand Operation App Switch to Vivid Display Dual Messenger Get the Good Lock App Assistant Menu Pin Windows Feature And lots more Get this book today and begin to use powerful features that you never knew about [Samsung Galaxy S21 5G Camera User Guide](#) Ernest Woodruff,2021-06-17

Camera is virtually one of the most important aspects of a smart phone and many phone users are often concerned about the quality of a phone camera during purchase The latest Samsung Galaxy S21 has met the demand of a quality camera that will meet the demand of users with respect to top notch camera The Samsung Galaxy S21 camera will definitely give users memorable pictures and videos Samsung Galaxy S21 is now one of the most sort after smart phone device because of its latest camera features and abilities for instance portrait mode zoom lock director s view and so forth We have combined the list of amazing features of this device camera and what you would learn from this guide How to use Samsung Galaxy S21 camera app What you need to know about Depth of Field How to take picture How to make a Video record How locate device Camera Settings All about Aperture mode How to edit one s face Process of enabling HDR10 Video Conversion Taking burst photos What is portrait mode and how to use Method of enabling show palm How to use night mode How to select the suitable External Device for your Galaxy S21 How to activate Focus Enhancer How to customize selfie Color Tone How to switch on 8K Video Zooming on Galaxy S21 Using Space Zoom How to apply emojis and filters How to apply effect during video call How to backup images How to resize or change image size All about Syncing your Gallery photos via One Drive Enabling Tracking Autofocus How to convert HEIC photo to JPEG Editing videos How to save photos and videos to always save to SD card and not phone memory Enabling voice command How to apply background music to video clip Method of adding multiple video clips to make a video All about shooting 12 bit RAW How to extract high resolution image from a video How to reset camera app settings Making use Bokeh How to apply depth of field What you need to know about Optical Image Stabilization About director s view on GALAXY S21 Method of configuring shooting mode Using Live Focus About Computational photography Applying super slow mo How does HDR10 produce top notch videos Method of recovering deleted photos and videos from the recycling bin How to convert HDR10 videos into SD videos How to use Galaxy S21 to snap images of the stars Camera specifications Samsung S21 How to use object erase on your device And many more This Manual is ideal for both Beginners and Experts to maximize User Experience So what are you waiting for Scroll up and Click

the Orange BUY NOW WITH 1 CLICK BUTTON on the top right corner and Download Now You won't regret you did See you inside **All-New PlayStation 5 User Guide, Newbie to Expert in 2 Hours** Edwards Weber, 2020-11-25 Here it is This is the All New Playstation Manual that should have come in the box Here it is This is the All New Fire 7 User Manual that should have come in the box This Book contains views tips and tricks of our favorite PlayStation Console From the Number 1 Best Selling authors in Computers and Technology this clear and concise guide will show you how to get the very best from the incredible new PlayStation 5 Step by step instructions will take you from newbie to expert in just two hours

Samsung Galaxy S25 Plus User Guide ALFRED T. WALKER, 2025-04-23 Unlock the full potential of your device today Imagine effortlessly navigating your new tech with confidence enjoying every feature with ease Have you ever felt overwhelmed by a new gadget unsure of how to make the most of its power What if you could have a guide that walks you through every step ensuring you don't miss out on any feature Picture this you're holding the latest device in your hands excited to explore all the cutting edge features but something holds you back The user manual seems too complicated and you're unsure if you're truly using it to its fullest That's where this guide comes in designed not just to inform but to empower This isn't just another generic how to It's your companion a step by step guide created with you in mind You'll find practical tips time saving shortcuts and the kind of guidance that makes using your device feel like second nature With clear easy to follow instructions you'll uncover features that will truly enhance your experience Here's what you'll get Master Your New Device Unlock all the features you didn't know existed Time Saving Tips Navigate your device like a pro with shortcuts and hacks Customization Options Learn how to personalize your device to match your style and needs Troubleshooting Help Step by step solutions for any issues that might arise Stay Ahead of the Curve Keep up with updates and make sure you're using the latest features as soon as they drop Curious about how you can make your device work harder for you Get ready for a spoiler this guide reveals shortcuts and settings that even seasoned users often overlook And the best part You don't need to be a tech expert to follow along You might be wondering Is this guide really worth it Here's the deal this isn't some abstract theory It's practical proven advice The fear of not maximizing your device will be a thing of the past Every step has been carefully crafted with real users in mind ensuring you get the most out of every feature Ready to dive in Don't wait Take control of your device today grab your copy of the guide and start mastering it like a pro **SAMSUNG GALAXY S25 ULTRA USER GUIDE** Marcus Techwell, This book is a user guide designed for educational purposes only It provides in depth step by step instructions to help you fully understand and unlock the power of your Samsung Galaxy S25 Ultra This guide is independent of Samsung created to empower you with the knowledge to master every feature of your device and maximize its potential Unlock the extraordinary potential of your Samsung Galaxy S25 Ultra with the ultimate user guide This is not just any guide it's the key to unlocking a world of possibilities from capturing professional quality photos to optimizing performance like a pro Whether you're upgrading from another device new to the Galaxy S series or seeking to

master every function this guide will transform how you use your S25 Ultra What if you could master every aspect of your device Imagine taking breathtaking photos with AI enhanced tools discovering hidden features that make your phone smarter and optimizing every app setting and feature for peak performance This educational guide is designed for both newcomers and seasoned tech users providing you with clear easy to follow instructions that help you unlock the full potential of your S25 Ultra without overwhelming jargon Don t let your powerful device sit on the sidelines explore its full capabilities and turn it into your go to tool for everything from work to play In this book you ll uncover pro level tips secrets to boosting productivity photography techniques that rival professional cameras and so much more With each chapter you ll dive deeper into your device s power equipping you with knowledge that will enhance your everyday life and elevate your smartphone game to new heights This is not just another user manual This is a world class educational resource designed to turn you into a Samsung Galaxy S25 Ultra pro Whether you re a beginner or a seasoned tech enthusiast this guide will take you on a transformative journey to master your device Start now unlock the full potential of your S25 Ultra and experience the future of mobile technology at your fingertips This user guide will change the way you experience the Samsung Galaxy S25 Ultra no more guessing or frustration Learn how to harness every feature from camera modes to advanced performance tweaks and take your smartphone game to new levels Get started today and unlock your device s full potential

Samsung Galaxy S21 Ultra 5G User Manual Antonio Seaman,2021-01-28 You can make the most of your new Samsung Galaxy S21 S21 Plus and S21 Ultra 5G if you can make the decision to purchase this manual Purchasing the new Samsung Galaxy S21 is one goal achieved To fulfil other long awaited dreams such as completing a task with co workers with your device capturing good moments with friends and connecting families This manual is the right tool you need to make such a dream a reality This manual is a revolutionary tool that will help you create inspirational detailed and fun filled moments This book walks beginners through simple steps of operating their new device features from camera settings browsing the internet and securing user information This manual uses a step by step approach clear images and icons to show users how to optimally operate their device Learn how to easily overcome the barriers standing between you and your goals today by purchasing this book scroll up and click on the BUY NOW WITH 1 CLICK to get started

The Nikon Z30 User Guide Jason K Manuals,2025-08-05 Unlock the full potential of your Nikon Z30 with this comprehensive user guide Whether you re a beginner photographer or an aspiring content creator this easy to follow manual will help you master your Nikon Z30 like a pro Learn how to set up your camera shoot stunning photos and videos and discover hidden features that will elevate your creativity Packed with expert tips step by step instructions and helpful illustrations this guide is your perfect companion for getting the most out of your Nikon Z30 Inside you ll learn How to set up your Nikon Z30 for photography and vlogging Manual vs auto modes explained clearly Best video settings for YouTube and social media Smart connectivity with Wi Fi Bluetooth and SnapBridge Maintenance troubleshooting and accessories to consider Perfect for beginners vloggers and

Nikon enthusiasts alike get ready to shoot like a pro with your Z30 *Nikon Z5 II User Guide* Rei Marlow, 2025-05-26

Unlock Your Nikon Z5 II Master Photos Video with This Ultimate 2025 Guide Ready to capture breathtaking images and cinematic video with your Nikon Z5 II This up to date 2025 guide is your fast track from unboxing to mastery Forget confusing manuals get clear step by step instructions that make learning every feature intuitive and fun whether you re a beginner or a seasoned pro Packed with expert tips and real world examples this comprehensive guide helps you Master Core Settings Effortlessly control exposure achieve tack sharp focus with advanced AF including Eye Detection and optimize image quality RAW Picture Controls WB Elevate Your Photography Videography Conquer any lighting capture stunning 4K video freeze fast action create compelling compositions and master low light night scenes Customize Your Z5 II Personalize buttons menus and displays for a camera that works for you Learn Efficient Workflow From capture to connectivity sharing and essential camera care This guide is for you if You re new to the Z5 II an experienced photographer wanting to harness its full potential or anyone looking to transform their photos and videos from good to outstanding Stop just using your camera start creating incredible work Get your copy today and unlock the full power of your Nikon Z5 II

Unlock Your Nikon Z5 II Master Photos Video with This Ultimate 2025 Guide Ready to capture breathtaking images and cinematic video with your Nikon Z5 II This up to date 2025 guide is your fast track from unboxing to mastery Forget confusing manuals get clear step by step instructions that make learning every feature intuitive and fun whether you re a beginner or a seasoned pro Packed with expert tips and real world examples this comprehensive guide helps you Master Core Settings Effortlessly control exposure achieve tack sharp focus with advanced AF including Eye Detection and optimize image quality RAW Picture Controls WB Elevate Your Photography Videography Conquer any lighting capture stunning 4K video freeze fast action create compelling compositions and master low light night scenes Customize Your Z5 II Personalize buttons menus and displays for a camera that works for you Learn Efficient Workflow From capture to connectivity sharing and essential camera care This guide is for you if You re new to the Z5 II an experienced photographer wanting to harness its full potential or anyone looking to transform their photos and videos from good to outstanding Stop just using your camera start creating incredible work Get your copy today and unlock the full power of your Nikon Z5 II

Samsung Galaxy A26 User Guide

FRANK E. COOPER, Unlock the Full Potential of Your Samsung Galaxy A26 Say Goodbye to Frustration and Hello to Confidence Struggling to navigate your new Samsung Galaxy A26 Overwhelmed by countless features yet unsure how to use them all Whether you re a tech novice or just eager to get the most out of your device this comprehensive user guide is your ultimate companion Samsung Galaxy A26 User Guide breaks down every essential function of your phone with simple step by step instructions anyone can follow From mastering the camera s stunning capabilities to seamless communication entertainment browsing gaming and beyond you ll unlock your phone s true power quickly and easily What makes this guide indispensable Clear concise explanations of all key features perfectly suited for beginners and casual users Straightforward

setup instructions to get you started on day one Expert pro tips and time saving shortcuts to boost your productivity and enhance your experience Practical troubleshooting advice to solve common issues without hassle In depth coverage of camera tricks messaging Wi Fi app management and more Warm encouraging tone that empowers you to become a confident user not just a passive owner No jargon No confusion Just the practical knowledge you need to make your Samsung Galaxy A26 work for you not the other way around Whether you want to capture perfect photos stream your favorite content flawlessly manage your communications efficiently or explore advanced features this guide will walk you through it all with grace and ease What you ll gain Navigate your phone s interface like a pro Harness the camera s full potential for breathtaking pictures and videos Streamline your communications with calls texts and emails Enjoy gaming and entertainment without limitations Optimize your settings and personalize your experience Troubleshoot like a tech expert when problems arise Ready to take control of your Samsung Galaxy A26 and enjoy every feature it offers Order now and transform your new phone from a source of stress into a trusted tool that enriches your daily life Your confident tech savvy journey starts here

[Samsung Galaxy S21 Camera Guide](#) Curtis Campbell,2021-03-24 This is a special guide for individuals who purchased the Samsung galaxy S21 models for photography or video recording usage Because of the mind blowing ability of the Samsung S21 camera individuals are purchasing the device in order to use it to perform photography lessons or as a photography tool In this guide we explained extensively everything about the Samsung S21 camera how it works and everything that it can do As we all know the Samsung S21 has three different models with almost similar camera ability The first model which is the Samsung S21 is what we discussed in this guide however you can also use this guide to operate the camera of the Samsung S21 and S21 ultra because they possess almost the same interface ability and usage There s a lot to learn in this guide the camera section of the Samsung S21 is very broad and we ll be touching every single place leaving no loopholes If you re a photo freak a video skit maker or you just want nice and crisp HD photos then you shouldn t hesitate to purchase the new Samsung S21 because it s the ideal phone with the perfect and most dynamic camera in the history of Android phones Obviously you may think if this guide is talking just about the Samsung S21 camera I don t think it s worth it Operating the camera app is easy you d say However there s a lot to learn from this exclusive guide and we ve listed some fundamental things below to enable you to continue reading this guide Here are some things you d learn when reading this guide Some terminologies in Samsung Galaxy S21 Camera Computational photography Using HP Sprocket What is optimal Image Stabilization Using the Mpow Selfie Stick Tripod How to apply background music to a video clip How to join multiple video clips to make a video How to backup videos and photos to one drive account How to resize your image How to convert HEIF photo to JPEG How to customize selfie color tone How to activate tracking autofocus How to activate voice command How to save photos and videos in high efficient Activating HDR 10 shooting Extracting high resolution image from a video How to shoot 12 bit RAW Shooting single take 2 0 How to reset camera app settings How to use Bokeh Navigating the

Camera app How to quickly open the Camera app How to take a picture How to record a video Rear Camera capabilities Front Camera capabilities What is the Aperture mode How to take burst photos How to use optimal image stabilization How to choose the best external device for your Galaxy S21 How to use portrait mode How to use night mode About scene detection How to activate focus enhancer How to insert filters and emojis How to use space zoom How to take burst photos How to add effects while on video call How to activate show palm Activating 8K video And many more This is just a few of what is contained in this User Manual and you can Download FREE with Kindle Unlimited So what are you waiting for Scroll up and Click the Orange BUY NOW WITH 1 CLICK BUTTON on the top right corner and Download Now You won't regret you did See you inside

Samsung Galaxy A17 5g User Guide for Beginners and Seniors Luke Jorge, 2025-08-16 Unlock the full potential of your Samsung Galaxy A17 5G with this comprehensive easy to follow guide Whether you're new to smartphones or looking for clear step by step instructions this manual walks you through every feature setting and function to help you get the most out of your device Inside you'll discover Simple setup instructions for unboxing navigating the interface and personalizing your phone Essential communication tools including calls messaging apps and email setup Camera and multimedia tips for capturing stunning photos videos and entertainment on the go Connectivity and productivity guidance to help you browse download apps and manage your device efficiently Security privacy and backup solutions to keep your information safe and easily recoverable Troubleshooting advice for common issues and step by step fixes Hidden features and time saving tips that even experienced users will find invaluable Written specifically for beginners and seniors this user friendly guide ensures you'll navigate your Samsung Galaxy A17 5G with confidence From basic operations to advanced tricks it's the ultimate companion for mastering your device

Nikon D7500 User Handbook Walt Leaburn, 2023-03-21 Are you ready to take your photography to the next level The Nikon D7500 is an excellent camera choice for beginners and enthusiasts but getting started can be overwhelming That's where the Nikon D7500 User Guide comes in This book will walk you through everything you need to know about your Nikon D7500 from basic setup and operation to advanced techniques for capturing stunning photos With clear explanations and step by step instructions you'll learn how to master all the features of your Nikon D7500 Discover how to adjust settings for lighting conditions create stunning portraits and capture action shots easily Learn how to navigate the menu system and customize settings to suit your shooting style You'll even find tips and tricks on getting the best camera results This book also covers crucial concepts in photography like shutter speed aperture and ISO to help you better comprehend how they work together to create stunning pictures Here's a preview of what you'll learn from this book Attaching a lens Removing a lens Setting the focus mode auto or manual Working with Memory Cards Exploring External Camera Controls Getting Good Point and Shoot Results Exploring Your Automatic Exposure Options And many more The Nikon D7500 User Guide is the perfect companion for anyone looking to get the most out of their camera Whether you're just starting or are an experienced photographer this guide will help you take your skills

to the next level *Canon EOS R5 Mark II User Guide* Joy Joseph,2025-01-02 This manual provides essential information on camera setup basic operations and Wi Fi functions It s included with the camera and serves as a quick start guide for new users For detailed instructions on the camera s advanced features and settings this User Guide is available This guide covers topics such as shooting modes autofocus settings video recording and customization options These resources are designed to help users fully understand and utilize the capabilities of the Canon EOS R5 Mark II ensuring an optimal photography experience

Yeah, reviewing a ebook **Dyson Dc25 User Guide** could add your near links listings. This is just one of the solutions for you to be successful. As understood, endowment does not recommend that you have fabulous points.

Comprehending as with ease as concord even more than other will allow each success. neighboring to, the declaration as without difficulty as perspicacity of this Dyson Dc25 User Guide can be taken as with ease as picked to act.

https://yousky7.com/files/book-search/HomePages/Book_Title_Generator_Step_By_Step.pdf

Table of Contents Dyson Dc25 User Guide

1. Understanding the eBook Dyson Dc25 User Guide
 - The Rise of Digital Reading Dyson Dc25 User Guide
 - Advantages of eBooks Over Traditional Books
2. Identifying Dyson Dc25 User Guide
 - Exploring Different Genres
 - Considering Fiction vs. Non-Fiction
 - Determining Your Reading Goals
3. Choosing the Right eBook Platform
 - Popular eBook Platforms
 - Features to Look for in an Dyson Dc25 User Guide
 - User-Friendly Interface
4. Exploring eBook Recommendations from Dyson Dc25 User Guide
 - Personalized Recommendations
 - Dyson Dc25 User Guide User Reviews and Ratings
 - Dyson Dc25 User Guide and Bestseller Lists
5. Accessing Dyson Dc25 User Guide Free and Paid eBooks
 - Dyson Dc25 User Guide Public Domain eBooks
 - Dyson Dc25 User Guide eBook Subscription Services

- Dyson Dc25 User Guide Budget-Friendly Options
- 6. Navigating Dyson Dc25 User Guide eBook Formats
 - ePub, PDF, MOBI, and More
 - Dyson Dc25 User Guide Compatibility with Devices
 - Dyson Dc25 User Guide Enhanced eBook Features
- 7. Enhancing Your Reading Experience
 - Adjustable Fonts and Text Sizes of Dyson Dc25 User Guide
 - Highlighting and Note-Taking Dyson Dc25 User Guide
 - Interactive Elements Dyson Dc25 User Guide
- 8. Staying Engaged with Dyson Dc25 User Guide
 - Joining Online Reading Communities
 - Participating in Virtual Book Clubs
 - Following Authors and Publishers Dyson Dc25 User Guide
- 9. Balancing eBooks and Physical Books Dyson Dc25 User Guide
 - Benefits of a Digital Library
 - Creating a Diverse Reading Collection Dyson Dc25 User Guide
- 10. Overcoming Reading Challenges
 - Dealing with Digital Eye Strain
 - Minimizing Distractions
 - Managing Screen Time
- 11. Cultivating a Reading Routine Dyson Dc25 User Guide
 - Setting Reading Goals Dyson Dc25 User Guide
 - Carving Out Dedicated Reading Time
- 12. Sourcing Reliable Information of Dyson Dc25 User Guide
 - Fact-Checking eBook Content of Dyson Dc25 User Guide
 - Distinguishing Credible Sources
- 13. Promoting Lifelong Learning
 - Utilizing eBooks for Skill Development
 - Exploring Educational eBooks
- 14. Embracing eBook Trends

- Integration of Multimedia Elements
- Interactive and Gamified eBooks

Dyson Dc25 User Guide Introduction

In this digital age, the convenience of accessing information at our fingertips has become a necessity. Whether its research papers, eBooks, or user manuals, PDF files have become the preferred format for sharing and reading documents. However, the cost associated with purchasing PDF files can sometimes be a barrier for many individuals and organizations. Thankfully, there are numerous websites and platforms that allow users to download free PDF files legally. In this article, we will explore some of the best platforms to download free PDFs. One of the most popular platforms to download free PDF files is Project Gutenberg. This online library offers over 60,000 free eBooks that are in the public domain. From classic literature to historical documents, Project Gutenberg provides a wide range of PDF files that can be downloaded and enjoyed on various devices. The website is user-friendly and allows users to search for specific titles or browse through different categories. Another reliable platform for downloading Dyson Dc25 User Guide free PDF files is Open Library. With its vast collection of over 1 million eBooks, Open Library has something for every reader. The website offers a seamless experience by providing options to borrow or download PDF files. Users simply need to create a free account to access this treasure trove of knowledge. Open Library also allows users to contribute by uploading and sharing their own PDF files, making it a collaborative platform for book enthusiasts. For those interested in academic resources, there are websites dedicated to providing free PDFs of research papers and scientific articles. One such website is Academia.edu, which allows researchers and scholars to share their work with a global audience. Users can download PDF files of research papers, theses, and dissertations covering a wide range of subjects. Academia.edu also provides a platform for discussions and networking within the academic community. When it comes to downloading Dyson Dc25 User Guide free PDF files of magazines, brochures, and catalogs, Issuu is a popular choice. This digital publishing platform hosts a vast collection of publications from around the world. Users can search for specific titles or explore various categories and genres. Issuu offers a seamless reading experience with its user-friendly interface and allows users to download PDF files for offline reading. Apart from dedicated platforms, search engines also play a crucial role in finding free PDF files. Google, for instance, has an advanced search feature that allows users to filter results by file type. By specifying the file type as "PDF," users can find websites that offer free PDF downloads on a specific topic. While downloading Dyson Dc25 User Guide free PDF files is convenient, its important to note that copyright laws must be respected. Always ensure that the PDF files you download are legally available for free. Many authors and publishers voluntarily provide free PDF versions of their work, but its essential to be cautious and verify the authenticity of the source before downloading Dyson Dc25 User Guide. In conclusion, the internet offers numerous

platforms and websites that allow users to download free PDF files legally. Whether its classic literature, research papers, or magazines, there is something for everyone. The platforms mentioned in this article, such as Project Gutenberg, Open Library, Academia.edu, and Issuu, provide access to a vast collection of PDF files. However, users should always be cautious and verify the legality of the source before downloading Dyson Dc25 User Guide any PDF files. With these platforms, the world of PDF downloads is just a click away.

FAQs About Dyson Dc25 User Guide Books

What is a Dyson Dc25 User Guide PDF? A PDF (Portable Document Format) is a file format developed by Adobe that preserves the layout and formatting of a document, regardless of the software, hardware, or operating system used to view or print it. **How do I create a Dyson Dc25 User Guide PDF?** There are several ways to create a PDF: Use software like Adobe Acrobat, Microsoft Word, or Google Docs, which often have built-in PDF creation tools. Print to PDF: Many applications and operating systems have a "Print to PDF" option that allows you to save a document as a PDF file instead of printing it on paper. Online converters: There are various online tools that can convert different file types to PDF. **How do I edit a Dyson Dc25 User Guide PDF?** Editing a PDF can be done with software like Adobe Acrobat, which allows direct editing of text, images, and other elements within the PDF. Some free tools, like PDFescape or Smallpdf, also offer basic editing capabilities. **How do I convert a Dyson Dc25 User Guide PDF to another file format?** There are multiple ways to convert a PDF to another format: Use online converters like Smallpdf, Zamzar, or Adobe Acrobats export feature to convert PDFs to formats like Word, Excel, JPEG, etc. Software like Adobe Acrobat, Microsoft Word, or other PDF editors may have options to export or save PDFs in different formats. **How do I password-protect a Dyson Dc25 User Guide PDF?** Most PDF editing software allows you to add password protection. In Adobe Acrobat, for instance, you can go to "File" -> "Properties" -> "Security" to set a password to restrict access or editing capabilities. Are there any free alternatives to Adobe Acrobat for working with PDFs? Yes, there are many free alternatives for working with PDFs, such as: LibreOffice: Offers PDF editing features. PDFsam: Allows splitting, merging, and editing PDFs. Foxit Reader: Provides basic PDF viewing and editing capabilities. How do I compress a PDF file? You can use online tools like Smallpdf, ILovePDF, or desktop software like Adobe Acrobat to compress PDF files without significant quality loss. Compression reduces the file size, making it easier to share and download. Can I fill out forms in a PDF file? Yes, most PDF viewers/editors like Adobe Acrobat, Preview (on Mac), or various online tools allow you to fill out forms in PDF files by selecting text fields and entering information. Are there any restrictions when working with PDFs? Some PDFs might have restrictions set by their creator, such as password protection, editing restrictions, or print restrictions. Breaking these restrictions might require specific software or tools, which may or

may not be legal depending on the circumstances and local laws.

Find Dyson Dc25 User Guide :

[book title generator step by step](#)

[trending nonfiction book ideas tips](#)

advanced methods for best novel writing tips tips

[best strategies for how to start book title generator guide](#)

~~complete guide to how to how to write a book step by step~~

[advanced methods for best how to write a book](#)

how to start book outline templates ideas

quick nonfiction book ideas

~~new book publishing step by step~~

book title generator tips

~~advanced methods for new novel writing tips step by step~~

~~complete guide to top book publishing 2025~~

~~beginner tutorial for what is how to write a book for beginners~~

beginner tutorial for easy children's books ideas

best strategies for easy amazon kdp tips

Dyson Dc25 User Guide :

general knowledge 2013 by dogger brothers copy uniport edu - Oct 24 2021

web may 14 2023 *general knowledge 2013 by dogger brothers 1 11 downloaded from uniport edu ng on may 14 2023 by*

guest *general knowledge 2013 by dogger*

[general knowledge 2013 by dogger brothers free pdf books - Aug 14 2023](#)

web free download *general knowledge 2013 by dogger brothers pdf or read general knowledge 2013 by dogger brothers pdf*

on the most popular online pdf lab only

general knowledge 2013 by dogger brothers pdf - Feb 25 2022

web what you obsession currently this *general knowledge 2013 by dogger brothers* as one of the most energetic sellers here will utterly be among the best options to review

general knowledge 2013 by dogger brothers lynne cherry copy - Nov 24 2021

web general knowledge 2013 by dogger brothers right here we have countless ebook general knowledge 2013 by dogger brothers and collections to check out we

[general knowledge 2013 by dogger brothers uniport edu](#) - Jan 07 2023

web aug 1 2023 acquire the general knowledge 2013 by dogger brothers member that we allow here and check out the link you could buy guide general knowledge 2013 by

download free general knowledge 2013 by dogger brothers pdf - Jun 12 2023

web knowledge that people have search numerous times for their favorite books like this general knowledge 2013 by dogger brothers pdf but end up in infectious

general knowledge 2013 by dogger brothers avvu com tr - Jan 27 2022

web jun 8 2023 I d Hume formerly known as law dogger is an attorney and the litigation partner of his law firm a traditionalist at heart he travels often in an at we were in boise

general knowledge 2013 by dogger brothers pdf lgscout - Mar 09 2023

web general knowledge 2013 by dogger brothers 3 3 decided that buckshaw manor is the only suitable location its foyer alone is bigger than the parish hall and could fit every

general knowledge 2013 by dogger brothers copy uniport edu - Aug 02 2022

web may 28 2023 you may not be perplexed to enjoy all books collections general knowledge 2013 by dogger brothers that we will certainly offer it is not re the costs its

pakistan general knowledge mcqs dogar publishers pdf guide - Apr 29 2022

web tags dogar brothers pdf books pakistan affairs easymcqs com provides you general knowledge mcqs important info about pakistan with answers in pdf for exams

general knowledge 2013 by dogger brothers pdf uniport edu - May 11 2023

web apr 4 2023 publication general knowledge 2013 by dogger brothers can be one of the options to accompany you bearing in mind having additional time it will not waste your

general knowledge 2013 by dogger brothers pdf 2023 - May 31 2022

web general knowledge 2013 by dogger brothers pdf is available in our digital library an online access to it is set as public so you can download it instantly our book servers saves in

general knowledge 2013 by dogger brothers pdf - Jul 01 2022

web general knowledge 2013 by dogger brothers 1 general knowledge 2013 by dogger brothers this is likewise one of the factors by obtaining the soft documents of this

general knowledge 2013 by dogger brothers bryan chick copy - Oct 04 2022

web this general knowledge 2013 by dogger brothers as one of the most working sellers here will totally be along with the best options to review watching the english second

general knowledge 2013 by dogger brothers pdf 2023 - Jul 13 2023

web general knowledge 2013 by dogger brothers pdf when somebody should go to the ebook stores search establishment by shop shelf by shelf it is in point of fact

general knowledge guide dogar brothers - Sep 03 2022

web the general knowledge guide for fpssc ppssc kppssc spssc bpssc ajkpsc gbpsc nts etea armed forces and other competitive exams is available at dogar

general knowledge 2013 by dogger brothers - Mar 29 2022

web general knowledge 2013 by dogger brothers author rainer sauerland from tvl parisbytrain com subject general knowledge 2013 by dogger brothers

general knowledge 2013 by dogger brothers reserve lasd org - Dec 26 2021

web general knowledge 2013 by dogger brothers author reserve lasd org 2023 08 02 01 47 58 subject general knowledge 2013 by dogger brothers keywords

general knowledge 2013 by dogger brothers pdf uniport edu - Apr 10 2023

web may 26 2023 to download and install the general knowledge 2013 by dogger brothers it is utterly simple then since currently we extend the belong to to purchase and make

general knowledge 2013 by dogger brothers download only - Nov 05 2022

web log on this on line publication general knowledge 2013 by dogger brothers as with ease as review them wherever you are now general knowledge 2013 by dogger brothers

general knowledge 2013 by dogger brothers lynne cherry 2023 - Sep 22 2021

web revelation general knowledge 2013 by dogger brothers that you are looking for it will enormously squander the time however below similar to you visit this web page it will

general knowledge mcqs guide by dogar brothers - Dec 06 2022

web general knowledge practice test with concept notes general knowledge practice test 1 general knowledge practice test 2 general knowledge

general knowledge 2013 by dogger brothers - Feb 08 2023

web dogger brothers most likely you have knowledge that people have look numerous time for their favorite books afterward this general knowledge 2013 by dogger brothers

absolutismus ein mythos jstor - Oct 27 2022

web mus im 18 jahrhundert gewidmeten vorlesung sollen die dabei verwendeten leitbegriffe absolutismus aufgeklärter absolutismus und dualismus im lichte der gegenwärtigen

[absolutismus kontroversen um die geschichte hardcover](#) - Sep 06 2023

web dagmar freist analysiert die wesentlichen problemfelder der debatten zum absolutismus beginnend von der diskussion um die begriffsbestimmung absolutismus untersucht

absolutismus wikipedia - Aug 05 2023

einführungen heinz duchhardt absolutismus in staatslexikon recht wirtschaft gesellschaft 8 völlig neu bearbeitete auflage bd 1 herder freiburg 2017 isbn 978 3 451 37512 5 staatslexikon online de dagmar freist absolutismus kontroversen um die geschichte wissenschaftliche buchgesellschaft darmstadt 2008 isbn 978 3 534 14724 3

absolutismus kontroversen um die geschichte - Oct 07 2023

web absolutismus kontroversen um die geschichte freist dagmar isbn 9783534147243 kostenloser versand für alle bücher mit versand und verkauf duch

absolutismus kontroversen um die geschichte - Nov 15 2021

web mar 1 2023 absolutismus kontroversen um die geschichte is available in our digital library an online access to it is set as public so you can get it instantly our book servers

[absolutismus begriff einfach erklärt focus de](#) - Jan 18 2022

web absolutismus einfach erklärt das zeichnet die herrschaftsform aus der absolutismus der auch absolute monarchie genannt wird bezeichnet eine bestimmte herrschaftsform

absolutismus kontroversen um die geschichte - Feb 16 2022

web absolutismus kontroversen um die geschichte yeah reviewing a book absolutismus kontroversen um die den blick weiß um die politische wirklichkeit von

absolutismus hamburg - Dec 29 2022

web dokumentation über den absolutismus film für den geschichtsunterricht der den zusammenhang von aufklärung absolutismus und herausbildung einer revolutionären

rezension von absolutismus ausgabe 9 2009 nr 7 8 - Aug 25 2022

web rezension über dagmar freist absolutismus kontroversen um die geschichte darmstadt wissenschaftliche buchgesellschaft 2008 150 s isbn 978 3 534 14724 3

beurteilung und folgen des absolutismus schulaufwaerts - Jun 22 2022

web geschichte erster weltkrieg england im 17 jahrhundert absolutismus in frankreich Übersicht ereignisse daten fakten

aufgabe des höfischen zeremoniells richelieu und

absolutismus anthrowiki - Mar 20 2022

web als kennzeichen für den absolutismus wird der verstaatlichungsprozess bezeichnet der sich unter anderem in der aufstellung stehender heere dem aufbau eines allein vom

kontroversen um die geschichte content e bookshelf de - May 02 2023

web schichte wie etwa den absolutismus oder die weimarer republik gelegent liche Überschneidungen sind somit nicht nur unvermeidbar sondern auch durchaussinnvoll

rezension zu d freist absolutismus h soz kult - Apr 01 2023

web die debatte ist vorbei von einer wirklichen kontroverse um die geschichte kann nicht mehr die rede sein so widmet dagmar freist der eigentlichen absolutismus debatte

description absolutismus oeaw ac at - Jul 04 2023

web kontroversen um die geschichte subjects absolutismus de 588 4000243 3 geschichte 1600 1800 kontroverse de 588 4128337 5 classification 15 34

amazon de kundenrezensionen absolutismus kontroversen um - Apr 20 2022

web absolutismus kontroversen um die geschichte von dagmar freist rezension schreiben so funktionieren kundenrezensionen und bewertungen alle kaufoptionen

9783534147243 absolutismus kontroversen um die - Feb 28 2023

web absolutismus kontroversen um die geschichte finden sie alle bücher von freist dagmar bei der büchersuchmaschine eurobuch de können sie antiquarische und

absolutismus kontroversen um die geschichte - Sep 25 2022

web jul 27 2023 dagmar freist analysiert die wesentlichen problemfelder der debatten zum absolutismus beginnend von der diskussion um die begriffsbestimmung

welche vorteile und nachteile hat der absolutismus gutefrage - Dec 17 2021

web may 20 2015 nachteile aller absolutismen sind die fehlende meinungsfreiheit keine selbstbestimmung luxuriöser absolutismus das volk wird ausgebeutet damit der

absolutismus von dagmar freist buch thalia - Jun 03 2023

web dagmar freist analysiert die wesentlichen problemfelder der debatten zum absolutismus beginnend von der diskussion um die begriffsbestimmung absolutismus untersucht

absolutismus kontroversen um die geschichte wef tamu - Jul 24 2022

web this info get the absolutismus kontroversen um die geschichte member that we have the funds for here and check out

the link you could purchase lead absolutismus

kontroversen um geschichte absolutismus ab 12 - May 22 2022

web beginnend von der diskussion um die begriffsbestimmung absolutismus untersucht sie den idealtypus des absolutismus und seine abweichungen das verhältnis von staat

absolutismus kontroversen um die geschichte 9783534147243 - Nov 27 2022

web absolutismus kontroversen um die geschichte beispielbild für diese isbn absolutismus kontroversen um die geschichte von dagmar freist verlag wbg

absolutismus definition beispiele absolutistische - Jan 30 2023

web der absolutismus ist eine regierungsform es gibt einen alleinigen herrscher i d r einen monarchen der über dem gesetz steht und die staatsgewalt ausübt dabei

aero understanding tools and equipment equivalency - Dec 11 2022

web operators often contact boeing asking whether commercial tools and equipment from different vendors or with different part numbers are equivalent to those listed in boeing airplane maintenance manuals amms

boeing parts page 1 part number info - Aug 19 2023

web home commercial aircraft parts boeing parts boeing part number lookup boeing part number lookup page 1 over 765 098 part numbers in our catalog

aerospace part and material cross reference - Aug 07 2022

web aerospace part number cross reference industry standard part number freudenberg sealing technologies part number material specification nas1523 see fas n seal list various various nas1593 xxx as568 xxx v75 v75 mil r 83248 type 1 class 1 replaces mil r 25987 type 1 class 1 nas1594 xxx as568 xxx v90 v90 mil r

boeing fasteners aircraft engineering eng tips - Sep 08 2022

web apr 22 2006 at least oversize fasteners are easy with boeing part numbers add an x to the end of the complete part number for 1 64 over nominal add a y to the end for 1 32 over and add a z to the end for 3 64 over though the z s are pretty rare and expensive when you can find them

clip nuts part number cross reference guide - Apr 03 2022

web faa pma clip nut part number cross reference boeing airbus bombardier mitsubishi mrj airline oem s clip nut part number cross reference boeing standard airbus standard mcdonnell douglas other clipnut mfrs part number cross reference alcoa arconic sl monadnock lisi republic

[boeing bearing standards cross reference from schatz bearing](#) - Jan 12 2023

web boeing bearing standards cross reference schatz is approved to the boeing bearing standards below click on the

approved boeing part numbers cross reference link for specific sizes and part numbers new standards are
fasteners product families boeing distribution - Mar 14 2023

web solutions about us register keyboard arrow right product families fasteners with more than 1 million part numbers in stock from more than 3 000 suppliers boeing distribution services is ready to ship what you need where and when you need it
boeing distribution services products products families fasteners fasteners adhesive
boeing spec reference aircraft engineering eng tips - Mar 02 2022

web i m looking with boeing prints furthermore specs mostly on fasteners for dimensional inspection criteria i have the same with lots of airbus and dornier not definite what you mean by allowables a simple cross reference list from boeing part numbers to nas as an ms alternatively nasm part numbers would work for me too
boeing catalogs boeing formerly aviall aircraft parts - Jun 17 2023

web market specific catalogs browse our extensive product and services offerings in an easy to use convenient digital format
boeing bearing part number cross reference schatz - Apr 15 2023

web schatz is approved to the boeing part numbers boeing bearing numbers below new part numbers are occasionally added please check back often or contact us if you don t see the part number you are searching for click on the boeing bearing standards cross reference link for the boeing parent standards
boeing parts aiap part numbers - Oct 09 2022

web because of our commitment to servicing our customers aiap stocks both boeing commercial and military proprietary part numbers if you are looking for this type of fastener please let the sales professionals at aiap assist you in meeting your fastener requirements

pti technologies cross reference for general aviation - May 16 2023

web pti technologies cross reference for general aviation applications aircraft helicopter aircraft helicopter component manufacturer pti aviall engine manufacturer engine model manufacturer part number part number description boeing cont d 707 737 100 200 boeing 10 60592 1 7513128 element hydraulic

boeing parts catalog aerobase group inc - Sep 20 2023

web aircraft parts boeing parts boeing 246 boeing 2706 boeing 307 stratoliner boeing 314 clipper boeing 367 79 boeing 377 stratocruiser boeing 707 boeing 717 boeing 720 boeing 727 boeing 737 boeing 757 boeing 767 boeing 777 boeing 787 boeing 79 boeing ah 64 apache boeing b 17 flying fortress

military parts search by military part number iso group - Feb 13 2023

web search our parts database by nato stock number nsn or by nato part number our databases contain millions of nato parts linked to their nato nsn our proprietary software will cross reference between nato part numbers and us nsn part numbers

where applicable

[boeing parts boeing developer tools](#) - Nov 10 2022

web boeing has been an aerospace leader for more than a century this leadership extends to aircraft parts supplies chemicals tools and materials the boeing part search api works together with the boeing parts price and availability api to facilitate the part ordering process boeing part search seamlessly integrates boeing s extensive parts

search nsn part numbers iso group - Feb 01 2022

web search nsn parts database from iso group the leading sustainabiliity partner to the military our comprehensive nsn search can be used to find military parts or cross reference nsn and nato information

[bac to mil spec cross reference military fasteners](#) - Jul 06 2022

web bac to mil spec cross reference bacb30lm3u30 nas6703u3 shear bolt nas6703u3 bac part a z mil spec part item name view buy online bac j40a 10 4 ms25083 2aa4

[aviation parts and distribution services boeing services](#) - Jul 18 2023

web shop more than 15 million individual part numbers in our inventory including boeing proprietary parts used serviceable materials standard parts boeing manufactured replacement parts oem parts kits chemical products and more

boeing part numbers ahr international - Jun 05 2022

web 10 60516 60b97206 bacb10bw bacb10fp 60b80067 bacb10bb bacb10ex bacb10s 10 60545 60b97207 bacb10bx bacb10fr 60b90143 bacb10bc bacb10ey bacb10w 10

[bacc connectors boeing spec pei genesis](#) - May 04 2022

web bacc connectors pei genesis assembles boeing spec bacc connectors for quick turnaround we are qpl approved to build amphenol and cinch connectivity solutions