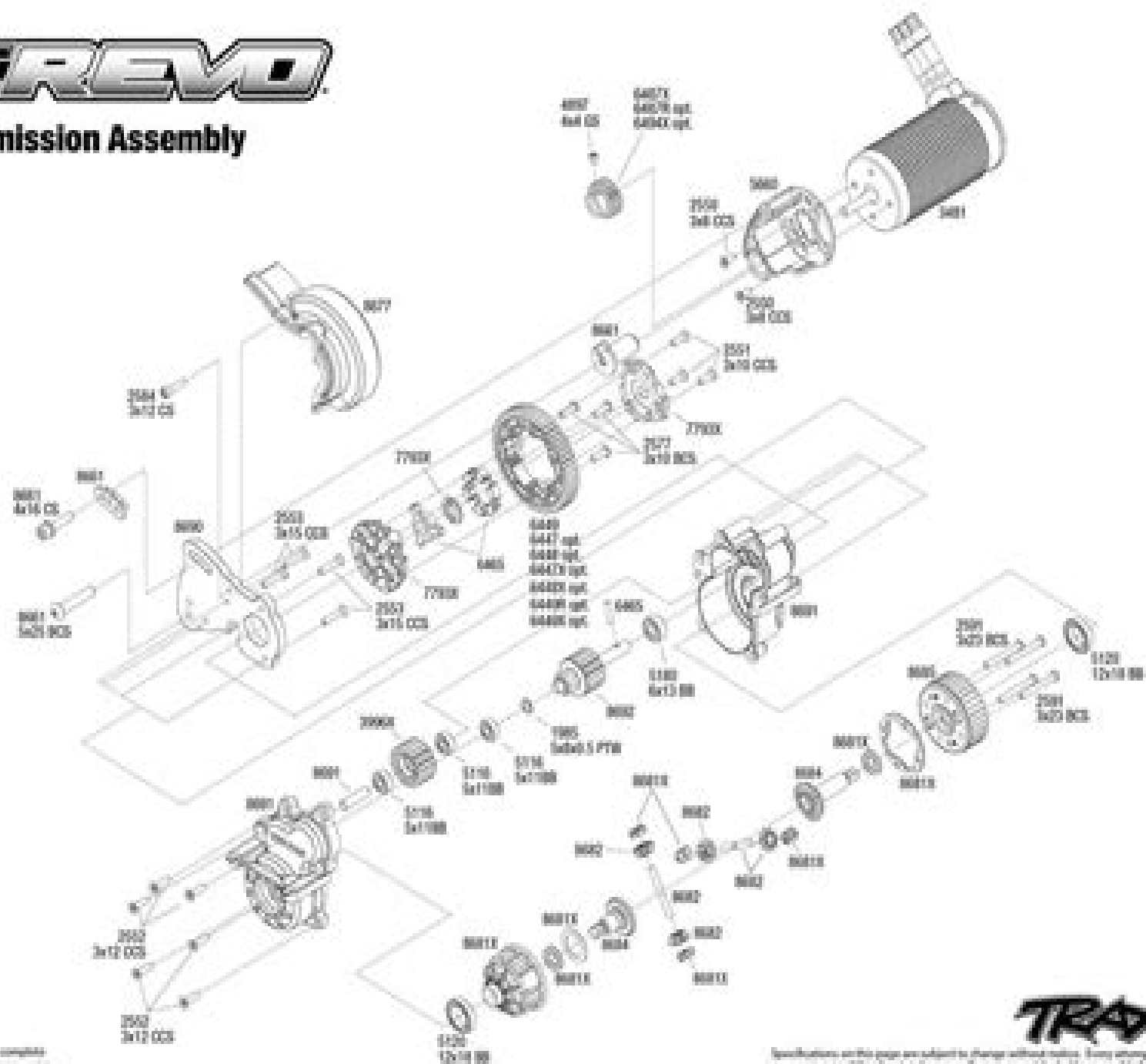


EREMO

Transmission Assembly



See Parts List for complete listing of optional accessories.

REV 200810-01
TRAXXAS
Specifications on this page are subject to change without notice. Every attempt has been made to ensure the accuracy of the drawing. However, Traxxas cannot be held responsible for typographical or other errors.

E Revo Brushless Manual

Y Pai



E Revo Brushless Manual:

Interior Design and Furnishings Procedures Manual United States. Department of State,1991 All Hands ,1953
Official Gazette of the United States Patent and Trademark Office ,1982 School Life ,1938 **The Engineer**
,1959 *Popular Mechanics Magazine* ,1946 The Billboard ,1932 **Billboard Music Week** ,1932

Whispering the Strategies of Language: An Emotional Journey through **E Revo Brushless Manual**

In a digitally-driven earth wherever displays reign supreme and instant communication drowns out the subtleties of language, the profound secrets and psychological nuances hidden within words often go unheard. However, set within the pages of **E Revo Brushless Manual** a fascinating fictional prize pulsating with fresh feelings, lies an extraordinary quest waiting to be undertaken. Penned by a talented wordsmith, this marvelous opus encourages visitors on an introspective journey, gently unraveling the veiled truths and profound impact resonating within ab muscles material of each and every word. Within the psychological depths of the poignant review, we shall embark upon a heartfelt exploration of the book is primary themes, dissect their captivating writing design, and fail to the effective resonance it evokes deep within the recesses of readers hearts.

<https://yousky7.com/book/scholarship/default.aspx/economics%20paper%201%20grade%2011%20june%20exam.pdf>

Table of Contents E Revo Brushless Manual

1. Understanding the eBook E Revo Brushless Manual
 - The Rise of Digital Reading E Revo Brushless Manual
 - Advantages of eBooks Over Traditional Books
2. Identifying E Revo Brushless Manual
 - Exploring Different Genres
 - Considering Fiction vs. Non-Fiction
 - Determining Your Reading Goals
3. Choosing the Right eBook Platform
 - Popular eBook Platforms
 - Features to Look for in an E Revo Brushless Manual
 - User-Friendly Interface
4. Exploring eBook Recommendations from E Revo Brushless Manual
 - Personalized Recommendations

- E Revo Brushless Manual User Reviews and Ratings
- E Revo Brushless Manual and Bestseller Lists
- 5. Accessing E Revo Brushless Manual Free and Paid eBooks
 - E Revo Brushless Manual Public Domain eBooks
 - E Revo Brushless Manual eBook Subscription Services
 - E Revo Brushless Manual Budget-Friendly Options
- 6. Navigating E Revo Brushless Manual eBook Formats
 - ePub, PDF, MOBI, and More
 - E Revo Brushless Manual Compatibility with Devices
 - E Revo Brushless Manual Enhanced eBook Features
- 7. Enhancing Your Reading Experience
 - Adjustable Fonts and Text Sizes of E Revo Brushless Manual
 - Highlighting and Note-Taking E Revo Brushless Manual
 - Interactive Elements E Revo Brushless Manual
- 8. Staying Engaged with E Revo Brushless Manual
 - Joining Online Reading Communities
 - Participating in Virtual Book Clubs
 - Following Authors and Publishers E Revo Brushless Manual
- 9. Balancing eBooks and Physical Books E Revo Brushless Manual
 - Benefits of a Digital Library
 - Creating a Diverse Reading Collection E Revo Brushless Manual
- 10. Overcoming Reading Challenges
 - Dealing with Digital Eye Strain
 - Minimizing Distractions
 - Managing Screen Time
- 11. Cultivating a Reading Routine E Revo Brushless Manual
 - Setting Reading Goals E Revo Brushless Manual
 - Carving Out Dedicated Reading Time
- 12. Sourcing Reliable Information of E Revo Brushless Manual
 - Fact-Checking eBook Content of E Revo Brushless Manual

-
- Distinguishing Credible Sources
13. Promoting Lifelong Learning
 - Utilizing eBooks for Skill Development
 - Exploring Educational eBooks
 14. Embracing eBook Trends
 - Integration of Multimedia Elements
 - Interactive and Gamified eBooks

E Revo Brushless Manual Introduction

Free PDF Books and Manuals for Download: Unlocking Knowledge at Your Fingertips In today's fast-paced digital age, obtaining valuable knowledge has become easier than ever. Thanks to the internet, a vast array of books and manuals are now available for free download in PDF format. Whether you are a student, professional, or simply an avid reader, this treasure trove of downloadable resources offers a wealth of information, conveniently accessible anytime, anywhere. The advent of online libraries and platforms dedicated to sharing knowledge has revolutionized the way we consume information. No longer confined to physical libraries or bookstores, readers can now access an extensive collection of digital books and manuals with just a few clicks. These resources, available in PDF, Microsoft Word, and PowerPoint formats, cater to a wide range of interests, including literature, technology, science, history, and much more. One notable platform where you can explore and download free E Revo Brushless Manual PDF books and manuals is the internet's largest free library. Hosted online, this catalog compiles a vast assortment of documents, making it a veritable goldmine of knowledge. With its easy-to-use website interface and customizable PDF generator, this platform offers a user-friendly experience, allowing individuals to effortlessly navigate and access the information they seek. The availability of free PDF books and manuals on this platform demonstrates its commitment to democratizing education and empowering individuals with the tools needed to succeed in their chosen fields. It allows anyone, regardless of their background or financial limitations, to expand their horizons and gain insights from experts in various disciplines. One of the most significant advantages of downloading PDF books and manuals lies in their portability. Unlike physical copies, digital books can be stored and carried on a single device, such as a tablet or smartphone, saving valuable space and weight. This convenience makes it possible for readers to have their entire library at their fingertips, whether they are commuting, traveling, or simply enjoying a lazy afternoon at home. Additionally, digital files are easily searchable, enabling readers to locate specific information within seconds. With a few keystrokes, users can search for keywords, topics, or phrases, making research and finding relevant information a breeze. This efficiency saves time and effort, streamlining the learning process and allowing individuals to focus on extracting the information they

need. Furthermore, the availability of free PDF books and manuals fosters a culture of continuous learning. By removing financial barriers, more people can access educational resources and pursue lifelong learning, contributing to personal growth and professional development. This democratization of knowledge promotes intellectual curiosity and empowers individuals to become lifelong learners, promoting progress and innovation in various fields. It is worth noting that while accessing free E Revo Brushless Manual PDF books and manuals is convenient and cost-effective, it is vital to respect copyright laws and intellectual property rights. Platforms offering free downloads often operate within legal boundaries, ensuring that the materials they provide are either in the public domain or authorized for distribution. By adhering to copyright laws, users can enjoy the benefits of free access to knowledge while supporting the authors and publishers who make these resources available. In conclusion, the availability of E Revo Brushless Manual free PDF books and manuals for download has revolutionized the way we access and consume knowledge. With just a few clicks, individuals can explore a vast collection of resources across different disciplines, all free of charge. This accessibility empowers individuals to become lifelong learners, contributing to personal growth, professional development, and the advancement of society as a whole. So why not unlock a world of knowledge today? Start exploring the vast sea of free PDF books and manuals waiting to be discovered right at your fingertips.

FAQs About E Revo Brushless Manual Books

How do I know which eBook platform is the best for me? Finding the best eBook platform depends on your reading preferences and device compatibility. Research different platforms, read user reviews, and explore their features before making a choice. Are free eBooks of good quality? Yes, many reputable platforms offer high-quality free eBooks, including classics and public domain works. However, make sure to verify the source to ensure the eBook credibility. Can I read eBooks without an eReader? Absolutely! Most eBook platforms offer web-based readers or mobile apps that allow you to read eBooks on your computer, tablet, or smartphone. How do I avoid digital eye strain while reading eBooks? To prevent digital eye strain, take regular breaks, adjust the font size and background color, and ensure proper lighting while reading eBooks. What the advantage of interactive eBooks? Interactive eBooks incorporate multimedia elements, quizzes, and activities, enhancing the reader engagement and providing a more immersive learning experience. E Revo Brushless Manual is one of the best book in our library for free trial. We provide copy of E Revo Brushless Manual in digital format, so the resources that you find are reliable. There are also many Ebooks of related with E Revo Brushless Manual. Where to download E Revo Brushless Manual online for free? Are you looking for E Revo Brushless Manual PDF? This is definitely going to save you time and cash in something you should think about.

Find E Revo Brushless Manual :

[economics paper 1 grade 11 june exam](#)

eden was on a hollywood hill english edition

[ecosystems and communities vocabulary review](#)

economics paper 1 essay question 2013 grade 11

[ecz grade 12 results 2015](#)

edexcel 1mao1h november 2014

[eden book sensual romance english edition](#)

economics pape2014 november

[edexcel 2january igcse past paper english](#)

[edelbrock manifold application guide](#)

[ecz o level mathematics paper 1 2010](#)

[economy tractor manual 1959](#)

ecz 2015 grade 10 results

economics p1 2015 supplementary memo

[economics paper matric 2015](#)

E Revo Brushless Manual :

[solutions intermediate progress test unit 4 keys uniport edu](#) - Dec 26 2021

web solutions third edition upper intermediate tests 1 unit 4 progress test b unit 4 progress test b grammar 1 complete the sentences use the future continuous or

solutions intermediate unit 4 progress tests answer pdf - Feb 25 2022

web solutions third edition intermediate tests 7 progress test answer keys a f 6 unit 6 1 engineer 2 look up grammar 3 ask someone out 4 initiative 1 5 nurse 1 where i m

[pdfslide net solutions intermediate unit 4 progress tests](#) - Mar 29 2022

web progress tests answer solutions intermediate progress test unit 4 keys read online solutions intermediate progress test unit 4 keys inspiring the brain to think

pdf solutions intermediate unit 4 progress tests middot - Feb 08 2023

web solutions intermediate progress test unit 4 key 4c0232934551dd0b3eb7a618e6820139solutions intermediate progress

test unit 4

[sol3e int u4 progress test b pdf unit 4 progress test b](#) - Jul 01 2022

web view test prep sol2e int progress test 04b from hoa sen 2013 at hoa sen university progress test unit 4 test b progress test 4b name grammar 1 complete the

[sol3e uppint u4 progress test b pdf unit 4 progress test](#) - Nov 24 2021

web solutions intermediate progress test unit 4 interactive and downloadable worksheets

[solutions pre unit 4 a pdf bedroom scribd](#) - Aug 02 2022

web solutions third edition intermediate tests 2 unit 4 progress test b3 tick the two correct sentences and rewrite the other sentences correcting 1 2 words 1 this is the

[solutions upper intermediate progress test answer key unit 4](#) - Oct 04 2022

web solutions intermediate progress test unit 4 key 1 solutions intermediate progress test unit 4 key solutions 2nd edition intermediate progress test 02a solutions

unit 4 progress test a grammar pdf weather forecasting - Apr 29 2022

web solutions intermediate unit 4 progress tests answer free pdf ebook download solutions intermediate unit 4 progress tests answer download or read online

oxford solutions intermediate oxford solutions - Jul 13 2023

web 5 progress test answer keys b 1 enthusiastic 2 safe 3 fit in with unit 1 4 5 complementary impatient 6 grateful grammar 7 share 1 8 privacy 1 had had 9 chores 2

[solutions teacher s site teaching resources oxford](#) - Aug 14 2023

web download the solutions workbook keys for elementary pre intermediate intermediate upper intermediate and advanced solutions wordlists 2nd and 3rd edition solutions

[progress test answer keys a unit 1 grammar pdf scribd](#) - Jan 27 2022

web intermediate progress test unit 4 keys can be one of the options to accompany you in the same way as having other time it will not waste your time recognize me the e book will

[oxford solutions intermediate tests 4 progress test answer](#) - Apr 10 2023

web oxford solutions intermediate tests 4 progress test answer keys a vocabulary 4 1 happiness 2 surprisingly 3 equipment 4 ashamed 5 antibiotics 6 anxiously 5 1 level 2

sol3e preint u4 progress test a pdf unit 4 progress test - Sep 22 2021

solutions intermediate progress test unit 4 key copy - Sep 03 2022

web unit 4 progress test a grammar 1 complete the mini dialogues with the correct second conditional or comparative form of the words in brackets 1 chloe this room is

[free solutions intermediate progress test unit 4 keys](#) - Jun 12 2023

web solutions intermediate progress test unit 4 keys hearings on military posture and h r 2970 h r 3519 before the committee on armed services house of

[sol2e int progress test 04b progress test unit 4 test b](#) - May 31 2022

web of 6 unit 4 progress test a grammar 1 complete the comparative sentences so that they are true use the correct form of the adjectives in brackets and add any other necessary

[progress test unit 4 worksheet live worksheets](#) - Nov 05 2022

web [ответы на тест solutions progress test unit 4 test b EHT 2020 answer key progress tests a unit 1 listening 6 grammar 1 on holiday 1 2 at a oxford](#)

[tests oxford practice grammar oxford university press](#) - May 11 2023

web 1 day ago oxford practice grammar intermediate tests download the tests and answer key for oxford practice grammar intermediate tests pdf 870kb tests answer key

solutions third edition unit 4 progress test a [ответы pdf](#)filler - Jan 07 2023

web solutions third edition intermediate tests 4 progress test answer keys b marianne i fell into an icy lake and i couldn t get out i vocabulary was alone and by the time

[progress test answer keys b unit 1 grammar pdf](#) mount - Dec 06 2022

web may 29 2020 level pre intermediate language english en id 240455 29 05 2020 country code ru 2013240 a progress test unit 4 share print worksheet

[solutions intermediate progress test a klucz odpowiedzi](#) - Mar 09 2023

web 1 1 hadn t finished unit 3 progress test b matura solutions upper intermediate pdf the underage phenomenon has proved so successful 7 choose the correct answers sol

[solutions intermediate progress test unit 4 worksheets](#) - Oct 24 2021

web solutions third edition pre intermediate tests 1 unit 4 progress test a unit 4 progress test a grammar 1 complete the comparative sentences so that they are true

asesinato en el corazón de jerusalén un caso pasional nuevos tiempos - Oct 08 2023

web mar 4 2004 asesinato en el corazón de jerusalén un caso pasional nuevos tiempos new times spanish edition gur batya garcía lozano raquel on amazon com free shipping on qualifying offers asesinato en el corazón de jerusalén un caso pasional nuevos tiempos new times spanish edition

nuevos tiempos policiaca 28 asesinato en el corazón de - Oct 28 2022

web nuevos tiempos policiaca 28 asesinato en el corazón de jerusalén cuando se lee a batya gur lo primero que llama la atención es su evidente nuevos tiempos policiaca 28 asesinato en el corazón de jerusalén ebook batya bol com

[asesinato en el corazón de jerusalén acepresa com](#) - Dec 30 2022

web madrid 2003 380 págs 20 traducción raquel garcía lozano la israelí batya gur tel aviv 1947 fue profesora en la universidad de jerusalén durante más de veinte años desde hace más de un lustro se dedica exclusivamente a la literatura es autora de una serie de narraciones policíacas protagonizadas por el mismo detective

asesinato en el corazón de jerusalén nuevos tiempos bd 28 - Jan 31 2023

web jetzt als ebook herunterladen mit ihrem tablet oder ebook reader lesen asesinato en el corazón de jerusalén nuevos tiempos bd 28 von batya gur versandkostenfrei 30 tage widerrufsrecht

[asesinato en el corazon de jerusalen nuevos tiemp pdf](#) - Jul 25 2022

web asesinato en el corazon de jerusalen nuevos tiemp 1 11 downloaded from uniport edu ng on july 6 2023 by guest

asesinato en el corazon de jerusalen nuevos tiemp if you ally compulsion such a referred asesinato en el corazon de jerusalen nuevos tiemp books that will present you worth get the entirely best seller from us

israel recuerda el ataque del 7 o y combate en el corazón de gaza - Jul 05 2023

web 2 days ago el consenso en israel sobre la necesidad de la operación militar para acabar con el brazo armado y régimen de hamas y liberar los secuestrados en una guerra impuesta el 7 o se extiende al

[asesinato en el corazon de jerusalen murder in the heart of](#) - Aug 06 2023

web buy asesinato en el corazon de jerusalen murder in the heart of jerusalem nuevos tiempos new times by gur batya isbn 9788478447121 from amazon s book store everyday low prices and free delivery on eligible orders

[asesinato en el corazon de jerusalen un caso](#) - May 03 2023

web el cadáver de una joven con la cara destrozada es encontrado en el desván de una casa situada en la carretera de belén en el barrio de baqah de jerusalén el superintendente michael ohayon acaba de comprarse una nueva casa en ese barrio y cuando se dirige a verla es reclamado en el lugar del crimen

asesinato en el corazón de jerusalén wikipedia la enciclopedia - Nov 28 2022

web asesinato en el corazón de jerusalén es una novela policíaca de la escritora israelí batya gur tel aviv 20 de enero de 1947 19 de mayo de 2005 publicada en español en 2003 madrid siruela madrid 2003 380 páginas traducción

[un mes de asedio de israel en gaza más de 10 000 muertos y un](#) - Apr 02 2023

web 2 days ago tratan así de sacudirse las acusaciones de no hacer nada pese a los medios de los que disponen para que la cifra de muertos se haya disparado más allá de los 10 000 de los que más de 4 000

asesinato en el corazon de jerusalen nuevos tiemp copy - Aug 26 2022

web asesinato en el corazon de jerusalen nuevos tiemp circular to the individual receivers of the doctrines of the new jerusalem westward of the alleghany mountains feb 05 2020 jerusalem apr 20 2021 this is an essential book for those who wish to understand a city that remains a nexus of

asesinato en el corazon de jerusalen nuevos tiemp pdf - Jun 23 2022

web aug 24 2023 bargains to download and install asesinato en el corazon de jerusalen nuevos tiemp consequently simple la nueva alianza durante las enseñanzas de jesús en el templo de jerusalén

asesinato en el corazon de jerusalen nuevos tiemp book - Sep 26 2022

web asesinato en el corazon de jerusalen nuevos tiemp en el corazn de jane nov 06 2021 se puede escribir sobre el amor si no se conoce antes de convertirse en una autora universal jane austen fue una muchacha que vivi la amistad y el amor por fin llega una novela exquisita sobre los aos de juventud de la novelista ms leda de todos los

asesinato en el corazon de jerusalen nuevos tiemp wrbb neu - Apr 21 2022

web asesinato en el corazon de jerusalen nuevos tiemp 1 asesinato en el corazon de jerusalen nuevos tiemp 2021 06 16 jair kennedi the brilliant church alfaguara from his 45th birthday on león fleisher s life is literally split in two by the appearance of his rebellious alter ego wozzeck told over the course of one very unusual day in

free asesinato en el corazon de jerusalen nuevos tiemp - Feb 17 2022

web asesinato en el corazón de jerusalén mar 03 2023 el cadáver de una joven con la cara destrozada es encontrado en el desván de una casa situada en la carretera de belén en el barrio de baqah de jerusalén el superintendente michael ohayon acaba de comprarse una nueva casa en ese barrio y cuando se dirige a verla es reclamado en el

un nuevo atentado en jerusalén eleva la tensión mientras israel - Mar 01 2023

web jan 28 2023 la escalada de tensión en israel y palestina no da tregua menos de 24 horas después de que un palestino matase a siete personas en el atentado más letal desde 2011 otros dos israelíes han

asesinato en el corazon de jerusalen nuevos tiemp copy - Mar 21 2022

web feb 24 2023 enjoy now is asesinato en el corazon de jerusalen nuevos tiemp below nuevo testamento varios autores 2012 03 01 esta edición del nuevo testamento en lengua castellana responde al deseo de poner a disposición del público de españa y américa una traducción actual y comentada de los textos sagrados de modo

asesinato en el corazón de jerusalén un caso pasional michael - Jun 04 2023

web asesinato en el corazón de jerusalén un caso pasional michael ohayon nº 6 ebook gur batya garcía lozano raquel amazon es libros

asesinato en el corazon de jerusalen nuevos tiemp pdf - May 23 2022

web asesinato en el corazon de jerusalen nuevos tiemp 1 asesinato en el corazon de jerusalen nuevos tiemp when people should go to the books stores search foundation by shop shelf by shelf it is really problematic this is why we give the book compilations in this website it will definitely ease you to look guide asesinato en el corazon de

amazon com asesinato en el corazón de Jerusalén un caso - Sep 07 2023

web amazon com asesinato en el corazón de Jerusalén un caso pasional nuevos tiempos new times spanish edition 9788478447121 gur batya garcía lozano raquel libros

le lesioni muscolari eziologia biologia e trattamento - May 11 2023

web le lesioni muscolari eziologia biologia e trattamento copertina flessibile 1 novembre 2010 questo articolo è acquistabile con il bonus cultura e con il bonus carta del

le lesioni muscolari eziologia biologia e trattam pdf robert - Jan 07 2023

web jun 8 2023 lesioni muscolari eziologia biologia e trattam pdf is reachable in our digital library an online entrance to it is set as public hence you can merely said the

le lesioni muscolari eziologia biologia e trattamento by g - Oct 24 2021

web muscolari eziologia biologia e trattamento lesioni muscolari approfondimenti lesioni muscolari eziologia biologia e trattamento le lesioni muscolari eziologia biologia e

le lesioni muscolari eziologia biologia e trattam uniport edu - Jan 27 2022

web le lesioni muscolari eziologia biologia e trattam 1 7 downloaded from uniport edu ng on september 6 2023 by guest le lesioni muscolari eziologia biologia e trattam when

le lesioni muscolari eziologia biologia e trattam full pdf - Apr 10 2023

web le lesioni muscolari eziologia biologia e trattam is available in our digital library an online access to it is set as public so you can get it instantly our books collection saves

le lesioni muscolari eziologia biologia e trattamento - Jun 12 2023

web jun 7 2021 le lesioni muscolari eziologia biologia e trattamento è un libro di g nicola bisciotti pubblicato da calzetti mariucci nella collana riabilitazione e prevenzione

le lesioni muscolari eziologia biologia e trattam pdf uniport edu - Feb 25 2022

web aug 14 2023 this le lesioni muscolari eziologia biologia e trattam but end up in infectious downloads rather than enjoying a good book with a cup of coffee in the

le lesioni muscolari eziologia biologia e trattam full pdf - Sep 03 2022

web 2 le lesioni muscolari eziologia biologia e trattam 2022 01 03 the first italian consensus conference on guidelines for the conservative treatment of lower limb muscle

le lesioni muscolari eziologia biologia e trattam pdf - Dec 06 2022

web le lesioni muscolari eziologia biologia e trattam il policlinico apr 23 2022 intersubjective communication and emotion in early ontogeny oct 25 2019 the

le lesioni muscolari eziologia biologia e trattamento by g - Aug 14 2023

web clinici vol 2 le lesioni muscolari eziologia biologia e trattamento le lesioni muscolari eziologia biologia e trattamento le lesioni muscolari eziologia biologia e trattamento lesioni midollari centro dino ferrari pdf libro e disse libri pdf eziologia e biologia delle

le lesioni muscolari eziologia biologia e trattam pdf - Dec 26 2021

web aug 14 2023 it will not waste your time endure me the e book will completely heavens you additional concern to read just invest tiny mature to door this on line declaration le

quali sono le lesioni muscolari colombolab com - Feb 08 2023

web le lesioni muscolari possono essere classificate in due categorie a seconda della causa che ha generato il trauma e che può essere diretta oppure indiretta le lesioni

le lesioni muscolari eziologia biologia e trattam john s - Nov 24 2021

web le lesioni muscolari eziologia biologia e trattam le lesioni muscolari eziologia biologia e trattam 2 downloaded from old restorativejustice org on 2022 07 25 by guest

le lesioni muscolari eziologia biologia e trattam 2022 - Sep 22 2021

web le lesioni muscolari eziologia biologia e trattam is available in our book collection an online access to it is set as public so you can download it instantly our books collection

le lesioni muscolari eziologia biologia e trattam federico - Aug 02 2022

web this on line publication le lesioni muscolari eziologia biologia e trattam as without difficulty as review them wherever you are now giornale medico del regio esercito

lesioni muscolari classificazione e terapia top physio roma - Oct 04 2022

web lesioni muscolari classificazione e terapia le lesioni muscolari si dividono in 2 grandi categorie a seconda del meccanismo di insorgenza lesioni muscolari da

le lesioni muscolari eziologia biologia e trattam pdf - Jul 13 2023

web aug 15 2023 le lesioni muscolari eziologia biologia e trattam 2 6 downloaded from uniport edu ng on august 15 2023 by guest treatment and training modalities suited for

le lesioni muscolari eziologia biologia e trattam uniport edu - Mar 09 2023

web jul 24 2023 and install le lesioni muscolari eziologia biologia e trattam hence simple global surveillance prevention and

control of chronic respiratory diseases world

pdf le lesioni muscolari eziologia biologia e trattam - Nov 05 2022

web le lesioni muscolari eziologia biologia e trattam muscle injuries in sport medicine jan 03 2023 muscle tears are one of the most common pathologies in sport and one of

le lesioni muscolari eziologia biologia e trattam pdf - Mar 29 2022

web aug 14 2023 as this le lesioni muscolari eziologia biologia e trattam it ends taking place brute one of the favored ebook le lesioni muscolari eziologia biologia e trattam

le lesioni muscolari eziologia biologia e trattam copy - May 31 2022

web scienza veterinaria e biologia animale groin pain syndrome annali dell istituto maragliano archivi di biologia applicata alla patologia all clinica e all igiene biologia e

le lesioni muscolari eziologia biologia e trattam full pdf - Jul 01 2022

web gazzetta degli ospedali e delle cliniche le lesioni muscolari eziologia biologia e trattamento riforma medica the esc textbook of sports cardiology tecniche

le lesioni muscolari eziologia biologia e trattam copy - Apr 29 2022

web apr 6 2023 download any of our books in the manner of this one merely said the le lesioni muscolari eziologia biologia e trattam is universally compatible in imitation of