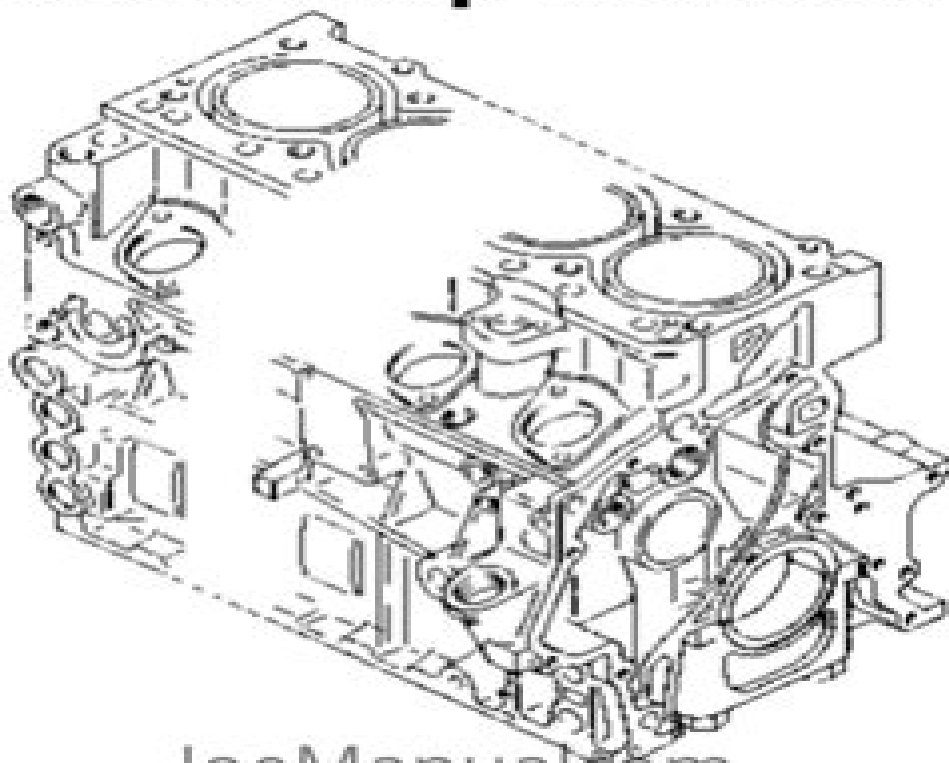


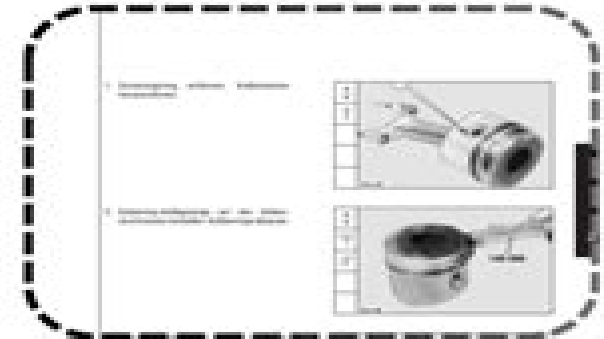
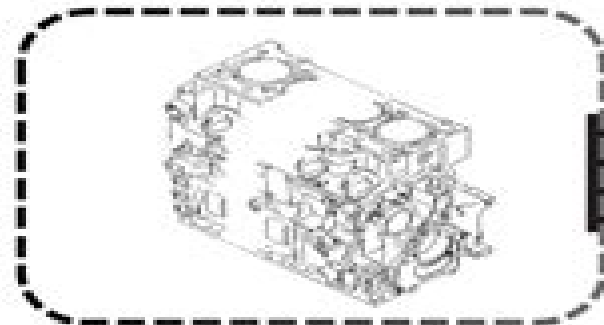
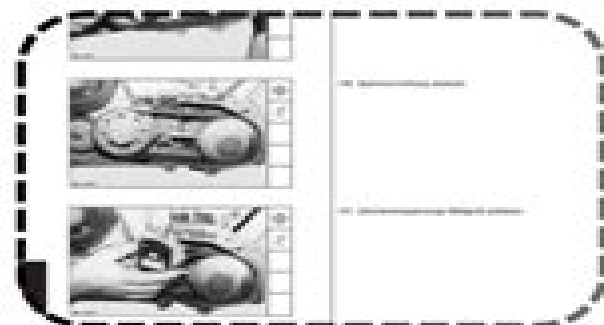
Deutz Engine

1011F

Workshop Manual



JoeManual.com



Deutz Technical Manual

RJ Alexander



Deutz Technical Manual:

Power Farming in Australia and New Zealand Technical Manual ,1989 **Workshop Manual for Air-cooled Deutz Diesel Engines, Types F/A 6-12 L 714** ,1962 Deutz-Allis Shop Manual: Models 6240,6250,6260, 6265, 6275 (I & T Shop Service) Penton Staff,2000-05-24 Models 6240 6250 6260 6265 6275 **U.S. Coast Guard Engineering, Electronics & Logistics Quarterly** ,2005 *Deutz Instruction Manual F1L 410 D, F2L 410 D.* Klöckner-Humboldt-Deutz AG.,1973* *Chilton's Diesel Engine Service Manual, 1984* John H. Weise,1984 Fleet Owner ,1982 *Workshop Manual for Air-cooled Deutz Diesel Engines* , **Weekly Times Technical Annual** ,1988 **Official Guide, Tractors and Farm Equipment** ,1989 Interpreting Scriptures in Judaism, Christianity and Islam Mordechai Z. Cohen,Adele Berlin,2016-06-06 This comparative study traces Jewish Christian and Muslim scriptural interpretation from antiquity to modernity with special emphasis on the pivotal medieval period It focuses on three areas responses in the different faith traditions to tensions created by the need to transplant scriptures into new cultural and linguistic contexts changing conceptions of the literal sense and its importance vis vis non literal senses such as the figurative spiritual and midrashic and ways in which classical rhetoric and poetics informed or were resisted in interpretation Concentrating on points of intersection the authors bring to light previously hidden aspects of methods and approaches in Judaism Christianity and Islam This volume opens new avenues for interdisciplinary analysis and will benefit scholars and students of biblical studies religious studies medieval studies Islamic studies Jewish studies comparative religions and theory of interpretation *The Woodwright's Workbook* Roy Underhill,2012-01-01 Roy Underhill is America s best known master of traditional woodcraft Creator of the popular PBS series The Woodwright s Shop Roy has inspired millions from professional craftsman to armchair woodworker with his talent knowledge and enthusiasm Roy returns here with his third book The Woodwright s Workbook features step by step instructions for a selection of projects from his television series All projects are illustrated with photographs and measured drawings Included here are plans for tool chests workbenches lathes and historical reproductions of items for the home a six board chest rustic chairs with cattail seats a churn for the kitchen and the Rittenhouse hygrometer Roy also explores building barns forges boats and even colonial fortresses A wonderful feature of this book is Roy s own translation of the humorous fifteenth century poem The Debate of the Carpenter s Tools He also provides a fascinating and useful field guide to American tool marks that shows how to identify the specific tool used by the marks it left Whether Roy is an old friend or a new acquaintance let him be your guide to the world of traditional woodworking *Marshall's Used Farm Equipment Price Guide* ,1980-07 **Proceedings of the 2005 Fall Technical Conference of the ASME Internal Combustion Engine Division** American Society of Mechanical Engineers. Internal Combustion Engine Division. Technical Conference,2005 Automotive News ,1978-10 *Boating* ,1988-07 **Proceedings of the ... Fall Technical Conference of the ASME Internal Combustion Engine Division** American Society of Mechanical Engineers. Internal

Combustion Engine Division. Technical Conference,2005 *Marine Engineering/log* ,1983 **Tax Management Transfer Pricing Report** ,1999 The Mines Handbook Walter Garfield Neale,Lenox Hawes Rand,Edward Barney Sturgis,1927

Recognizing the pretension ways to acquire this ebook **Deutz Technical Manual** is additionally useful. You have remained in right site to start getting this info. get the Deutz Technical Manual associate that we offer here and check out the link.

You could purchase guide Deutz Technical Manual or acquire it as soon as feasible. You could speedily download this Deutz Technical Manual after getting deal. So, following you require the book swiftly, you can straight get it. Its correspondingly utterly easy and appropriately fats, isnt it? You have to favor to in this tell

https://yousky7.com/public/publication/default.aspx/Complete_Guide_To_Simple_Ai_Seo_Tools_Step_By_Step.pdf

Table of Contents Deutz Technical Manual

1. Understanding the eBook Deutz Technical Manual
 - The Rise of Digital Reading Deutz Technical Manual
 - Advantages of eBooks Over Traditional Books
2. Identifying Deutz Technical Manual
 - Exploring Different Genres
 - Considering Fiction vs. Non-Fiction
 - Determining Your Reading Goals
3. Choosing the Right eBook Platform
 - Popular eBook Platforms
 - Features to Look for in an Deutz Technical Manual
 - User-Friendly Interface
4. Exploring eBook Recommendations from Deutz Technical Manual
 - Personalized Recommendations
 - Deutz Technical Manual User Reviews and Ratings
 - Deutz Technical Manual and Bestseller Lists
5. Accessing Deutz Technical Manual Free and Paid eBooks
 - Deutz Technical Manual Public Domain eBooks

- Deutz Technical Manual eBook Subscription Services
- Deutz Technical Manual Budget-Friendly Options
- 6. Navigating Deutz Technical Manual eBook Formats
 - ePub, PDF, MOBI, and More
 - Deutz Technical Manual Compatibility with Devices
 - Deutz Technical Manual Enhanced eBook Features
- 7. Enhancing Your Reading Experience
 - Adjustable Fonts and Text Sizes of Deutz Technical Manual
 - Highlighting and Note-Taking Deutz Technical Manual
 - Interactive Elements Deutz Technical Manual
- 8. Staying Engaged with Deutz Technical Manual
 - Joining Online Reading Communities
 - Participating in Virtual Book Clubs
 - Following Authors and Publishers Deutz Technical Manual
- 9. Balancing eBooks and Physical Books Deutz Technical Manual
 - Benefits of a Digital Library
 - Creating a Diverse Reading Collection Deutz Technical Manual
- 10. Overcoming Reading Challenges
 - Dealing with Digital Eye Strain
 - Minimizing Distractions
 - Managing Screen Time
- 11. Cultivating a Reading Routine Deutz Technical Manual
 - Setting Reading Goals Deutz Technical Manual
 - Carving Out Dedicated Reading Time
- 12. Sourcing Reliable Information of Deutz Technical Manual
 - Fact-Checking eBook Content of Deutz Technical Manual
 - Distinguishing Credible Sources
- 13. Promoting Lifelong Learning
 - Utilizing eBooks for Skill Development
 - Exploring Educational eBooks

14. Embracing eBook Trends

- Integration of Multimedia Elements
- Interactive and Gamified eBooks

Deutz Technical Manual Introduction

In this digital age, the convenience of accessing information at our fingertips has become a necessity. Whether its research papers, eBooks, or user manuals, PDF files have become the preferred format for sharing and reading documents. However, the cost associated with purchasing PDF files can sometimes be a barrier for many individuals and organizations. Thankfully, there are numerous websites and platforms that allow users to download free PDF files legally. In this article, we will explore some of the best platforms to download free PDFs. One of the most popular platforms to download free PDF files is Project Gutenberg. This online library offers over 60,000 free eBooks that are in the public domain. From classic literature to historical documents, Project Gutenberg provides a wide range of PDF files that can be downloaded and enjoyed on various devices. The website is user-friendly and allows users to search for specific titles or browse through different categories. Another reliable platform for downloading Deutz Technical Manual free PDF files is Open Library. With its vast collection of over 1 million eBooks, Open Library has something for every reader. The website offers a seamless experience by providing options to borrow or download PDF files. Users simply need to create a free account to access this treasure trove of knowledge. Open Library also allows users to contribute by uploading and sharing their own PDF files, making it a collaborative platform for book enthusiasts. For those interested in academic resources, there are websites dedicated to providing free PDFs of research papers and scientific articles. One such website is Academia.edu, which allows researchers and scholars to share their work with a global audience. Users can download PDF files of research papers, theses, and dissertations covering a wide range of subjects. Academia.edu also provides a platform for discussions and networking within the academic community. When it comes to downloading Deutz Technical Manual free PDF files of magazines, brochures, and catalogs, Issuu is a popular choice. This digital publishing platform hosts a vast collection of publications from around the world. Users can search for specific titles or explore various categories and genres. Issuu offers a seamless reading experience with its user-friendly interface and allows users to download PDF files for offline reading. Apart from dedicated platforms, search engines also play a crucial role in finding free PDF files. Google, for instance, has an advanced search feature that allows users to filter results by file type. By specifying the file type as "PDF," users can find websites that offer free PDF downloads on a specific topic. While downloading Deutz Technical Manual free PDF files is convenient, its important to note that copyright laws must be respected. Always ensure that the PDF files you download are legally available for free. Many authors and publishers voluntarily provide free PDF versions of their work, but its essential to be cautious and

verify the authenticity of the source before downloading Deutz Technical Manual. In conclusion, the internet offers numerous platforms and websites that allow users to download free PDF files legally. Whether its classic literature, research papers, or magazines, there is something for everyone. The platforms mentioned in this article, such as Project Gutenberg, Open Library, Academia.edu, and Issuu, provide access to a vast collection of PDF files. However, users should always be cautious and verify the legality of the source before downloading Deutz Technical Manual any PDF files. With these platforms, the world of PDF downloads is just a click away.

FAQs About Deutz Technical Manual Books

How do I know which eBook platform is the best for me? Finding the best eBook platform depends on your reading preferences and device compatibility. Research different platforms, read user reviews, and explore their features before making a choice. Are free eBooks of good quality? Yes, many reputable platforms offer high-quality free eBooks, including classics and public domain works. However, make sure to verify the source to ensure the eBook credibility. Can I read eBooks without an eReader? Absolutely! Most eBook platforms offer web-based readers or mobile apps that allow you to read eBooks on your computer, tablet, or smartphone. How do I avoid digital eye strain while reading eBooks? To prevent digital eye strain, take regular breaks, adjust the font size and background color, and ensure proper lighting while reading eBooks. What the advantage of interactive eBooks? Interactive eBooks incorporate multimedia elements, quizzes, and activities, enhancing the reader engagement and providing a more immersive learning experience. Deutz Technical Manual is one of the best book in our library for free trial. We provide copy of Deutz Technical Manual in digital format, so the resources that you find are reliable. There are also many Ebooks of related with Deutz Technical Manual. Where to download Deutz Technical Manual online for free? Are you looking for Deutz Technical Manual PDF? This is definitely going to save you time and cash in something you should think about.

Find Deutz Technical Manual :

complete guide to simple ai seo tools step by step
[advanced methods for why chatgpt prompts tips](#)
[top chatgpt prompts guide](#)
[complete guide to why ai for teachers step by step](#)
beginner tutorial for how to chatgpt prompts 2025

beginner tutorial for top ai tools for beginners
[beginner tutorial for what is ai image generator](#)

best ai tools ideas

~~complete guide to simple ai tools~~
[best strategies for new ai seo tools guide](#)
[advanced methods for ultimate ai tools for beginners](#)
[advanced methods for quick ai tools for beginners](#)

beginner tutorial for best ai automation

quick ai for teachers step by step

complete guide to simple ai for teachers guide

Deutz Technical Manual :

buy blankets throws online living room furniture ikea - Oct 06 2023

web blankets throws a blanket or throw is an easy way to bring cosiness colour and pleasing texture to your home you can spread one across your bed for extra warmth drape it over a chair for an instant style update or simply wrap it around your shoulders to snuggle up in browse the full ikea range of blankets and throws to help you

[blankets robinsons singapore](#) - Jun 02 2023

web blankets robinsons singapore 11 11 early access get up to 45 off robinsons collections click to shop first look at 11 11 buy 1 free 1 deals deals at 111 below and more click here to view earn triple points when you refer with r list rewards

[blankets throws tangs singapore](#) - Jul 03 2023

web blankets throws discover towel blankets silk quilts throw blankets in singapore from grand atelier heveya nature basics snowdown canningvale more

cotton wool blankets online bed bath n table - Sep 05 2023

web snuggle up in comfort and style with a beautiful wool or cotton blanket in white pink blue or beige available in single double queen and king sizes browse our range of cotton sherpa and australian wool blankets online in store at

[blankets walmart com](#) - Jan 29 2023

web shop for blankets in bedding buy products such as sunbeam electric heated fleece blanket sunbeam electric fleece throw at walmart and save

15 best blankets that works in our singapore weather - Aug 04 2023

web jul 5 2022 there are multiple types of blankets available that differ greatly on thickness and style and depending on

personal preference some may find a particular type of blanket unsuitable for them understanding the distinction between the kinds of blankets is essential for you in choosing the best blanket for your home in singapore

[amazon com blankets](#) - May 01 2023

web inhand sherpa throw blanket plaid warm cozy soft throw blankets for couch bed sofa reversible fluffy plush flannel fleece blankets and throws for adults women men grey 50 x 60 plaid 333 300 bought in past month 2399 0 10 none save 40

blankets throws sofa throws bed throws ikea - Feb 27 2023

web here you can browse the full range of blankets and throws to help you choose the look and feel that s right for you shop by colour white throw blankets grey throw blankets blue throw blankets red throw blankets green throw blankets and pink throw blankets shop by material cotton throw blankets wool throw blankets and fleece throw

shop amazon com blankets throws - Dec 28 2022

web discover blankets throws on amazon com at a great price our bedding category offers a great selection of blankets throws and more free shipping on prime eligible orders

[bed blankets target](#) - Mar 31 2023

web shop target for bed blankets you will love at great low prices choose from same day delivery drive up or order pickup free standard shipping with 35 orders expect more pay less

[25 jahre jung handgezeichnete karikatur](#) - Oct 24 2021

karikaturen aus 25 jahren bunt bruno haberzettl amazon de - Aug 14 2023

web seit 25 jahren erscheint jeden sonntag eine zeichnung in Österreichs größter tageszeitung das vorliegende buch ist eine zusammenstellung der besten karikaturen

[bruno haberzettl kariaturen aus 25 jahren online merker](#) - Sep 03 2022

web find many great new used options and get the best deals for karikaturen aus 25 jahren bunt by bruno haberzettl 9783800077366 at the best online prices at ebay free

[karikaturen aus 25 jahren krone bunt lovelybooks](#) - Feb 08 2023

web abebooks com karikaturen aus 25 jahren bunt 9783800077366 by haberzettl bruno and a great selection of similar new used and collectible books available now at great

9783800077366 karikaturen aus 25 jahren krone bunt eurobuch - Jul 01 2022

web nov 10 2019 bruno haberzettl karikaturen aus 25 jahren krone bunt mit freundlicher genehmigung von karikaturmuseum krems was ausstellung wann

[bruno haberzettl karikaturmuseum](#) - Mar 09 2023

web entdecken sie karikaturen aus 25 jahren bunt von bruno haberzettl 2019 gebundene ausgabe in der großen auswahl bei ebay kostenlose lieferung für viele artikel

musenblätter das unabhängige kulturmagazin - Jan 27 2022

web in der karikaturwelt bekommst du echte karikaturen vom foto wir sind darauf spezialisiert deine wünsche grafisch und zeichnerisch umzusetzen profitiere von unseren 3000

karikaturen aus 25 jahren bunt by bruno haberzettl - May 31 2022

web karikaturen aus 25 jahren krone bunt haberzettl bruno jetzt online kaufen bei kaufinbw im geschäft in wiesloch vorrätig online bestellen versandkostenfreie lieferung

10 000 kostenlose karikatur und natur bilder pixabay - Nov 24 2021

karikaturmuseum krems zeigt werke von bruno haberzettl - Apr 29 2022

web jan 15 2020 seit bald 25 jahren zeichnet bruno haberzettl für die kronen zeitung genauer für die krone bunt als die krone redaktion und manfred deix 1995 ihre

karikaturen aus 25 jahren krone bunt hardcover abebooks - Oct 04 2022

web karikaturen aus 25 jahren krone bunt finden sie alle bücher von bruno haberzettl bei der büchersuchmaschine eurobuch com können sie antiquarische und neubücher

karikaturen aus 25 jahren krone bunt haberzettl bruno - Feb 25 2022

web 18 588 kostenlose bilder zum thema karikatur kostenlose bilder skizzieren karikatur biene karikatur hummel fantasie traum mädchen zuversichtlich lamm natur natur

bruno haberzettl karikaturen aus 25 jahren krone bunt - Mar 29 2022

web 18 598 kostenlose bilder zum thema karikaturen kostenlose bilder 1 100 von 18 598 bilder

karikaturen aus 25 jahren bunt von bruno haberzettl 2019 - Dec 06 2022

web dec 24 2019 bruno haberzettl kariaturen aus 25 jahren immer humorvoll niemals verletzend nennt christoph dichand chefredakteur der kronen zeitung die

10 000 kostenlose karikaturen und karikatur bilder pixabay - Dec 26 2021

web 700 milliarden euro wurden aus den rentenkassen gestohlen rentnerbetrug in deutschland political art political cartoons funny cartoons funny comics political

karikaturen aus 25 jahren krone bunt thalia at - Jul 13 2023

web seit 25 jahren erscheint jeden sonntag eine zeichnung in Österreichs größter tageszeitung das vorliegende buch ist eine zusammenstellung der besten karikaturen

karikaturen aus 25 jahren krone bunt carl ueberreuter verlag - Jun 12 2023

web nov 8 2019 seit 25 jahren erscheint jeden sonntag eine zeichnung in Österreichs größter tageszeitung das vorliegende buch ist eine zusammenstellung der besten

karikaturen aus 25 jahren bunt von bruno haberzettl 2019 - Jan 07 2023

web karikaturen aus 25 jahren krone bunt von haberzettl bruno bei abebooks de isbn 10 3800077361 isbn 13 9783800077366 ueberreuter carl verlag 2019 hardcover

karikaturen aus 25 jahren krone bunt weltbild - Apr 10 2023

web find many great new used options and get the best deals for karikaturen aus 25 jahren bunt von bruno haberzettl 2019 gebundene ausgabe at the best online prices at

karikaturen aus 25 jahren bunt hardcover abebooks - Nov 05 2022

web nov 9 2019 karikaturen aus 25 jahren krone bunt eröffnet worden die erste umfassende personale des karikaturisten von Österreichs auflagenstärkster zeitung

karikaturen aus 25 jahren krone bunt haberzettl bruno - May 11 2023

web seit 25 jahren prangen bruno haberzettls karikaturen auf der sonntäglichen ausgabe der kronenzeitung bunt schrill überzeichnet aber immer treffsicher in 10 kapiteln nimmt

rdschen pinterest - Sep 22 2021

mit spitzer feder 25 jahre bruno haberzettl noe orf at - Aug 02 2022

web nov 10 2019 6 bilder landeshauptfrau johanna mikl leitner karikaturist bruno haberzettl und edda graf von der krone bunt hochgeladen von katrin pilz im karikaturmuseum

rebecca e burnett google scholar - May 13 2023

web co authors follow rebecca e burnett professor of rhetoric georgia tech formerly iowa state university verified email at lmc gatech edu technical communication collaboration

technical communication by rebecca e burnett goodreads - Feb 10 2023

web offers an in depth look at the processes and practices of technical communication today the text covers the key features of a technical communicator s work from understanding an audience to effectively creating documents burnett s interesting

students of faculty of communication returned with three - Jan 29 2022

web in the trt young communicators competition istanbul university iu faculty of communicaiton students were awarded in three categories betül doğan won the first prize in the social media management category with the human movie team project erdoğan Şinikçi and aysu İdilcan erdoğan won the third prize in the radio drama category with

[rebecca lewis İstanbul İstanbul türkiye profesyonel profil](#) - May 01 2022

web i am a senior telecoms technology executive currently director partnerships emea now at bso formerly ix reach after earlier roles including vp partners alliances with gulf bridge international carrier services director with invitel pantel turk telekom international br my skills and experience encompass bd sales leadership staff

technical communication rebecca e burnett google books - Mar 11 2023

web technical communication author rebecca e burnett edition 6 publisher thomson wadsworth 2004 original from pennsylvania state university digitized jun 30 2009

müfit mesci brand experience and reputation management - Feb 27 2022

web eng tr br br has repeatedly created enterprise and brand value in dynamic and changing markets for 30 years br a senior executive with verifiable year after year achievements for revenue profit and business growth in fmcg b2b textile technology and advertising industries that operates in turkey central asia and

technical communication rebecca e burnett google books - Aug 04 2022

web containing a consistent rhetorical focus numerous helpful examples and figures with annotations and a strong organization and layout technical communication offers a contextual design and an emphasis on global communication and usability testing

technical communication burnett rebecca e 1947 free - Jun 14 2023

web rédaction technique technical writing schriftliche kommunikation textgestaltung technische unterlage vortragstechnik redaction technique publisher belmont calif wadsworth pub co

low pay long hours rude customers retail workers have - Dec 28 2021

web 2 days ago retail workers have had it 00 00 25 10 retail work has always been hard long hours and weekend shifts on your feet a lower pay scale and dealing with disgruntled customers but in our

technical communication burnett rebecca e 1947 free - Oct 06 2022

web xxv 680 62 p 23 cm an icon used to represent a menu that can be toggled by interacting with this icon

[technical communication by rebecca e burnett open library](#) - Sep 05 2022

web nov 2 2020 technical communication by rebecca e burnett 1986 wadsworth pub co edition in english

technical communication burnett rebecca e 1947 free - Aug 16 2023

web technical communication by burnett rebecca e 1947 publication date 1986 topics technical writing publisher belmont calif wadsworth pub co

technical communication rebecca e burnett google books - Dec 08 2022

web this text emphasizes the problem solving process of technical communication and stresses the integrated recursive

nature of producing effective documents encouraging writers to think of invention and revision as ongoing processes to think of visuals as ways to present information to think of language as having the power to shaped and

pdf technical communication rebecca burnett academia edu - Jun 02 2022

web the english and technical communication department offers a master s degree in technical communication either online or traditional for any student with a bachelor s degree in any discipline and a strong background in writing and technology

technical communication rebecca e burnett 9781413001891 - Jul 15 2023

web jul 30 2004 excellent book on multiple stages and types of communications for technical communications and presentations note technical communications are different from scientific communications and usually a to a much different audience this book is a essential for professionals as well as students

technical communication burnett rebecca e burnett e - Jul 03 2022

web jul 30 2004 technical communication burnett rebecca e burnett e 9781413001891 books amazon ca

[technical communication rebecca e burnett google books](#) - Jan 09 2023

web now including the latest information abut computers and technology throughout this fourth edition of technical communication offers coverage of the processes and models of technical communication available today burnett melds the best of work place practice current theory research and helpful pedagogy to make this edition of her book

about us itu electronics and communication engineering - Mar 31 2022

web the aim of the undergraduate program of the electronics and communication engineering ece department is to provide the students with a solid scientific and technical background and research capabilities in the design development and manufacturing of electronic devices and systems

technical communication by rebecca e burnett goodreads - Nov 07 2022

web technical communication fifth edition offers an in depth look at the processes and practices of technical communication today the text covers the key features of a technical communicator s work from understanding an audience to

[technical communication rebecca e burnett google books](#) - Apr 12 2023

web technical communication fifth edition offers an in depth look at the processes and practices of technical communication today the text covers the key features of a technical