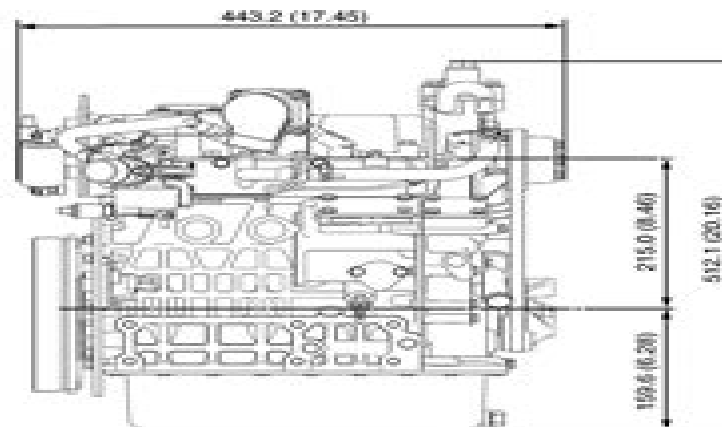
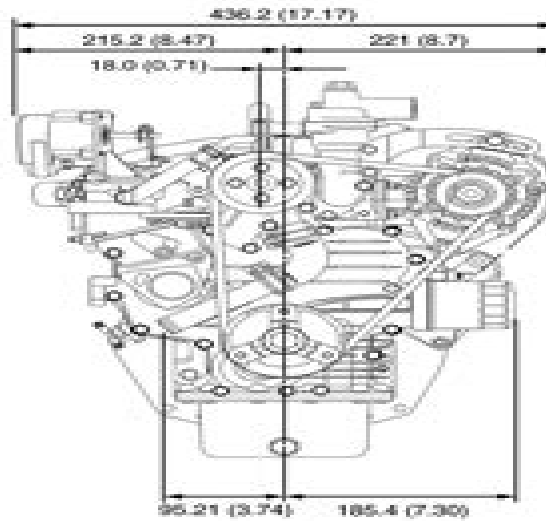


**WG972, DF972 (Electronic Governor Model)**

Unit : mm (in.)



3E8AAABFP002A

9Y12103181M10013050

# Dg 972 E2 Kubota Engine Manual

**Daihatsu Motor Co. Overseas Service  
Department Technical Section**

**Dg 972 E2 Kubota Engine Manual:**

**Daihatsu Type DG Diesel Engine** Daihatsu Motor Co. Overseas Service Department Technical Section,1978

Workshop Manual Daihatsu Type DG Diesel Engine ,1980

When people should go to the books stores, search creation by shop, shelf by shelf, it is truly problematic. This is why we provide the ebook compilations in this website. It will unquestionably ease you to look guide **Dg 972 E2 Kubota Engine Manual** as you such as.

By searching the title, publisher, or authors of guide you in fact want, you can discover them rapidly. In the house, workplace, or perhaps in your method can be all best place within net connections. If you aspiration to download and install the Dg 972 E2 Kubota Engine Manual, it is completely simple then, previously currently we extend the member to purchase and create bargains to download and install Dg 972 E2 Kubota Engine Manual consequently simple!

[https://yousky7.com/files/detail/Download\\_PDFS/dsc%20lcd5500z%20manual.pdf](https://yousky7.com/files/detail/Download_PDFS/dsc%20lcd5500z%20manual.pdf)

## **Table of Contents Dg 972 E2 Kubota Engine Manual**

1. Understanding the eBook Dg 972 E2 Kubota Engine Manual
  - The Rise of Digital Reading Dg 972 E2 Kubota Engine Manual
  - Advantages of eBooks Over Traditional Books
2. Identifying Dg 972 E2 Kubota Engine Manual
  - Exploring Different Genres
  - Considering Fiction vs. Non-Fiction
  - Determining Your Reading Goals
3. Choosing the Right eBook Platform
  - Popular eBook Platforms
  - Features to Look for in an Dg 972 E2 Kubota Engine Manual
  - User-Friendly Interface
4. Exploring eBook Recommendations from Dg 972 E2 Kubota Engine Manual
  - Personalized Recommendations
  - Dg 972 E2 Kubota Engine Manual User Reviews and Ratings
  - Dg 972 E2 Kubota Engine Manual and Bestseller Lists

5. Accessing Dg 972 E2 Kubota Engine Manual Free and Paid eBooks
  - Dg 972 E2 Kubota Engine Manual Public Domain eBooks
  - Dg 972 E2 Kubota Engine Manual eBook Subscription Services
  - Dg 972 E2 Kubota Engine Manual Budget-Friendly Options
6. Navigating Dg 972 E2 Kubota Engine Manual eBook Formats
  - ePub, PDF, MOBI, and More
  - Dg 972 E2 Kubota Engine Manual Compatibility with Devices
  - Dg 972 E2 Kubota Engine Manual Enhanced eBook Features
7. Enhancing Your Reading Experience
  - Adjustable Fonts and Text Sizes of Dg 972 E2 Kubota Engine Manual
  - Highlighting and Note-Taking Dg 972 E2 Kubota Engine Manual
  - Interactive Elements Dg 972 E2 Kubota Engine Manual
8. Staying Engaged with Dg 972 E2 Kubota Engine Manual
  - Joining Online Reading Communities
  - Participating in Virtual Book Clubs
  - Following Authors and Publishers Dg 972 E2 Kubota Engine Manual
9. Balancing eBooks and Physical Books Dg 972 E2 Kubota Engine Manual
  - Benefits of a Digital Library
  - Creating a Diverse Reading Collection Dg 972 E2 Kubota Engine Manual
10. Overcoming Reading Challenges
  - Dealing with Digital Eye Strain
  - Minimizing Distractions
  - Managing Screen Time
11. Cultivating a Reading Routine Dg 972 E2 Kubota Engine Manual
  - Setting Reading Goals Dg 972 E2 Kubota Engine Manual
  - Carving Out Dedicated Reading Time
12. Sourcing Reliable Information of Dg 972 E2 Kubota Engine Manual
  - Fact-Checking eBook Content of Dg 972 E2 Kubota Engine Manual
  - Distinguishing Credible Sources
13. Promoting Lifelong Learning

- Utilizing eBooks for Skill Development
  - Exploring Educational eBooks
14. Embracing eBook Trends
- Integration of Multimedia Elements
  - Interactive and Gamified eBooks

### **Dg 972 E2 Kubota Engine Manual Introduction**

In today's digital age, the availability of Dg 972 E2 Kubota Engine Manual books and manuals for download has revolutionized the way we access information. Gone are the days of physically flipping through pages and carrying heavy textbooks or manuals. With just a few clicks, we can now access a wealth of knowledge from the comfort of our own homes or on the go. This article will explore the advantages of Dg 972 E2 Kubota Engine Manual books and manuals for download, along with some popular platforms that offer these resources. One of the significant advantages of Dg 972 E2 Kubota Engine Manual books and manuals for download is the cost-saving aspect. Traditional books and manuals can be costly, especially if you need to purchase several of them for educational or professional purposes. By accessing Dg 972 E2 Kubota Engine Manual versions, you eliminate the need to spend money on physical copies. This not only saves you money but also reduces the environmental impact associated with book production and transportation. Furthermore, Dg 972 E2 Kubota Engine Manual books and manuals for download are incredibly convenient. With just a computer or smartphone and an internet connection, you can access a vast library of resources on any subject imaginable. Whether you're a student looking for textbooks, a professional seeking industry-specific manuals, or someone interested in self-improvement, these digital resources provide an efficient and accessible means of acquiring knowledge. Moreover, PDF books and manuals offer a range of benefits compared to other digital formats. PDF files are designed to retain their formatting regardless of the device used to open them. This ensures that the content appears exactly as intended by the author, with no loss of formatting or missing graphics. Additionally, PDF files can be easily annotated, bookmarked, and searched for specific terms, making them highly practical for studying or referencing. When it comes to accessing Dg 972 E2 Kubota Engine Manual books and manuals, several platforms offer an extensive collection of resources. One such platform is Project Gutenberg, a nonprofit organization that provides over 60,000 free eBooks. These books are primarily in the public domain, meaning they can be freely distributed and downloaded. Project Gutenberg offers a wide range of classic literature, making it an excellent resource for literature enthusiasts. Another popular platform for Dg 972 E2 Kubota Engine Manual books and manuals is Open Library. Open Library is an initiative of the Internet Archive, a non-profit organization dedicated to digitizing cultural artifacts and making them accessible to the public. Open Library hosts millions of books, including both public domain works and contemporary

titles. It also allows users to borrow digital copies of certain books for a limited period, similar to a library lending system. Additionally, many universities and educational institutions have their own digital libraries that provide free access to PDF books and manuals. These libraries often offer academic texts, research papers, and technical manuals, making them invaluable resources for students and researchers. Some notable examples include MIT OpenCourseWare, which offers free access to course materials from the Massachusetts Institute of Technology, and the Digital Public Library of America, which provides a vast collection of digitized books and historical documents. In conclusion, Dg 972 E2 Kubota Engine Manual books and manuals for download have transformed the way we access information. They provide a cost-effective and convenient means of acquiring knowledge, offering the ability to access a vast library of resources at our fingertips. With platforms like Project Gutenberg, Open Library, and various digital libraries offered by educational institutions, we have access to an ever-expanding collection of books and manuals. Whether for educational, professional, or personal purposes, these digital resources serve as valuable tools for continuous learning and self-improvement. So why not take advantage of the vast world of Dg 972 E2 Kubota Engine Manual books and manuals for download and embark on your journey of knowledge?

### **FAQs About Dg 972 E2 Kubota Engine Manual Books**

**What is a Dg 972 E2 Kubota Engine Manual PDF?** A PDF (Portable Document Format) is a file format developed by Adobe that preserves the layout and formatting of a document, regardless of the software, hardware, or operating system used to view or print it. **How do I create a Dg 972 E2 Kubota Engine Manual PDF?** There are several ways to create a PDF: Use software like Adobe Acrobat, Microsoft Word, or Google Docs, which often have built-in PDF creation tools. Print to PDF: Many applications and operating systems have a "Print to PDF" option that allows you to save a document as a PDF file instead of printing it on paper. Online converters: There are various online tools that can convert different file types to PDF. **How do I edit a Dg 972 E2 Kubota Engine Manual PDF?** Editing a PDF can be done with software like Adobe Acrobat, which allows direct editing of text, images, and other elements within the PDF. Some free tools, like PDFescape or Smallpdf, also offer basic editing capabilities. **How do I convert a Dg 972 E2 Kubota Engine Manual PDF to another file format?** There are multiple ways to convert a PDF to another format: Use online converters like Smallpdf, Zamzar, or Adobe Acrobat's export feature to convert PDFs to formats like Word, Excel, JPEG, etc. Software like Adobe Acrobat, Microsoft Word, or other PDF editors may have options to export or save PDFs in different formats. **How do I password-protect a Dg 972 E2 Kubota Engine Manual PDF?** Most PDF editing software allows you to add password protection. In Adobe Acrobat, for instance, you can go to "File" -> "Properties" -> "Security" to set a password to restrict access or editing capabilities. Are there any free alternatives to Adobe Acrobat for working with PDFs? Yes, there are many free alternatives for working with

PDFs, such as: LibreOffice: Offers PDF editing features. PDFsam: Allows splitting, merging, and editing PDFs. Foxit Reader: Provides basic PDF viewing and editing capabilities. How do I compress a PDF file? You can use online tools like Smallpdf, ILovePDF, or desktop software like Adobe Acrobat to compress PDF files without significant quality loss. Compression reduces the file size, making it easier to share and download. Can I fill out forms in a PDF file? Yes, most PDF viewers/editors like Adobe Acrobat, Preview (on Mac), or various online tools allow you to fill out forms in PDF files by selecting text fields and entering information. Are there any restrictions when working with PDFs? Some PDFs might have restrictions set by their creator, such as password protection, editing restrictions, or print restrictions. Breaking these restrictions might require specific software or tools, which may or may not be legal depending on the circumstances and local laws.

### Find Dg 972 E2 Kubota Engine Manual :

*dsc lcd5500z manual*

**droits et libertes acutes fondamentaux laquo que saisje raquo ndeg**

dressta 560c shop manual

driving force of european imperialism in africa

**dresser 510b manual**

dtectives pack promo t4 offert

**dream manual missing weaver**

driving the sitter taboo secrets english edition

**drug quick reference pocket guide**

**dsc security manual pc1555**

*drive right 10th edition workbook teachers edition*

dsc wiring diagram bmw e38 740il

**dsc pc1616 1832 1864 user guide**

*droid mini motorola manual*

**drivers door diagram chevy**

### Dg 972 E2 Kubota Engine Manual :

**cours et exercices corrigés pour la 2e pccl physique chimie** - Jun 13 2023

web contrôles et leurs corrigés évaluation correction pédagogie soutien scolaire gratuit en animations pédagogiques flash



pour les sciences physiques et chimie 2e générale et  
*deuxième année secondaire devoirs bac tunisie devoirs* - Mar 10 2023

web séries d exercices physique chimie deuxième année secondaire devoirs bac tunisie devoirs séries exercices et cours 1ère  
2ème 3ème année secondaire accueil

where to download physique chimie 2e entraa nement - Mar 30 2022

web physique chimie 2e entraa nement progressif is available in our digital library an online access to it is set as public so  
you can get it instantly our digital library hosts in multiple

**physique chimie 2eme secondaire pdf à imprimer** - Feb 26 2022

web exercices avec les corrections pour la 2eme secondaire la structure de l univers chapitre 2 la structure de l univers  
thème 1 organisation et transformations de la matière

**physique chimie 2e entraa nement progressif pdf** - Sep 23 2021

web jun 29 2023 physique chimie 2de prépac cours entraînement jacques royer 2016 01 06 un outil de travail  
particulièrement complet et efficace pour vous

**physique chimie 2e entraa nement progressif copy uniport edu** - Dec 27 2021

web mar 13 2023 physique chimie 2e entraa nement progressif 2 10 downloaded from uniport edu ng on march 13 2023 by  
guest rentrée prochaine des corrigés détaillés

physique chimie 2e entraa nement progressif pdf byu - Nov 06 2022

web physique chimie 2e entraa nement progressif pdf byu physique chimie cap bac pro des fiches et des vidéos de cours offre  
classe réforme lycée pro 2019 20

**programmes et ressources en physique chimie voie gt** - Jul 14 2023

web les programmes de physique chimie de seconde générale et technologique et de première générale sont définis par  
arrêtés du 17 1 2019 publiés au bo spécial n 1 du 22

**physique chimie 2e entraa nement progressif pdf brigham** - Nov 25 2021

web jun 22 2023 this physique chimie 2e entraa nement progressif pdf can be taken as capably as picked to act tout savoir  
2de louise taquechel 2015 05 13 pour réussir sa

**physique chimie 2e entraa nement progressif** - Jan 28 2022

web its virtually what you craving currently this physique chimie 2e entraa nement progressif as one of the most operating  
sellers here will enormously be in the midst of

*physique chimie 2e entraa nement progressif* - Jun 01 2022

web physique chimie 2e entraa nement progressif new trends in biology teaching brevet d invention negotiating

opportunities niels bohr s times section ii physique

**pdf physique chimie 2e entraa nement progressif** - Jan 08 2023

web physique chimie 2e feb 24 2021 un outil pour réviser le programme dans cette matière avec des rappels de cours des exercices et des problèmes corrigés nouvel

**physique chimie 2e entraa nement progressif 2022 qr bonide** - Apr 30 2022

web physique chimie 2e entraa nement progressif journal of theatre anthropology 2021 imaging anatomy knee ankle foot e book livre de l interne en médecine interne 2e

*physique chimie 2e entraînement progressif by patricia chemouni* - Oct 05 2022

web april 25th 2020 methods physique chimie tle s 165 methodes 56 exercices corriges de jean charles excoffon 5 mars 2007 anglais 2e entraa nement progressif

*cours et programme de physique chimie de seconde annabac* - Apr 11 2023

web seconde le programme de physique chimie en classe de seconde vise à consolider les connaissances des élèves dans les domaines de la physique et de la chimie il a pour

*physique chimie 2de cours et programmes mymaxicours lycée* - May 12 2023

web le programme prolonge les thématiques abordées au collège pour progresser en physique chimie mymaxicours propose une solution complète clé en main et

physique chimie 2e entraînement progressif paperback - Aug 15 2023

web physique chimie 2e entraînement progressif on amazon com free shipping on qualifying offers physique chimie 2e entraînement progressif

physique chimie 2e entraa nement progressif - Dec 07 2022

web ouvrage français maths histoire géographie physique chimie svt anglais espagnol sur chaque thème du programme l essentiel du cours la méthode ou le document à

**physique chimie 2e entraa nement progressif pdf uniport edu** - Oct 25 2021

web physique chimie 2e entraa nement progressif 2 8 downloaded from uniport edu ng on may 10 2023 by guest interactifs proposant pour chaque thème du programme des

**physique chimie 2e entraa nement progressif pdf uniport edu** - Feb 09 2023

web jul 20 2023 physique chimie 2e entraa nement progressif 1 9 downloaded from uniport edu ng on july 20 2023 by guest physique chimie 2e entraa nement

*physique 2ème sciences version 2 topnetschool* - Jul 02 2022

web résumé de cours sur l équilibre d un solide soumis à trois forces coplanaires et non parallèles série d exercices corrigés

sur l'équilibre d'un solide soumis à trois forces

**physique chimie 2e entreaa nement progressif pdf old vulkk** - Aug 03 2022

web physique chimie 2e entreaa nement progressif 3 3 nature and history in modern italy scarecrow press definitions of species and speciation structural aspects of

**physique chimie 2e entreaa nement progressif pdf uniport edu** - Sep 04 2022

web mar 25 2023 physique chimie 2e entreaa nement progressif 1 8 downloaded from uniport edu ng on march 25 2023 by guest physique chimie 2e entreaa nement

**free daily schedules in pdf format 30 templates calendarpedia** - Jul 06 2023

web daily schedule templates in pdf format undated 31 designs free to download print sponsored links practical and versatile daily schedule templates suitable for a wide variety of uses for more daily time planning tools see

**daily appointment schedule template** - Dec 31 2022

web download this daily appointment schedule template design in word google docs pdf apple pages format easily editable printable downloadable a schedule sheet that is perfect for setting appointments on a daily basis this is easy to edit and fully customizable to suit your preferences download this now for free pro download template word

**45 printable appointment schedule templates appointment calendars** - Oct 09 2023

web types of appointment schedule templates if you have a lot of appointments client dealings and business meetings using an appointment schedule template or an appointment book template will help you manage your schedule more effectively you can download the template here or make one on your own if you have the time and the

**free printable daily calendar templates smartsheet** - Jul 26 2022

web jan 2 2018 download and print free daily calendars including daily planners schedule and shift templates task checklists and more for personal and business use

**daily appointment calendar template pdfsimpli** - Apr 22 2022

web nov 15 2018 a daily appointment calendar template is a pdf form that can be filled out edited or modified by anyone online pdf portable document format is a file format that captures all the elements of a printed document as an electronic image that you can view navigate print or forward to someone else

*free and customizable appointment templates canva* - Mar 22 2022

web explore professionally designed appointment templates you can customize and share easily from canva

*appointment calendar template horizontal layout onplanners* - Sep 08 2023

web be sure with this layout with convenient landscape orientation you can easily manage your time and don't miss any of your important appointments choose the sheet size specify the week start day download the pdf file and print the

appointment calendar template to attach to your planner

*calendar templates microsoft create* - May 04 2023

web there are a variety of calendar template designs available explore simple calendars blank calendars content calendars or professional calendars you can even find calendars that provide space for notes and weekly or monthly calendar templates

**daily appointment calendar template** - Jun 05 2023

web instantly download daily appointment calendar template sample example in microsoft word doc google docs apple pages format available in a4 us letter sizes quickly customize easily editable printable

**daily appointment calendar excel template visual paradigm** - Mar 02 2023

web for those who are searching for a powerful yet simple solution for managing their schedule visual paradigm offers a professional daily appointment calendar excel template the template is designed to be user friendly allowing you to quickly add appointments meetings and tasks to your calendar

**free printable appointment schedule templates excel word pdf** - Sep 27 2022

web free printable appointment schedule templates easily plan and track your appointments with our free customizable templates download now and get organized

**the most useful appointment excel templates you can use** - Oct 29 2022

web mar 23 2023 here is a one page daily appointment calendar template you can alter the order of the days to feature for instance monday to sunday or sunday to saturday after adding your appointments you will automatically highlight your weekly outline

*free appointment calendar word template download template* - Jun 24 2022

web to help you avoid missing your appointments equip yourself with an appointment calendar in this article we list you below the fundamental four practices in making an effective appointment calendar in microsoft word 1 seize a calendar template primarily you will need a calendar to plot in

**free appointment calendar template download in word** - Feb 18 2022

web remind yourself of your monthly weekly and daily office scheduled activities with template net s free appointment calendar templates whether a day or an hourly meeting you can find customizable and printable templates compatible with various devices and editing apps download a blank or themed layout and become more

*appointment calendar templates vertex42* - Apr 03 2023

web the weekly appointment calendar prints on a single page and the appointment book template prints a week across two pages and is designed for double sided printing this template was designed for printing a blank appointment book using the duplex mode on your printer to print double sided you can then either bind the pages together to make a

**schedule design templates for excel microsoft create** - Feb 01 2023

web schedules time is on your side when you keep track of your schedule with customizable easy to use excel schedule templates scheduling everything from workday tasks to personal projects in excel is easy to set up and design to your liking with an intuitive template category

*daily appointment calendar week view excel template* - Nov 29 2022

web visual paradigm offers a highly customizable week view appointment calendar excel template that is perfect for busy professionals with its easy to use interface you can quickly add appointments meetings and tasks to

**download daily appointment calendar free excel template** - Aug 27 2022

web size 21 kb calendars template home calendars daily appointment calendar daily appointment calendar is a free excel template for management of daily appointments and meetings use this free excel template to organize your medical practice consultancy profession and more about daily appointment calendar excel template

*excel calendar templates microsoft support* - Aug 07 2023

web download a calendar template browse through the calendar templates choose an excel calendar template that is best for you click the download button on the template page open the template file in excel and then edit and save your calendar

**appointment book templates calendarlabs** - May 24 2022

web download our daily printable appointment book template in pdf format it lets you track your appointments for an entire week on a single sheet the template features a nine hour timeline divided into minutes making it easy to organize and manage your daily schedule

**shambhala the sacred path of the warrior amazon com** - Oct 29 2022

web shambhala the sacred path of the warrior mass market paperback 1 may 2007 a mass market edition of the classic guide to enlightened living that first presented the

**shambhala the sacred path of the warrior apple books** - Aug 27 2022

web he is the author of numerous books including shambhala the sacred path of the warrior cutting through spiritual materialism and the myth of freedom customer reviews 4 6

*shambhala the sacred path of the warrior amazon com tr* - May 04 2023

web mar 12 1988 interpreting the warrior's journey in modern terms Trungpa discusses such skills as synchronizing mind and body overcoming habitual behaviors relaxing within

**shambhala the sacred path of the warrior** - Nov 29 2022

web nov 7 2023 the sacred path is a series of teachings for those who have completed shambhala training levels I-V it introduces further practices to develop warriorship and

*shambhala the sacred path of the warrior goodreads* - Aug 07 2023

web shambhala the sacred path of the warrior by chogyam trungpa 9781611802320 penguinrandomhouse com books the classic guide to enlightened living that first

**today s book recommendation is shambhala the sacred** - Nov 17 2021

shambhala sacred path of the warrior amazon com - Mar 02 2023

web mar 27 2007 shambhala the sacred path of the warrior mass market paperback march 27 2007 there is a basic human wisdom that can help solve the world s

**shambhala the sacred path of the warrior amazon com** - Sep 08 2023

web mar 27 2007 it s what chögyam trungpa called the sacred path of the warrior the sacred warrior conquers the world not through violence or aggression but through

*shambhala the sacred path of the warrior shambhala classics* - Oct 17 2021

*shambhala the sacred path of the warrior wikipedia* - Oct 09 2023

shambhala the sacred path of the warrior is a book concerning the shambhala buddhist vision of founder chögyam trungpa the book discusses addressing personal and societal problems through the application of secular concepts such as basic goodness warriorship bravery and egolessness as a means toward the creation of what he calls enlightened society shambhala

**shambhala the sacred path of the warrior amazon ca** - Dec 31 2022

web jan 28 2003 there is a basic human wisdom that can help solve the world s problems it doesn t belong to any one culture or region or religious tradition though it can be found

**sacred path online continuing the path of the warrior shambhala** - Jul 26 2022

web shambhala the sacred path of the warrior trungpa chogyam free download borrow and streaming internet archive

*shambhala the sacred path of the warrior paperback* - Sep 27 2022

web shambhala the sacred path of the warrior by chögyam trungpa is one of our favourite books of all time and it is one that is as popular today as it was when it was first

**shambhala the sacred path of the warrior shambhala classics** - Apr 22 2022

web nov 9 2023 shambhala training ii the birth of the warrior friday february 23th 7 9pm mt saturday sunday february 24th 25th 9am 6pm mt this will be a hybrid

**shambhala the sacred path of the warrior book and card set** - Feb 01 2023

web jan 1 2005 he is the author of numerous books including shambhala the sacred path of the warrior cutting through spiritual materialism and the myth of freedom

**shambhala training ii birth of the warrior in person** - Dec 19 2021

**shambhala the sacred path of the warrior amazon com au** - Jun 24 2022

web there is a basic human wisdom that can help solve the world s problems it doesn t belong to any one culture or region or religious tradition though it can be found in many of them

shambhala the sacred path of the warrior - Jul 06 2023

web this timeless classic presents a vision of basic human wisdom that synchronizes the mind and body what chogyam trungpa called the sacred path of the warrior this discipline

**shambhala the sacred path of the warrior trungpa chogyam** - Mar 22 2022

web follow today s book recommendation is shambhala the sacred path of the warriors by chogyam trungpa alright listen up guys this book is like a gps for navigating life

**shambhala the sacred path of the warrior chogyam trungpa** - May 24 2022

web jan 1 1986 shambhala the sacred path of the warrior chogyam trungpa on amazon com free shipping on qualifying offers shambhala the sacred path of

**shambhala the sacred path of the warrior google** - Apr 03 2023

web oct 12 2004 4 6 out of 5 stars since ancient times the path of the enlightened warrior has been a powerful and inspiring ideal showing us how we can master the challenges

**shambhala the sacred path of the warrior amazon com** - Jan 20 2022

*shambhala the sacred path of the warrior amazon com* - Feb 18 2022

web dec 1 2009 chogyam trungpa shambhala the sacred path of the warrior shambhala classics kindle edition by chogyam trungpa author carolyn rose

**shambhala the sacred path of the warrior penguin random** - Jun 05 2023

web dec 1 2009 shambhala publications dec 1 2009 religion 216 pages the classic guide to enlightened living that first presented the buddhist path of the warrior to a