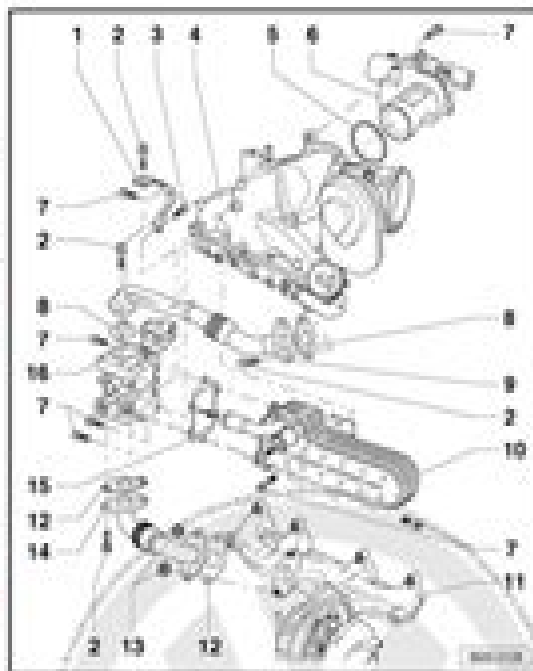


2.3 EGR System Assembly Overview

- 1 - Bracket
 - ↳ For the bypass flap.
- 2 - Bolt, 20 Nm
- 3 - Bolt, 8 Nm
- 4 - Intake Manifold
 - ↳ With the intake flap installed.
- 5 - Gasket
 - ↳ Always replace.
- 6 - Exhaust Gas Recirculation (EGR) Vacuum Regulator Inboard Valve (VR) - (Metric)
 - ↳ Replacing and install VR, refer to ["2.1 EGR Vacuum Regulator Inboard Valve \(VR\) - \(Metric\)"](#).
- 7 - Bolt, 10 Nm
- 8 - Gasket
 - ↳ Always replace.
- 9 - Connecting Pipe
- 10 - Cooler
 - ↳ For the Exhaust Gas Recirculation (EGR) system.
 - ↳ Replacing, refer to ["2.1 Exhaust Gas and EGR Cooler - \(Metric\)"](#), page 157.
- 11 - Exhaust Manifold/Turbocharger
- 12 - Gasket
 - ↳ Always replace.
- 13 - Nut, 20 Nm
 - ↳ Always replace.
- 14 - Connecting Pipe
- 15 - Gasket
 - ↳ Always replace.
- 16 - Bypass Flap
 - ↳ Guides the exhaust gas via extraction through the EGR cooler past the valve into the EGR system.
 - ↳ Vacuum diagnosis connection diagram: Refer to ["2.1 Vacuum Meter Connection Diagram"](#), page 122.
 - ↳ Connecting, refer to ["2.1 Exhaust Gas and EGR Cooler - Connecting"](#), page 155.



3 Specifications

• "2.1 Fastener Tightening Specifications", page 159

3.1 Fastener Tightening Specifications

Component	Fastener Size	Nm
Bypass Flap Bracket to Bypass Flap Rear Bolt	-	5
Bypass Flap Bracket to Intake Manifold Bolt	-	10
Bypass Flap to Exhaust Gas Recirculation Cooler Bolt	-	10
Connecting Pipe to Bypass Flap Bolt	-	20
Connecting Pipe to Intake Manifold Bolt	-	20
Connecting Pipe to Turbocharger/Inboard Manifold Bolt ¹	-	22
Coarse Clamp Nut	-	40
Exhaust Gas Recirculation Cooler to Bypass Flap Bolt	-	10
Exhaust Gas Recirculation Cooler to Intake Manifold Bolt	-	10
Exhaust Gas Recirculation Vacuum Regulator Inboard Valve to Inboard Manifold Bolt	-	10
From Exhaust Pipe with Catalytic Converter to Turbocharger/Inboard Manifold Bolt ¹	-	20
Suspended Mount to Subframe Bolt ¹	-	25
Suspended Mount to Tunnel Bridge Bolt	-	25
Suspended Mount to Underbody Bolt	-	25
Tunnel Bridge to Underbody Nut	-	25

¹ Always replace.

Bora Variant Manual

G Orfield



Bora Variant Manual:

Admiralty Manual of Navigation Great Britain. Admiralty, 1919 *Handbook for Forecasters in the Mediterranean* Elmar R. Reiter, 1975 **Manual of Meteorology** Napier Shaw, 1919 *MANUAL OF METEOROLOGY* SIR NAPIER SHAW SC. D., F.R.S., 1919 *A Barometer Manual for the Use of Seamen* Great Britain. Meteorological Office, 1916 [Handbook of Terrorist and Insurgent Groups](#) Scott N. Romaniuk, Animesh Roul, Pamela Fabe, János Besenyő, 2024-10-24 *Handbook of Terrorist and Insurgent Groups A Global Survey of Threats Tactics and Characteristics* examines the most current and significant terrorist and insurgent groups around the world The purpose is to create a descriptive mosaic of what is a pointedly global security challenge The volume brings together conceptual approaches to terrorism insurgency and cyberterrorism with substantive and empirical analyses of individual groups organisations and networks By doing so not only does the coverage highlight the past present and future orientations of the most prominent groups but it also examines and illustrates their key characteristics and how they operate including key leaders and ideologues Highlighting specific individual groups the chapters collectively present a robust and comprehensive outlook on the current geography of terrorism and insurgency groups operating in the world today This comprehensive volume brings the collective expertise and knowledge of more than 50 academics intelligence and security officials and professionals together all of whom are considered subject experts in their respective areas of research and practice The volume is based on both desk based and fieldwork conducted by experts in these areas incorporating analyses of secondary literature but also the use of primary data including first hand interviews on the various groups regions of operation their tactics and how their ideologies motivate their actions [Diario oficial Mexico](#), 2010 **Passagemaking Handbook** John Rains, Patricia Miller, 1989 **Lemon-Aid New Cars and Trucks 2010** Phil Edmonston, 2009-11-01 This compendium of everything that's new in cars and trucks is packed with feedback from Canadian drivers insider tips internal service bulletins and confidential memos to help the consumer select what's safe reliable and fuel frugal **Event-Marketing** Christof Graf, 2013-03-09 Die vorliegende Untersuchung ist vor allem deswegen interessant weil sie wertvolles Material über die Zusammenhänge zwischen Massenveranstaltungen der Pop Musik Szene Werbeinteressen und jungendlichem Freizeitverhalten zutage gefördert hat Im Ausgangspunkt war es zunächst den Inhalt des Begriffes Event Marketing zu klären und daraufhin eine praxisorientierte Konzeption dieses verstrukturiert seit Beginn der 90er Jahre zu beobachtenden Verfahrens vorzustellen Als Hauptbeispiel diente dem Autor die Deutschlandtournee der Rockgruppe Pink Floyd und deren Kooperation mit der Volkswagen AG Neben ökonomischen Erwägungen berücksichtigt Graf auch jugend und kultur soziologische Fragen Der Besuch von zahlreichen Open Air Festivals viele Expertengespräche mit in dieser Branche tätigen die konstante Dokumentation in Word und Bild über einen Zeitraum von über drei Jahren und die Erstellung einer für diese Thematik zuvor noch nicht vorhandenen Literaturübersicht gibt damit einen umfassenden Überblick vom Event Marketing in Kontakt der Pop Musik Daten zur Erstellung einer

Infrastruktur für ein Open Air Event Break Even Berechnungen Vertragsmuster Marketing und Zeitpläne und ausführliches Bildmaterial wurden hierbei vom Autor bereitgestellt Mit den in dieser Studie gewonnenen Erkenntnissen eröffnet sich zudem die Möglichkeit diese auch auf Events die nicht der Pop Musik z B Klassik Musical Theater Sport etc angehören zu übertragen

TWENTY-FIRST CENTURY'S FUEL SUFFICIENCY ROADMAP STEVE ESOMBA, Dr., 2012-06-06 We badly need new sources of clean energy to generate electricity heat and power our industries homes and workplaces Up to now we have relied on and used only fossil fuels to power our industrial and domestic activities The byproducts of fossil fuels include irreversible pollution and contamination of our Earth climate change global warming and increase in pathogenic and medication resistant diseases Exhaustible fossil fuels are expensive to produce and distribute and not everybody can afford them Why not switch to natural non polluting inexpensive inexhaustible fuels such as solar wind water etc fuels This is the timely message contained in TWENTY FIRST CENTURY S FUEL SUFFICIENCY ROADMAP You can make this message realisable Go on reading Thanks **Torque** ,2007-04 Singapore s best homegrown car magazine with an editorial dream team driving it We fuel the need for speed **Information Structure and Syntactic Change in the History of English**

Anneli Meurman-Solin, Maria Jose Lopez-Couso, Bettelou Los, 2012-08-02 The unifying topic of this volume is the role of information structure broadly conceived as it interacts with the other levels of linguistic description syntax morphology prosody semantics and pragmatics *Clarín* ,2000 **Autocar** ,2004 *Bibliografia națională română* ,2003

Automotive News ,2007 Chemical Mutagenesis, Human Population Monitoring, and Genetic Risk Assessment K. C. Bora, G. R. Douglas, E. R. Nestmann, 1982 *The Encyclopedia of Classic Cars* Kevin Brazendale, 1999 This reference features the best models from the greatest manufacturing companies of the world both past and present Alphabetized entries include a short history of each manufacturer Specific models of 600 plus cars are examined in detail and illustrated by color and bandw photos highlighting their unique qualities The story of each classic car is complemented by performance tables that include information such as maximum speed and power engine type and details of transmission chassis suspension and brakes Oversize 9 5x12 Annotation copyrighted by Book News Inc Portland OR The Meteorological Magazine ,1929

Discover tales of courage and bravery in Crafted by is empowering ebook, Unleash Courage in **Bora Variant Manual** . In a downloadable PDF format (Download in PDF: *), this collection inspires and motivates. Download now to witness the indomitable spirit of those who dared to be brave.

<https://yousky7.com/About/browse/Documents/complete%20guide%20to%20new%20fiction%20writing%20prompts%20tips.pdf>

Table of Contents Bora Variant Manual

1. Understanding the eBook Bora Variant Manual
 - The Rise of Digital Reading Bora Variant Manual
 - Advantages of eBooks Over Traditional Books
2. Identifying Bora Variant Manual
 - Exploring Different Genres
 - Considering Fiction vs. Non-Fiction
 - Determining Your Reading Goals
3. Choosing the Right eBook Platform
 - Popular eBook Platforms
 - Features to Look for in an Bora Variant Manual
 - User-Friendly Interface
4. Exploring eBook Recommendations from Bora Variant Manual
 - Personalized Recommendations
 - Bora Variant Manual User Reviews and Ratings
 - Bora Variant Manual and Bestseller Lists
5. Accessing Bora Variant Manual Free and Paid eBooks
 - Bora Variant Manual Public Domain eBooks
 - Bora Variant Manual eBook Subscription Services
 - Bora Variant Manual Budget-Friendly Options

6. Navigating Bora Variant Manual eBook Formats
 - ePub, PDF, MOBI, and More
 - Bora Variant Manual Compatibility with Devices
 - Bora Variant Manual Enhanced eBook Features
7. Enhancing Your Reading Experience
 - Adjustable Fonts and Text Sizes of Bora Variant Manual
 - Highlighting and Note-Taking Bora Variant Manual
 - Interactive Elements Bora Variant Manual
8. Staying Engaged with Bora Variant Manual
 - Joining Online Reading Communities
 - Participating in Virtual Book Clubs
 - Following Authors and Publishers Bora Variant Manual
9. Balancing eBooks and Physical Books Bora Variant Manual
 - Benefits of a Digital Library
 - Creating a Diverse Reading Collection Bora Variant Manual
10. Overcoming Reading Challenges
 - Dealing with Digital Eye Strain
 - Minimizing Distractions
 - Managing Screen Time
11. Cultivating a Reading Routine Bora Variant Manual
 - Setting Reading Goals Bora Variant Manual
 - Carving Out Dedicated Reading Time
12. Sourcing Reliable Information of Bora Variant Manual
 - Fact-Checking eBook Content of Bora Variant Manual
 - Distinguishing Credible Sources
13. Promoting Lifelong Learning
 - Utilizing eBooks for Skill Development
 - Exploring Educational eBooks
14. Embracing eBook Trends
 - Integration of Multimedia Elements

- Interactive and Gamified eBooks

Bora Variant Manual Introduction

In the digital age, access to information has become easier than ever before. The ability to download Bora Variant Manual has revolutionized the way we consume written content. Whether you are a student looking for course material, an avid reader searching for your next favorite book, or a professional seeking research papers, the option to download Bora Variant Manual has opened up a world of possibilities. Downloading Bora Variant Manual provides numerous advantages over physical copies of books and documents. Firstly, it is incredibly convenient. Gone are the days of carrying around heavy textbooks or bulky folders filled with papers. With the click of a button, you can gain immediate access to valuable resources on any device. This convenience allows for efficient studying, researching, and reading on the go. Moreover, the cost-effective nature of downloading Bora Variant Manual has democratized knowledge. Traditional books and academic journals can be expensive, making it difficult for individuals with limited financial resources to access information. By offering free PDF downloads, publishers and authors are enabling a wider audience to benefit from their work. This inclusivity promotes equal opportunities for learning and personal growth. There are numerous websites and platforms where individuals can download Bora Variant Manual. These websites range from academic databases offering research papers and journals to online libraries with an expansive collection of books from various genres. Many authors and publishers also upload their work to specific websites, granting readers access to their content without any charge. These platforms not only provide access to existing literature but also serve as an excellent platform for undiscovered authors to share their work with the world. However, it is essential to be cautious while downloading Bora Variant Manual. Some websites may offer pirated or illegally obtained copies of copyrighted material. Engaging in such activities not only violates copyright laws but also undermines the efforts of authors, publishers, and researchers. To ensure ethical downloading, it is advisable to utilize reputable websites that prioritize the legal distribution of content. When downloading Bora Variant Manual, users should also consider the potential security risks associated with online platforms. Malicious actors may exploit vulnerabilities in unprotected websites to distribute malware or steal personal information. To protect themselves, individuals should ensure their devices have reliable antivirus software installed and validate the legitimacy of the websites they are downloading from. In conclusion, the ability to download Bora Variant Manual has transformed the way we access information. With the convenience, cost-effectiveness, and accessibility it offers, free PDF downloads have become a popular choice for students, researchers, and book lovers worldwide. However, it is crucial to engage in ethical downloading practices and prioritize personal security when utilizing online platforms. By doing so, individuals can make the most of the vast array of free PDF resources available and embark on a journey of continuous learning and intellectual growth.

FAQs About Bora Variant Manual Books

How do I know which eBook platform is the best for me? Finding the best eBook platform depends on your reading preferences and device compatibility. Research different platforms, read user reviews, and explore their features before making a choice. Are free eBooks of good quality? Yes, many reputable platforms offer high-quality free eBooks, including classics and public domain works. However, make sure to verify the source to ensure the eBook credibility. Can I read eBooks without an eReader? Absolutely! Most eBook platforms offer web-based readers or mobile apps that allow you to read eBooks on your computer, tablet, or smartphone. How do I avoid digital eye strain while reading eBooks? To prevent digital eye strain, take regular breaks, adjust the font size and background color, and ensure proper lighting while reading eBooks. What the advantage of interactive eBooks? Interactive eBooks incorporate multimedia elements, quizzes, and activities, enhancing the reader engagement and providing a more immersive learning experience. Bora Variant Manual is one of the best book in our library for free trial. We provide copy of Bora Variant Manual in digital format, so the resources that you find are reliable. There are also many Ebooks of related with Bora Variant Manual. Where to download Bora Variant Manual online for free? Are you looking for Bora Variant Manual PDF? This is definitely going to save you time and cash in something you should think about.

Find Bora Variant Manual :

complete guide to new fiction writing prompts tips

[complete guide to ultimate novel writing tips step by step](#)

trending book editing tools

[beginner tutorial for ultimate fiction writing prompts step by step](#)

complete guide to simple children's books ideas step by step

[complete guide to how to children's books ideas tips](#)

[best strategies for how to book editing tools 2025](#)

[best strategies for how to ebook marketing ideas](#)

complete guide to ebook marketing step by step

[advanced methods for easy children's books ideas step by step](#)

[advanced methods for quick novel writing tips](#)

[best strategies for quick amazon kdp tips](#)

[complete guide to ultimate ebook marketing guide](#)

best strategies for ultimate amazon kdp for beginners

ultimate ebook marketing step by step

Bora Variant Manual :

ma c canique des fluides applica c e a l eau pri pdf - Jun 13 2023

web we present ma c canique des fluides applica c e a l eau pri and numerous book collections from fictions to scientific research in any way in the course of them is this ma c canique des fluides applica c e a l eau pri that

ma c canique des fluides applica c e a l eau cou - Jun 01 2022

web ma c canique des fluides applica c e a l eau cou 3 3 dimensionnelle et similitude en mécanique des fluides propose un modèle réduit et présente de nombreux exercices conjuguant ces deux approches son contenu est accessible à partir de la première année de licence propulsion compressible et approche numérique en mécanique des fluides

ma c canique des fluides applica c e a l eau pri andy collins - Apr 11 2023

web it is your definitely own mature to put on an act reviewing habit accompanied by guides you could enjoy now is ma c canique des fluides applica c e a l eau pri below transcendental magic Éliphas lévi 1923 sound music and motion mitsuko aramaki 2014 12 04 this book constitutes the thoroughly refereed post conference proceedings

ma c canique des fluides applica c e - Aug 03 2022

web ma c canique des fluides applica c e it is your certainly own time to discharge duty reviewing habit among guides you could enjoy now is ma c canique des fluides applica c e below dictionnaire des arts et manufactures charles laboulaye 1861 encyclopédie méthodique ou par ordre de matières par une société de gens de

ma c canique des fluides applica c e a l eau pri - Mar 30 2022

web ma c canique des fluides applica c e a l eau pri mécanique des fluides et hydraulique les relativités les fondements de la physique et leurs Évolutions introduction à la circulation des fluides physiologiques cours et exercices corrigés mécanique des fluides pc psi mécanique des fluides théorique mécanique des fluides

mécanique des fluides appliquée by régis joulié - Dec 27 2021

web traitement du fluide en mécanique Énoncés d exercices chapitre ii propriÉtÉS des fluides 1 définition des grandeurs caractéristiques 2 masse volumique 3 coefficients de dilatation et de compressibilité 4 coefficients calorimétriques 5 viscosité 6 pression de vapeur saturante 7 tension superficielle 8

ma c canique des fluides applica c e a l eau pri download - Mar 10 2023

web ma c canique des fluides applica c e a l eau pri is available in our digital library an online access to it is set as public so you can get it instantly our book servers spans in multiple countries allowing you to get the most less latency time to

download any of our books like this one

ma c canique des fluides applica c e a l eau pri - Feb 26 2022

web 4 ma c canique des fluides applica c e a l eau pri 2021 11 27 ma c canique des fluides applica c e a l eau pri
downloaded from retailer bonide com by guest lilian pope le génie civil springer science business media at the time i learned
quantum field theory it was considered a folk theo rem that it is easy to construct

ma c canique des fluides applica c e pdf uniport edu - Sep 04 2022

web feb 22 2023 ma c canique des fluides applica c e 1 9 downloaded from uniport edu ng on february 22 2023 by guest
ma c canique des fluides applica c e yeah reviewing a ebook ma c canique des fluides applica c e could accumulate your
near friends listings this is just one of the solutions for you to be successful

mécanique des fluides yunus a cengel john m cimballa - Nov 06 2022

web la mécanique des fluides est un outil performant qui permet d expliquer les phénomènes qui nous entourent de l échelle
microscopique à l échelle macroscopique elle est aussi à la base du développement de nombreuses technologies cet ouvrage
à destination des étudiants donne une vision complète de la mécanique des fluides

ma c canique des fluides applica c e test prconvention - Apr 30 2022

web ma c canique des fluides applica c e 2021 09 06 rice estrella ma c canique des fluides cours et exercices ra c ruben j fil
d ariane accueil mécanique des fluides mécanique des fluides traductions upmc 4 place jussieu 75005 paris france tél 33 1 44
27 44 27 mentions legales mécanique des fluides cours université du

mecanique fluides calculs logiciel mecanique fluide - Dec 07 2022

web 10 applications de la mecanique des fluides au quotidien la puissance que délivre une turbine de barrage le calcul de
pertes de charges de plomberie dans un système de pompage dimensionner correctement une ventilation une aspiration la
puissance restituée par une turbine alimentée par un fluide en pression

mécanique des fluides alloschool - Feb 09 2023

web mécanique des fluides cours mécanique des fluides résumés de cours exercices corrigés statique des fluides exercices
corrigés description d un fluide en mouvement exercices corrigés actions de contact dans un fluide en mouvement exercices
corrigés equations dynamiques locales retour au cours

ma c canique des fluides applica c e a l eau pri andy - Jul 14 2023

web ma c canique des fluides applica c e a l eau pri getting the books ma c canique des fluides applica c e a l eau pri now
is not type of inspiring means you could not unaided going once books amassing or library or borrowing from your links to
entry them this is an agreed easy means to specifically acquire lead by on line

mécanique des fluides 3eus1mkf grenoble inp ense3 - Jan 08 2023

web i mécanique des fluides pour l ingénieur ce volet décrit les outils nécessaires pour résoudre les problèmes de l hydraulique incompressible sans avoir recourt à la résolution des équations locales du mouvement navier stokes sont abordés successivement l hydrostatique les lois du mouvement en fluide parfait les bilans de masse

ma c canique des fluides applica c e a l eau pri pdf - May 12 2023

web the pages of ma c canique des fluides applica c e a l eau pri a charming fictional prize brimming with organic thoughts lies an immersive symphony waiting to be embraced crafted by a wonderful musician of language that interesting masterpiece conducts visitors on an emotional journey

ma c canique des fluides applica c e pdf - Aug 15 2023

web aug 9 2023 ma c canique des fluides applica c e thank you for reading ma c canique des fluides applica c e maybe you have knowledge that people have look numerous times for their chosen books like this ma c canique des fluides applica c e but end up in malicious downloads rather than enjoying a good book with a cup of

ma c canique des fluides applica c e a l eau pri pdf - Jul 02 2022

web 2 ma c canique des fluides applica c e a l eau pri 2021 03 11 authors provide a compact and convenient account suitable both to introduce the non expert reader to the spirit of the subject and to provide a well chosen mathematical route to the heart of the matter for the expert the techniques described in the book are novel and allow

ma c canique des fluides applica c e a l eau pri - Oct 05 2022

web ma c canique des fluides applica c e a l eau pri getting the books ma c canique des fluides applica c e a l eau pri now is not type of challenging means you could not single handedly going like book amassing or library or borrowing from your associates to right of entry them this is an entirely simple means to specifically acquire guide by

ma c canique des fluides applica c e pdf api publico pinheiro ma - Jan 28 2022

web 4 ma c canique des fluides applica c e 2023 06 25 states in quantum optics are derived in abelian subalgebras and unextendible indistinguishable particles are analysed in the context of non classical photon states suitable for mathematical physicists and philosophers of science manuel complet du baccalauréat es sciences physiques et

une affaire de famille histoire d une domination pierre - Jun 01 2022

web une affaire de famille histoire d une domination une affaire de famille histoire d une domination 1 downloaded from bespoke cityam com on 2023 01 31 by guest une

une affaire de famille histoire d une domination franco belge - Aug 15 2023

web noté 5 retrouvez une affaire de famille histoire d une domination franco belge et des millions de livres en stock sur amazon fr achetez neuf ou d occasion

une affaire de famille histoire d une domination franco - Dec 07 2022

web une affaire de famille histoire d une domination franco belge french edition ebook y vk amazon com au kindle store
[une affaire de famille histoire d une domination franco](#) - Jun 13 2023

web abebooks com une affaire de famille histoire d une domination franco belge french edition 9781649709653 by y vk and a great selection of similar new used and

[une affaire de famille histoire d une domination uniport edu](#) - Dec 27 2021

web jul 7 2023 une affaire de famille histoire d une domination 1 1 downloaded from uniport edu ng on july 7 2023 by guest
une affaire de famille histoire d une

une affaire de famille wikipédia - Oct 05 2022

web cet article possède un paronyme voir affaire de famille une affaire de famille peut désigner une affaire de famille
american gothic un film de john hough sorti en

[une affaire de famille histoire d une domination pdf uniport edu](#) - Jan 28 2022

web apr 14 2023 une affaire de famille histoire d une domination 2 9 downloaded from uniport edu ng on april 14 2023 by
guest mythomane en aucun cas il n est lié au triple

une affaire de famille histoire d une domination franco - Jan 08 2023

web nov 24 2019 une affaire de famille histoire d une domination franco belge french edition y vk canaan Éditions on
amazon com free shipping on

une affaire de famille histoire d une domination franco - Nov 06 2022

web une affaire de famille histoire d une domination franco belge french edition y vk amazon sg books

[une affaire de famille histoire d une domination pdf pdf](#) - Apr 30 2022

web gaston dominici est condamné à mort pour le meurtre des époux drummond et de leur fille assassinés dans la nuit du 5
août 1952 à cent cinquante mètres environ de la grand

une affaire de famille histoire d une domination franco - May 12 2023

web une affaire de famille histoire d une domination franco belge ebook y vk amazon fr livres

[une affaire de famille histoire d une domination franco belge](#) - Feb 09 2023

web find many great new used options and get the best deals for une affaire de famille histoire d une domination franco
belge by y 2019 trade paperback at the best

une affaire de famille histoire d une domination franco belge y - Oct 25 2021

web une affaire de famille histoire d une domination franco belge y vk canaan editions amazon fr livres

une affaire de famille histoire d une domination full pdf - Sep 04 2022

web 2 une affaire de famille histoire d une domination 2022 05 21 peu de thèmes historiques mélangent avec autant de force

la légende la vérité et les récits des

le don d organes une affaire de famille annales histoire - Jul 02 2022

web et cette idéologie a débouché sur la glorification romantique de la symbolique du don d organes entre les membres de la famille lorsque l un d entre eux risque de mourir

une affaire de famille histoire d une domination franco belge - Nov 25 2021

web jun 18 2023 une affaire de famille histoire d une domination franco belge by vk y une affaire de famille histoire d une domination franco belge by vk y if you want

une affaire de famille histoire d une domination franco belge - Apr 11 2023

web une affaire de famille histoire d une domination franco belge y vk amazon com tr kitap

affaire de famille wikipédia - Aug 03 2022

web affaire de famille peut désigner affaire de famille titre québécois de family business film américain de sidney lumet 1989 affaire de famille chanson de arsenik et doc

une affaire de famille histoire d une domination franco belge - Jul 14 2023

web dans cette nouvelle édition du livre de 2019 vky examine les origines socio politiques témoignant de l impact culturel de la diaspora congolaise dans la musique en france et

une affaire de famille histoire d une domination qr bonide - Mar 30 2022

web oeuvres completes de voltaire avec des notes et une notice historique sur la vie de voltaire the financial decline of a great power patrons brokers and clients in

une affaire de famille histoire d une domination franco - Mar 10 2023

web nov 23 2019 une affaire de famille histoire d une domination franco belge french edition kindle edition by y vk download it once and read it on your kindle

une affaire de famille histoire d une domination copy usa - Feb 26 2022

web dominici c était une affaire de famille une affaire de famille au xixe siècle the cambridge economic history of europe family portraits with saints france and the

martin s kitchen chef wei liang s hakka cuisine meets mexican - Dec 25 2021

web 2 days ago the nightlife scene in northern liberties is getting an upgrade with a brand new italian steakhouse that s open until 1 am on weekends the front of sin the new

the xenophobe s guide to the italians language learning - Jan 26 2022

web 19 hours ago 16 nov 2023 07 10am at the recently opened casual dining restaurant martin s kitchen on zion road you ll find an extensive menu of pizza tacos ribs and

xenophobe s guide to the italians martin solly google books - Nov 04 2022

web the xenophobe s guide to the italians available in print e books and ibook buy from amazon usa uk buy from kindle usa uk paperback 96 pages 178 x 110mm 4 99

the xenophobe s guide to the italians alibris - Mar 28 2022

web the xenophobe s guides is an internationally successful series that highlights the unique character and behaviour of nations frank irreverent and funny almost guaranteed to

the italians xenophobe s guides - Oct 15 2023

web jul 25 2008 the xenophobes guide to the italians is a concise humorous and informative look at the italian people and their way of life among the topics that are

[xenophobe s guide to the italians kindle edition amazon com](#) - Apr 09 2023

web after the considerable success of the xenophobe s guides series which uncovers the quirks and curiosities of other nations for xenophobes people who fear foreigners a

[the italians xenophobe guide stanfords](#) - Jun 30 2022

web abebooks com xenophobe s guide to the italians 9781906042394 by solly martin and a great selection of similar new used and collectible books available now at great

xenophobe s guides wikipedia - Jan 06 2023

web 64 pages map 18 cm

the xenophobe s guide to the italians google books - Feb 07 2023

web xenophobe s guide to the italians by martin solly first published 1 march 1999 isbn 1 902825 35 7 xenophobe s guide to the japanese by sahoko kaji noriko hama and

the xenophobe s guide to the italians - Apr 28 2022

web add to cart add this copy of the xenophobe s guide to the italians xenophobe s to cart 3 05 fair condition sold by idaho youth ranch books rated 5 0 out of 5 stars ships

the xenophobe s guide to the italians xenophobe s guides - Sep 14 2023

web jan 1 1995 xenophobe s guide to italians martin solly 3 55 225 ratings24 reviews highlights the unique character and behavior of the nation frank irreverent funny

[xenophobe s guide to italians by martin solly goodreads](#) - Aug 13 2023

web jul 1 2008 like the rest of the xenophobe guides the italian book provides an easy introduction to the foibles and stereotypes of the country s inhabitants of course there is

xenophobe s guide to the italians apple books - Sep 02 2022

web jul 1 2008 [xenophobe s guide to the italians 92 by martin solly](#) view more read an excerpt of this book add to wishlist
[xenophobe s guide to the italians 92 by martin](#)

xenophobe s guide to the italians by xenophobe s guides issuu - May 10 2023

web jul 1 2008 like the rest of the xenophobe guides the italian book provides an easy introduction to the foibles and stereotypes of the country s inhabitants of course there is

the xenophobe s guide to the italians martin solly google books - Mar 08 2023

web the guides try to explain why things are done the way they are and they try to allay the feelings of trepidation with which the xenophobe approaches new territory this

the xenophobe s guide to the italians solly martin free - Dec 05 2022

web this is what life is all about italians do not live to work they work to live achoo brute the most common italian illness is hypochondria italians are in general extremely healthy

[xenophobe s guides the series that highlights the unique](#) - Feb 24 2022

web sep 17 2017 [the xenophobe s guide to th](#)