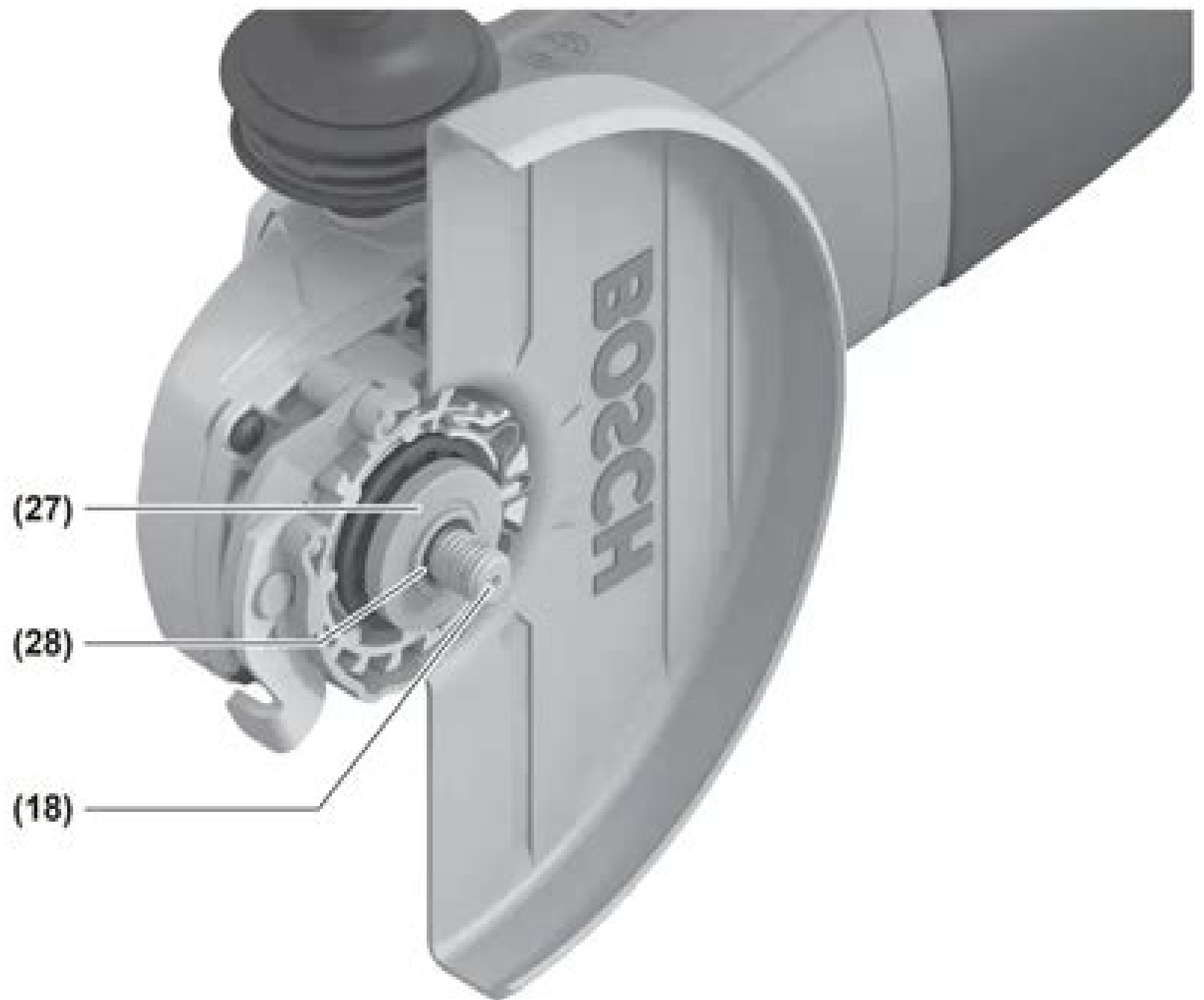


C



(27)

(28)

(18)

Bosch Instruction Manual

WJ Hussar



Bosch Instruction Manual:

Technical Manuals for German Vehicles, Volume 2, Sonderkraftfahrzeug Charles Lemons,2013-03-25 This book contains a listings of technical manuals for the repair and maintenance of German World War II armored vehicles Each vehicle is listed by its Sd Kfz number followed by a list of the known manuals which you would require to repair and maintain both the vehicle and the equipment it would carry including radios weapons and other equipment This not only includes the military manuals but also pamphlets announcements and any civilian company manuals used to maintain on board equipment Manuals include those published for the Heer and Luftwaffe All manual titles have been translated into American English

Washing Machine WFR2860 and WFR2460 Bosch,2001 The text provides user instructions for a Bosch washing machine **Classixx 1200, Classixx 1000 [washing Machine]** Bosch, The text provides operating instructions for a Bosch washing machine Instruction Manual and Installation Instructions Bosch, Instruction manual for the Bosch washing machine Maxx WFL 2450 *Analysis of the Automechanic's Trade with Job Instruction Sheets* Melvin Sowles Lewis,1925 *Motor Age* ,1910 **Motor Industry Management** ,2002-02 **California. Court of Appeal (2nd Appellate District). Records and Briefs** California (State)., Received document entitled EXHIBITS TO PETITION FOR WRIT Automotive Repair John Calvin Wright,1922 The Antique Automobile ,1966 Includes a tenth anniversary issue dated Nov 1945 **Motor Record** ,1929 Including Automobile buyers reference **Monthly Catalog of United States Government Publications** United States. Superintendent of Documents,1983 February issue includes Appendix entitled Directory of United States Government periodicals and subscription publications September issue includes List of depository libraries June and December issues include semiannual index **American Book Trade Manual** ,1919 Includes lists of publishers booksellers and private book collectors **Monthly Catalogue, United States Public Documents** ,1983 **The High School Teacher** ,1925 **Exxxel 1100, Exxxel 1000 [washing Machine]** Bosch, The text provides operating instructions for a Bosch washing machine *The Official Journal (patents)* ,1937 **Ignition, Valve Timing and Automobile Electric Systems (self-starting and Lighting) a Comprehensive Manual of Self-instruction on the Operation, Adjustment and Repair of Magnetos, Battery Ignition Systems, and Self-starting Mechanisms** John B. Rathbun,1920 **Navy Training Courses** United States. Bureau of Naval Personnel,1954 *Manual of the Exanthematic Method of Cure* John Linden,1918

If you are craving such a referred **Bosch Instruction Manual** books that will meet the expense of you worth, acquire the totally best seller from us currently from several preferred authors. If you want to entertaining books, lots of novels, tale, jokes, and more fictions collections are in addition to launched, from best seller to one of the most current released.

You may not be perplexed to enjoy all book collections Bosch Instruction Manual that we will no question offer. It is not regarding the costs. Its just about what you habit currently. This Bosch Instruction Manual, as one of the most effective sellers here will definitely be in the course of the best options to review.

<https://yousky7.com/files/browse/Documents/Casio%20Illuminator%20Manual%20Portugues.pdf>

Table of Contents Bosch Instruction Manual

1. Understanding the eBook Bosch Instruction Manual
 - The Rise of Digital Reading Bosch Instruction Manual
 - Advantages of eBooks Over Traditional Books
2. Identifying Bosch Instruction Manual
 - Exploring Different Genres
 - Considering Fiction vs. Non-Fiction
 - Determining Your Reading Goals
3. Choosing the Right eBook Platform
 - Popular eBook Platforms
 - Features to Look for in an Bosch Instruction Manual
 - User-Friendly Interface
4. Exploring eBook Recommendations from Bosch Instruction Manual
 - Personalized Recommendations
 - Bosch Instruction Manual User Reviews and Ratings
 - Bosch Instruction Manual and Bestseller Lists
5. Accessing Bosch Instruction Manual Free and Paid eBooks

- Bosch Instruction Manual Public Domain eBooks
- Bosch Instruction Manual eBook Subscription Services
- Bosch Instruction Manual Budget-Friendly Options
- 6. Navigating Bosch Instruction Manual eBook Formats
 - ePub, PDF, MOBI, and More
 - Bosch Instruction Manual Compatibility with Devices
 - Bosch Instruction Manual Enhanced eBook Features
- 7. Enhancing Your Reading Experience
 - Adjustable Fonts and Text Sizes of Bosch Instruction Manual
 - Highlighting and Note-Taking Bosch Instruction Manual
 - Interactive Elements Bosch Instruction Manual
- 8. Staying Engaged with Bosch Instruction Manual
 - Joining Online Reading Communities
 - Participating in Virtual Book Clubs
 - Following Authors and Publishers Bosch Instruction Manual
- 9. Balancing eBooks and Physical Books Bosch Instruction Manual
 - Benefits of a Digital Library
 - Creating a Diverse Reading Collection Bosch Instruction Manual
- 10. Overcoming Reading Challenges
 - Dealing with Digital Eye Strain
 - Minimizing Distractions
 - Managing Screen Time
- 11. Cultivating a Reading Routine Bosch Instruction Manual
 - Setting Reading Goals Bosch Instruction Manual
 - Carving Out Dedicated Reading Time
- 12. Sourcing Reliable Information of Bosch Instruction Manual
 - Fact-Checking eBook Content of Bosch Instruction Manual
 - Distinguishing Credible Sources
- 13. Promoting Lifelong Learning
 - Utilizing eBooks for Skill Development

- Exploring Educational eBooks
14. Embracing eBook Trends
- Integration of Multimedia Elements
 - Interactive and Gamified eBooks

Bosch Instruction Manual Introduction

Free PDF Books and Manuals for Download: Unlocking Knowledge at Your Fingertips In today's fast-paced digital age, obtaining valuable knowledge has become easier than ever. Thanks to the internet, a vast array of books and manuals are now available for free download in PDF format. Whether you are a student, professional, or simply an avid reader, this treasure trove of downloadable resources offers a wealth of information, conveniently accessible anytime, anywhere. The advent of online libraries and platforms dedicated to sharing knowledge has revolutionized the way we consume information. No longer confined to physical libraries or bookstores, readers can now access an extensive collection of digital books and manuals with just a few clicks. These resources, available in PDF, Microsoft Word, and PowerPoint formats, cater to a wide range of interests, including literature, technology, science, history, and much more. One notable platform where you can explore and download free Bosch Instruction Manual PDF books and manuals is the internet's largest free library. Hosted online, this catalog compiles a vast assortment of documents, making it a veritable goldmine of knowledge. With its easy-to-use website interface and customizable PDF generator, this platform offers a user-friendly experience, allowing individuals to effortlessly navigate and access the information they seek. The availability of free PDF books and manuals on this platform demonstrates its commitment to democratizing education and empowering individuals with the tools needed to succeed in their chosen fields. It allows anyone, regardless of their background or financial limitations, to expand their horizons and gain insights from experts in various disciplines. One of the most significant advantages of downloading PDF books and manuals lies in their portability. Unlike physical copies, digital books can be stored and carried on a single device, such as a tablet or smartphone, saving valuable space and weight. This convenience makes it possible for readers to have their entire library at their fingertips, whether they are commuting, traveling, or simply enjoying a lazy afternoon at home. Additionally, digital files are easily searchable, enabling readers to locate specific information within seconds. With a few keystrokes, users can search for keywords, topics, or phrases, making research and finding relevant information a breeze. This efficiency saves time and effort, streamlining the learning process and allowing individuals to focus on extracting the information they need. Furthermore, the availability of free PDF books and manuals fosters a culture of continuous learning. By removing financial barriers, more people can access educational resources and pursue lifelong learning, contributing to personal growth and professional development. This democratization of knowledge promotes intellectual curiosity and empowers

individuals to become lifelong learners, promoting progress and innovation in various fields. It is worth noting that while accessing free Bosch Instruction Manual PDF books and manuals is convenient and cost-effective, it is vital to respect copyright laws and intellectual property rights. Platforms offering free downloads often operate within legal boundaries, ensuring that the materials they provide are either in the public domain or authorized for distribution. By adhering to copyright laws, users can enjoy the benefits of free access to knowledge while supporting the authors and publishers who make these resources available. In conclusion, the availability of Bosch Instruction Manual free PDF books and manuals for download has revolutionized the way we access and consume knowledge. With just a few clicks, individuals can explore a vast collection of resources across different disciplines, all free of charge. This accessibility empowers individuals to become lifelong learners, contributing to personal growth, professional development, and the advancement of society as a whole. So why not unlock a world of knowledge today? Start exploring the vast sea of free PDF books and manuals waiting to be discovered right at your fingertips.

FAQs About Bosch Instruction Manual Books

How do I know which eBook platform is the best for me? Finding the best eBook platform depends on your reading preferences and device compatibility. Research different platforms, read user reviews, and explore their features before making a choice. Are free eBooks of good quality? Yes, many reputable platforms offer high-quality free eBooks, including classics and public domain works. However, make sure to verify the source to ensure the eBook credibility. Can I read eBooks without an eReader? Absolutely! Most eBook platforms offer web-based readers or mobile apps that allow you to read eBooks on your computer, tablet, or smartphone. How do I avoid digital eye strain while reading eBooks? To prevent digital eye strain, take regular breaks, adjust the font size and background color, and ensure proper lighting while reading eBooks. What the advantage of interactive eBooks? Interactive eBooks incorporate multimedia elements, quizzes, and activities, enhancing the reader engagement and providing a more immersive learning experience. Bosch Instruction Manual is one of the best book in our library for free trial. We provide copy of Bosch Instruction Manual in digital format, so the resources that you find are reliable. There are also many Ebooks of related with Bosch Instruction Manual. Where to download Bosch Instruction Manual online for free? Are you looking for Bosch Instruction Manual PDF? This is definitely going to save you time and cash in something you should think about.

Find Bosch Instruction Manual :

~~casio illuminator manual portugues~~

~~casino royale original book cover~~

casio ctk 731 keyboard manual

~~casio g shock model 2688 manual~~

casio wk 2 user manual

~~casio wave ceptor user guide~~

~~cat 793c manual~~

~~casio 4738 user manual~~

~~casio exilim repair manual~~

cat 3208 belt diagram

~~casino royale imdb parents guide~~

castrol product guide

~~casino soundtrack love is strange movie~~

casio ctk 611 manual

~~casio g shock military manual~~

Bosch Instruction Manual :

of gifts and rarities harvard middle eastern monographs pdf - Oct 08 2022

not discover the proclamation of gifts and rarities harvard middle eastern monographs that you are looking for it will totally squander the time however below afterward you visit this

book of gifts and rarities harvard middle eastern monographs - Jun 16 2023

sep 1 1996 book of gifts and rarities harvard middle eastern monographs by ghada hijjawi qaddumi september 1 1996

harvard university press edition paperback in english

book of gifts rarities harvard middle eastern mono 2022 - Sep 19 2023

global gifts bright galaxies dark matter and beyond book of gifts rarities harvard middle eastern mono downloaded from db csda org by guest johnson axel the aghlabids and

book of gifts rarities harvard middle eastern mono pdf pdf - Nov 28 2021

book of gifts rarities harvard middle eastern mono pdf upload caliva h murray 3 19 downloaded from voto uneal edu br on

september 6 2023 by caliva h murray follow the

book of gifts and rarities kitāb al hadāyā wa al tuḥaf - Aug 18 2023

see all harvard middle eastern monographs this work is a translation and study of a ninth through fifteenth century manuscript a selection from a medieval book kitāb al hadāyā wa al

book of gifts rarities harvard middle eastern mono wrbb neu - Jul 05 2022

of gifts rarities harvard middle eastern mono as with ease as review them wherever you are now book of gifts rarities harvard middle eastern mono 2019 08 03 lambert alana

[book of gifts rarities harvard middle eastern mono full pdf](#) - May 03 2022

it will certainly ease you to see guide book of gifts rarities harvard middle eastern mono as you such as by searching the title publisher or authors of guide you essentially want you

book of gifts rarities harvard middle eastern mono pdf - Sep 07 2022

may 14 2023 about the costs its not quite what you need currently this book of gifts rarities harvard middle eastern mono as one of the most keen sellers here will extremely be in the

book of gifts rarities harvard middle eastern mono pdf - Oct 28 2021

book of gifts rarities harvard middle eastern mono is available in our book collection an online access to it is set as public so you can get it instantly our book servers hosts in multiple

book of gifts and rarities harvard middle eastern monographs - Feb 12 2023

book of gifts and rarities harvard middle eastern monographs by qaddumi ghada hijjawi used fine paperback harvard university center for middle eastern studies paperback

book of gifts and rarities kitāb al hadāyā wa al tuḥaf - Dec 30 2021

sep 1 1996 harvard middle eastern monographs 29 book of gifts and rarities kitāb al hadāyā wa al tuḥaf selections compiled in the fifteenth century from an eleventh century

book of gifts and rarities harvard middle eastern monographs - Dec 10 2022

nov 5 2022 find many great new used options and get the best deals for book of gifts and rarities harvard middle eastern monographs good at the best online prices at ebay

book of gifts rarities harvard middle eastern mono pdf - Aug 06 2022

aug 21 2023 book of gifts rarities harvard middle eastern mono 1 8 downloaded from uniport edu ng on august 21 2023 by guest book of gifts rarities harvard middle eastern

book of gifts and rarities harvard middle eastern monographs - May 15 2023

apr 30 1997 buy book of gifts and rarities harvard middle eastern monographs selections compiled in the fifteenth century

from an eleventh century manuscript on gifts

different kinds of gifts pdf gift property scribd - Mar 01 2022

2 there must be acceptance of the gift express or implied on the part of the donee 3 there must be delivery of possession

either actual or constructive of the property which is the

types of gifts harvard medical school - Apr 02 2022

the ezekiel hersey council ehc recognizes alumni and friends who have created a life income gift or included hms in their estate plans the council is named for dr ezekiel hersey the

what are major gifts plus 7 other donation types kindful - Jan 31 2022

advance gifts gifts donors give or commit to give before a fundraising campaign has officially been announced cash gifts gifts given through a transfer of cash check or currency big

harvard middle eastern monographs book of gifts and rarities - Mar 13 2023

find many great new used options and get the best deals for harvard middle eastern monographs book of gifts and rarities

kitāb al hadāyā wa al tuḥaf selections

book of gifts rarities harvard middle eastern mono pdf wrbb neu - Jun 04 2022

book of gifts rarities harvard middle eastern mono but end occurring in harmful downloads rather than enjoying a fine ebook following a mug of coffee in the afternoon otherwise they

book of gifts and rarities kitāb al hadāyā wa al tuḥaf - Jul 17 2023

sep 1 1996 harvard middle eastern monographs 29 book of gifts and rarities kitāb al hadāyā wa al tuḥaf selections compiled in the fifteenth century from an eleventh century

book of gifts and rarities harvard middle eastern monographs - Jan 11 2023

sep 1 1996 book of gifts and rarities harvard middle eastern monographs by ghada hijjawi qaddumi used good paperback condition good isbn 10 0932885136 isbn 13

book of gifts and rarities harvard middle eastern monographs - Apr 14 2023

book of gifts and rarities harvard middle eastern monographs by ghada hijjawi qaddumi 1996 09 01 on amazon com free shipping on qualifying offers book of gifts and

book of gifts rarities harvard middle eastern mono wrbb neu - Nov 09 2022

2 book of gifts rarities harvard middle eastern mono 2019 11 30 paradise musk and the medieval islamic world traces the history of musk from ancient asia to the early medieval

crooked outwitting the back pain industry and getting on the - Oct 22 2022

web may 9 2017 the acclaimed author of carved in sand a veteran investigative journalist who endured persistent back pain

for decades delivers the definitive book on the subject an essential examination of all facets of the back pain industry exploring what works what doesn't what may cause harm and how to get on the road to recovery

crooked outwitting the back pain industry and getting on the road to recovery - Apr 27 2023

web may 8 2018 isbn 9780062641793 the acclaimed author of *Carved in Sand* a veteran investigative journalist who endured persistent back pain for decades delivers the definitive book on the subject an essential examination of all facets of the back pain industry exploring what works what doesn't what may cause harm and how to get on

a new book exposes the crooked back pain industry next - Mar 27 2023

web may 8 2017 her six year quest is chronicled in a new book *crooked outwitting the back pain industry and getting on the road to recovery* Ramin traveled the globe served as a guinea pig for

crooked cathryn jakobson ramin - Dec 24 2022

web may 9 2017 my goal with *crooked* is to set the back pain industry's offerings in their proper context so that patients have the information they need to make good decisions to know what works sometimes what works rarely and what can cause harm

read pdf crooked outwit yumpu - Jul 19 2022

web apr 19 2021 *outwitting the back pain industry and getting on the road to recovery* some individuals will begin a e book and after that end 50 way like i accustomed to do *crooked outwitting the back pain industry and getting on the road to recovery* now days believe it or not im examining

[the 100 billion per year back pain industry is mostly a hoax](#) - Jan 25 2023

web jun 26 2017 people in pain are poor decision makers says the investigative journalist cathryn jakobson ramin author of a new book *crooked outwitting the back pain industry and getting on the road to recovery*

bpl6 outwitting the crooked back pain industry - Jun 29 2023

web nov 29 2017 *crooked outwitting the back pain industry and getting on the road to recovery* is essentially two things an in depth critique of the current state of treatment and therapy for back pain

crooked outwitting the back pain industry and getting on the road to recovery - May 17 2022

web find many great new used options and get the best deals for *crooked outwitting the back pain industry and getting on the road to recovery* by cathryn jakobson ramin 2017 hardcover at the best online prices at ebay free shipping for many products

books cathryn jakobson ramin - Feb 11 2022

web may 9 2017 cathryn has written books on memory and back pain two issues that the majority of us can relate to in her newest book cathryn takes a look at the back pain industry specifically diving in to the world of spinal surgeons bodywork

practitioners rehabilitation physicians and more

pdf epub crooked outwitting the back pain industry free - Jul 31 2023

web details e book crooked outwitting the back pain industry and getting on the road to recovery author s cathryn jakobson ramin title crooked outwitting the back pain industry and getting on the road to recovery rating 4 4 from 5 stars 525 reviews isbn 10 0062641794 isbn 13 9780062641793

crooked outwitting the b yumpu - Feb 23 2023

web jun 19 2020 book descriptionthe acclaimed author of carved in sand a veteran investigative journalist who endured persistent back pain for decades delivers the definitive book on the subject an essential examination of all facets of the back pain industry exploring what works what doesn t what may cause harm and how to get on the road to

crooked outwitting the back pain industry and getting on the - Aug 20 2022

web may 9 2017 the acclaimed author of carved in sand a veteran investigative journalist who endured persistent back pain for decades delivers the definitive book on the subject an essential examination of

crooked outwitting the back pain industry and getting on - Apr 15 2022

web anyone who is suffering from back pain and confused about where to turn to find relief would be well advised to buy and read crooked there is of course a big obstacle to active care the back pain industry is enormous and lots of people have their hands in

cathryn jakobson ramin - Mar 15 2022

web my goal with crooked is to set the back pain industry s offerings in their proper context so that patients have the information they need to make good decisions to know what works sometimes what works rarely and what can cause harm crooked outwitting the back pain industry and getting on the road to recovery will be published in may

crooked outwitting the back pain industry and getting - Sep 01 2023

web may 9 2017 4 15 778 ratings137 reviews the acclaimed author of carved in sand a veteran investigative journalist who endured persistent back pain for decades delivers the definitive book on the an essential examination of all facets of the back pain industry exploring what works what doesn t what may cause harm and how to get on the road to

download crooked outwitting the back pain industry and - Sep 20 2022

web nov 11 2020 crooked outwitting the back pain industry and getting on the road to recovery download ebook pdf epub book in english language download crooked outwitting the back pain industry and getting on the road to recovery in format pdf crooked outwitting the back pain industry and getting on the road to recovery

book review crooked outwitting the back pain industry and - May 29 2023

web jun 1 2020 one thought on book review crooked outwitting the back pain industry and getting on the road to recovery

by cathryn jakobson ramin pingback book review stabbed in the back confronting back pain in an overtreated society by nortin m hadler my upright life

crooked outwitting the back pain industry and getting on the - Jun 17 2022

web an investigative journalist who endured persistent back pain for decades examines all facets of the back pain industry exploring what works what doesn't what may cause harm and how to get on the road to recovery dust jacket flap includes bibliographical references pages 379 383 and index

crooked outwitting the back pain industry and getting on the - Oct 02 2023

web may 9 2017 costing roughly 100 billion a year spine medicine often ineffective and sometimes harmful exemplified the worst aspects of the u s health care system the result of six years of intensive reporting crooked offers a startling look at back pain medicine and provides practical advice and solutions

crooked what it takes to outwit the back pain industry and get - Nov 22 2022

web jun 13 2017 cathryn jakobson ramin journalist investigative reporter author carved in sand when attention fails and memory fades in midlife crooked outwitting the back pain industry and getting on the road to recovery

macmillan advanced language practice with key bing - Jun 02 2022

web jun 22 2023 macmillan advanced language practice with key bing is available in our book collection an online access to it is set as public so you can get it swiftly you could buy tutorial macmillan

macmillan advanced language practice with key academia edu - Jul 15 2023

web macmillan advanced language practice with key tomaz guimaraes see full pdf download pdf see full pdf download pdf see full pdf

advanced language practice with key macmillan - Mar 11 2023

web advanced language practice is the reference and practice book for students at advanced c1 level now in full colour this new edition retains all the original features which make the language practice series so popular including clear grammar explanations plenty of practice and regular consolidation units

macmillan advanced language practice with key cae scribd - Feb 10 2023

web macmillan advanced language practice with key cae english grammar and vocabulary michael free ebook download as pdf file pdf or read book online for free macmillan advanced language practice with key cae english grammar and vocabulary michael uploaded by lori preda 88 42 88 found this document

language practice new edition macmillan education - Jan 09 2023

web student's book pack with macmillan practice online and answer key language practice for first advanced new edition is an in depth detailed approach to english grammar and vocabulary providing clear grammar explanations plenty of

macmillan english campusmacmillan english campus the - Nov 07 2022

web the macmillan english campus has helped us incorporate new technologies into the classroom students have more opportunities to practise the language in an interactive way it is a great tool that fosters autonomous learning whenever my students have a test they do all the exercises suggested for the units to be evaluated

macmillan advanced language practice with key bing - Mar 31 2022

web advanced language practice michael vince 1994 a text offering practice material to students preparing for the cambridge advanced english examination there are 30 units containing grammar explanation and practice 20 developing and practising topic related vocabulary and phrasal verbs and ten working on expressions idioms and word formation

macmillan advanced language practice with key bing - Dec 28 2021

web macmillan advanced language practice with key bing but stop happening in harmful downloads rather than enjoying a fine pdf later than a mug of coffee in the afternoon otherwise they juggled subsequent to some harmful virus inside their computer macmillan advanced language practice with key bing is understandable in our digital library an

macmillan advanced language practice with key bing - Feb 27 2022

web it will totally ease you to look guide macmillan advanced language practice with key bing as you such as by searching the title publisher or authors of guide you really want you can discover them rapidly

macmillan advanced language practice with key bing - Aug 04 2022

web jan 9 2023 4730486 macmillan advanced language practice with key bing 2 9 downloaded from robbinsmanuscripts berkeley edu on by guest investigates the human capacity to learn additional languages in late childhood adolescence or adulthood after the first language in the case of monolinguals or languages in the case of bilinguals

macmillan advanced language practice with key bing - May 01 2022

web collections macmillan advanced language practice with key bing that we will completely offer it is not nearly the costs its roughly what you need currently this macmillan advanced language practice with key bing as one of the most lively sellers here will no question be in the middle of the best options to review a pocket style

macmillan advanced language practice with key bing - Jan 29 2022

web macmillan advanced language practice with key bing yeah reviewing a books macmillan advanced language practice with key bing could ensue your close associates listings this is just one of the solutions for you to be successful

advanced language practice with key michael vince pdf - May 13 2023

web sign in advanced language practice with key michael vince pdf google drive sign in

macmillan advanced language practice with key bing pdf - Jul 03 2022

web to begin getting this info acquire the macmillan advanced language practice with key bing member that we offer here

and check out the link you could buy lead macmillan advanced language practice with key bing or get it as soon as feasible you could quickly download this macmillan advanced language practice with key bing after getting deal

[pdf advanced language practice by michael vince](#) - Oct 06 2022

web 1 advanced language practice with key michael vince with peter sunderland english grammar and vocabulary macmillan
2 macmillan education between towns road oxford ox4

advanced language practice with key fliphtml5 - Apr 12 2023

web oct 19 2017 check pages 1 50 of advanced language practice with key in the flip pdf version advanced language practice with key was published by mydocshelves digital document system on 2017 10 19 find more similar flip pdfs like advanced language practice with key

[macmillan advanced language practice with key bing full pdf](#) - Dec 08 2022

web kindly say the macmillan advanced language practice with key bing is universally compatible with any devices to read macmillan advanced language practice with key bing downloaded from wef tamu edu by guest tyler michael advanced language practice with key macmillan elt

advanced language practice english grammar and vocabulary - Jun 14 2023

web description the advanced level contains grammar that is systematically revised and consolidated through a variety of exercises in the cae and new proficiency cpe exam styles there is extensive written and oral practice plus regular consolidation units no customer ratings yet submit a rating

advanced language practice with key pdf google drive - Aug 16 2023

web view details request a review learn more

macmillan advanced language practice with key bing pdf - Sep 05 2022

web apr 10 2023 macmillan advanced language practice with key bing what you later to read advanced language practice michael vince 2009 this new edition is part of a popular series that provides an in depth detailed approach to