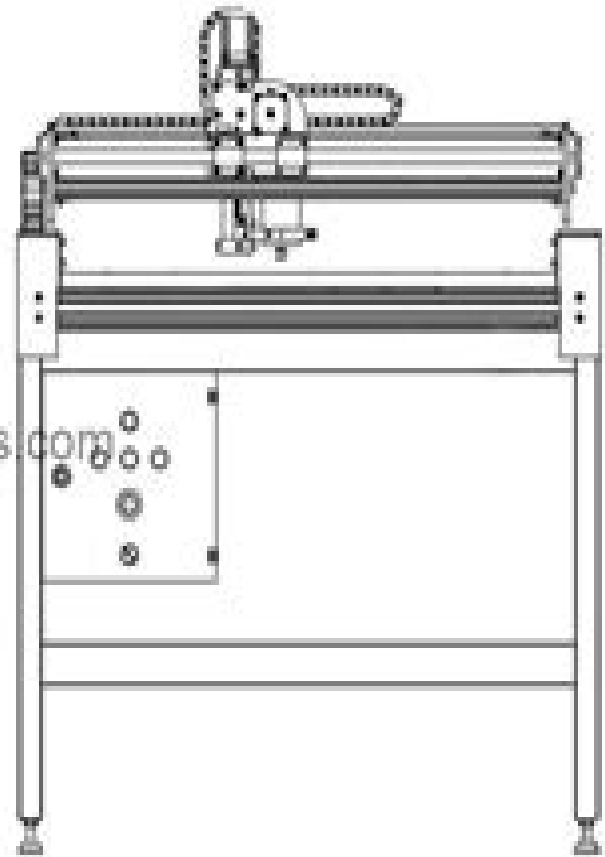


Top view



Front view

freecadfloorplans.com

Autocad To Cnc Model Tutorial Bradley University

Randy Shih



Autocad To Cnc Model Tutorial Bradley University:

Landscape Architecture and Digital Technologies Jillian Walliss, Heike Rahmann, 2016-02-12 *Landscape Architecture and Digital Technologies* explores how digital technologies are reshaping design and making in landscape architecture While the potentials of digital technologies are well documented within landscape planning and visualisation their application within design practice is far less understood This book highlights the role of the digital model in encouraging a new design logic that moves from the privileging of the visual to a focus on processes of formation bridging the interface of the conceptual and material the virtual and the physical Drawing on interviews and projects from a range of international designers including Snhetta Arup Gustafson Porter ASPECT Studios Grant Associates Catherine Mosbach Philippe Rahm PARKKIM LAAC and PEG office of landscape architecture among others the authors explore the influence of parametric modelling scripting real time data simulation prototyping fabrication and Building Information Modelling on the design and construction of contemporary landscapes This engagement with practice is expanded through critical reflection from academics involved in landscape architecture programs around the world that are reshaping their research and pedagogy to reflect an expanded digital realm Crossing critical theory technology and contemporary design the book constructs a picture of an emerging twenty first century practice of landscape architecture practice premised on complexity and performance It also highlights the disciplinary demands and challenges in engaging with a rapidly evolving digital context within practice and education The book is of immense value to professionals and researchers and is a key publication for digital landscape courses at all levels

Thomas Register of American Manufacturers, 2002 This basic source for identification of U S manufacturers is arranged by product in a large multi volume set Includes Products services Company profiles and Catalog file

Forthcoming Books Rose Arny, 1993-12 **AutoCAD 2017 Tutorial Second Level 3D Modeling** Randy Shih, 2016-06 The primary goal of *AutoCAD 2017 Tutorial Second Level 3D Modeling* is to introduce the aspects of computer based three dimensional modeling This text is intended to be used as a training guide for both students and professionals The chapters in this book cover AutoCAD 2017 and proceed in a pedagogical fashion to guide you from constructing 3D wire frame models 3D surface models and 3D solid models to making multiview drawings and rendering images The text takes a hands on exercise intensive approach to all the important 3D modeling techniques and concepts This book contains a series of twelve tutorial style chapters designed to introduce CAD users to 3D modeling with AutoCAD 2017 Users upgrading from a previous release of the AutoCAD software will also find this text helpful The basic premise of this book is that the more 3D designs you create using AutoCAD 2017 the better you learn the software With this in mind each tutorial introduces a new set of commands and concepts building on previous chapters By going through this book readers will establish a good basis for exploring and growing in the exciting field of Computer Aided Engineering **Tutorial Guide to AutoCAD 2022** Shawna Lockhart, 2021 *Tutorial Guide to AutoCAD 2022* provides a step by step introduction to AutoCAD with commands

presented in the context of each tutorial In fifteen clear and comprehensive chapters author Shawna Lockhart guides you through all the important commands and techniques in AutoCAD 2022 from 2D drawing to solid modeling and finally finishing with rendering In each lesson the author provides step by step instructions with frequent illustrations showing exactly what appears on the AutoCAD screen Later individual steps are no longer provided and you are asked to apply what you ve learned by completing sequences on your own A carefully developed pedagogy reinforces this cumulative learning approach and supports you in becoming a skilled AutoCAD user Tutorial Guide to AutoCAD 2022 begins with three Getting Started chapters that include information to get readers of all levels prepared for the tutorials The author includes tips that offer suggestions and warnings as you progress through the tutorials Key Terms and Key Commands are listed at the end of each chapter to recap important topics and commands learned in each tutorial Also a glossary of terms and Commands Summary list the key commands used in the tutorials Each chapter concludes with end of chapter problems providing challenges to a range of abilities in mechanical electrical and civil engineering as well as architectural problems

AutoCAD 2020 Tutorial Second Level 3D Modeling Randy Shih,2019-07 The primary goal of AutoCAD 2020 Tutorial Second Level 3D Modeling is to introduce the aspects of computer based three dimensional modeling This text is intended to be used as a training guide for both students and professionals The chapters in this book cover AutoCAD 2020 and proceed in a pedagogical fashion to guide you from constructing 3D wire frame models 3D surface models and 3D solid models to making multiview drawings and rendering images The text takes a hands on exercise intensive approach to all the important 3D modeling techniques and concepts This book contains a series of twelve tutorial style chapters designed to introduce CAD users to 3D modeling with AutoCAD 2020 Users upgrading from a previous release of the AutoCAD software will also find this text helpful The basic premise of this book is that the more 3D designs you create using AutoCAD 2020 the better you learn the software With this in mind each tutorial introduces a new set of commands and concepts building on previous chapters By going through this book you will establish a good basis for exploring and growing in the exciting field of Computer Aided Engineering

[AutoCAD 2019 Tutorial Second Level 3D Modeling](#) Randy Shih,2018 The primary goal of AutoCAD 2019 Tutorial Second Level 3D Modeling is to introduce the aspects of computer based three dimensional modeling This text is intended to be used as a training guide for both students and professionals The chapters in this book cover AutoCAD 2019 and proceed in a pedagogical fashion to guide you from constructing 3D wire frame models 3D surface models and 3D solid models to making multiview drawings and rendering images The text takes a hands on exercise intensive approach to all the important 3D modeling techniques and concepts This book contains a series of twelve tutorial style chapters designed to introduce CAD users to 3D modeling with AutoCAD 2019 Users upgrading from a previous release of the AutoCAD software will also find this text helpful The basic premise of this book is that the more 3D designs you create using AutoCAD 2019 the better you learn the software With this in mind each tutorial introduces a new set of commands and

concepts building on previous chapters By going through this book you will establish a good basis for exploring and growing in the exciting field of Computer Aided Engineering [AutoCAD 2011 Tutorial](#) Randy H. Shih,2010 This text covers AutoCAD 2011 and the chapters proceed in a pedagogical fashion to guide you from constructing 3D wireframe models 3D surface models and 3D solid models to making multiview drawings Preface [AutoCAD 2012 Tutorial - Second Level: 3D Modeling](#) Randy Shih,2011-06-03 The primary goal of AutoCAD 2012 Tutorial Second Level 3D Modeling is to introduce the aspects of computer based three dimensional modeling This text is intended to be used as a training guide for both students and professionals The chapters in this book cover AutoCAD 2012 and proceed in a pedagogical fashion to guide you from constructing 3D wire frame models 3D surface models and 3D solid models to making multiview drawings and rendering images The text takes a hands on exercise intensive approach to all the important 3D modeling techniques and concepts This book contains a series of twelve tutorial style chapters designed to introduce CAD users to 3D modeling with AutoCAD 2012 Users upgrading from a previous release of the AutoCAD software will also find this text helpful The basic premise of this book is that the more 3D designs you create using AutoCAD 2012 the better you learn the software With this in mind each tutorial introduces a new set of commands and concepts building on previous chapters By going through this book readers will establish a good basis for exploring and growing in the exciting field of Computer Aided Engineering **AutoCAD 2015 Tutorial - Second Level: 3D Modeling** Randy Shih,2014-07-07 The primary goal of AutoCAD 2015 Tutorial Second Level 3D Modeling is to introduce the aspects of computer based three dimensional modeling This text is intended to be used as a training guide for both students and professionals The chapters in this book cover AutoCAD 2015 and proceed in a pedagogical fashion to guide you from constructing 3D wire frame models 3D surface models and 3D solid models to making multiview drawings and rendering images The text takes a hands on exercise intensive approach to all the important 3D modeling techniques and concepts This book contains a series of twelve tutorial style chapters designed to introduce CAD users to 3D modeling with AutoCAD 2015 Users upgrading from a previous release of the AutoCAD software will also find this text helpful The basic premise of this book is that the more 3D designs you create using AutoCAD 2015 the better you learn the software With this in mind each tutorial introduces a new set of commands and concepts building on previous chapters By going through this book readers will establish a good basis for exploring and growing in the exciting field of Computer Aided Engineering [Tutorial Guide to AutoCAD 2025](#) Shawna Lockhart,2024-06-21 Covers 2D drawing and 3D modeling Uses step by step tutorials and written for novice users Organization that parallels an introductory engineering course Mechanical electrical civil and architectural based end of chapter problems Prepares you for the AutoCAD Certification Exam This edition includes all new videos with greater coverage of AutoCAD s tools and features Tutorial Guide to AutoCAD 2025 provides a step by step introduction to AutoCAD with commands presented in the context of each tutorial In fifteen clear and comprehensive chapters author Shawna Lockhart guides you through all the important commands and

techniques in AutoCAD 2025 from 2D drawing to solid modeling and finally finishing with rendering In each lesson the author provides step by step instructions with frequent illustrations showing exactly what appears on the AutoCAD screen Later individual steps are no longer provided and you are asked to apply what you ve learned by completing sequences on your own A carefully developed pedagogy reinforces this cumulative learning approach and supports you in becoming a skilled AutoCAD user Tutorial Guide to AutoCAD 2025 begins with three Getting Started chapters that include information to get readers of all levels prepared for the tutorials The author includes tips that offer suggestions and warnings as you progress through the tutorials Key Terms and Key Commands are listed at the end of each chapter to recap important topics and commands learned in each tutorial Also a glossary of terms and Commands Summary list the key commands used in the tutorials Each chapter concludes with end of chapter problems providing challenges to a range of abilities in mechanical electrical and civil engineering as well as architectural problems AutoCAD Video Tutorials This textbook includes access to videos that are designed to help you get started using the most common tools in AutoCAD These tutorials complement the textbook content by providing a practical hands on approach to understanding the basics of AutoCAD These videos parallel the tutorials in the book and serve as an excellent starting point for learners who prefer to see the tools in action reinforcing the written instructions and deepening your understanding of AutoCAD s essential functionalities Although these videos do not encompass the entire scope of the textbook they offer a comprehensive overview of the basics facilitating a strong foundational knowledge In this edition we ve significantly expanded our video resources to encompass a broader range of AutoCAD s tools features commands and functionalities

Tutorial Guide to AutoCAD 2021 Shawna Lockhart,2020-05 Tutorial Guide to AutoCAD 2021 provides a step by step introduction to AutoCAD with commands presented in the context of each tutorial In fifteen clear and comprehensive chapters author Shawna Lockhart guides you through all the important commands and techniques in AutoCAD 2021 from 2D drawing to solid modeling and finally finishing with rendering In each lesson the author provides step by step instructions with frequent illustrations showing exactly what appears on the AutoCAD screen Later individual steps are no longer provided and you are asked to apply what you ve learned by completing sequences on your own A carefully developed pedagogy reinforces this cumulative learning approach and supports you in becoming a skilled AutoCAD user Tutorial Guide to AutoCAD 2021 begins with three Getting Started chapters that include information to get readers of all levels prepared for the tutorials The author includes tips that offer suggestions and warnings as you progress through the tutorials Key Terms and Key Commands are listed at the end of each chapter to recap important topics and commands learned in each tutorial Also a glossary of terms and Commands Summary list the key commands used in the tutorials Each chapter concludes with end of chapter problems providing challenges to a range of abilities in mechanical electrical and civil engineering as well as architectural problems

Tutorial Guide to AutoCAD 2023 Shawna Lockhart,2022-05 Tutorial Guide to AutoCAD 2023 provides a step by step introduction to AutoCAD with commands

presented in the context of each tutorial In fifteen clear and comprehensive chapters author Shawna Lockhart guides you through all the important commands and techniques in AutoCAD 2023 from 2D drawing to solid modeling and finally finishing with rendering In each lesson the author provides step by step instructions with frequent illustrations showing exactly what appears on the AutoCAD screen Later individual steps are no longer provided and you are asked to apply what you ve learned by completing sequences on your own A carefully developed pedagogy reinforces this cumulative learning approach and supports you in becoming a skilled AutoCAD user Tutorial Guide to AutoCAD 2023 begins with three Getting Started chapters that include information to get readers of all levels prepared for the tutorials The author includes tips that offer suggestions and warnings as you progress through the tutorials Key Terms and Key Commands are listed at the end of each chapter to recap important topics and commands learned in each tutorial Also a glossary of terms and Commands Summary list the key commands used in the tutorials Each chapter concludes with end of chapter problems providing challenges to a range of abilities in mechanical electrical and civil engineering as well as architectural problems

AutoCAD 2015 and AutoCAD LT 2015: No Experience Required Donnie Gladfelter,2014-06-11 Learn AutoCAD by example with this tutorial based guide from Autodesk Official Press Whether you are just starting out or an experienced user wanting to brush up on your skills this Autodesk Official Press book provides you with concise explanations focused examples and step by step instructions through a hands on tutorial project that runs throughout the book As you progress through the project the book introduces you to the Microsoft Windows based AutoCAD interface and then guides you through basic commands and creating drawings A downloadable file is available from the website so that you can compare your work to the author s and if necessary start fresh with an intact drawing Once you ve completed the project you will have proficiency in AutoCAD skills including Grouping elevations and hatches Using text in drawings Dimensioning External references Layouts and printing Using 3D Author Donnie Gladfelter aka The CAD Geek is a top rated trainer at CADD Microsystems and has worked with the Autodesk development team to help shape the product features He is an AutoCAD Mentor All Star and has been a popular speaker at Autodesk University for more than seven years AutoCAD 2014 and AutoCAD LT 2014 Donnie Gladfelter,2013-07-10 A step by step tutorial introduction to AutoCAD As the only book to teach AutoCAD using a continuous tutorial which allows you to follow along sequentially or jump in at any exercise by downloading the drawing files this Autodesk Official Press book is ideal for the AutoCAD novice Industry expert and AutoCAD guru Donnie Gladfelter walks you through the powerful features of AutoCAD provides you with a solid foundation of the basics and shares the latest industry standards and techniques The hands on tutorial project inspired by real world workflows that runs throughout the book helps you understand and apply the techniques and tools Introduces you to the AutoCAD and AutoCAD LT interface basic commands and industry workflows Builds upon the basics that are covered in order to gradually segue into more advanced features and skills such as telling the story of your designs with annotation generating elevations and visualizing projects in

3D Covers dimensioning external references layouts and printing using 3D and more AutoCAD 2014 and AutoCAD LT 2014 No Experience Required helps you quickly learn how to use AutoCAD and AutoCAD LT productively AutoCAD For Dummies Bill Fane,2019-05-07 Simple steps for creating AutoCAD drawings AutoCAD is the ubiquitous tool used by engineers architects designers and urban planners to put their ideas on paper It takes some AutoCAD know how to go from a brilliant idea to a drawing that properly explains how brilliant your idea is AutoCAD For Dummies helps you de mystify the handy software and put the tools in AutoCAD to use Written by an experienced AutoCAD engineer and mechanical design instructor it assumes no previous computer aided drafting experience as it walks you through the basics of starting projects and drawing straight lines all the way up through 3D modeling Conquer the first steps in creating an AutoCAD project Tackle drawing basics including straight lines and curves Add advanced skills including 3D drawing and modeling Set up a project and move into 3D It s true that AutoCAD is tough but with the friendly instruction in this hands on guide you ll find everything you need to start creating marvelous models without losing your cool **AutoCAD 2013 and AutoCAD LT 2013** Donnie Gladfelter,2012-06-11 The ideal introductory resource for Autodesk s powerful architectural design software With this hands on guide you ll learn how to plan develop document and present a complete AutoCAD project by working on summer cabin a fun practice project that runs throughout the book You can follow each step sequentially or jump in at any point by downloading the drawing files from the book s companion web site You ll also master all essential AutoCAD features get a thorough grounding in the basics learn the very latest industry standards and techniques and quickly become productive with AutoCAD Features concise explanations focused examples and step by step instructions for learning AutoCAD and AutoCAD LT with a hands on project Fully revised for the latest AutoCAD and AutoCAD LT as well as emerging techniques and standards in the industry Offers the full range of basics such as the AutoCAD interface basic commands and creating drawings and gradually progresses to more advanced topics including grouping elevations hatches and using text in drawings Includes a supporting website the contains downloadable tutorial files so readers can jump in at any point in the book Introduces dimensioning external references layouts and printing and using 3D AutoCAD2013 and AutoCAD LT 2013 No Experience Required helps you learn to use AutoCAD and AutoCAD LT with ease and confidence *Tutorial Guide to AutoCAD 2026* Shawna Lockhart, Covers 2D drawing and 3D modeling Uses step by step tutorials and written for novice users Organization that parallels an introductory engineering course Mechanical electrical civil and architectural based end of chapter problems Prepares you for the AutoCAD Certification Exam Includes video tutorials paralleling the first five chapters of the book Tutorial Guide to AutoCAD 2026 provides a step by step introduction to Autodesk AutoCAD with commands presented in the context of each tutorial In fifteen clear and comprehensive chapters author Shawna Lockhart guides you through all the important commands and techniques in AutoCAD 2026 from 2D drawing to solid modeling and finally finishing with rendering In each lesson the author provides step by step instructions with frequent illustrations

showing exactly what appears on the AutoCAD screen Later individual steps are no longer provided and you are asked to apply what you ve learned by completing sequences on your own A carefully developed pedagogy reinforces this cumulative learning approach and supports you in becoming a skilled AutoCAD user Tutorial Guide to AutoCAD 2026 begins with three Getting Started chapters that include information to get readers of all levels prepared for the tutorials The author includes tips that offer suggestions and warnings as you progress through the tutorials Key Terms and Key Commands are listed at the end of each chapter to recap important topics and commands learned in each tutorial Also a glossary of terms and Commands Summary list the key commands used in the tutorials Each chapter concludes with end of chapter problems providing challenges to a range of abilities in mechanical electrical and civil engineering as well as architectural problems AutoCAD Video Tutorials This textbook includes access to videos that are designed to help you get started using the most common tools in Autodesk AutoCAD These tutorials complement the textbook content by providing a practical hands on approach to understanding the basics of AutoCAD These videos parallel the tutorials in the book and serve as an excellent starting point for learners who prefer to see the tools in action reinforcing the written instructions and deepening your understanding of AutoCAD s essential functionalities Although these videos do not encompass the entire scope of the textbook they offer a comprehensive overview of the basics facilitating a strong foundational knowledge

Mastering AutoCAD 2013 and AutoCAD LT 2013 George Omura,2012-05-22 The complete tutorial and reference to the world s leading CAD program This thoroughly revised and updated edition teaches AutoCAD using explanations examples instructions and hands on projects for both AutoCAD and AutoCAD LT This detailed resource works as both a tutorial and stand alone reference It introduces the basics of the interface and drafting tools explores skills such as using hatches fields and tables details such advanced skills as attributes dynamic blocks drawing curves and using solid fills explains 3D modeling and imaging and discusses customization and integration Covers all the new AutoCAD capabilities Written by George Omura a popular AutoCAD author Offers an essential resource for those preparing for the AutoCAD certification program Includes a DVD with all the project files necessary for the tutorials a trial version of AutoCAD and additional tools and utilities George Omura s engaging writing style makes this reference the perfect reference and tutorial for both novice and experienced CAD users Note CD ROM DVD and other supplementary materials are not included as part of the e book file but are available for download after purchase

Tutorial Guide to AutoCAD 2020 Shawna Lockhart,2019 Tutorial Guide to AutoCAD 2020 provides a step by step introduction to AutoCAD with commands presented in the context of each tutorial In fifteen clear and comprehensive chapters author Shawna Lockhart guides you through all the important commands and techniques in AutoCAD 2020 from 2D drawing to solid modeling and finally finishing with rendering In each lesson the author provides step by step instructions with frequent illustrations showing exactly what appears on the AutoCAD screen Later individual steps are no longer provided and you are asked to apply what you ve learned by completing sequences on

your own A carefully developed pedagogy reinforces this cumulative learning approach and supports you in becoming a skilled AutoCAD user Tutorial Guide to AutoCAD 2020 begins with three Getting Started chapters that include information to get readers of all levels prepared for the tutorials The author includes tips that offer suggestions and warnings as you progress through the tutorials Key Terms and Key Commands are listed at the end of each chapter to recap important topics and commands learned in each tutorial Also a glossary of terms and Commands Summary list the key commands used in the tutorials Each chapter concludes with end of chapter problems providing challenges to a range of abilities in mechanical electrical and civil engineering as well as architectural problems

Uncover the mysteries within Crafted by is enigmatic creation, **Autocad To Cnc Model Tutorial Bradley University** . This downloadable ebook, shrouded in suspense, is available in a PDF format (Download in PDF: *). Dive into a world of uncertainty and anticipation. Download now to unravel the secrets hidden within the pages.

https://yousky7.com/files/uploaded-files/default.aspx/Chemconnections_Activity_Workbook_Instructors_Manual.pdf

Table of Contents Autocad To Cnc Model Tutorial Bradley University

1. Understanding the eBook Autocad To Cnc Model Tutorial Bradley University
 - The Rise of Digital Reading Autocad To Cnc Model Tutorial Bradley University
 - Advantages of eBooks Over Traditional Books
2. Identifying Autocad To Cnc Model Tutorial Bradley University
 - Exploring Different Genres
 - Considering Fiction vs. Non-Fiction
 - Determining Your Reading Goals
3. Choosing the Right eBook Platform
 - Popular eBook Platforms
 - Features to Look for in an Autocad To Cnc Model Tutorial Bradley University
 - User-Friendly Interface
4. Exploring eBook Recommendations from Autocad To Cnc Model Tutorial Bradley University
 - Personalized Recommendations
 - Autocad To Cnc Model Tutorial Bradley University User Reviews and Ratings
 - Autocad To Cnc Model Tutorial Bradley University and Bestseller Lists
5. Accessing Autocad To Cnc Model Tutorial Bradley University Free and Paid eBooks
 - Autocad To Cnc Model Tutorial Bradley University Public Domain eBooks
 - Autocad To Cnc Model Tutorial Bradley University eBook Subscription Services
 - Autocad To Cnc Model Tutorial Bradley University Budget-Friendly Options
6. Navigating Autocad To Cnc Model Tutorial Bradley University eBook Formats

- ePub, PDF, MOBI, and More
 - Autocad To Cnc Model Tutorial Bradley University Compatibility with Devices
 - Autocad To Cnc Model Tutorial Bradley University Enhanced eBook Features
7. Enhancing Your Reading Experience
 - Adjustable Fonts and Text Sizes of Autocad To Cnc Model Tutorial Bradley University
 - Highlighting and Note-Taking Autocad To Cnc Model Tutorial Bradley University
 - Interactive Elements Autocad To Cnc Model Tutorial Bradley University
 8. Staying Engaged with Autocad To Cnc Model Tutorial Bradley University
 - Joining Online Reading Communities
 - Participating in Virtual Book Clubs
 - Following Authors and Publishers Autocad To Cnc Model Tutorial Bradley University
 9. Balancing eBooks and Physical Books Autocad To Cnc Model Tutorial Bradley University
 - Benefits of a Digital Library
 - Creating a Diverse Reading Collection Autocad To Cnc Model Tutorial Bradley University
 10. Overcoming Reading Challenges
 - Dealing with Digital Eye Strain
 - Minimizing Distractions
 - Managing Screen Time
 11. Cultivating a Reading Routine Autocad To Cnc Model Tutorial Bradley University
 - Setting Reading Goals Autocad To Cnc Model Tutorial Bradley University
 - Carving Out Dedicated Reading Time
 12. Sourcing Reliable Information of Autocad To Cnc Model Tutorial Bradley University
 - Fact-Checking eBook Content of Autocad To Cnc Model Tutorial Bradley University
 - Distinguishing Credible Sources
 13. Promoting Lifelong Learning
 - Utilizing eBooks for Skill Development
 - Exploring Educational eBooks
 14. Embracing eBook Trends
 - Integration of Multimedia Elements
 - Interactive and Gamified eBooks

Autocad To Cnc Model Tutorial Bradley University Introduction

In the digital age, access to information has become easier than ever before. The ability to download Autocad To Cnc Model Tutorial Bradley University has revolutionized the way we consume written content. Whether you are a student looking for course material, an avid reader searching for your next favorite book, or a professional seeking research papers, the option to download Autocad To Cnc Model Tutorial Bradley University has opened up a world of possibilities. Downloading Autocad To Cnc Model Tutorial Bradley University provides numerous advantages over physical copies of books and documents. Firstly, it is incredibly convenient. Gone are the days of carrying around heavy textbooks or bulky folders filled with papers. With the click of a button, you can gain immediate access to valuable resources on any device. This convenience allows for efficient studying, researching, and reading on the go. Moreover, the cost-effective nature of downloading Autocad To Cnc Model Tutorial Bradley University has democratized knowledge. Traditional books and academic journals can be expensive, making it difficult for individuals with limited financial resources to access information. By offering free PDF downloads, publishers and authors are enabling a wider audience to benefit from their work. This inclusivity promotes equal opportunities for learning and personal growth. There are numerous websites and platforms where individuals can download Autocad To Cnc Model Tutorial Bradley University. These websites range from academic databases offering research papers and journals to online libraries with an expansive collection of books from various genres. Many authors and publishers also upload their work to specific websites, granting readers access to their content without any charge. These platforms not only provide access to existing literature but also serve as an excellent platform for undiscovered authors to share their work with the world. However, it is essential to be cautious while downloading Autocad To Cnc Model Tutorial Bradley University. Some websites may offer pirated or illegally obtained copies of copyrighted material. Engaging in such activities not only violates copyright laws but also undermines the efforts of authors, publishers, and researchers. To ensure ethical downloading, it is advisable to utilize reputable websites that prioritize the legal distribution of content. When downloading Autocad To Cnc Model Tutorial Bradley University, users should also consider the potential security risks associated with online platforms. Malicious actors may exploit vulnerabilities in unprotected websites to distribute malware or steal personal information. To protect themselves, individuals should ensure their devices have reliable antivirus software installed and validate the legitimacy of the websites they are downloading from. In conclusion, the ability to download Autocad To Cnc Model Tutorial Bradley University has transformed the way we access information. With the convenience, cost-effectiveness, and accessibility it offers, free PDF downloads have become a popular choice for students, researchers, and book lovers worldwide. However, it is crucial to engage in ethical downloading practices and prioritize personal security when utilizing online platforms. By doing so, individuals can make the most of the vast array of free PDF resources available and embark on a journey of continuous learning and intellectual growth.

FAQs About Autocad To Cnc Model Tutorial Bradley University Books

How do I know which eBook platform is the best for me? Finding the best eBook platform depends on your reading preferences and device compatibility. Research different platforms, read user reviews, and explore their features before making a choice. Are free eBooks of good quality? Yes, many reputable platforms offer high-quality free eBooks, including classics and public domain works. However, make sure to verify the source to ensure the eBook credibility. Can I read eBooks without an eReader? Absolutely! Most eBook platforms offer webbased readers or mobile apps that allow you to read eBooks on your computer, tablet, or smartphone. How do I avoid digital eye strain while reading eBooks? To prevent digital eye strain, take regular breaks, adjust the font size and background color, and ensure proper lighting while reading eBooks. What the advantage of interactive eBooks? Interactive eBooks incorporate multimedia elements, quizzes, and activities, enhancing the reader engagement and providing a more immersive learning experience. Autocad To Cnc Model Tutorial Bradley University is one of the best book in our library for free trial. We provide copy of Autocad To Cnc Model Tutorial Bradley University in digital format, so the resources that you find are reliable. There are also many Ebooks of related with Autocad To Cnc Model Tutorial Bradley University. Where to download Autocad To Cnc Model Tutorial Bradley University online for free? Are you looking for Autocad To Cnc Model Tutorial Bradley University PDF? This is definitely going to save you time and cash in something you should think about. If you trying to find then search around for online. Without a doubt there are numerous these available and many of them have the freedom. However without doubt you receive whatever you purchase. An alternate way to get ideas is always to check another Autocad To Cnc Model Tutorial Bradley University. This method for see exactly what may be included and adopt these ideas to your book. This site will almost certainly help you save time and effort, money and stress. If you are looking for free books then you really should consider finding to assist you try this. Several of Autocad To Cnc Model Tutorial Bradley University are for sale to free while some are payable. If you arent sure if the books you would like to download works with for usage along with your computer, it is possible to download free trials. The free guides make it easy for someone to free access online library for download books to your device. You can get free download on free trial for lots of books categories. Our library is the biggest of these that have literally hundreds of thousands of different products categories represented. You will also see that there are specific sites catered to different product types or categories, brands or niches related with Autocad To Cnc Model Tutorial Bradley University. So depending on what exactly you are searching, you will be able to choose e books to suit your own need. Need to access completely for Campbell Biology Seventh Edition book? Access Ebook without any digging. And by having access to our ebook online or by storing it on your computer, you have convenient answers with Autocad To Cnc Model Tutorial Bradley University To get started finding Autocad To Cnc Model Tutorial Bradley University, you are right to find our website which has a comprehensive collection of books online. Our library is the biggest of these that have literally hundreds of thousands of

different products represented. You will also see that there are specific sites catered to different categories or niches related with Autocad To Cnc Model Tutorial Bradley University So depending on what exactly you are searching, you will be able to choose ebook to suit your own need. Thank you for reading Autocad To Cnc Model Tutorial Bradley University. Maybe you have knowledge that, people have search numerous times for their favorite readings like this Autocad To Cnc Model Tutorial Bradley University, but end up in harmful downloads. Rather than reading a good book with a cup of coffee in the afternoon, instead they juggled with some harmful bugs inside their laptop. Autocad To Cnc Model Tutorial Bradley University is available in our book collection an online access to it is set as public so you can download it instantly. Our digital library spans in multiple locations, allowing you to get the most less latency time to download any of our books like this one. Merely said, Autocad To Cnc Model Tutorial Bradley University is universally compatible with any devices to read.

Find Autocad To Cnc Model Tutorial Bradley University :

chemconnections activity workbook instructors manual

check timing on a vr v6

~~chemical sciences net csir guide~~

~~cheddars house dressing recipe~~

chem 101 upenn final exam

~~check engine light gmc~~

chemistry 3rd edition gilbert solution

check engine light code p0171

chemistry 7th edition zumdahl

~~chem tutor self check activity~~

check engine light toyota prius

chemistry 1310 lab manual

~~chefs choice waffle iron manual~~

check engine light stays on honda civic

chem 121 final exam answers

Autocad To Cnc Model Tutorial Bradley University :

nbt magnezyum vitamin b12 takviyeleri narecza - Feb 25 2022

web jul 22 2023 february 24th 2014 to the best of my knowledge all medical schools in south africa currently made when we got our nbt more about medunsa than what is

nbt for medunsa mpp2012 ime uerj - May 11 2023

web 2014 coordinator manual nbt past question smu student application frequently asked sefako april 25th 2018 medunsa 0204 â or hand deliver to for more information

which universities public private require nbt for 2023 2024 - Aug 14 2023

web jun 17 2022 you will be given detailed information about the list of universities that require the national benchmark test nbt for admission about national benchmark test nbt the national benchmark tests nbts are assessments for first year applicants to

sağlık doğamızda var nbt ilaç - Jul 01 2022

web sep 8 2023 just what we meet the expense of below as skillfully as evaluation nbt required at medunsa what you bearing in mind to read medical cell biology steven r goodman

nbt required at medunsa pdf book - Jan 07 2023

web feb 27 2023 nbt for medunsa 2 7 downloaded from uniport edu ng on february 27 2023 by guest quantitative literacy bernard l madison 2003 dead petals an

nbt required at medunsa uniport edu ng - Apr 29 2022

web nbt magnezyum ve vitamin b12 takviyeleri nbt ilaç nbt life omegalife 2400 mg 60 kapsül 5 0 4 275 00 tl nbt ilaç nbt life İyotic duo 50 ml damla 5 0 3 98 70 tl

nbt for medunsa uniport edu ng - Oct 24 2021

nbt for medunsa online popcom gov - Mar 29 2022

web nbt beladan başka bir şey nbt komşu bağlama tablo nbt mahalle İncil zaman nbt net fren tork nbt najica blitz taktikleri nbt nano biyoteknoloji nbt nanoteknoloji

nbt for medunsa - Mar 09 2023

web jun 3 2023 nbt required at medunsa pdf but stop in the works in harmful downloads rather than enjoying a fine pdf later than a mug of coffee in the afternoon on the other

mbsts sınavı nedir mbsts dhbt ve görevde yükselme - Dec 06 2022

web may 9 2023 nbt for medunsa nbt for medunsa sefako makgatho health sciences university official site univervesity of medunsa second semester intake university of

nbt for medunsa online kptm edu my - Dec 26 2021

web jun 6 2023 nbt for medunsa 1 8 downloaded from uniport edu ng on june 6 2023 by guest nbt for medunsa this is likewise one of the factors by obtaining the soft

nbt required at medunsa uniport edu ng - Sep 22 2021

nbt required at medunsa media joomlashine com - May 31 2022

web if you effort to obtain and deploy the nbt for medunsa it is completely easy then at present we extend the associate to buy and create bargains to obtain and configure nbt

nbt for medunsa uniport edu ng - Nov 05 2022

web nbt 2012 all first medunsa application forms for admission 300 points are for your nbt results 100 points if for your letter of motivation south africa limpopo high court thu 05

nbt for medunsa housing gov - Sep 03 2022

web sağlık doğamızda var nbt İlaç 17 ağustos 2012 yılında farklı firmalarda gmp standartlarına uygun fason üretimler gerçekleştirerek pediatri jinekoloji ve otc alanında

nbt for medunsa erp flagtheory - Oct 04 2022

web april 20th 2018 school leavers writing the national senior certificate minimum nbt score out of 300 required performance levels may vary university of limpopo may 5th 2018

requirements to study medicine at medunsa sefako - Jul 13 2023

web aug 1 2023 pdf nbt required at medunsa download thu 29 mar 2018 14 27 00 gmt nbt required at smu researchers staff and students are invited to submit

2021 dİb mbsts ve 2020 kpss dhbt sınavları İçin sınav - Feb 08 2023

web mbsts kitabı mbsts kitapları dhbt hazırlık kitabı ve sınav hazırlık sitesi din görevlileri yayınları

nbt for medunsa uniport edu ng - Apr 10 2023

web apr 8 2021 duyuru 08 nisan 2021 2021 dİb mbsts ve 2020 kpss dhbt sınavları İçin sınav günü açık tutulacak İl İlçe nüfus müdürlükleri 10 nisan 2021 tarihinde

nbt required at medunsa gcampp licenses meras gov sa - Aug 02 2022

web nbt required at medunsa medicine wits university may 4th 2018 the bachelor of medicine amp bachelor of surgery nbt scores are used for required documentation and

nbt ne anlama geliyor nbt tanımları kısaltma bulucu - Jan 27 2022

web may 25 2023 nbt for medunsa 1 7 downloaded from uniport edu ng on may 25 2023 by guest nbt for medunsa recognizing the pretentiousness ways to acquire this ebook

medicine undergraduate admission requirements smu - Jun 12 2023

web apr 23 2023 nbt for medunsa 2 6 downloaded from uniport edu ng on april 23 2023 by guest chapters all text revised in light of current pharmaceutical practice new design

nbt for medunsa uniport edu ng - Nov 24 2021

web may 4 2023 kindly say the nbt required at medunsa is universally compatible with any devices to read science for ninth class part 2 chemistry lakhmir singh a series of

hostage to history travels in moldova english edi pdf - Jun 14 2023

web hostage to history travels in moldova english edi 2 7 downloaded from uniport edu ng on may 28 2023 by guest the evolution of special forces in counter terrorism j paul de b taillon 2001 the threat of terrorism knows no borders and given the complexities of today s global system no nation can afford to stand alone

emigration from moldova wikipedia - Mar 31 2022

web emigration in 2020 3 age 20 29 17 172 age 30 39 15 683 age 40 49 10 647 age 50 59 6 312 age 60 2 031 in 2023 70 of parents in moldova see their children future outside of the country worryingly where they are potential victims of fraud and exploitation as limited travel entry to another country does not give the right to work in that

today s and upcoming holidays in moldova timeanddate com - Feb 27 2022

web jan 27 2016 feb 14 wednesday valentine s day observance feb 15 thursday day of commemoration of the victims of the afghanistan war observance while we diligently research and update our holiday dates some of the information in

hostage to history travels in moldova english edi pdf - Sep 05 2022

web jun 30 2023 hostage to history travels in moldova english edi 1 7 downloaded from uniport edu ng on june 30 2023 by guest hostage to history travels in moldova english edi eventually you will very discover a supplementary experience and carrying out by spending more cash yet when attain you agree to that you require to get

hostage to history travels in moldova amazon com au - Feb 10 2023

web hostage to history travels in moldova bakshi akhil on amazon com au free shipping on eligible orders hostage to history travels in moldova

hostage to history travels in moldova english edi download - Nov 07 2022

web hostage to history travels in moldova english edi voyages and travel accounts in historiography and literature volume i hostage lands ban on u s travel to lebanon collected papers historical literary travel and miscellaneous hostage to history the cambridge history of iran our man in tehran hostage to history the time writer and

hostage to history travels in moldova english edition by akhil - Oct 06 2022

web we settle for hostage to history travels in moldova english edition by akhil bakshi and various books assortments from

fictions to scientific examinationh in any way along with tutorials you could indulge in the present is hostage to history travels in moldova english edition by akhil bakshi below our

hostage to history travels in moldova english edi copy - Aug 04 2022

web may 27 2023 hostage to history travels in moldova english edi right here we have countless books hostage to history travels in moldova english edi and collections to check out we additionally pay for variant types and afterward type of the books to browse the okay book fiction history novel scientific research as without difficulty as various

hostage to history travels in moldova english edi pdf - Dec 28 2021

web history travels in moldova english edi but end up in harmful downloads rather than enjoying a good book with a cup of coffee in the afternoon instead they are facing with some malicious virus inside their desktop computer hostage to history travels in moldova english edi is available in our digital library an online access to

hostage to history travels in moldova english edi old talentsprint - May 01 2022

web hostage to history travels in moldova english edi the cambridge history of iran i ll tell me ma the colours of history aguinaldo s hostage or dick carson s captivity among the filipinos hostage to history a quick history of the universe traitor or temptress mills boon historical

hostage to history travels in moldova english edi pdf - May 13 2023

web apr 23 2023 hostage to history travels in moldova english edi 1 10 downloaded from uniport edu ng on april 23 2023 by guest hostage to history travels in moldova english edi when somebody should go to the books stores search start by shop shelf by shelf it is in fact problematic this is why we present the ebook compilations in this website

hostage to history travels in moldova english edi pdf - Dec 08 2022

web apr 30 2023 hostage to history travels in moldova english edi 3 9 downloaded from uniport edu ng on april 30 2023 by guest second edition three years after the first the story of eastern europe s dramatic struggles to achieve properly functioning democracies and the rule of law rages on warranting deeper analysis and substantial updating

hostage to history travels in moldova english edi pdf - Mar 11 2023

web apr 11 2023 kindly say the hostage to history travels in moldova english edi is universally compatible with any devices to read islam authoritarianism and underdevelopment ahmet t kuru 2019 08 analyzes muslim countries

hostage to history travels in moldova english edi janusz - Jun 02 2022

web apr 14 2023 4724485 hostage to history travels in moldova english edi 1 3 downloaded from id blockchain idea gov vn on by guest hostage to history travels in moldova english edi yeah reviewing a book hostage to history travels in moldova english edi could accumulate your near connections listings

moldova tourist arrivals 2023 data 2024 forecast 2004 2022 - Jan 29 2022

web tourist arrivals in moldova increased to 42991 in the second quarter of 2023 from 38146 in the first quarter of 2023 tourist arrivals in moldova averaged 23782 32 from 2004 until 2023 reaching an all time high of 51355 00 in the third quarter of 2019 and a record low of 660 00 in the second quarter of 2020 this page provides the latest reported value for

hostage to history travels in moldova amazon com - Jul 15 2023

web nov 8 2018 the lavishly renovated churches in orhei curchi and chisinau celebrate the revival of religion however next door in transnistria a breakaway region of moldova little has changed since the days of the ussr hostages of history is a charming exploration of moldova europe s intriguing backwater with 59 illustrations

hostage to history travels in moldova english edi pdf - Jul 03 2022

web nov 9 2022 from scholars across the world this volume traces the history of travel writing from antiquity to the internet age it examines travel texts of several national or linguistic traditions introducing readers to the global

hostage to history travels in moldova english edi louise - Apr 12 2023

web hostage to history travels in moldova english edi this is likewise one of the factors by obtaining the soft documents of this hostage to history travels in moldova english edi by online you might not require more get older to spend to go to the book opening as well as search for them in some cases you

hostage to history travels in moldova english edition by akhil - Jan 09 2023

web aug 15 2023 april 28th 2020 buy hostage to history travels in moldova by bakshi akhil isbn 9789353219758 from s book store everyday low prices and free delivery on eligible orders full text of the times 1997 uk english

hostage to history travels in moldova english edi karl p - Aug 16 2023

web the hostage to history travels in moldova english edi is universally compatible similar to any devices to read the grand chessboard zbigniew brzezinski 2016 12 06 bestselling author and eminent foreign policy scholar zbigniew brzezinski s classic book on american s strategic mission in the modern world in the grand chessboard renowned

statistik angewandt mit excel datenanalyse ist k eine kunst - Nov 06 2022

web beides ist k eine kunst die statistischen methoden werden anhand eines einzigen datensatzes vorgestellt und diskutiert so wird deutlich wie die methoden aufeinander aufbauen und nach und nach immer mehr informationen aus

statistik angewandt mit dem r commander datenanalyse ist k eine kunst - Feb 09 2023

web jan 1 2021 beides ist k eine kunst die statistischen methoden werden anhand eines einzigen datensatzes vorgestellt und diskutiert so wird deutlich wie die methoden aufeinander aufbauen und

statistik angewandt datenanalyse ist k eine kunst google books - Apr 30 2022

web informationen aus daten zu gewinnen und einen datensatz systematisch zu analysieren ist k eine kunst statistik angewandt ist für all jene geschrieben die mit hilfe von daten informationen gewinnen wollen in diesem buch werden die für

eine datenanalyse benötigten methoden der statistik anhand eines einzigen datensatzes vorgestellt

statistik angewandt datenanalyse ist k eine kunst mit dem r - Jun 01 2022

web aug 28 2015 statistik angewandt datenanalyse ist k eine kunst mit dem r commander franz kronthaler springer verlag

aug 28 2015 business economics 319 pages informationen aus daten zu gewinnen und

statistik angewandt datenanalyse ist k eine kunst excel edition - Jan 28 2022

web aug 28 2015 statistik angewandt datenanalyse ist k eine kunst excel edition add to wishlist statistik angewandt

datenanalyse ist k eine kunst excel edition by franz kronthaler view more ebook 1 aufl 2016 22 49 29 99 save 25 current

price is 22 49 original price is 29 99 you save 25 ebook 1 aufl 2016

statistik angewandt statistik kronthaler ch - Mar 30 2022

web aug 16 2016 statistik angewandt ist so konzipiert dass es einen einfachen einstieg in die welt der datenanalyse

ermöglicht die methoden der statistik werden anhand eines zentralen datensatzes diskutiert wobei im vordergrund die

konzepte und die anwendung der statistik stehen

statistik angewandt datenanalyse ist k eine kunst excel edition - Oct 05 2022

web informationen aus daten zu gewinnen und einen datensatz systematisch zu analysieren ist k eine kunst für die aktuelle

version von statistik angewandt wurden zahlreiche features ergänzt um es dem leser noch einfacher

statistik angewandt datenanalyse ist k eine kunst mit dem r - May 12 2023

web informationen aus daten zu gewinnen und einen datensatz systematisch zu analysieren ist k eine kunst für die aktuelle

version von statistik angewandt wurden zahlreiche features ergänzt um es dem leser noch einfacher

statistik angewandt datenanalyse ist k eine kunst mit dem r - Aug 03 2022

web informationen aus daten zu gewinnen und einen datensatz systematisch zu analysieren ist k eine kunst für die aktuelle

version von statistik angewandt wurden zahlreiche features ergänzt um es dem leser noch einfacher

statistik angewandt mit dem r commander datenanalyse ist k eine kunst - Apr 11 2023

web dieses buch zeigt idieses buch zeigt ihnen wie sie mit dem r commander beinahe mühelos informationen aus daten

gewinnen und datensätze systematisch analysieren können beides ist k eine kunst die statistischen methoden werden anhand

eines einzigen datensatzes vorgestellt und diskutiert

statistik angewandt mit excel datenanalyse ist k eine kunst - Mar 10 2023

web jan 1 2021 dieses buch zeigt ihnen wie sie mit excel beinahe mühelos informationen aus daten gewinnen und

datensätze systematisch analysieren können beides ist k eine kunst die statistischen

statistik angewandt datenanalyse ist k eine kunst mit dem r - Feb 26 2022

web informationen aus daten zu gewinnen und einen datensatz systematisch zu analysieren ist k eine kunst für die aktuelle

version von statistik angewandt wurden zahlreiche features ergänzt um es dem leser noch einfacher

statistik angewandt mit excel datenanalyse ist k eine kunst - Jun 13 2023

web about this book dieses buch zeigt ihnen wie sie mit excel beinahe mühelos informationen aus daten gewinnen und datensätze systematisch analysieren können beides ist k eine kunst die statistischen methoden werden anhand eines einzigen datensatzes vorgestellt und

statistik angewandt datenanalyse ist k eine kunst springer - Dec 07 2022

web informationen aus daten zu gewinnen und einen datensatz systematisch zu analysieren ist k eine kunst statistik angewandt ist für all jene geschrieben die mit hilfe von daten informationen gewinnen wollen

statistik angewandt datenanalyse ist k eine kunst - Jul 02 2022

web statistik angewandt datenanalyse ist k eine kunst summary informationen aus daten zu gewinnen und einen datensatz systematisch zu analysieren ist k eine kunst statistik angewandt ist für all jene geschrieben die mit hilfe

statistik angewandt mit excel datenanalyse ist k eine kunst - Dec 27 2021

web jan 19 2021 beides ist k eine kunst die statistischen methoden werden anhand eines einzigen datensatzes vorgestellt und diskutiert so wird deutlich wie die methoden aufeinander aufbauen und nach und nach immer mehr informationen aus den daten entnommen werden können

statistik angewandt datenanalyse ist k eine kunst excel edition - Jul 14 2023

web informationen aus daten zu gewinnen und einen datensatz systematisch zu analysieren ist k eine kunst für die aktuelle version von statistik angewandt wurden zahlreiche features ergänzt um es dem leser noch einfacher

statistik angewandt datenanalyse ist k eine kunst springer - Aug 15 2023

web statistik angewandt ist für all jene geschrieben die mit hilfe von daten informationen gewinnen wollen in diesem buch werden die für eine datenanalyse benötigten methoden der statistik anhand eines einzigen datensatzes vorgestellt und diskutiert

statistik angewandt datenanalyse ist k eine kunst mit dem r - Sep 04 2022

web statistik angewandt datenanalyse ist k eine kunst mit dem r commander springer lehrbuch taschenbuch 15 september 2015 von franz kronthaler autor 11 sternbewertungen alle formate und editionen anzeigen kindle

statistik angewandt datenanalyse ist k eine kunst google books - Jan 08 2023

web jun 5 2014 informationen aus daten zu gewinnen und einen datensatz systematisch zu analysieren ist k eine kunst statistik angewandt ist für all jene geschrieben die mit hilfe von daten