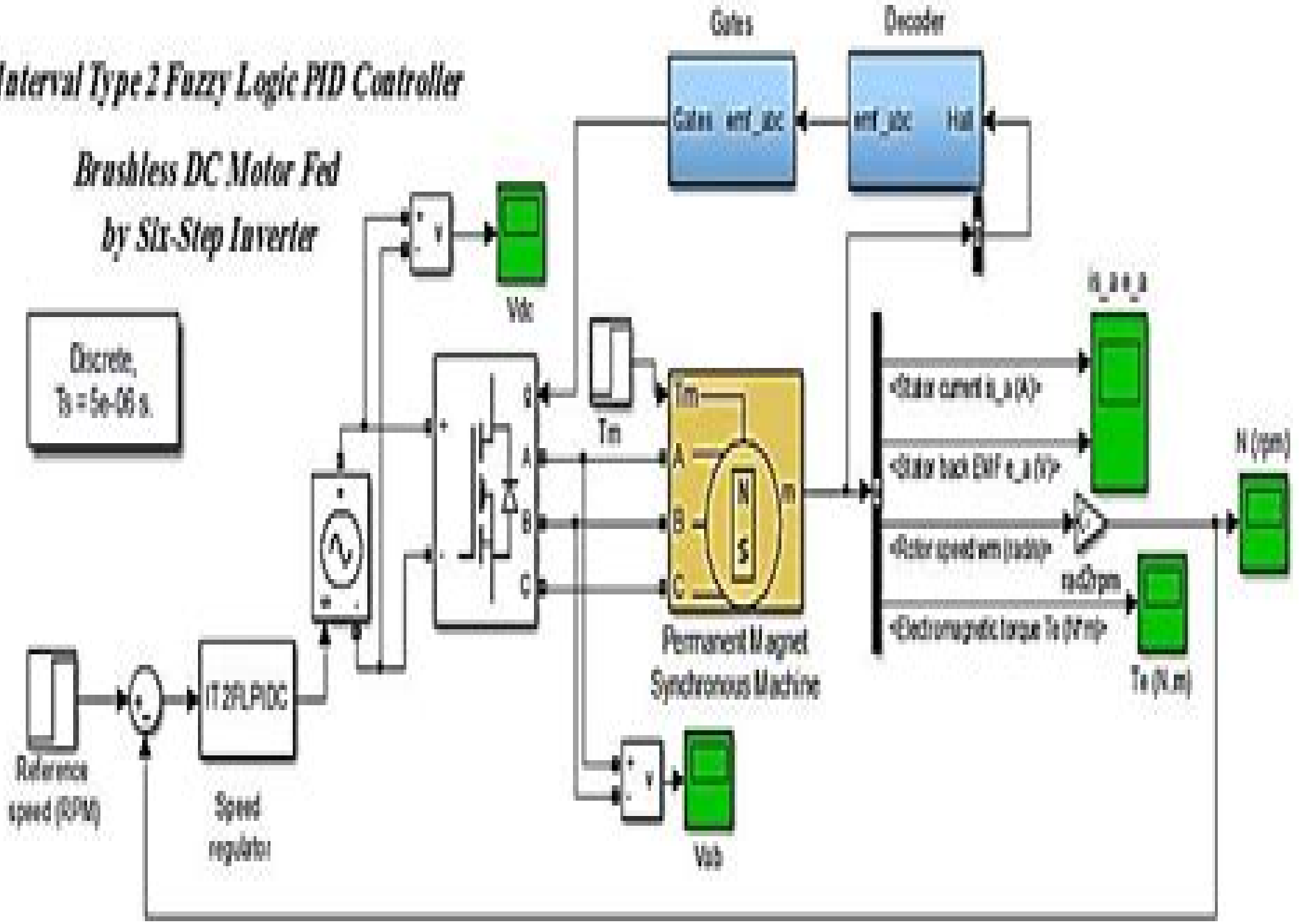


Interval Type 2 Fuzzy Logic PID Controller

Brushless DC Motor Fed by Six-Step Inverter

Discrete,
 $T_s = 5e-06$ s.



Bldc Motor Simulink Control

**S. Rama Reddy, Venkatesan
Jamuna, Nagarajan Booma, Natesan
Saritha**

Bldc Motor Simulink Control:

Metaheuristic Algorithms in Industry 4.0 Pritesh Shah, Ravi Sekhar, Anand J. Kulkarni, Patrick Siarry, 2021-09-28 Due to increasing industry 4.0 practices massive industrial process data is now available for researchers for modelling and optimization Artificial Intelligence methods can be applied to the ever increasing process data to achieve robust control against foreseen and unforeseen system fluctuations Smart computing techniques machine learning deep learning computer vision for example will be inseparable from the highly automated factories of tomorrow Effective cybersecurity will be a must for all Internet of Things IoT enabled work and office spaces This book addresses metaheuristics in all aspects of Industry 4.0 It covers metaheuristic applications in IoT cyber physical systems control systems smart computing artificial intelligence sensor networks robotics cybersecurity smart factory predictive analytics and more Key features Includes industrial case studies Includes chapters on cyber physical systems machine learning deep learning cybersecurity robotics smart manufacturing and predictive analytics surveys current trends and challenges in metaheuristics and industry 4.0 Metaheuristic Algorithms in Industry 4.0 provides a guiding light to engineers researchers students faculty and other professionals engaged in exploring and implementing industry 4.0 solutions in various systems and processes Automation and Control Constantin Volosencu, Serdar Küçük, José Guerrero, Oscar Valero, 2021-04-21 The book presents recent theoretical and practical information about the field of automation and control It includes fifteen chapters that promote automation and control in practical applications in the following thematic areas control theory autonomous vehicles mechatronics digital image processing electrical grids artificial intelligence and electric motor drives The book also presents and discusses applications that improve the properties and performances of process control with examples and case studies obtained from real world research in the field Automation and Control is designed for specialists engineers professors and students *Intelligent Computing in Control and Communication* G.T. Chandra Sekhar, H. S. Behera, Janmenjoy Nayak, Bighnaraj Naik, Danilo Pelusi, 2021-01-04 This book consists of peer reviewed papers presented at the First International Conference on Intelligent Computing in Control and Communication ICC3 2020 It comprises interesting topics in the field of applications of control engineering communication and computing technology As the current world is witnessing the use of various intelligent techniques for their independent problem solving so this book may have a wide importance for all range of researchers and scholars The book serves as a reference for researchers professionals and students from across electrical electronic and computer engineering disciplines *Smart Grid Stability and Control* Ram Krishan, Deepak Reddy Pullaguram, Surender Reddy Salkuti, 2025-08-02 This book features papers from the International Conference on Sustainable Power and Energy Research ICSPER 2024 Covering the spectrum of power and energy it focuses on various aspects of emerging technologies research ideas real time experiences and understanding of technology utilization in electrical power and energy systems The book introduces new ideas in Power system stability Operation and

Control Renewable energy resources and energy storage Power electronics drives and Electric vehicles Smart grid and wide area monitoring Data science applications and cyber security in power systems Energy market and deregulation Power System Protection Condition monitoring and HV engineering Soft computing Techniques in electrical engineering Power electronic applications in power systems

Recent Advances in Power Electronics and Drives Krishna Murari, Bhim Singh, Vijay Kumar Sood, 2024-03-23 This book entitled Recent Advances in Power Electronics and Drives Select Proceedings of EPREC 2023 provides rigorous discussions case studies and recent developments in the emerging areas of power electronics especially in power inverters and converters electrical drives regulated power supplies electric vehicle and its charging infrastructure etc The readers would benefit from enhancing their knowledge and skills in the domain areas Also this book may help the readers in developing new and innovative ideas The book can be a valuable reference for beginners researchers and professionals interested in advancements in power electronics and drives

AsiaSim 2014 Satoshi Tanaka, Kyoko Hasegawa, Rui Xu, Naohisa Sakamoto, Stephen John Turner, 2014-09-26 This book constitutes the refereed proceedings of the 14th International Conference on Systems Simulation Asia Simulation 2014 held in Kitakyushu Japan in October 2014 The 32 revised full papers presented were carefully reviewed and selected from 69 submissions The papers are organized in topical sections on modeling and simulation technology network simulation high performance computing and cloud simulation numerical simulation and visualization simulation of instrumentation and control application simulation technology in diversified higher education general purpose simulation

BLDC Motor Drive Simulation and Control Dr. Devendra Potnuru, Electric motors is necessary for all most of all practical systems and becoming integral part in everybody life of modern living It is hard to imagine that there are more than 700million electric motor drive systems of various sizes are operational throughout the world In the last few years conditions have been changed in adjustable speed drives due to wide spread use of power semiconductor devices with available ratings up to 6000V and 3000A without even connecting series or paralleling the devices The present competitive development in the solid state devices control systems and signal processing all over the world result in significant progress in performance of AC drives and decreasing the overall drive cost In order to meet different practical applications various types of motors such as synchronous motors induction motors DC motors switched reluctance motors from several milliwatts to millions of kilowatts The Permanent Magnet Brushless DC BLDC motors have been emerged in wide areas of real world applications due to their higher power density good dynamic performance and ease of control Further the motor has high efficiency over a good speed range In this book simulation of BLDC motor drive and its control is elaborately discussed and is useful for students and faculty members to understand the simulation and control aspect of BLDC motor drive

Industrial Applications of Power Electronics Eduardo M. G. Rodrigues, Edris Pouresmaeil, Radu Godina, 2020-12-01 In recent years power electronics have been intensely contributing to the development and evolution of new structures for the processing of energy They can be used in a wide range of

applications ranging from power systems and electrical machines to electric vehicles and robot arm drives In conjunction with the evolution of microprocessors and advanced control theories power electronics are playing an increasingly essential role in our society Thus in order to cope with the obstacles lying ahead this book presents a collection of original studies and modeling methods which were developed and published in the field of electrical energy conditioning and control by using circuits and electronic devices with an emphasis on power applications and industrial control Researchers have contributed 19 selected and peer reviewed papers covering a wide range of topics by addressing a wide variety of themes such as motor drives AC DC and DC DC converters multilevel converters varistors and electromagnetic compatibility among others The overall result is a book that represents a cohesive collection of inter multidisciplinary works regarding the industrial applications of power electronics

Automatic Control and Mechatronic Engineering III Abdel-Hamid I. Mourad,2014-08-11 Selected peer reviewed papers from the 3rd International Conference on Automatic Control and Mechatronic Engineering ICACME 2014 June 13 14 2014 Xiamen China *Intelligent Control of Brushless DC Motors for Hybrid Electric Vehicle Applications* Aayush Gupta,2010

Recent Trends in Engineering, Science and Technology Jyoti Sekhar Banerjee,Siddhartha Bhattacharyya,Debashis De,Jinia Datta,Panagiotis Sarigiannidis,Jan Platos,Muhammad Mujtaba Asad,2025-08-19 AIEST is a leading conference focused on providing a platform to researchers scholars engineers scientists and industrial professionals to gather knowledge and bridge the gap between academia and its industrial aspects around the world This conference will be an immersive experience primarily focusing on the latest advancements and researchers in various fields of engineering including but not limited to Mechanical Engineering Civil Engineering Electrical Engineering Electronics and Communications Engineering Computer Science Engineering Information Technology and other interdisciplinary areas AIEST will cater to the transitional practices where industrial knowledge would be conveyed to academia regarding real time scenarios and practical findings thus fostering collaboration and the development of innovative solutions to counter contemporary challenges in engineering and technology

IECON '01 IEEE Industrial Electronics Society. Conference,2001

Emerging Trends in Advanced Science S. Rama Reddy,Venkatesan Jamuna,Nagarajan Booma,Natesan Saritha,2014-08-28 Selected peer reviewed papers from the International Conference on Emerging Trends in Science Engineering and Technology ICETSET 2014 April 18 19 2014 Chennai India

Anais Do Workshop De Micro-ondas Alexandre Maniçoba De Oliveira,2025-05-18 Este livro a compila o de todos os artigos que foram apresentados no LBX WMO 24 XVI Workshop de Micro ondas do Laborat rio Maxwell em outubro de 2024 estando dispon veis para consulta digital pelo endere o <https://anais.wmo.labmax.org>

Instruments, Measurement, Electronics and Information Engineering J.Z. Ma,2013-08-08 Selected peer reviewed papers from the 2013 International Conference on Precision Mechanical Instruments and Measurement Technology ICPMIMT 2013 May 25 26 2013 Shenyang Liaoning China

Electric Motor Control Sang-Hoon Kim,2017-05-09 Electric Motor Control DC AC and BLDC Motors introduces practical

drive techniques of electric motors to enable stable and efficient control of many application systems also covering basic principles of high performance motor control techniques driving methods control theories and power converters Electric motor drive systems play a critical role in home appliances motor vehicles robotics aerospace and transportation heating ventilating and cooling equipment s robotics industrial machinery and other commercial applications The book provides engineers with drive techniques that will help them develop motor drive system for their applications Includes practical solutions and control techniques for industrial motor drive applications currently in use Contains MATLAB Simulink simulation files Enables engineers to understand the applications and advantages of electric motor drive systems **Indian Trade Journal** ,2006-06-10 Permanent Magnet Brushless DC Motor Drives and Controls Chang-liang Xia,2012-04-24 An advanced introduction to the simulation and hardware implementation of BLDC motor drives A thorough reference on the simulation and hardware implementation of BLDC motor drives this book covers recent advances in the control of BLDC motor drives including intelligent control sensorless control torque ripple reduction and hardware implementation With the guidance of the expert author team readers will understand the principle modelling design and control of BLDC motor drives The advanced control methods and new achievements of BLDC motor drives of interest to more advanced readers are also presented Focuses on the control of PM brushless DC motors giving readers the foundations to the topic that they can build on through more advanced reading Systematically guides readers through the subject introducing basic operational principles before moving on to advanced control algorithms and implementations Covers special issues such as sensorless control intelligent control torque ripple reduction and hardware implementation which also have applications to other types of motors Includes presentation files with lecture notes and Matlab 7 coding on a companion website for the book ICEMS'2001 Fengxiang Wang,Renyuan Tang,2001 **Integration of Control Software and Numerical Analysis for an Electrical Machines and Drives Teaching Studio** Korwin J. Anderson,2007

Reviewing **Bldc Motor Simulink Control**: Unlocking the Spellbinding Force of Linguistics

In a fast-paced world fueled by information and interconnectivity, the spellbinding force of linguistics has acquired newfound prominence. Its capacity to evoke emotions, stimulate contemplation, and stimulate metamorphosis is actually astonishing. Within the pages of "**Bldc Motor Simulink Control**," an enthralling opus penned by a highly acclaimed wordsmith, readers embark on an immersive expedition to unravel the intricate significance of language and its indelible imprint on our lives. Throughout this assessment, we shall delve in to the book is central motifs, appraise its distinctive narrative style, and gauge its overarching influence on the minds of its readers.

<https://yousky7.com/public/virtual-library/Documents/Cooper%20Light%20Switch%20Wiring%20Diagram.pdf>

Table of Contents Bldc Motor Simulink Control

1. Understanding the eBook Bldc Motor Simulink Control
 - The Rise of Digital Reading Bldc Motor Simulink Control
 - Advantages of eBooks Over Traditional Books
2. Identifying Bldc Motor Simulink Control
 - Exploring Different Genres
 - Considering Fiction vs. Non-Fiction
 - Determining Your Reading Goals
3. Choosing the Right eBook Platform
 - Popular eBook Platforms
 - Features to Look for in an Bldc Motor Simulink Control
 - User-Friendly Interface
4. Exploring eBook Recommendations from Bldc Motor Simulink Control
 - Personalized Recommendations
 - Bldc Motor Simulink Control User Reviews and Ratings
 - Bldc Motor Simulink Control and Bestseller Lists

5. Accessing Bldc Motor Simulink Control Free and Paid eBooks
 - Bldc Motor Simulink Control Public Domain eBooks
 - Bldc Motor Simulink Control eBook Subscription Services
 - Bldc Motor Simulink Control Budget-Friendly Options
6. Navigating Bldc Motor Simulink Control eBook Formats
 - ePub, PDF, MOBI, and More
 - Bldc Motor Simulink Control Compatibility with Devices
 - Bldc Motor Simulink Control Enhanced eBook Features
7. Enhancing Your Reading Experience
 - Adjustable Fonts and Text Sizes of Bldc Motor Simulink Control
 - Highlighting and Note-Taking Bldc Motor Simulink Control
 - Interactive Elements Bldc Motor Simulink Control
8. Staying Engaged with Bldc Motor Simulink Control
 - Joining Online Reading Communities
 - Participating in Virtual Book Clubs
 - Following Authors and Publishers Bldc Motor Simulink Control
9. Balancing eBooks and Physical Books Bldc Motor Simulink Control
 - Benefits of a Digital Library
 - Creating a Diverse Reading Collection Bldc Motor Simulink Control
10. Overcoming Reading Challenges
 - Dealing with Digital Eye Strain
 - Minimizing Distractions
 - Managing Screen Time
11. Cultivating a Reading Routine Bldc Motor Simulink Control
 - Setting Reading Goals Bldc Motor Simulink Control
 - Carving Out Dedicated Reading Time
12. Sourcing Reliable Information of Bldc Motor Simulink Control
 - Fact-Checking eBook Content of Bldc Motor Simulink Control
 - Distinguishing Credible Sources
13. Promoting Lifelong Learning

-
- Utilizing eBooks for Skill Development
 - Exploring Educational eBooks
14. Embracing eBook Trends
- Integration of Multimedia Elements
 - Interactive and Gamified eBooks

Bldc Motor Simulink Control Introduction

In today's digital age, the availability of Bldc Motor Simulink Control books and manuals for download has revolutionized the way we access information. Gone are the days of physically flipping through pages and carrying heavy textbooks or manuals. With just a few clicks, we can now access a wealth of knowledge from the comfort of our own homes or on the go. This article will explore the advantages of Bldc Motor Simulink Control books and manuals for download, along with some popular platforms that offer these resources. One of the significant advantages of Bldc Motor Simulink Control books and manuals for download is the cost-saving aspect. Traditional books and manuals can be costly, especially if you need to purchase several of them for educational or professional purposes. By accessing Bldc Motor Simulink Control versions, you eliminate the need to spend money on physical copies. This not only saves you money but also reduces the environmental impact associated with book production and transportation. Furthermore, Bldc Motor Simulink Control books and manuals for download are incredibly convenient. With just a computer or smartphone and an internet connection, you can access a vast library of resources on any subject imaginable. Whether you're a student looking for textbooks, a professional seeking industry-specific manuals, or someone interested in self-improvement, these digital resources provide an efficient and accessible means of acquiring knowledge. Moreover, PDF books and manuals offer a range of benefits compared to other digital formats. PDF files are designed to retain their formatting regardless of the device used to open them. This ensures that the content appears exactly as intended by the author, with no loss of formatting or missing graphics. Additionally, PDF files can be easily annotated, bookmarked, and searched for specific terms, making them highly practical for studying or referencing. When it comes to accessing Bldc Motor Simulink Control books and manuals, several platforms offer an extensive collection of resources. One such platform is Project Gutenberg, a nonprofit organization that provides over 60,000 free eBooks. These books are primarily in the public domain, meaning they can be freely distributed and downloaded. Project Gutenberg offers a wide range of classic literature, making it an excellent resource for literature enthusiasts. Another popular platform for Bldc Motor Simulink Control books and manuals is Open Library. Open Library is an initiative of the Internet Archive, a non-profit organization dedicated to digitizing cultural artifacts and making them accessible to the public. Open Library hosts millions of books, including both public domain works and contemporary titles. It also allows users to borrow digital copies of certain

books for a limited period, similar to a library lending system. Additionally, many universities and educational institutions have their own digital libraries that provide free access to PDF books and manuals. These libraries often offer academic texts, research papers, and technical manuals, making them invaluable resources for students and researchers. Some notable examples include MIT OpenCourseWare, which offers free access to course materials from the Massachusetts Institute of Technology, and the Digital Public Library of America, which provides a vast collection of digitized books and historical documents. In conclusion, Bldc Motor Simulink Control books and manuals for download have transformed the way we access information. They provide a cost-effective and convenient means of acquiring knowledge, offering the ability to access a vast library of resources at our fingertips. With platforms like Project Gutenberg, Open Library, and various digital libraries offered by educational institutions, we have access to an ever-expanding collection of books and manuals. Whether for educational, professional, or personal purposes, these digital resources serve as valuable tools for continuous learning and self-improvement. So why not take advantage of the vast world of Bldc Motor Simulink Control books and manuals for download and embark on your journey of knowledge?

FAQs About Bldc Motor Simulink Control Books

How do I know which eBook platform is the best for me? Finding the best eBook platform depends on your reading preferences and device compatibility. Research different platforms, read user reviews, and explore their features before making a choice. Are free eBooks of good quality? Yes, many reputable platforms offer high-quality free eBooks, including classics and public domain works. However, make sure to verify the source to ensure the eBook credibility. Can I read eBooks without an eReader? Absolutely! Most eBook platforms offer webbased readers or mobile apps that allow you to read eBooks on your computer, tablet, or smartphone. How do I avoid digital eye strain while reading eBooks? To prevent digital eye strain, take regular breaks, adjust the font size and background color, and ensure proper lighting while reading eBooks. What the advantage of interactive eBooks? Interactive eBooks incorporate multimedia elements, quizzes, and activities, enhancing the reader engagement and providing a more immersive learning experience. Bldc Motor Simulink Control is one of the best book in our library for free trial. We provide copy of Bldc Motor Simulink Control in digital format, so the resources that you find are reliable. There are also many Ebooks of related with Bldc Motor Simulink Control. Where to download Bldc Motor Simulink Control online for free? Are you looking for Bldc Motor Simulink Control PDF? This is definitely going to save you time and cash in something you should think about. If you trying to find then search around for online. Without a doubt there are numerous these available and many of them have the freedom. However without doubt you receive whatever you purchase. An alternate way to get ideas is always to check another Bldc Motor Simulink Control. This

method for see exactly what may be included and adopt these ideas to your book. This site will almost certainly help you save time and effort, money and stress. If you are looking for free books then you really should consider finding to assist you try this. Several of Bldc Motor Simulink Control are for sale to free while some are payable. If you arent sure if the books you would like to download works with for usage along with your computer, it is possible to download free trials. The free guides make it easy for someone to free access online library for download books to your device. You can get free download on free trial for lots of books categories. Our library is the biggest of these that have literally hundreds of thousands of different products categories represented. You will also see that there are specific sites catered to different product types or categories, brands or niches related with Bldc Motor Simulink Control. So depending on what exactly you are searching, you will be able to choose e books to suit your own need. Need to access completely for Campbell Biology Seventh Edition book? Access Ebook without any digging. And by having access to our ebook online or by storing it on your computer, you have convenient answers with Bldc Motor Simulink Control To get started finding Bldc Motor Simulink Control, you are right to find our website which has a comprehensive collection of books online. Our library is the biggest of these that have literally hundreds of thousands of different products represented. You will also see that there are specific sites catered to different categories or niches related with Bldc Motor Simulink Control So depending on what exactly you are searching, you will be able tochoose ebook to suit your own need. Thank you for reading Bldc Motor Simulink Control. Maybe you have knowledge that, people have search numerous times for their favorite readings like this Bldc Motor Simulink Control, but end up in harmful downloads. Rather than reading a good book with a cup of coffee in the afternoon, instead they juggled with some harmful bugs inside their laptop. Bldc Motor Simulink Control is available in our book collection an online access to it is set as public so you can download it instantly. Our digital library spans in multiple locations, allowing you to get the most less latency time to download any of our books like this one. Merely said, Bldc Motor Simulink Control is universally compatible with any devices to read.

Find Bldc Motor Simulink Control :

[cooper light switch wiring diagram](#)

[content vocabulary activity 30 answers](#)

continental l head engine manual

coolmax cug 950b user guide

cool science facts about bacteria

[contes de terreur](#)

[cookie jars for sale by collectors](#)

[continental drift laboratory manual](#)

[cookie monster cake recipe](#)

convert paper book to

[cooking power leveling guide](#)

[converting automatic to manual accord](#)

[continental tmd27 manual](#)

[converting exponential to logarithmic kuta](#)

[cool science facts animals](#)

Bldc Motor Simulink Control :

[all the colors we are todos los colores de nuestra pie](#) - Jul 15 2023

web jul 1 1994 this bilingual book english spanish is called all the colors we are the story of how we get our skin color and it is written by katie kissinger this book uses simple scientifically accurate words about how our skin color is determined by our ancestors the sun and melanin

all the colors we are todos los colores de nuestra piel the - Dec 08 2022

web all the colors we are todos los colores de nuestra piel the story of how we get our skin color la historia de por qué tenemos diferentes colores de piel kissinger katie amazon com mx libros los más vendidos libros de texto libros

[all the colors we are todos los colores de nuestra piel the](#) - Jan 09 2023

web all the colors we are todos los colores de nuestra piel the story of how we get our skin color la historia de por que tenemos diferentes colores de piel katie kissinger amazon co uk books

[all the colors we are todos los colores de nuestra piel the](#) - Feb 27 2022

web buy all the colors we are todos los colores de nuestra piel the story of how we get our skin color la historia de por que tenemos diferentes colores de piel by kissinger katie online on amazon ae at best prices fast and free shipping free returns cash on delivery available on eligible purchase

all the colors we are todos los colores de nuestra piel the - Sep 05 2022

web feb 1 2016 hardcover 15 99 41 used from 7 72 30 new from 14 80 colorful photographs and engaging english spanish text showcase the beautiful diversity of skin color this twentieth anniversary edition offers young children a simple scientifically accurate explanation for how we get our skin color

[all the colors we are todos los colores de nuestra piel by](#) - Aug 16 2023

web jul 5 2020 learn more all the colors we are the story of how we get our skin color written by katie kissinger

photography by chris bohnhoff this read aloud is in both english and in spanish

all the colors we are todos los colores de nuestra piel hoopla - Jun 02 2022

web read all the colors we are todos los colores de nuestra piel by katie kissinger for free on hoopla colorful photographs and engaging english spanish text showcase the beautiful diversity of skin color hoopladigital.com

all the colors we are todos los colores de nuestra piel oliver - Dec 28 2021

web without difficulty as sharpness of this all the colors we are todos los colores de nuestra piel can be taken as capably as picked to act the friends of eddie coyle george v higgins 2010 04 27 the classic novel from america s best crime novelist time with a new introduction by dennis lehane george v higgins s

all the colors we are todos los colores de nuestra piel skin color - Mar 31 2022

web i do not own the rights to this story please purchase your own copy if you haven t already from the following link amazon.com colors todos color

all the colors we are todos los colores de nuestra piel the - May 13 2023

web jul 1 2002 all the colors we are todos los colores de nuestra piel the story of how we get our skin color spanish edition kissinger katie krutein wernher on amazon.com free shipping on qualifying offers

all the colors we are todos los colores de nuestra piel the - Jan 29 2022

web jan 1 1994 all the colors we are todos los colores de nuestra piel the story of how we get katie kissinger on amazon.com free shipping on qualifying offers all the colors we are todos los colores de nuestra piel the story of how we get

all the colors we are todos los colores de nuestra piel the - May 01 2022

web celebrate the essence of one way we are all special and different from one another our skin color this bilingual english spanish book offers children a simple scientifically accurate explanation about how our skin color is determined by

all the colors we are todos los colores de nuestra piel - Nov 07 2022

web oct 22 2020 all the colors we are written by katie kissinger is a nonfiction children s book that uses science to talk about the color of our skin when we use terms like black and white we are referring to the social construct of race which is different from talking about the actual color of our skin

all the colors we are todos los colores de nuestra piel the - Mar 11 2023

web all the colors we are todos los colores de nuestra piel the story of how we get our skin color la historia de por que tenemos diferentes colores de piel katie kissinger amazon.com tr

read along all the colors we are todos los colores de nuestra piel - Aug 04 2022

web join us as we read all the colors we are todos los colores de nuestra piel the story of how we get our skin color la historia de por qué tenemos diferentes

all the colors we are todos los colores de nuestra piel the - Feb 10 2023

web all the colors we are todos los colores de nuestra piel the story of how we get our skin color la historia de por qu te kissinger katie 9781605540795 books amazon ca start here 23 44 books children s books geography cultures buy new 27 95 free delivery sunday july 16 on your first order order within 3 hrs 23 mins details

all the colors we are todos los colores de nuestra piel - Oct 06 2022

web all the colors we are todos los colores de nuestra piel captures the essence of one way we are special and different from one another skin colour we are all shades of brown and tan and this engaging book explains how all the colours we are come from our ancestors the sun and the pigment melanin this twentieth anniversary edition features

all the colors we are todos los colores de nuestra piel the - Jul 03 2022

web celebrate the essence of one way we are all special and different from one another our skin color this bilingual english spanish book offers children a simple scientifically accurate explanation about how our skin color is determined by

all the colors we are todos los colores de nuestra piel the - Jun 14 2023

web feb 11 2014 all the colors we are todos los colores de nuestra piel the story of how we get our skin color la historia de por qué tenemos diferentes colores de piel kissinger katie on amazon com free shipping on qualifying offers

all the colors we are todos los colores de nuestra piel kobo com - Apr 12 2023

web rakuten kobo dan katie kissinger tarafından all the colors we are todos los colores de nuestra piel the story of how we get our skin color la historia de por qué tenemos diferentes colores de piel kitabını okuyun the essential resource for 20 years celebrate the essence of one way we are all sp

modern tanks and afvs 1991 present armoured fighting - Mar 30 2022

web modern tanks and afvs 1991 present armoured fighting vehicles technical guides hart dr stephen hart professor russell a amazon es libros

modern tanks and afvs 1991 present amazon ca - Nov 06 2022

web may 7 2019 organized chronologically by type modern tanks offers a colorfully illustrated guide to the main armored fighting vehicles used since 1990 from the gulf wars to afghanistan chechnya to the crimea and ukraine yemen to the syrian civil war modern warfare has made strategic use of tanks and avfs

modern tanks and afvs 1991 present armoured fighting - Mar 10 2023

web from the gulf wars of 1991 and 2003 to afghanistan from chechnya to the crimea to ukraine from yemen to the syrian civil war the book features main battle tanks armoured personnel carriers infantry fighting vehicles self

[modern tanks and afvs 1991 present armoured fighting vehicles](#) - Aug 15 2023

web modern tanks and afvs 1991 present armoured fighting vehicles hart dr stephen hart professor russell a amazon sg

books

[modern tanks and afvs 1991 present armoured fighting vehicles](#) - Sep 04 2022

web apr 14 2019 from the gulf wars of 1991 and 2003 to afghanistan from chechnya to the crimea to ukraine from yemen to the syrian civil war the book features main battle tanks armoured personnel carriers infantry fighting vehicles self

[list of modern armoured fighting vehicles wikipedia](#) - Jul 02 2022

web this article lists modern armoured fighting vehicles afvs produced or used after the second world war algeria afvs produced in algeria bcl m5 argentina afvs produced in argentina tam vctp patagón australia afvs produced in australia wheeled armoured fighting vehicles aslav australian lav 25 series boxer afv armoured personnel

[modern tanks and afvs 1991 present yes24](#) - Jan 28 2022

web organised chronologically by type modern tanks and afvs offers a highly illustrated guide to the main armoured fighting vehicles used around the

modern tanks and afvs 1991 present technical guides - Oct 05 2022

web from the gulf wars to afghanistan chechnya to the crimea and ukraine yemen to the syrian civil war modern warfare has made strategic use of tanks and afvs here s all every military enthusiast needs to know about those main battle tanks armored personnel carriers infantry fighting vehicles self propelled guns and other vehicles

[modern tanks and afvs 1991 present technical guides](#) - Jun 13 2023

web may 7 2019 hardcover 27 89 5 used from 20 70 24 new from 22 01 organized chronologically by type modern tanks offers a colorfully illustrated guide to the main armored fighting vehicles used since 1990 from the gulf wars to afghanistan chechnya to the crimea and ukraine yemen to the syrian civil war modern warfare has made

modern tanks and afvs 1991 present armoured fighting vehicles - May 12 2023

web organised chronologically by type modern tanks and afvs offers a highly illustrated guide to the main armoured fighting vehicles used since 1990 from the gulf wars of 1991 and 2003 to afghanistan from chechnya to the crimea to ukraine from yemen to the syrian civil war the book features main battle tanks armoured personnel carriers

modern tanks and afvs 1991 present barnes noble - Dec 07 2022

web may 7 2019 from the gulf wars to afghanistan chechnya to the crimea and ukraine yemen to the syrian civil war modern warfare has made strategic use of tanks and afvs here s all every military enthusiast needs to know about those main battle tanks armored personnel carriers infantry fighting vehicles self propelled guns and other vehicles

modern tanks and afvs 1991 present armoured fighting - Feb 26 2022

web buy modern tanks and afvs 1991 present armoured fighting vehicles by dr stephen hart professor russell a hart online at alibris we have new and used copies available in 1 editions starting at 20 62 shop now

modern tanks and afvs 1991 present armoured fighting - Jan 08 2023

web oct 22 2020 from the gulf wars of 1991 and 2003 to afghanistan from chechnya to the crimea to ukraine from yemen to the syrian civil war the book features main battle tanks armoured personnel carriers infantry fighting vehicles self

modern tanks technical guides 1991 present armoured fighting - Feb 09 2023

web modern tanks technical guides 1991 present armoured fighting vehicles by dr stephen hart professor russell hart isbn 10 1782747257 isbn 13 9781782747253 amber books ltd 2019 hardcover

modern tanks and afvs 1991 present armoured fight philip - Dec 27 2021

web we provide modern tanks and afvs 1991 present armoured fight and numerous book collections from fictions to scientific research in any way in the middle of them is this modern tanks and afvs 1991 present armoured fight that can be your partner modern artillery ian hogg 2022 02 tanks richard ogorkiewicz 2015 02 20

modern tanks and afvs 1991 present google books - Jul 14 2023

web apr 4 2019 modern tanks and afvs 1991 present russell hart dr stephen hart hart professor russell stephen hart amber books apr 4 2019 history 224 pages organized chronologically by

modern tanks and afvs youtube - Jun 01 2022

web organized chronologically by type modern tanks offers a colorfully illustrated guide to the main armored fighting vehicles used since 1990 from the gulf wars to afghanistan chechnya to

modern tanks and afvs 1991 present armoured fighting - Apr 11 2023

web from the gulf wars of 1991 and 2003 to afghanistan from chechnya to the crimea to ukraine from yemen to the syrian civil war the book features main battle tanks armoured personnel carriers infantry fighting vehicles self

modern tanks and afvs 1991 present armoured fighting vehicles - Aug 03 2022

web apr 14 2019 organised chronologically by type modern tanks and afvs offers a highly illustrated guide to the main armoured fighting vehicles used since 1990 from the gulf wars of 1991 and 2003 to afghanistan from chechnya to the crimea to ukraine from yemen to the syrian civil war the book features main battle tanks armoured

modern tanks and afvs 1991 present amazon fr - Apr 30 2022

web amazon fr modern tanks and afvs 1991 present hart dr stephen hart professor russell a livres livres sciences humaines politique livraison prioritaire profitez de tous les avantages de livraison en vous inscrivant à prime neuf 30 60 tous les prix incluent la tva retours gratuits livraison à 0 01 mercredi 16 août détails

10 examples of thank you for your business emails - Jun 07 2022

web here are 10 perfect examples of thank you for your business emails along with 18 vital do s and don ts when creating your own email

[how to write an effective thank you for applying letter](#) - Mar 04 2022

web feb 17 2023 follow these basic steps to write a thank you letter to applicants 1 write a clear subject line your email subject line should be clear so the recipient knows what the letter is in regards to before opening it for example your subject could be thank you for your application or your application for position

[thank you for your interest letter how to templates examples](#) - Oct 23 2023

web a thank you for your interest letter also tells the aspiring candidate that you have received their application and have reviewed it as well it further assures the candidate that their resume has been scrutinized and kept in the company s database for future reference

10 other ways to say thank you for your interest - Feb 03 2022

web thank you for your interest in our event thank you for your interest in our services thank you for your interest in doing business with our company finally the following variations allow you to relate someone s interest to a job application thank you for your interest in the job thank you for your interest in applying for the position

[how to write a business thank you letter with examples](#) - Aug 21 2023

web jun 22 2023 sending a professional thank you letter is a great way to build rapport with your network and communicate your intentions for the future in this article we discuss when to send a business thank you letter and provide examples to

17 free business thank you letter examples doc formats - Jul 20 2023

web what is a business thank you letter this is a simple note to express gratitude to those who have done something special for you throughout your business career this letter recognizes the efforts others have done to help you and a simple note of thanks does go a long way in the business world

saturday vigil mass 33rd sunday in ordinary time november 18 - Aug 29 2021

web nov 18 2023 readings usccb org bible readings archbishop s appeal text to give 210 750 6712 keyword appeal give online at

[12 better ways to say thank you for your interest grammarhow](#) - Sep 22 2023

web 1 thank you for asking thank you for asking is a great synonym in this situation it means that someone has asked you a question and you are appreciative of it if you have a good answer it s worth using this phrase to start your email dear tom thank you for asking about this situation

[20 professional ways to say thank you in english for strong business](#) - Dec 13 2022

web jul 25 2023 thank you for your help in business activity you could begin with a phrase like this to briefly include your reason for thanking them thank you for your help in securing an alternative supplier when our shipping consignment was delayed recently we re grateful for your support in business activity

7 ways to say thank you for your consideration in an email or letter - Mar 16 2023

web jan 7 2020 1 thank you for your time depending on how far along the prospect got in the sales process chances are they invested a good amount of time considering your offer even if they go with a competitor acknowledging and thanking your contact for the time they spent learning about your product can be an impactful way to build relationships

thank someone for an inquiry example letters guides and - Sep 10 2022

web thank you for your recent inquiry regarding our garden tractors thank you very much for your interest in doe tools thank you for your interest in studying at doe academy thank you for your inquiry regarding opportunities for summer employment thank you for your inquiry into the vitamin packages we currently offer at most health food stores

50 thank you for your business notes for email and cards - Oct 11 2022

web jul 20 2017 1 thank you for your continuous trust in our business it brings us great joy to serve you i hope we can continue to earn your business and if you have any comments or concerns please let us know so we can help you better 2 your unending support of our business does not go unnoticed we would like to thank you for continually choosing us

formal thank you letters what they are and how to write them - Apr 17 2023

web jul 5 2023 not only can you express your gratitude in a thank you letter but you can reiterate your interest and desire in building upon the professional connection you made additionally formal thank you letters remind your contacts of who you are and can create opportunities for future communication

how to write a thank you letter inc com - Jan 02 2022

web nov 22 2023 use the words thank you if you write i appreciate all your efforts you are talking about yourself and how you feel instead use the words thank you in linguistics thanking is

steal these 25 thank you for your business messages avochato - Dec 01 2021

web thank you for your order on date we look forward to doing business with you again thank you for your valued business we value your trust and confidence in us and sincerely appreciate you your commitment as a customer is much appreciated we look forward to serving you again in the future

how to say thank you for your interest in an email - Aug 09 2022

web may 21 2023 i appreciate your interest thank you for asking many thanks for your inquiry thank you for considering me i appreciate your consideration thank you for contacting thank you for reaching out thank you for showing interest we re grateful for your interest 1 thanks for getting in touch

professional thank you letter examples and writing tips the - May 18 2023

web mar 23 2021 business thank you letters thank you letters are important for a variety of business related circumstances review business thank you letter samples for professional and employment related scenarios including thank you letters for

employees employers colleagues clients and networking contacts email thank you messages

100 fantastic thanksgiving messages for businesses small business - Sep 29 2021

web nov 17 2023 prioritizing gratitude is perceived positively by customers employees and partners fostering brand loyalty and goodwill strengthening business resilience a culture of gratitude fosters unity helping businesses navigate challenges and crises with support from a cohesive team enhancing customer experience

how to write the perfect thank you letter grammarly - Jan 14 2023

web may 13 2019 hi name thank you for specific statement about what you re thanking the recipient for sentence about why the person s contribution deserves your gratitude sentence explaining the positive effect the recipient s contribution had optional reiterate your thanks or offer a compliment or other friendly comment

60 thank you message corporate to appreciate your partners - Apr 05 2022

web jul 20 2023 1 we extend our heartfelt gratitude for your unwavering support and trust together we achieve greatness 2 thank you for being an integral part of our success story your dedication and collaboration are deeply appreciated 3 your partnership has been a catalyst for growth and progress we couldn t have done it without you thank you

7 thank you for your inquiry email and phrase samples - Jul 08 2022

web sep 2 2021 thank you for your inquiry 4 copy to text blaze dear we genuinely appreciate your letter inquiring about our new document management suite we ve put in a lot of hard work over the past year to launch this new version and it makes our day to hear positive feedback like yours

9 other ways to say thank you for your interest - Nov 12 2022

web thank you for your interest is clearly effective in most formal instances with that said we still recommend having a few alternatives ready to keep your emails interesting keep reading to find out how to acknowledge someone s interest we will also provide an email example for each phrase to show you how they work

19 excellent thank you for your interest notes - Oct 31 2021

web sep 10 2022 i value your thoughts on this matter thank you so much for everything you ve done thus far thank you for your interest 3 i appreciate your good insight i am well aware of the gravity of the situation i ll continue to keep an eye on these thank you for your interest 4 i appreciate your consideration

32 professional thank you email templates for any occasion - Jun 19 2023

web sep 16 2022 a thank you email is exactly what it sounds like a letter expressing gratitude as part of customer service to a colleague partner or your higher ups for a certain action such an action could be booking a demo with you a job interview a successful sale or literally anything else

the art of gratitude how to write business thank you letters - Feb 15 2023

web apr 19 2021 thank you for your excellent communication and support during the project i appreciated your organization and attention to detail you made some valuable points regarding the work and i ve passed that feedback along to other team members i learned a lot especially regarding content management and enjoyed working with you and

24 genuine thank you for your business messages to textline - May 06 2022

web 1 general thank you for your business we are honored to be your business of choice and hope we can continue to meet your expectations 2 send a coupon 3 provide a token of gratitude hi gary