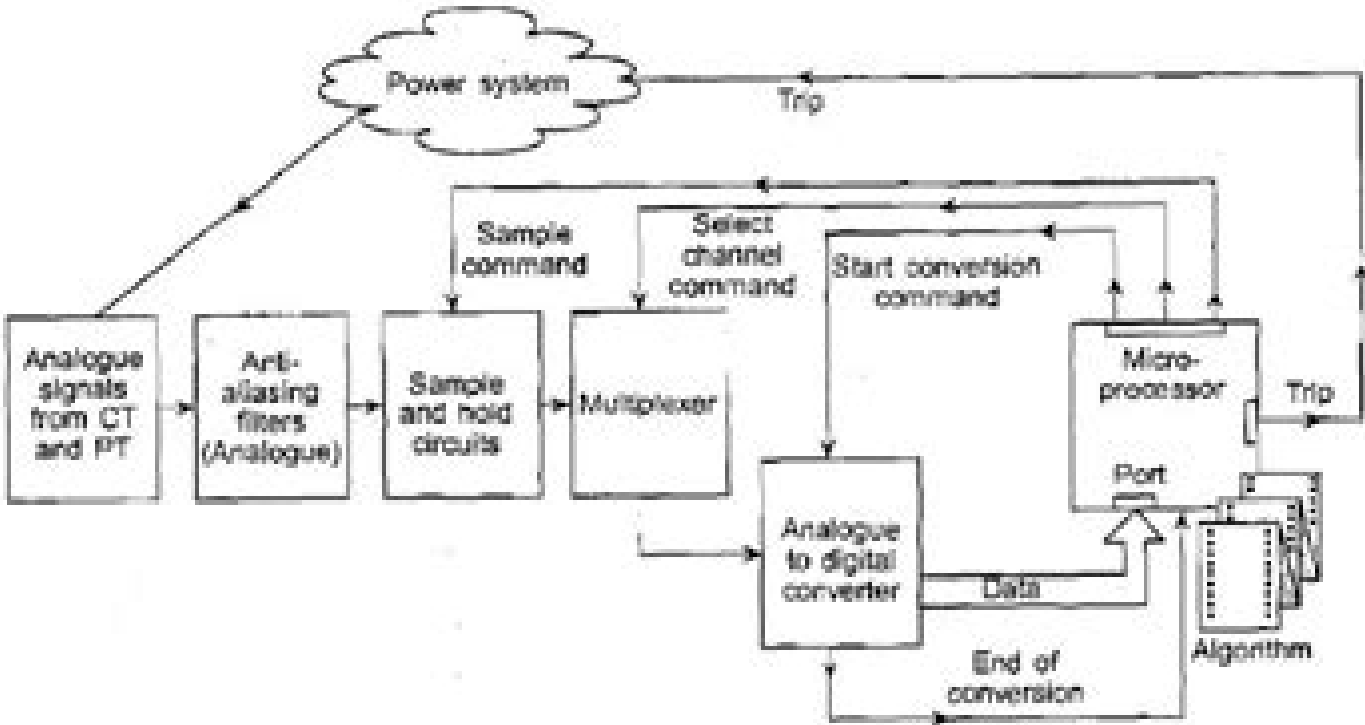


Block Diagram of Numerical Relay



Block Diagram Of Numerical Relay

JR Anderson



Block Diagram Of Numerical Relay:

Practical Power System Protection Leslie Hewitson, Mark Brown, Ramesh Balakrishnan, 2005-02-28 Designed to increase understanding on a practical and theoretical basis this invaluable resource provides engineers plant operators electricians and technicians with a thorough grounding in the principles and practicalities behind power system protection Coverage of the fundamental knowledge needed to specify use and maintain power protection systems is included helping readers to increase plant efficiency performance and safety Consideration is also given to the practical techniques and engineering challenges encountered on a day to day basis making this an essential resource for all

Digital Power System Protection Mr. Sanjeev Pandey, 2024-08-16 Discusses microprocessor based relays digital fault detection communication protocols and automation in power system protection

Power System Switchgear and Protection Veerappan N. & Krishnamurthy S.R., 2009 Introduction Operating Principles And Relays Construction Apparatus Protection Theory Of Arc Interruption Fuses Circuit Breakers Protection Against Over Voltage References

Power System Protection and Switchgear: Principles and Applications Dr. Chirag Gupta, Dr. Abhimanyu Kumar, Dr. Priyanka Maheshwari, Dr Varsha Pramila, 2025-09-24 Substation equipment is essential for the transmission and distribution of electrical power because it guarantees the safe and effective conversion of voltage levels as well as the safety and control of power flow within the grid Additionally it ensures that the grid will run safely and efficiently This is due to the fact that it guarantees the conversion of the voltage levels between the various levels being altered Disconnect switches busbars transformers and circuit breakers are some of the components that are constantly required Among the other essential components are disconnect switches The devices known as transformers are in charge of modifying the voltage levels to guarantee effective transmission across long distances Disconnect switches and circuit breakers provide the same function of isolating issues so that repairs can be made when necessary Protective relays and monitoring systems are in charge of identifying unusual activity and responding appropriately to preserve system stability Ensuring the stability of the system is the aim of this action The devices responsible for regulating the electrical quality are reactors and capacitors To do this they specifically regulate reactive power and voltage These different pieces of equipment must work together to keep the grid reliable and avoid overloads malfunctions and service outages

Protection of Modern Power Systems Janaka B. Ekanayake, Vladimir Terzija, Ajith Tennakoon, Athula Rajapakse, 2023-06-12 Protection of Modern Power Systems Familiarize yourself with the cutting edge of power system protection technology All electrical systems are vulnerable to faults whether produced by damaged equipment or the cumulative breakdown of insulation Protection from these faults is therefore an essential part of electrical engineering and the various forms of protection that have developed constitute a central component of any course of study related to power systems Particularly in recent decades however the demands of decarbonization and reduced dependency on fossil fuels have driven innovation in the field of power systems With new systems and paradigms come new kinds of faults and

new protection needs which promise to place power systems protection once again at the forefront of research and development Protection of Modern Power Systems offers the first classroom ready textbook to fully incorporate developments in renewable energy and smart power systems into its overview of the field It begins with a comprehensive guide to the principles of power system protection before surveying the systems and equipment used in modern protection schemes and finally discussing new and emerging protection paradigms It promises to become the standard text in power system protection classrooms Protection of Modern Power Systems readers will also find Treatment of the new faults and protection paradigms produced by the introduction of new renewable generators Discussion of SmartGrids intelligently controlled active systems designed to integrate renewable energy into the power system and their protection needs Detailed exploration of Synchronized Measurement Technology and Intelligent Electronic Devices Accompanying website to include Solutions Manual for instructors Protection of Modern Power Systems is an essential resource for students researchers and system engineers looking for a working knowledge of this critical subject

Switch Gear & Protection EduGorilla Prep Experts,2024-08-27 EduGorilla Publication is a trusted name in the education sector committed to empowering learners with high quality study materials and resources Specializing in competitive exams and academic support EduGorilla provides comprehensive and well structured content tailored to meet the needs of students across various streams and levels

Electrical Manufacturing ,1959 Electro Technology Newsletter Stanley A. Dennis,Leon Irving Thomas,1959 **IEEE Transmission and Distribution Conference and Exposition** ,2001 Conference Papers ,1991 IAS '98 IEEE Industry Applications Society. Meeting,1998 **Computer Handbook** ,1962 **PICA Conference Proceedings** ,
Engineering Graphics and Design with Computer Applications David I. Cook,Robert N. McDougal,1985 **Control Engineering** ,1969 Instrumentation and automatic control systems *International Conference, Modern Trends in the Protection Schemes of Electric Power Apparatus and Systems, 28-30, October 1998, New Delhi, India* ,1998

Transactions American Institute of Electrical Engineers,1928 List of members in v 7 15 17 19 20 Oceans '89: Navigation ; Remote sensing ; Underwater vehicles ,1989 *Discussions and Closures of Abstracted Papers from the Winter Meeting, New York, January 29-February 3, 1978* IEEE Power Engineering Society,1978 *Electronics* ,1953

This is likewise one of the factors by obtaining the soft documents of this **Block Diagram Of Numerical Relay** by online. You might not require more times to spend to go to the books commencement as without difficulty as search for them. In some cases, you likewise pull off not discover the revelation Block Diagram Of Numerical Relay that you are looking for. It will agreed squander the time.

However below, behind you visit this web page, it will be consequently extremely easy to get as capably as download guide Block Diagram Of Numerical Relay

It will not resign yourself to many grow old as we notify before. You can pull off it though take action something else at home and even in your workplace. as a result easy! So, are you question? Just exercise just what we manage to pay for under as skillfully as review **Block Diagram Of Numerical Relay** what you gone to read!

<https://yousky7.com/public/uploaded-files/Documents/Better%20Than%20Me%20Better%20Than%20Series%20Book%20English%20Edition.pdf>

Table of Contents Block Diagram Of Numerical Relay

1. Understanding the eBook Block Diagram Of Numerical Relay
 - The Rise of Digital Reading Block Diagram Of Numerical Relay
 - Advantages of eBooks Over Traditional Books
2. Identifying Block Diagram Of Numerical Relay
 - Exploring Different Genres
 - Considering Fiction vs. Non-Fiction
 - Determining Your Reading Goals
3. Choosing the Right eBook Platform
 - Popular eBook Platforms
 - Features to Look for in an Block Diagram Of Numerical Relay
 - User-Friendly Interface

4. Exploring eBook Recommendations from Block Diagram Of Numerical Relay
 - Personalized Recommendations
 - Block Diagram Of Numerical Relay User Reviews and Ratings
 - Block Diagram Of Numerical Relay and Bestseller Lists
5. Accessing Block Diagram Of Numerical Relay Free and Paid eBooks
 - Block Diagram Of Numerical Relay Public Domain eBooks
 - Block Diagram Of Numerical Relay eBook Subscription Services
 - Block Diagram Of Numerical Relay Budget-Friendly Options
6. Navigating Block Diagram Of Numerical Relay eBook Formats
 - ePub, PDF, MOBI, and More
 - Block Diagram Of Numerical Relay Compatibility with Devices
 - Block Diagram Of Numerical Relay Enhanced eBook Features
7. Enhancing Your Reading Experience
 - Adjustable Fonts and Text Sizes of Block Diagram Of Numerical Relay
 - Highlighting and Note-Taking Block Diagram Of Numerical Relay
 - Interactive Elements Block Diagram Of Numerical Relay
8. Staying Engaged with Block Diagram Of Numerical Relay
 - Joining Online Reading Communities
 - Participating in Virtual Book Clubs
 - Following Authors and Publishers Block Diagram Of Numerical Relay
9. Balancing eBooks and Physical Books Block Diagram Of Numerical Relay
 - Benefits of a Digital Library
 - Creating a Diverse Reading Collection Block Diagram Of Numerical Relay
10. Overcoming Reading Challenges
 - Dealing with Digital Eye Strain
 - Minimizing Distractions
 - Managing Screen Time
11. Cultivating a Reading Routine Block Diagram Of Numerical Relay
 - Setting Reading Goals Block Diagram Of Numerical Relay
 - Carving Out Dedicated Reading Time

12. Sourcing Reliable Information of Block Diagram Of Numerical Relay
 - Fact-Checking eBook Content of Block Diagram Of Numerical Relay
 - Distinguishing Credible Sources
13. Promoting Lifelong Learning
 - Utilizing eBooks for Skill Development
 - Exploring Educational eBooks
14. Embracing eBook Trends
 - Integration of Multimedia Elements
 - Interactive and Gamified eBooks

Block Diagram Of Numerical Relay Introduction

In the digital age, access to information has become easier than ever before. The ability to download Block Diagram Of Numerical Relay has revolutionized the way we consume written content. Whether you are a student looking for course material, an avid reader searching for your next favorite book, or a professional seeking research papers, the option to download Block Diagram Of Numerical Relay has opened up a world of possibilities. Downloading Block Diagram Of Numerical Relay provides numerous advantages over physical copies of books and documents. Firstly, it is incredibly convenient. Gone are the days of carrying around heavy textbooks or bulky folders filled with papers. With the click of a button, you can gain immediate access to valuable resources on any device. This convenience allows for efficient studying, researching, and reading on the go. Moreover, the cost-effective nature of downloading Block Diagram Of Numerical Relay has democratized knowledge. Traditional books and academic journals can be expensive, making it difficult for individuals with limited financial resources to access information. By offering free PDF downloads, publishers and authors are enabling a wider audience to benefit from their work. This inclusivity promotes equal opportunities for learning and personal growth. There are numerous websites and platforms where individuals can download Block Diagram Of Numerical Relay. These websites range from academic databases offering research papers and journals to online libraries with an expansive collection of books from various genres. Many authors and publishers also upload their work to specific websites, granting readers access to their content without any charge. These platforms not only provide access to existing literature but also serve as an excellent platform for undiscovered authors to share their work with the world. However, it is essential to be cautious while downloading Block Diagram Of Numerical Relay. Some websites may offer pirated or illegally obtained copies of copyrighted material. Engaging in such activities not only violates copyright laws but also undermines the efforts of authors, publishers, and researchers. To ensure ethical downloading, it is advisable to utilize reputable websites that

prioritize the legal distribution of content. When downloading Block Diagram Of Numerical Relay, users should also consider the potential security risks associated with online platforms. Malicious actors may exploit vulnerabilities in unprotected websites to distribute malware or steal personal information. To protect themselves, individuals should ensure their devices have reliable antivirus software installed and validate the legitimacy of the websites they are downloading from. In conclusion, the ability to download Block Diagram Of Numerical Relay has transformed the way we access information. With the convenience, cost-effectiveness, and accessibility it offers, free PDF downloads have become a popular choice for students, researchers, and book lovers worldwide. However, it is crucial to engage in ethical downloading practices and prioritize personal security when utilizing online platforms. By doing so, individuals can make the most of the vast array of free PDF resources available and embark on a journey of continuous learning and intellectual growth.

FAQs About Block Diagram Of Numerical Relay Books

What is a Block Diagram Of Numerical Relay PDF? A PDF (Portable Document Format) is a file format developed by Adobe that preserves the layout and formatting of a document, regardless of the software, hardware, or operating system used to view or print it. **How do I create a Block Diagram Of Numerical Relay PDF?** There are several ways to create a PDF: Use software like Adobe Acrobat, Microsoft Word, or Google Docs, which often have built-in PDF creation tools. Print to PDF: Many applications and operating systems have a "Print to PDF" option that allows you to save a document as a PDF file instead of printing it on paper. Online converters: There are various online tools that can convert different file types to PDF. **How do I edit a Block Diagram Of Numerical Relay PDF?** Editing a PDF can be done with software like Adobe Acrobat, which allows direct editing of text, images, and other elements within the PDF. Some free tools, like PDFescape or Smallpdf, also offer basic editing capabilities. **How do I convert a Block Diagram Of Numerical Relay PDF to another file format?** There are multiple ways to convert a PDF to another format: Use online converters like Smallpdf, Zamzar, or Adobe Acrobats export feature to convert PDFs to formats like Word, Excel, JPEG, etc. Software like Adobe Acrobat, Microsoft Word, or other PDF editors may have options to export or save PDFs in different formats. **How do I password-protect a Block Diagram Of Numerical Relay PDF?** Most PDF editing software allows you to add password protection. In Adobe Acrobat, for instance, you can go to "File" -> "Properties" -> "Security" to set a password to restrict access or editing capabilities. Are there any free alternatives to Adobe Acrobat for working with PDFs? Yes, there are many free alternatives for working with PDFs, such as: LibreOffice: Offers PDF editing features. PDFsam: Allows splitting, merging, and editing PDFs. Foxit Reader: Provides basic PDF viewing and editing capabilities. How do I compress a PDF file? You can use online tools like Smallpdf, ILovePDF, or desktop software like Adobe Acrobat to compress PDF files without significant quality loss.

Compression reduces the file size, making it easier to share and download. Can I fill out forms in a PDF file? Yes, most PDF viewers/editors like Adobe Acrobat, Preview (on Mac), or various online tools allow you to fill out forms in PDF files by selecting text fields and entering information. Are there any restrictions when working with PDFs? Some PDFs might have restrictions set by their creator, such as password protection, editing restrictions, or print restrictions. Breaking these restrictions might require specific software or tools, which may or may not be legal depending on the circumstances and local laws.

Find Block Diagram Of Numerical Relay :

[better than me better than series book english edition](#)

best study guide exam fm

berry licious what you thought you knew about berries

bernina funlock 004d overlocker manual

[beta marine 20 hp manual](#)

bert wagendorp ventoux

[betty crocker vegetable beef soup recipe](#)

~~betty crocker manual~~

[best vegan cupcake recipe](#)

~~bergey manual of systematic bacteriology flowchart~~

besigheidstudies graad 12 junie 2014

~~best ever farm journal recipe~~

berg stryer study guide

~~best recipe for bbq ribs~~

[best waterproof motorcycle cover](#)

Block Diagram Of Numerical Relay :

github mgwang37 prbs pseudo random binary sequence - Jun 23 2022

web pseudo random binary sequence generator in c and verilog supports prbs7 prbs9 prbs10 prbs11 prbs15 prbs20 prbs23 prbs29 prbs31 pseudo random

1 3 2 4 prbs generator intel - Nov 28 2022

web the prbs generator block generates prbs patterns and square wave patterns the prbs generator supports 32 bit and 40 bit pma interfaces supports the following modes and patterns prbs31 x 31 x 28 1 prbs9 x 9 x 5 1 prbs23 x 23 x 18 1 prbs7 x 7 x 6 1 prbs15 x 15 x 14 1

verilog code 16 bit lfsr in prbs datasheets the datasheet archive - Feb 17 2022

web 2004 free verilog code of prbs pattern generator abstract verilog code of prbs pattern generator lfsr galois prbs29 64b 66b encoder prbs using lfsr verilog prbs generator

overview prbs signal generator and checker opencores - Jan 19 2022

web prbs signal generator and checker overview news downloads bugtracker project maintainers soon chong lai view bugs 0 reported 0 solved star 6 you like it star it other project properties category testing verification language verilog development status stable additional info design done fpga proven wishbone compliant no

prbs generator verilog code prbs generator test bench rf - Jul 05 2023

web following is the verilog code of prbs generator module prbs rand clk reset input clk reset output rand wire rand reg 3 0 temp always posedge reset begin temp

verilog how to implement a pseudo hardware random number - May 03 2023

web an lfsr is often the first port of call implementation is relatively simple a shift register with a number of terms xord together to create the feedback term when considering the

pseudorandom binary sequence wikipedia - Jul 25 2022

web a pseudorandom binary sequence prbs pseudorandom binary code or pseudorandom bitstream is a binary sequence that while generated with a deterministic algorithm is difficult to predict 1 and exhibits statistical behavior similar to a

digital logic which of the following prbs generator algorithms is - Jan 31 2023

web jun 11 2023 i am currently learning verilog and trying to make a prbs generator in verilog while doing that i have tried different combinations as shown in the code and

verilog fixed pseudo random binary sequence prbs code - Sep 07 2023

web dec 6 2021 1 on recent comments based fixed modules for fpgas for generating a pseudo random bit sequence are presented the first module generates a bit sequence

prbs generator checker microchip technology - Dec 30 2022

web the implementation of the prbs generator uses a linear feedback shift register lfsr the generator produces a pre defined sequence of 1s and 0s occurring with the same

verilog rtl code for prbs generator forum for electronics - Sep 26 2022

web oct 31 2006 33 176 prbs verilog here are the key lines of code for a 19 bit lfsr which generates a prbs the output is

simply lfsr bit 0 code reg 18 0 lfsr 0 always

[using pseudo random binary sequences to stress test serial](#) - Aug 26 2022

web as prbs signals are compatible with non broadcast specific test equipment it is possible to obtain confirmation of test results using such general purpose test equipment the

[behavioral test benches for digital clock and data recovery circuits](#) - Oct 28 2022

web abstract this paper presents the behavioral implementation of jitter tolerance test benches for digital clock and data recovery circuits using verilog a first we encode a variable

design and implementation of prbs generator - Apr 21 2022

web this is to certify that the thesis entitled design and implementation of prbs generator using vhdl submitted by sandeep mukherjee roll no 10307017 and ruchir pandey

[prbs generator prbs interconnect element ansys](#) - Mar 21 2022

web prbs generator description a brief description of the elements functionality the pseudo random bit sequence prbs

generator a maximum length sequence code using a random initial state prefix defines the element name prefix prbs model defines the element model name library

[prbs generator github topics github](#) - Mar 01 2023

web aug 7 2023 a prbs pseudo random bit sequence is generated that can feed the dut the receiver compares the internally delayed transmitted signals with received signal

[github let s build from here github](#) - May 23 2022

web fibonacci is generally used for linear feedback shift registers lfsr for pseudorandom binary sequence prbs generators scramblers and descramblers while galois is

[github groundworkstech rc4 prbs a verilog open source](#) - Aug 06 2023

web a verilog open source implementation of a rc4 encryption algorithm using a pseudorandom binary sequence prbs for fpga synthesis github groundworkstech rc4 prbs a verilog open source implem

verilog pseudo random binary sequence prbs code review - Oct 08 2023

web nov 26 2021 viewed 1k times 2 modules for fpgas for generating a pseudo random bit sequence are presented the first module generates a bit sequence the third module speeds up the generation by transferring the bus to for example a multiplexer which is

fpga random bit sequence using verilog electrical - Jun 04 2023

web apr 23 2012 this is easily rendered in verilog as reg 4 0 d always posedge clk begin d d 3 0 d 4 d 2 end this is as others mentioned a linear feedback

[2 4 4 1 3 prbs generator and verifier intel](#) - Apr 02 2023

web the prbs generator generates a self aligning pattern and covers a known number of unique sequences because the prbs pattern is generated by a linear feedback shift

[frequently asked questions faqs on ca new course scheme 2024 by icai](#) - Oct 05 2022

web jun 30 2023 get all the essential information about the highly anticipated ca new course scheme 2024 by icai in this article we provide answers to frequently asked questions stay updated with the latest news from the institute of chartered accountants of india icai regarding this revised syllabus

faq 1 19 03 2015 frequently asked questions on maintenance - Apr 30 2022

web frequently asked questions on maintenance of cost accounting records and cost audit under companies act 2013 please forward your queries relating to faqs on technicalcell icmai in to the technical cell led by cma kunal banerjee former president icai with cma m gopalakrishnan former president ccm icai cma rakesh singh

[icai the institute of chartered accountants of india](#) - Jan 28 2022

web ican allows firm name containing the name s or surname s of one or all partners of the firm any query regarding membership of ican may be addressed to mr purushottam lal shrestha executive director the institute of chartered accountants of nepal ican at ican ntc net np with a copy to mr rakesh sehgal joint secretary international

[icai the institute of chartered accountants of india](#) - Apr 11 2023

web aug 17 2020 frequently asked questions w r t bos academic and students skills enrichment board sseb 17 08 2020 board of studies the institute of chartered accountants of india

frequently asked questions on the companies act 2013 icai - Dec 07 2022

web committee of the institute of chartered accountants of india icai has taken the initiative to revise the publication frequently asked questions on the companies act 2013 for the benefit of the members the publication has been written in an easy to understand language and contains questions and

frequently asked institute of chartered accountants of india - Mar 10 2023

web members resolve questions on these and other important ethical issues icai issued the publication frequently asked questions first time in the year of 2004 since the code of ethics applicable on members of the profession has been revised due to the revision in ifac code of ethics and in recent times various

frequently asked questions on valuation icai shop - Feb 09 2023

web standards board of the institute of chartered accountants of india and icai registered valuers organisation decided to bring out a publication on the frequently asked questions on valuation the publication has been designed in a question and answer format to assist our members and other stakeholders to enable them to have conceptual

frequently asked questions msme - Mar 30 2022

web 7 is icai msme helpdesk chargeable no it is free of cost 8 how msme can use icai msme helpdesk any msme can register with icai msme ecosystem and seek for icai msme helpdesk services through its dashboard 9 how can i offer my consultancy service in icai msme helpdesk

home page icai dubai chapter npio - Feb 26 2022

web icai dubai chapter established in 1982 is the largest most active and award winning chapter among the 33 overseas chapters of icai it has registered a phenomenal growth in membership in recent years and currently has over 5 000 members members represent more than 1 550 multinational and other companies

icai the institute of chartered accountants of india - Jul 14 2023

web jun 12 2013 election 2021 bye election 2022 empanelment examination funds awards members faqs placements regulatory students announcements bos knowledge portal chartered accountancy course examination students faqs resources accounting standards accounting standards for local bodies list of exposure drafts

frequently asked questions faqs on management accounting icai - Jan 08 2023

web in furtherance to this cause the committee on management accounting cma is coming up with the publication on frequently asked questions faqs for management accounting i hope this publication is found highly relevant and useful by the professionals dealing with management accounting congratulate ca

icai the institute of chartered accountants of india - Jun 13 2023

web technical guide on valuation revised edition 2021 as brought out by vsb icai publication frequently asked questions on valuation by vsb icai answers to the questions atq s raised during live webcasts and vcm s

frequently asked questions on the insolvency and bankruptcy - Jun 01 2022

web the institute of chartered accountants of india icai to take this initiative in bringing out a comprehensive and a handy book on frequently asked questions faqs on the insolvency and bankruptcy code 2016 to provide guidance to the members of the profession and other stakeholders for clear interpretation and understanding of the new law

icai ca final november 2023 faq answered ca test series - Jul 02 2022

web faq 1 what are the icai ca final exam dates nov 2023 as per the icai notification the ca final exam nov 2023 exams are scheduled from nov 1 to nov 16 2023 the ca final nov 2023 exam dates are nov 1 3 5 7 10 12 14 and 16 2023 the table below mentions the icai ca final exam dates nov 2023

frequently asked questions on valuation institute - May 12 2023

web oct 1 2019 frequently asked questions on valuation the publication has been designed in a question and answer format to assist our members and other stakeholders to enable them to have conceptual clarity on the various valuation aspects this

publication comprehensively covers questions that are being asked while undertaking valuation of

icai - Sep 04 2022

web frequently asked questions faq q 1 what is ca connect portal ans ca connect portal is an indigenous system of listing of ca firms individual ca practitioners on the platform of icai the objective of this website portal is to provide an

frequently asked questions f aqs on institute of chartered - Aug 03 2022

web how do i know that i am eligible for exemption in a paper the fact that you are eligible for exemption in a paper will be found indicated in the statement of marks issued by the institute by way of a symbol against the marks of the paper s in which you had secured a minimum of 60 marks

frequently asked questions on the companies act 2013 - Nov 06 2022

web feb 2 2017 committee decided to bring out a publication on the frequently asked questions in the companies act 2013 the publication has been designed in a question and answer format to assist our members and fellow professionals in mitigating various queries relating to the companies act 2013

icai the institute of chartered accountants of india - Aug 15 2023

web apr 22 2019 icai the institute of chartered accountants of india set up by an act of parliament icai is established under the chartered accountants act 1949 act no xxxviii of 1949 students frequently asked questions faqs on free live learning classes faqs mobile app icai bos faqs bos 22 04 2019

frequently asked questions about generative credits - Dec 27 2021

web sep 13 2023 starting november 1 2023 credit limits will apply generative ai is a type of artificial intelligence that enhances creativity by producing amazing results from simple text prompts generative ai features powered by firefly are now available in our core creative tools and the standalone firefly web app

alcools apollinaire wikipédia - Feb 08 2023

web may 2 2018 voici un résumé et une analyse fiche de lecture du recueil alcools de guillaume apollinaire alcools publié en 1913 est le recueil majeur de guillaume

profil apollinaire alcools toutes les cla c s d a pdf uniport edu - May 11 2023

web profil apollinaire alcools toutes les cla c s d a 1 profil apollinaire alcools toutes les cla c s d a la bible zone bibliolycée alcools g apollinaire bac 2023

profil apollinaire alcools toutes les cla c s d a pdf - Oct 24 2021

profil apollinaire alcools toutes les cla c s d a - Nov 24 2021

web ses poèmes brûlants comme l alcool ouvrent à une nouvelle vision de la réalité où se mêlent la frénésie de la ville

moderne la mélancolie de l'automne ou de l'amour perdu et

[profil apollinaire alcools toutes les cla c s d a 2022 music](#) - Jul 01 2022

web profil apollinaire alcools toutes les cla c s d a pdf thank you entirely much for downloading profil apollinaire alcools

toutes les cla c s d a pdf maybe you have

profil apollinaire alcools toutes les clés d analyse pour le bac - Aug 14 2023

web guillaume apollinaire alcools oiseaux la nature april 17th 2020 guillaume apollinaire alcools 1913 by aldoremo guillaume

que n'éteint pas le vent c'est le fils pâle et vermeil

guillaume apollinaire alcools résumé et analyse - Dec 06 2022

web profil apollinaire alcools toutes les cla c s d a 3 3 apporte une étude complète d'une œuvre de guillaume apollinaire

alcools composé d'une dizaine de séances

profil apollinaire alcools toutes les cla c s d a download only - Oct 04 2022

web profil apollinaire alcools toutes les cla c s d a pdf profil apollinaire alcools toutes les cla c s d a pdf is easy to use in our

digital library an online entrance to it is

profil apollinaire alcools toutes les cla c s d a pdf pdf - Apr 29 2022

web profil apollinaire alcools toutes les cla c s d a profil musset lorenzaccio profil apollinaire alcools guillaume apollinaire

profil la poésie au xix^e et au xx^e siècle

[profil apollinaire alcools toutes les cla c s d a 2022 ftp](#) - Sep 22 2021

profil apollinaire alcools toutes les cla c s d a full pdf - Feb 25 2022

web profil apollinaire alcools toutes les cla c s d a d c s most underrated brunches axios washington d c may 11 2021 web jun

18 2023 2122 p st nw the dupont circle shop has

profil apollinaire alcools toutes les cla c s d a seminary fbny - Apr 10 2023

web profil apollinaire alcools toutes les cla c s d a downloaded from doublespacio uchile cl by guest porter miles alcools

classiques et patrimoine hatier translating

[profil apollinaire alcools toutes les cla c s d a copy](#) - May 31 2022

web jul 4 2023 profil apollinaire alcools toutes les cla c s d a pdf as recognized adventure as skillfully as experience not

quite lesson amusement as skillfully as

[alcools d apollinaire présentation de l'ouvrage](#) - Jan 07 2023

web 2 profil apollinaire alcools toutes les cla c s d a 2019 12 03 versification classique et entraîne le lecteur dans des voyages

à travers le temps et l'espace la célébration

profil apollinaire alcools toutes les cla c s d a pdf copy - Jul 13 2023

web profil apollinaire alcools toutes les cla c s d a pdf upload dona s murray 2 5 downloaded from networks kualumni org on september 6 2023 by dona s murray

profil apollinaire alcools toutes les cla c s d a pdf book - Aug 02 2022

web jan 11 2023 4728788 profil apollinaire alcools toutes les cla c s d a 1 2 downloaded from knockinc com on by guest profil apollinaire alcools toutes

profil apollinaire alcools toutes les cla c s d a pdf - Jan 27 2022

web profil apollinaire alcools toutes les cla c s d a 3 3 faux monnayeurs et le journal des faux monnayeurs sont au programme du bac 2017 2018 de littérature française en

profil apollinaire alcools toutes les cla c s d a download only - Dec 26 2021

web profil apollinaire alcools toutes les cla c s d a downloaded from dev integratedpwm com by guest horton vaughan translating apollinaire burns

profil apollinaire alcools toutes les cla c s d a pdf pdf - Mar 29 2022

web profil apollinaire alcools toutes les cla c s d a premieres nouvelles aug 24 2020 le guide musical sep 05 2021 climatological data mar 19 2020 grand dictionnaire

profil apollinaire alcools toutes les cla c s d a pdf uniport edu - Sep 03 2022

web composition and structure of guillaume apollinaire s alcools hatier une analyse détaillée de la pièce de victor hugo au programme de littérature pour le bac 2019 2020 sa

profil apollinaire alcools toutes les cla c s d a pdf - Mar 09 2023

web alcools ce recueil qu apollinaire mit 15 ans à élaborer annonce la quête de modernité de jeu avec la tradition de renouvellement formel de la poésie de l auteur alcools est

profil apollinaire alcools editions hatier - Jun 12 2023

web jun 6 2023 profil apollinaire alcools toutes les cla c s d a 2 6 downloaded from uniport edu ng on june 6 2023 by guest days spent with his friends sneaking cigarettes

profil apollinaire alcools toutes les cla c s d a pdf - Nov 05 2022

web apr 28 2023 profil apollinaire alcools toutes les cla c s d a 2 6 downloaded from uniport edu ng on april 28 2023 by guest biblio 1966 book of the true poem guillaume