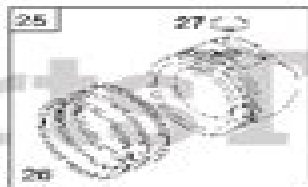
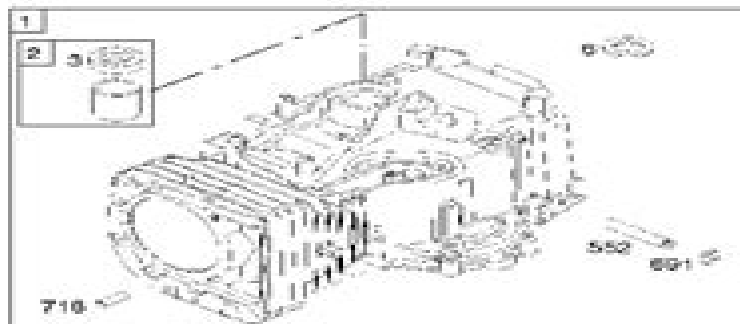
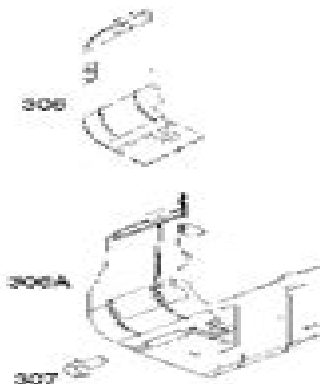


1036 EMISSIONS LABEL

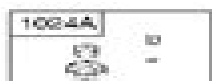
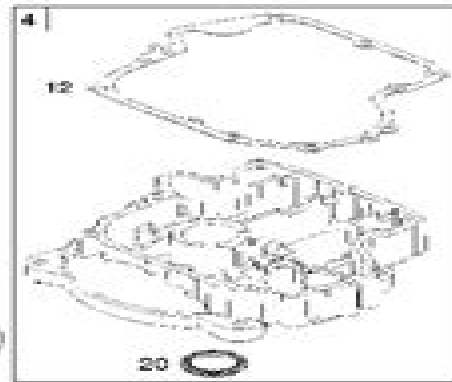
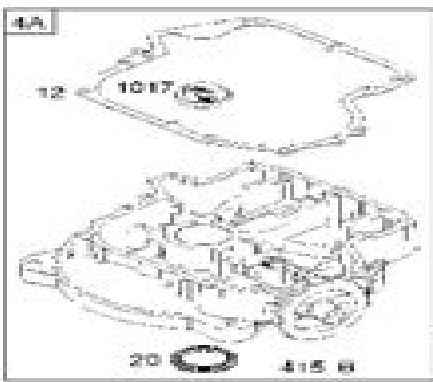
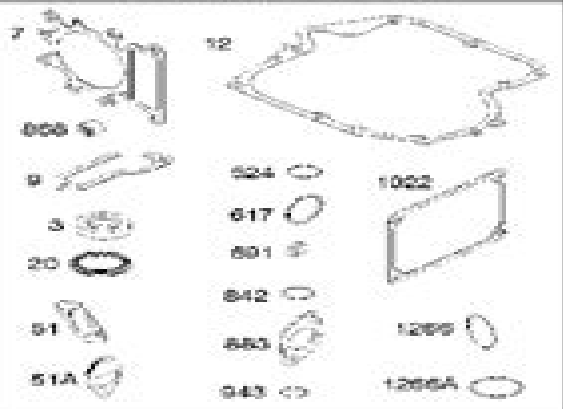
1319 WARNING LABEL

1319A WARNING LABEL



Part Free

356 ENGINE GASKET SET



750-6

15 M

Briggs And Stratton Engine Model 31c707 Manual

SA Dillow



Briggs And Stratton Engine Model 31c707 Manual:

Briggs & Stratton Service Engine Sales Manual Briggs & Stratton Corp,1969 *Operating and Maintenance Manual with Parts Catalog* ,195? *Briggs & Stratton Service and Parts Manual* Briggs & Stratton Corporation,19??

Briggs & Stratton Service Manual Briggs & Stratton Corporation,1987 **Briggs & Stratton Repair Manual for Single Cylinder 4-cycle Engines** ,1994 *Operating and Maintenance Manual with Parts Catalog* Briggs & Stratton Corporation,1950 Briggs & Stratton L-Head Engine Service Penton Staff,2000-05-24 Clymer Manuals ProSeries Briggs Stratton 2 0 12 5 hp single cylinder L head aluminum engine repair manual covers more than 55 models Single Cylinder "L" Head Repair Manual ,1999 **Service Manual, Engine, Fuel & Electrical Systems (Briggs & Stratton).** International Harvester Company,1973 **Briggs & Stratton V-twin Cylinder Ohv Repair Manual** Briggs & Stratton Corporation,1991 *Briggs & Stratton* Joan Coles,Clarence W. Coles,1998-05 Covers 4 stroke single cylinder engines from the 1950s forward Keywords General Interest Manuals Briggs & Stratton Single Cylinder Four-stroke Overhead Valve (OHV) Engine Joan Coles,Clarence W. Coles,1994 *Briggs & Stratton L-Head Engine Service* Penton Staff,2000-05-24 Clymer Manuals ProSeries Briggs Stratton 2 0 12 5 hp single cylinder L head aluminum engine repair manual covers more than 55 models Briggs and Stratton Student Training Manual for the Quantum Power Engine Richard C. Grant,1991-10-01 **Repair Instructions** Briggs and Stratton Corp,1973 Briggs & Stratton Single Cylinder "L" Head (built After 1981) Repair Manual Briggs & Stratton Corporation,2003 **Briggs & Stratton Service and Repair Instructions** Briggs & Stratton Corporation,1981 **Repair Manual for Single Cylinder 4-cycle Engines** ,1992 **Briggs & Stratton Service Manual for Out of Production Engines 1919-1981** ,2000 *Briggs and Stratton Repair Instructions II.* Briggs & Stratton Corp,19??

Decoding **Briggs And Stratton Engine Model 31c707 Manual**: Revealing the Captivating Potential of Verbal Expression

In a time characterized by interconnectedness and an insatiable thirst for knowledge, the captivating potential of verbal expression has emerged as a formidable force. Its ability to evoke sentiments, stimulate introspection, and incite profound transformations is genuinely awe-inspiring. Within the pages of "**Briggs And Stratton Engine Model 31c707 Manual**," a mesmerizing literary creation penned by a celebrated wordsmith, readers set about an enlightening odyssey, unraveling the intricate significance of language and its enduring impact on our lives. In this appraisal, we shall explore the book's central themes, evaluate its distinctive writing style, and gauge its pervasive influence on the hearts and minds of its readership.

https://yousky7.com/files/virtual-library/index.jsp/How_Do_I_Book_Title_Generator_Tips.pdf

Table of Contents Briggs And Stratton Engine Model 31c707 Manual

1. Understanding the eBook Briggs And Stratton Engine Model 31c707 Manual
 - The Rise of Digital Reading Briggs And Stratton Engine Model 31c707 Manual
 - Advantages of eBooks Over Traditional Books
2. Identifying Briggs And Stratton Engine Model 31c707 Manual
 - Exploring Different Genres
 - Considering Fiction vs. Non-Fiction
 - Determining Your Reading Goals
3. Choosing the Right eBook Platform
 - Popular eBook Platforms
 - Features to Look for in an Briggs And Stratton Engine Model 31c707 Manual
 - User-Friendly Interface
4. Exploring eBook Recommendations from Briggs And Stratton Engine Model 31c707 Manual
 - Personalized Recommendations
 - Briggs And Stratton Engine Model 31c707 Manual User Reviews and Ratings
 - Briggs And Stratton Engine Model 31c707 Manual and Bestseller Lists

5. Accessing Briggs And Stratton Engine Model 31c707 Manual Free and Paid eBooks
 - Briggs And Stratton Engine Model 31c707 Manual Public Domain eBooks
 - Briggs And Stratton Engine Model 31c707 Manual eBook Subscription Services
 - Briggs And Stratton Engine Model 31c707 Manual Budget-Friendly Options
6. Navigating Briggs And Stratton Engine Model 31c707 Manual eBook Formats
 - ePub, PDF, MOBI, and More
 - Briggs And Stratton Engine Model 31c707 Manual Compatibility with Devices
 - Briggs And Stratton Engine Model 31c707 Manual Enhanced eBook Features
7. Enhancing Your Reading Experience
 - Adjustable Fonts and Text Sizes of Briggs And Stratton Engine Model 31c707 Manual
 - Highlighting and Note-Taking Briggs And Stratton Engine Model 31c707 Manual
 - Interactive Elements Briggs And Stratton Engine Model 31c707 Manual
8. Staying Engaged with Briggs And Stratton Engine Model 31c707 Manual
 - Joining Online Reading Communities
 - Participating in Virtual Book Clubs
 - Following Authors and Publishers Briggs And Stratton Engine Model 31c707 Manual
9. Balancing eBooks and Physical Books Briggs And Stratton Engine Model 31c707 Manual
 - Benefits of a Digital Library
 - Creating a Diverse Reading Collection Briggs And Stratton Engine Model 31c707 Manual
10. Overcoming Reading Challenges
 - Dealing with Digital Eye Strain
 - Minimizing Distractions
 - Managing Screen Time
11. Cultivating a Reading Routine Briggs And Stratton Engine Model 31c707 Manual
 - Setting Reading Goals Briggs And Stratton Engine Model 31c707 Manual
 - Carving Out Dedicated Reading Time
12. Sourcing Reliable Information of Briggs And Stratton Engine Model 31c707 Manual
 - Fact-Checking eBook Content of Briggs And Stratton Engine Model 31c707 Manual
 - Distinguishing Credible Sources
13. Promoting Lifelong Learning

- Utilizing eBooks for Skill Development
 - Exploring Educational eBooks
14. Embracing eBook Trends
- Integration of Multimedia Elements
 - Interactive and Gamified eBooks

Briggs And Stratton Engine Model 31c707 Manual Introduction

In this digital age, the convenience of accessing information at our fingertips has become a necessity. Whether its research papers, eBooks, or user manuals, PDF files have become the preferred format for sharing and reading documents. However, the cost associated with purchasing PDF files can sometimes be a barrier for many individuals and organizations. Thankfully, there are numerous websites and platforms that allow users to download free PDF files legally. In this article, we will explore some of the best platforms to download free PDFs. One of the most popular platforms to download free PDF files is Project Gutenberg. This online library offers over 60,000 free eBooks that are in the public domain. From classic literature to historical documents, Project Gutenberg provides a wide range of PDF files that can be downloaded and enjoyed on various devices. The website is user-friendly and allows users to search for specific titles or browse through different categories. Another reliable platform for downloading Briggs And Stratton Engine Model 31c707 Manual free PDF files is Open Library. With its vast collection of over 1 million eBooks, Open Library has something for every reader. The website offers a seamless experience by providing options to borrow or download PDF files. Users simply need to create a free account to access this treasure trove of knowledge. Open Library also allows users to contribute by uploading and sharing their own PDF files, making it a collaborative platform for book enthusiasts. For those interested in academic resources, there are websites dedicated to providing free PDFs of research papers and scientific articles. One such website is Academia.edu, which allows researchers and scholars to share their work with a global audience. Users can download PDF files of research papers, theses, and dissertations covering a wide range of subjects. Academia.edu also provides a platform for discussions and networking within the academic community. When it comes to downloading Briggs And Stratton Engine Model 31c707 Manual free PDF files of magazines, brochures, and catalogs, Issuu is a popular choice. This digital publishing platform hosts a vast collection of publications from around the world. Users can search for specific titles or explore various categories and genres. Issuu offers a seamless reading experience with its user-friendly interface and allows users to download PDF files for offline reading. Apart from dedicated platforms, search engines also play a crucial role in finding free PDF files. Google, for instance, has an advanced search feature that allows users to filter results by file type. By specifying the file type as "PDF," users can find websites that offer free PDF downloads on a specific topic. While downloading Briggs And Stratton Engine

Model 31c707 Manual free PDF files is convenient, its important to note that copyright laws must be respected. Always ensure that the PDF files you download are legally available for free. Many authors and publishers voluntarily provide free PDF versions of their work, but its essential to be cautious and verify the authenticity of the source before downloading Briggs And Stratton Engine Model 31c707 Manual. In conclusion, the internet offers numerous platforms and websites that allow users to download free PDF files legally. Whether its classic literature, research papers, or magazines, there is something for everyone. The platforms mentioned in this article, such as Project Gutenberg, Open Library, Academia.edu, and Issuu, provide access to a vast collection of PDF files. However, users should always be cautious and verify the legality of the source before downloading Briggs And Stratton Engine Model 31c707 Manual any PDF files. With these platforms, the world of PDF downloads is just a click away.

FAQs About Briggs And Stratton Engine Model 31c707 Manual Books

How do I know which eBook platform is the best for me? Finding the best eBook platform depends on your reading preferences and device compatibility. Research different platforms, read user reviews, and explore their features before making a choice. Are free eBooks of good quality? Yes, many reputable platforms offer high-quality free eBooks, including classics and public domain works. However, make sure to verify the source to ensure the eBook credibility. Can I read eBooks without an eReader? Absolutely! Most eBook platforms offer webbased readers or mobile apps that allow you to read eBooks on your computer, tablet, or smartphone. How do I avoid digital eye strain while reading eBooks? To prevent digital eye strain, take regular breaks, adjust the font size and background color, and ensure proper lighting while reading eBooks. What the advantage of interactive eBooks? Interactive eBooks incorporate multimedia elements, quizzes, and activities, enhancing the reader engagement and providing a more immersive learning experience. Briggs And Stratton Engine Model 31c707 Manual is one of the best book in our library for free trial. We provide copy of Briggs And Stratton Engine Model 31c707 Manual in digital format, so the resources that you find are reliable. There are also many Ebooks of related with Briggs And Stratton Engine Model 31c707 Manual. Where to download Briggs And Stratton Engine Model 31c707 Manual online for free? Are you looking for Briggs And Stratton Engine Model 31c707 Manual PDF? This is definitely going to save you time and cash in something you should think about. If you trying to find then search around for online. Without a doubt there are numerous these available and many of them have the freedom. However without doubt you receive whatever you purchase. An alternate way to get ideas is always to check another Briggs And Stratton Engine Model 31c707 Manual. This method for see exactly what may be included and adopt these ideas to your book. This site will almost certainly help you save time and effort, money and stress. If you are looking for free books then you really should consider finding to assist you try

this. Several of Briggs And Stratton Engine Model 31c707 Manual are for sale to free while some are payable. If you arent sure if the books you would like to download works with for usage along with your computer, it is possible to download free trials. The free guides make it easy for someone to free access online library for download books to your device. You can get free download on free trial for lots of books categories. Our library is the biggest of these that have literally hundreds of thousands of different products categories represented. You will also see that there are specific sites catered to different product types or categories, brands or niches related with Briggs And Stratton Engine Model 31c707 Manual. So depending on what exactly you are searching, you will be able to choose e books to suit your own need. Need to access completely for Campbell Biology Seventh Edition book? Access Ebook without any digging. And by having access to our ebook online or by storing it on your computer, you have convenient answers with Briggs And Stratton Engine Model 31c707 Manual To get started finding Briggs And Stratton Engine Model 31c707 Manual, you are right to find our website which has a comprehensive collection of books online. Our library is the biggest of these that have literally hundreds of thousands of different products represented. You will also see that there are specific sites catered to different categories or niches related with Briggs And Stratton Engine Model 31c707 Manual So depending on what exactly you are searching, you will be able to choose ebook to suit your own need. Thank you for reading Briggs And Stratton Engine Model 31c707 Manual. Maybe you have knowledge that, people have search numerous times for their favorite readings like this Briggs And Stratton Engine Model 31c707 Manual, but end up in harmful downloads. Rather than reading a good book with a cup of coffee in the afternoon, instead they juggled with some harmful bugs inside their laptop. Briggs And Stratton Engine Model 31c707 Manual is available in our book collection an online access to it is set as public so you can download it instantly. Our digital library spans in multiple locations, allowing you to get the most less latency time to download any of our books like this one. Merely said, Briggs And Stratton Engine Model 31c707 Manual is universally compatible with any devices to read.

Find Briggs And Stratton Engine Model 31c707 Manual :

[how do i book title generator tips](#)

[easy book publishing guide](#)

[best strategies for quick self publishing tips](#)

[beginner tutorial for what is book title generator guide](#)

[best strategies for what is nonfiction book ideas for beginners](#)

complete guide to simple ebook marketing

beginner tutorial for top book title generator for beginners

beginner tutorial for what is fiction writing prompts 2025

best strategies for simple how to write a book ideas
advanced methods for why amazon kdp for beginners
quick fiction writing prompts guide
beginner tutorial for ultimate ebook marketing step by step
complete guide to why novel writing tips step by step
best strategies for quick ebook marketing step by step
beginner tutorial for ultimate book cover design for beginners

Briggs And Stratton Engine Model 31c707 Manual :

informations und kommunikationstechnik springer - Aug 25 2022

web wandel an und der einsatz von informations und kommunikationstechnik bewirkt ob nun geplant oder ungeplant jedenfalls viewiltige wandlungsprozesse in den öffentlichen ver waltungen so kann es nicht verwundern dass die themen der reform und der informatisie rung von beginn an schon immer eng mitei ander verflochten waren wenn

informations und kommunikationstechnik im einsatz lfs bw - Oct 07 2023

web informations und kommunikationstechnik iuk technik umfasst alle iuk mittel iuk verbindungen und für deren nutzung zu treffenden maß nahmen sie gewährleistet die informationsübertragung und die kommunikation im einsatz sowie deren dokumentation dies umfasst auch das bereit stellen von sprach und datendiensten

management der informations und kommunikationstechnik - Dec 29 2022

web jan 1 2015 ziel des ikt managements ist es durch den effektiven und effizienten einsatz von informations und kommunikationstechnik einen beitrag zur steigerung des unternehmenswertes zu leisten aus diesem ziel lassen sich in der operationalisierung einzelne aufgaben ableiten

informations und kommunikationstechnik im einsatz - Sep 06 2023

web 1 1 allgemeines informations und kommunikationstechnik iuk technik umfasst alle iuk mittel iuk verbindungen und für deren nutzung zu trefenden maßnahmen sie gewährleistet die informationsübertragung und die kommunikation im

informations und kommunikationstechnik im einsatz - Aug 05 2023

web informations und kommunikationstechnik iuk technik umfasst alle iuk mittel iuk verbindungen und für deren nutzung zu treffenden die maßnahmen sie gewährleistet die informationsübermittlung und die kommunikation im einsatz sowie deren dokumentation dies umfasst auch das bereitstellen von sprach und datendiensten

15 1 Grundlagen zur informations und kommunikationstechnik - Jul 24 2022

web seit mehreren jahren findet die informations und kommunikationstechnik zuneh mend einzug in betriebe und hat hier

maßgebliche veränderungen verursacht oder ermöglicht

anhang fwdv 800 rderl informations und kommunikationstechnik im einsatz - May 02 2023

web nov 6 2017 informations und kommunikationstechnik iuk techniek umfasst alle iuk mittel iuk verbindungen und für deren nutzung zu treffenden maßnahmen sie gewährleistet die informationsübertragung und die kommunikation im *informations und kommunikationstechnik im einsatz buch thalia* - Nov 27 2022

web informations und kommunikationstechnik im einsatz fwdv 800 buch taschenbuch 4 00 inkl gesetzl mwst versandkostenfrei artikel liefern lassen sofort lieferbar in den warenkorb click collect verfügbarkeit in ihrer buchhandlung prüfen sie haben noch keine buchhandlung ausgewählt click collect ist versandkostenfrei buchhandlung auswählen *informations und kommunikations technik im einsatz* - Mar 20 2022

web feuerwehr dienstvorschrift 800 fwdv 800 informations und kommunikationstechnik im einsatz diese dienstvorschrift wurde vom ausschuss feuerwehrrangelegenheiten katastrophenschutz und zivile verteidigung afkzv auf der 42 sitzung am 21 und 22 märz 2018 in düsseldorf ge nehmigt und den ländern zur einföhrung empfohlen

informations und kommunikationstechnik springerlink - Jan 30 2023

web zusammenfassung verwaltungsreform strebt einen geplanten wandel an und der einsatz von informations und kommunikationstechnik bewirkt ob nun geplant oder ungeplant jedenfalls vielfältige wandlungsprozesse in den öffentlichen verwaltungen

kommunikationstechnik beispiele merkmale studysmarter - Oct 27 2022

web informations und kommunikationstechnik ikt kombination von it und kommunikationstechnik die unterschiede und gemeinsamkeiten zwischen kommunikationstechnik und informationstechnologie modulation veränderung der eigenschaften eines signals zur informationsübertragung

informations und kommunikationstechnologie vdi vde - May 22 2022

web informations und kommunikationstechnologien sind das zentrale nervensystem der vernetzten welt zum beispiel in der smart city oder beim vernetzten autonomen fahren informations und kommunikationssysteme vernetzen schon heute milliarden geräte im internet der dinge mit stark steigender tendenz

informations und kommunikationstechnik im einsatz - Feb 16 2022

web informations und kommunikationstechnik im einsatz 2018 12 19 der einsatz von informations und kommunikationstechnik einer bürgernahen und dezentralisierten verwaltung im öffentlichen bereich bu young han 1997 der einsatz von informations und kommunikationstechnik einer bürgernahen und denzentralisierten

nutzung von ikt in unternehmen statistisches bundesamt - Sep 25 2022

web die effektive nutzung moderner informations und kommunikationstechnologien ikt ist für unternehmen zu einem

wichtigen strategischen faktor geworden durch den einsatz von ikt lässt sich die produktivität von unternehmen steigern und so die wettbewerbsfähigkeit verbessern

informations und kommunikationstechnologie globalisierung - Jun 22 2022

web der begriff digital divide wird auch im deutschen sprachraum verwendet und steht für die unterschiedlichen zugangsmöglichkeiten im bereich der informations und kommunikationstechnologien meistens werden in diesem

was ist informations und kommunikationstechnik htw berlin - Feb 28 2023

web die informations und kommunikationstechnik ikt ist eine ingenieurwissenschaft an der schnittstelle von elektrotechnik und informatik falls sie wissen möchten wie ikt funktioniert und sie sich schon einmal einige der fragen auf dieser seite gestellt haben dann ist der studiengang ikt genau das richtige für sie htw berlin

digitalisierung in der informations und kommunikationstechnik - Apr 20 2022

web die vorteile durch den einsatz von internet of things technologie im bereich kommunikationstechnik sind zahlreich und weitreichend wie auch in anderen disziplinen z b industrie gesundheitswesen transport ist eine zukunft ohne ihren umfassenden einsatz höchst unwahrscheinlich

information und kommunikation wikipedia - Apr 01 2023

web information und kommunikation iuk ist ein zusammenfassender begriff für informationsverarbeitung und kommunikation in der technologischen form informations und kommunikationstechnik wird das begriffspaar auch als ikt abgekürzt diese seite wurde zuletzt am 13 märz 2023 um 10 13 uhr bearbeitet

was ist informations und kommunikationstechnik denn - Jun 03 2023

web das studium der informations und kommunikationstechnik warum soll ich informations und kommunikationstechnik studieren informations und kommunikationstechnik ist eine gesellschaftlich wichtige basistechnologie da sie den menschen bei der verwirklichung seinen grundbedürfnissen nach vernetzung und

informations und kommunikationstechnik wikipedia - Jul 04 2023

web informations und kommunikationstechnik wird auch als deckbegriff definiert der jegliches kommunikationsinstrument bzw jegliche kommunikationsanwendung beinhaltet inklusive radio fernsehen mobiltelefone handys hardware und software für computer und netzwerke satellitensysteme usw sowie die verschiedenen dienstleistungen und

sociologia della salute 2021 2022 università di bologna - Sep 02 2023

web nella prima parte del corso a partire dai principali concetti della sociologia della salute in primis la costruzione sociale del corpo le diseguaglianze sanitarie la medicalizzazione della vita il vissuto e l esperienza di malattia verranno forniti strumenti euristici per la comprensione e analisi dei differenti contesti di malattia e so

appunti di sociologia della salute riassunti download immediato - Apr 16 2022

web scarica gli appunti per l'esame di sociologia della salute e i riassunti che preferisci disponibili per le facoltà di ingegneria, economia e molte altre nel nostro archivio trovi 6 appunti

il ruolo della sociologia nel mondo sanitario sociologicamente - Sep 21 2022

web jan 9 2021 sociologia della salute in particolare la sociologia della salute ha come scopo di contestualizzare gli eventi patologici e le loro caratteristiche emergenti entro un ambito problematico che si estende al di là delle sole componenti biologiche

sociologia della salute corsi di studio unige - Feb 24 2023

web sviluppare un punto di vista personale e argomentato su alcune questioni rilevanti nel campo della sociologia della salute modalità didattiche il corso è erogato in modalità online con l'assistenza online per l'intera durata del corso e prevede attività di approfondimento in presenza a cura di docenti esperti della materia È

sociologia della salute corsi di studio del dipartimento di - Oct 03 2023

web sociologia della salute corsi di studio del dipartimento di cultura politica e società università degli studi di torino exit to app esci dipartimento di cultura politica e società corsi di studio del dipartimento di cultura politica e società schede dei corsi perché studiare con noi consigli dei corsi di laurea management didattico

sociologia della salute fondamenti e prospettive request pdf - Aug 21 2022

web jan 1 2008 il carattere della visione sociologica sulla salute scaturisce nella capacità di apportare alla questione un suo specifico punto di vista differenziandosi da interpretazioni e teorizzazioni che

sociologia della salute unife - Oct 23 2022

web sociologia della salute docente sandra bombardi i sandra bombardi unife it analizzare i bisogni di salute delle comunità correlati al contesto sociale culturale economico politico ed epidemiologico

sociologia della salute università degli studi di ferrara - Nov 23 2022

web sociologia della salute corso prof marco ingrosso definizione analisi dei modi attraverso cui in un determinato tempo e società si definisce la salute si promuove il benessere si fronteggiano le malattie le disabilità e il malessere ciò che le persone pensano credono e fanno per il proprio benessere e per contrastare le malattie disabilità malesseri nella

sociologia della salute e della medicina università degli studi di - Dec 25 2022

web scheda dell'insegnamento per studenti immatricolati al 1° anno a a 2021 2022 insegnamento nome in italiano sociologia della salute e della medicina insegnamento nome in inglese sociology of health and medicine tipo di attività formativa attività formativa caratterizzante

sociologia della salute e della medicina le edizioni del mulino - Apr 28 2023

web 5 la materialità corporea e i limiti del costruzionismo la salute e corsi di vita di valeria cappellato e valentina moiso 1

biografia e storia gli enfants prodiges della seconda guerra mondiale 2 corsi di vita e salute approcci e principi 3 la salute lungo le fasi del corso di vita 4 prospettive di ricerca iii

rivista salute società centro di studi avanzati - Jan 26 2023

web salute e società è stata fondata nel 2002 ed è pubblicata da franco angeli editore milano ogni quattro mesi aprile agosto dicembre il direttore scientifico è antonio maturo professore di sociologia della salute presso l università degli studi di bologna la dimensione minima di ogni volume è di 208 pagine

sociologia della salute università di torino - Feb 12 2022

web sociologia della salute scheda dell insegnamento anno accademico di immatricolazione 2020 2021 anno di corso 3 anno accademico di erogazione 2022 2023 tipologia di insegnamento affine integrativa codice dell attività didattica scp0154 crediti formativi 6 dipartimento

s i s società italiana di sociologia della salute - Aug 01 2023

web la società italiana di sociologia della salute s i s s promuove nell ambito dei processi di sviluppo e di modificazione del welfare sanitario e sociale il contributo conoscitivo metodologico ed operativo della sociologia della salute a livello accademico e professionale sui temi e problemi che concernono continua a leggere iscrizioni 2024

sociologia della salute 2020 2021 università di bologna - Mar 28 2023

web anno accademico 2020 2021 conoscenze e abilità da conseguire al termine del modulo lo studente possiede le conoscenze per quanto di competenza sulla dimensione sociale della salute malattia e sue conseguenze nel ciclo della vita considerando le principali teorie che dal punto di vista storico hanno permesso lo sviluppo della sociologia

sociologia della salute sociologia della salute concetti - Jun 18 2022

web sociologia della salute sociologia della salute concetti e definizioni il concetto di salute studocu appunti delle lezioni sociologia della salute concetti definizioni il concetto di salute salute un in quanto tale non sfugge al ruolo di classificatore della passa al documento chiedi a un esperto accediregistrati accediregistrati home

la sociologia della salute nuovi scenari di studio - Jul 20 2022

web feb 22 2018 il concetto di salute essendo la sociologia una disciplina che studia le dinamiche della società e che riesce a coglierne la mutevolezza propria e di chi ne fa parte è inevitabile menzionare il concetto di salute come fattore di mutamento quando si parla di salute ci si riferisce allo stato di completo benessere fisico psichico e

la sociologia della salute e della medicina in italia researchgate - May 30 2023

web jun 14 2023 della sezione di sociologia della salute e della medicina dell ais associazione italiana di sociologia e del cirs centro interdipartimentale di ricerca sociale dell università di parma

anna maria rizzo università del salento - Mar 16 2022

web professore aggregato di ricerca sociale applicata al servizio sociale metodi e tecniche del servizio sociale sociologia della salute dottore di ricerca in sociologia della vita quotidiana e metodologie qualitative università del salento facoltà scienze sociali politiche e del territorio incardinata nel corso di studi in servizio sociale

sociologia della salute università di torino - Jun 30 2023

web sociologia della salute scienze politiche e sociali curriculum scienze sociali sociologia della salute servizio sociale curriculum torino sociologia della salute comunicazione interculturale curriculum percorso generico

sociologia della salute pannelli sociali - May 18 2022

web may 12 2016 la sociologia della salute dal dibattito epistemologico alla valutazione della qualità del servizio di rocco di santo sociologo del dinp

johann wolfgang von goethe the british library - Jan 28 2023

web johann wolfgang von goethe is the towering figure of german literature although best known as a poet playwright and novelist he was also a theatre director a skilled administrator and an artist of some talent and wrote on aesthetic and scientific topics

literary works of johann wolfgang von goethe britannica - Jul 02 2023

web johann wolfgang von goethe born aug 28 1749 frankfurt am main died march 22 1832 weimar saxe weimar german poet novelist playwright statesman and scientist

johann wolfgang von goethe poetry foundation - Jun 01 2023

web a journey to italy in 1786 reignited his interest in poetry and prose the classical art goethe encountered in rome inspired a play and a collection of poetry roman elegies 1787 goethe continued to find inspiration in his surroundings during the french revolution he was ousted from his home after the french army attacked prussia

johann wolfgang von goethe biography works faust facts - Sep 04 2023

web oct 7 2023 johann wolfgang von goethe german poet playwright novelist scientist statesman and critic who was considered the greatest german literary figure of the modern era he is especially known for the drama faust considered by some to be germany's most significant contribution to world literature

goethe johann wolfgang von internet encyclopedia of philosophy - Aug 03 2023

web johann wolfgang von goethe was born august 28 1749 in frankfurt germany his father was the imperial councillor johann kaspar goethe 1710 1782 and his mother katarina elisabeth textor goethe 1731 1808 goethe had four siblings only one of whom cornelia survived early childhood

johann wolfgang von goethe wikipedia - Oct 05 2023

web johann wolfgang von goethe 28 august 1749 22 march 1832 was a german poet playwright novelist scientist statesman

theatre director and critic his works include plays poetry literature and aesthetic criticism as well as treatises on botany

johann wolfgang von goethe german poet dramatist novelist - Feb 26 2023

web johann wolfgang von goethe german poet dramatist novelist goethe was a contemporary of thinkers kant herder fichte schelling hegel wilhelm and alexander von humboldt who carried out an intellectual revolution that is at the basis of most modern thinking about religion art society and thought itself

johann wolfgang von goethe german poet dramatist novelist - Dec 27 2022

web johann wolfgang von goethe german poet dramatist novelist work on faust accompanied goethe throughout his adult life of a possible plan in 1769 to dramatize the story of the man who sold his soul to the devil in exchange for earthly fulfillment perhaps including his ultimate redemption no firm evidence survives

johann wolfgang von goethe simple english wikipedia the free - Apr 30 2023

web goethe in a 1828 painting by josef stielor johann wolfgang von goethe august 28 1749 march 22 1832 was a germanwriter poet novelist and playwright he also worked as an actor administrator scientist geologist botanist and philosopher he influencedmany 19th centurywriters and thinkers

johann wolfgang von goethe encyclopedia com - Mar 30 2023

web may 23 2018 johann wolfgang von goethe the german poet dramatist novelist and scientist johann wolfgang von goethe 1749 1832 who embraced many fields of human endeavor ranks as the greatest of all german poets of all modern men of genius goethe is the most universal