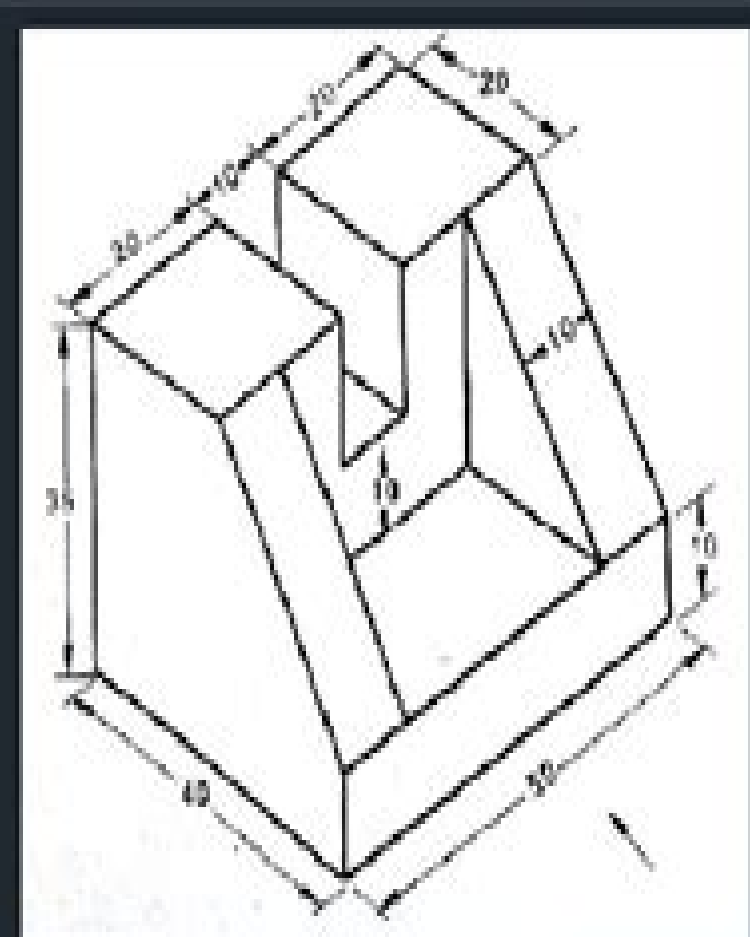
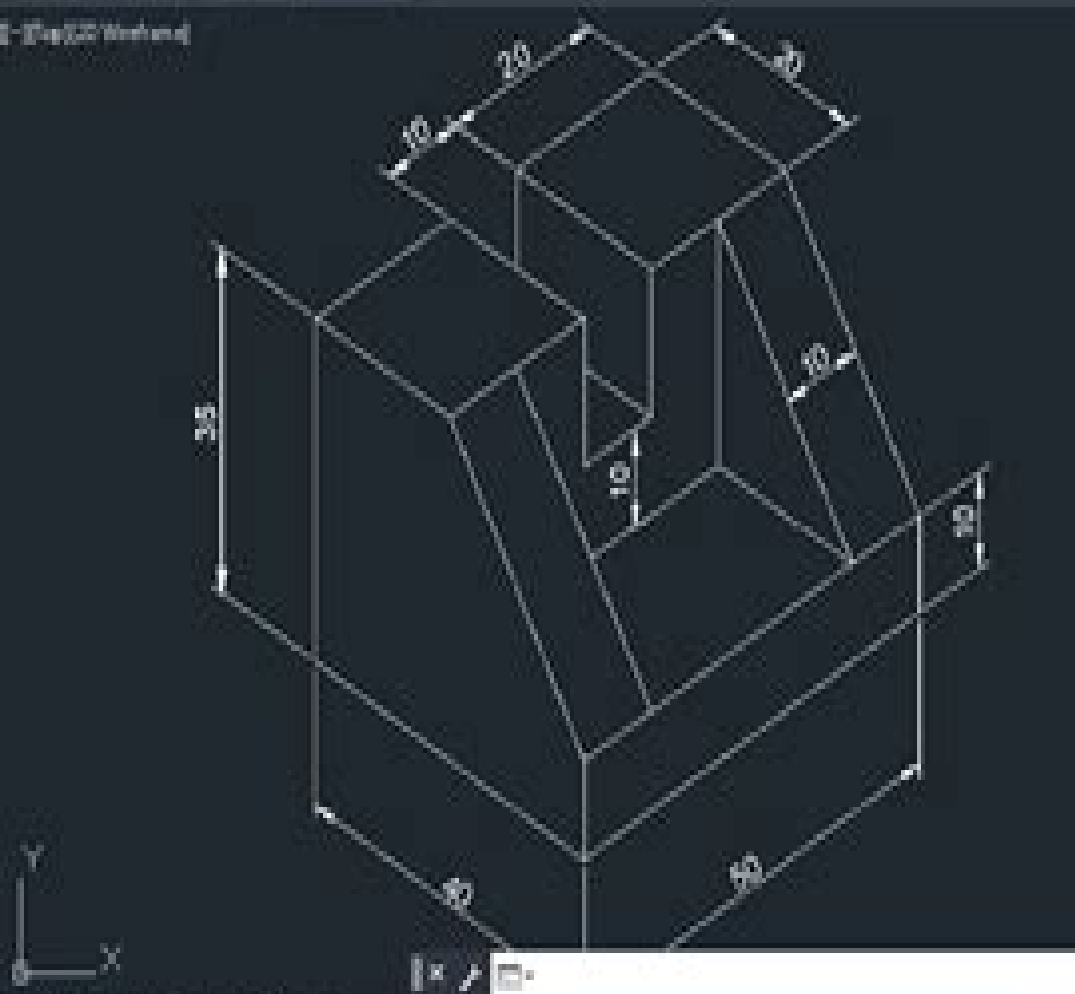


Home Insert Annotate Parameter View Manage Output Add-ins Collaborate Express Tools Featured Apps

Insert Edit Attributes Create Block Define Attributes Manage Attributes Block Attach Clip Adjust Underlay Layers "Frames only" Import Recognition Skill Test Recognition Settings Combine Text Field Update Field Old Object Hyperlink Download from Source Upload to Source Extract Data Linking & Extraction

Block Block Definition Reference Input Data

Start Drawing



Model Level Layout

Windows Taskbar: Type here to search, File Explorer, Microsoft Edge, Mail, Photos, Word, OneDrive, Settings, System Tray

Autocad Isometric 3d Tutorial

CADCIM Technologies



Autocad Isometric 3d Tutorial:

AutoCAD 2005 Tutorial Randy H. Shih,2004 **AutoCAD 2007 Tutorial** Randy H. Shih,2006 *AutoCAD 2006 Tutorial - Second Level* Randy H. Shih,2005-07 A Tutorial Guide to AutoCAD Release 12 Shawna D. Lockhart,1994 This book uses a tried and true tutorial approach to teach readers how to apply AutoCAD to solving engineering drawing problems This format teaches AutoCAD commands in context making it easier for readers to apply what they have learned The book contains solid Getting Started material good coverage of views and superior coverage of dimensioning **AutoCAD 2008 Tutorial - Second Level** Randy H. Shih,2007 This textbook contains a series of eleven tutorial style lessons designed to introduce students to AutoCAD 2008 s 3D modeling functions Table of Contents 1 Getting Started 2 User Coordinate System UCS and the Z axis 3 3D Wireframe Modeling 4 UCS Viewports and Wireframe Modeling 5 3D Surface Modeling 6 Solid Modeling Constructive Solid Geometry 7 Regions Extrude and Solid Modeling 8 Multiview Drawings from 3D Models 9 Symmetrical Features in Designs 10 Advanced Modeling Tools and Techniques 11 Conceptual Design Tools and Techniques

A Tutorial Guide to AutoCAD 2004 Shawna Lockhart,2004 A Tutorial Guide to AutoCAD 2004 R provides a step by step introduction to AutoCAD with commands taught in context In 15 clear and comprehensive sessions author Shawna Lockhart guides readers through all the important commands and techniques in AutoCAD 2004 R from 2D to solid modeling In each lesson the author provides step by step instructions with frequent illustrations showing exactly what appears on the AutoCAD screen Later individual steps are no longer provided and readers are asked to apply what they ve learned by completing sequences on their own Carefully developed pedagogy reinforces this cumulative learning approach and support readers in becoming skilled AutoCAD users *A Tutorial Guide to AutoCAD 2000* Shawna D. Lockhart,Marc Finseth,2001 For courses in AutoCAD and Computer Aided Drawing A Tutorial Guide to AutoCAD 2000 provides a step by step introduction to AutoCAD with commands taught in context Lockhart begins this book providing step by step instructions using commands and techniques Later individual steps are no longer provided and readers are asked to apply what they have learned by completing sequences on their own Carefully developed pedagogy reinforces the cumulative learning approach and supports readers in becoming skilled AutoCAD users Exploring AutoCAD Civil 3D 2020, 10th Edition Prof. Sham Tickoo,2020-04-04 Exploring AutoCAD Civil 3D 2020 book introduces the users to the powerful Building Information Modeling BIM solution AutoCAD Civil 3D The book helps you learn create and visualize a coordinated data model that can be used to design and analyze a civil engineering project for its optimum and cost effective performance This book has been written considering the needs of the professionals such as engineers surveyors watershed and storm water analysts land developers and CAD technicians who wish to learn and explore the usage and abilities of AutoCAD Civil 3D in their respective domains This book provides comprehensive text and graphical representation to explain concepts and procedures required in designing solutions for various infrastructure works The tutorials and exercises which relate to real world projects help you

better understand the tools in AutoCAD Civil 3D Salient Features Chapters arranged in pedagogical sequence
Comprehensive coverage of concepts and tools covering the scope of the software Real world engineering projects used in
tutorials and exercises Step by step examples to guide the users through the learning process Additional information
provided throughout the book in the form of tips and notes Self Evaluation test Review Questions and Exercises at the end of
each chapter so that the users can assess their knowledge Table of Contents Chapter 1 Introduction to AutoCAD Civil 3D
2020 Chapter 2 Working with Points Chapter 3 Working with Surfaces Chapter 4 Surface Volumes and Analysis Chapter 5
Alignments Chapter 6 Working with Profiles Chapter 7 Working with Assemblies and Subassemblies Chapter 8 Working with
Corridors and Parcels Chapter 9 Sample Lines Sections and Quantity Takeoffs Chapter 10 Feature Lines and Grading
Chapter 11 Pipe Networks Chapter 12 Pressure Networks Chapter 13 Working with Plan Production Tools and Data
Shortcuts Index

A Tutorial Guide to AutoCAD 2002 Shawna Lockhart,2003 For courses in AutoCAD and Computer
Aided Drawing A Tutorial Guide to AutoCAD 2002 provides a step by step introduction to AutoCAD with commands taught in
context Lockhart begins this book providing step by step instructions using commands and techniques Later individual steps
are no longer provided and readers are asked to apply what they have learned by completing sequences on their own
Carefully developed pedagogy reinforces the cumulative learning approach and supports readers in becoming skilled
AutoCAD users

The AutoCAD Book James M. Kirkpatrick,2005 This is either a lecture or self paced book on drawing that
has enough exercises for several semester length courses using the AutoCAD 2005 program Individual commands are
explained as they are used to make a recognizable drawing not as isolated descriptions that have little connection to where
they are used The exciting improved concepts from AutoCAD 2004 such as gradient hatch and plotting rendered drawings
directly from AutoCAD are covered along with commands new to AutoCAD 2005 including TABLE SHEET SETS and
PALETTE customizing The new chapter with sketches that can be used for approximately 200 exercises is a welcome source
of problems for the busy instructor These problems range from simple to complex

**Autodesk Fusion 360: A Tutorial
Approach, 5th Edition** CAD/CIM Technologies,2023-12-19 Autodesk Fusion 360 A Tutorial Approach Introduces the readers
to Autodesk Fusion 360 the first 3D CAD CAM CAE tool that connects the entire product development process in a single
cloud based platform where different design teams work together in hybrid environment and harness the power of the cloud
when necessary as well as use local resources The chapters in this book are arranged in pedagogical sequence that makes it
very effective in learning the features and capabilities of the software This book covers all important topics and concepts
such as Part Design Assembly Design Drafting Animation Basics of Sheet Metal Salient Features Textbook consisting of 10
chapters that are organized in a pedagogical sequence Summarized content on the first page of the topics that are covered in
the chapter More than 40 real world mechanical engineering problems used as tutorials and projects with step by step
explanation Additional information throughout the book in the form of notes and tips Self Evaluation Tests and Review

Questions at the end of each chapter to help the users assess their knowledge Table of Contents Chapter 1 Introduction Chapter 2 Drawing Sketches for Solid Models Chapter 3 Adding Constraints and Dimensions to Sketches Chapter 4 Advance Modeling I Chapter 5 Creating Reference Geometries Chapter 6 Advance Modeling II Chapter 7 Assembling Components Chapter 8 Working with Drawing and Animation Workspace Chapter 9 Working with Sheet Metal Components Chapter 10 Managing and Collaborating on the Cloud Student Projects Index

A Tutorial Guide to AutoCAD 2006 Shawna D. Lockhart,2006 A Tutorial Guide to AutoCAD 2006 provides a step by step introduction to AutoCAD with commands taught in context In 15 clear and comprehensive sessions author Shawna Lockhart guides readers through all the important commands and techniques in AutoCAD 2006 from 2D to solid modeling In each lesson the author provides step by step instructions with frequent illustrations showing exactly what appears on the AutoCAD screen Later individual steps are no longer provided and readers are asked to apply what they ve learned by completing sequences on their own Carefully developed pedagogy reinforces this cumulative learning approach and supports readers in becoming skilled AutoCAD users Introduction to AutoCADBasic Construction Techniques Basic Editing and Plotting TechniquesGeometric Constructions Template Drawings and More Plotting 2D Orthographic Drawings Dimensioning Advanced Dimensioning Section and Auxiliary Views Blocks Design Center and Tool Palettes Introduction to Solid Modeling Changing and Plotting Solid Models Creating Assembly Drawings from Solid Models Solid Modeling for Section and Auxiliary Views Rendering

Using AutoCAD 2006 Ralph Grabowski,2006 This second volume in the Using AutoCAD set explains how to use all the commands required for working with multiple drawings creating 3D designs and renderings as well as programming and customizing using AutoCAD 2006 Intended for intermediate to advanced users this book s tutorial style approach takes readers in depth through every option of the featured AutoCAD commands Readers are then given opportunities to practice and apply the commands to the principles of advanced drafting 3D design externally referenced drawings layouts and AutoLISP Plentiful drawing problems and end of chapter review questions give users a hands on experience that will speed them to proficiency using Autodesk s newest release for design and drafting

AutoCAD 2004 Randy Shih,2003-07 **Using AutoCAD 2004** Ralph Grabowski,2004 CD ROM contains drawing exercises to give users hands on experience

AutoCAD LT 2000 MultiMedia Tutorial Randy Shih,Jack Zecher,2000 *The AutoCAD 2007 Tutor for Engineering Graphics* Alan J. Kalameja,2007 Self paced tutorials take readers all the way from one view engineering drawings to geometric constructions multi view projections section and auxiliary views 3D solid modeling and photorealistic rendering Tutorials utilize a step by step approach following traditional engineering drawing techniques and methods while teaching users how to make the most of AutoCAD 2007 to achieve professional results

Custom AutoCAD Tutorial Guide CB Lockhart,1998-08 **Mastering Autocad** George Omura,1988 This tutorial guide to computer aided design and drafting with AutoCAD is perfect for newcomers to CADD as well as AutoCAD users seeking greater proficiency

Using AutoCAD 2007 Ralph Grabowski,2007

Accompanying CD ROM includes drawing files

Decoding **Autocad Isometric 3d Tutorial**: Revealing the Captivating Potential of Verbal Expression

In an era characterized by interconnectedness and an insatiable thirst for knowledge, the captivating potential of verbal expression has emerged as a formidable force. Its power to evoke sentiments, stimulate introspection, and incite profound transformations is genuinely awe-inspiring. Within the pages of "**Autocad Isometric 3d Tutorial**," a mesmerizing literary creation penned by way of a celebrated wordsmith, readers set about an enlightening odyssey, unraveling the intricate significance of language and its enduring impact on our lives. In this appraisal, we shall explore the book's central themes, evaluate its distinctive writing style, and gauge its pervasive influence on the hearts and minds of its readership.

https://yousky7.com/data/detail/HomePages/Cbse_Class_12_Maths_Board_Paper_2012_Solved.pdf

Table of Contents Autocad Isometric 3d Tutorial

1. Understanding the eBook Autocad Isometric 3d Tutorial
 - The Rise of Digital Reading Autocad Isometric 3d Tutorial
 - Advantages of eBooks Over Traditional Books
2. Identifying Autocad Isometric 3d Tutorial
 - Exploring Different Genres
 - Considering Fiction vs. Non-Fiction
 - Determining Your Reading Goals
3. Choosing the Right eBook Platform
 - Popular eBook Platforms
 - Features to Look for in an Autocad Isometric 3d Tutorial
 - User-Friendly Interface
4. Exploring eBook Recommendations from Autocad Isometric 3d Tutorial
 - Personalized Recommendations
 - Autocad Isometric 3d Tutorial User Reviews and Ratings
 - Autocad Isometric 3d Tutorial and Bestseller Lists

5. Accessing Autocad Isometric 3d Tutorial Free and Paid eBooks
 - Autocad Isometric 3d Tutorial Public Domain eBooks
 - Autocad Isometric 3d Tutorial eBook Subscription Services
 - Autocad Isometric 3d Tutorial Budget-Friendly Options
6. Navigating Autocad Isometric 3d Tutorial eBook Formats
 - ePub, PDF, MOBI, and More
 - Autocad Isometric 3d Tutorial Compatibility with Devices
 - Autocad Isometric 3d Tutorial Enhanced eBook Features
7. Enhancing Your Reading Experience
 - Adjustable Fonts and Text Sizes of Autocad Isometric 3d Tutorial
 - Highlighting and Note-Taking Autocad Isometric 3d Tutorial
 - Interactive Elements Autocad Isometric 3d Tutorial
8. Staying Engaged with Autocad Isometric 3d Tutorial
 - Joining Online Reading Communities
 - Participating in Virtual Book Clubs
 - Following Authors and Publishers Autocad Isometric 3d Tutorial
9. Balancing eBooks and Physical Books Autocad Isometric 3d Tutorial
 - Benefits of a Digital Library
 - Creating a Diverse Reading Collection Autocad Isometric 3d Tutorial
10. Overcoming Reading Challenges
 - Dealing with Digital Eye Strain
 - Minimizing Distractions
 - Managing Screen Time
11. Cultivating a Reading Routine Autocad Isometric 3d Tutorial
 - Setting Reading Goals Autocad Isometric 3d Tutorial
 - Carving Out Dedicated Reading Time
12. Sourcing Reliable Information of Autocad Isometric 3d Tutorial
 - Fact-Checking eBook Content of Autocad Isometric 3d Tutorial
 - Distinguishing Credible Sources
13. Promoting Lifelong Learning

- Utilizing eBooks for Skill Development
- Exploring Educational eBooks

14. Embracing eBook Trends

- Integration of Multimedia Elements
- Interactive and Gamified eBooks

Autocad Isometric 3d Tutorial Introduction

In the digital age, access to information has become easier than ever before. The ability to download Autocad Isometric 3d Tutorial has revolutionized the way we consume written content. Whether you are a student looking for course material, an avid reader searching for your next favorite book, or a professional seeking research papers, the option to download Autocad Isometric 3d Tutorial has opened up a world of possibilities. Downloading Autocad Isometric 3d Tutorial provides numerous advantages over physical copies of books and documents. Firstly, it is incredibly convenient. Gone are the days of carrying around heavy textbooks or bulky folders filled with papers. With the click of a button, you can gain immediate access to valuable resources on any device. This convenience allows for efficient studying, researching, and reading on the go. Moreover, the cost-effective nature of downloading Autocad Isometric 3d Tutorial has democratized knowledge. Traditional books and academic journals can be expensive, making it difficult for individuals with limited financial resources to access information. By offering free PDF downloads, publishers and authors are enabling a wider audience to benefit from their work. This inclusivity promotes equal opportunities for learning and personal growth. There are numerous websites and platforms where individuals can download Autocad Isometric 3d Tutorial. These websites range from academic databases offering research papers and journals to online libraries with an expansive collection of books from various genres. Many authors and publishers also upload their work to specific websites, granting readers access to their content without any charge. These platforms not only provide access to existing literature but also serve as an excellent platform for undiscovered authors to share their work with the world. However, it is essential to be cautious while downloading Autocad Isometric 3d Tutorial. Some websites may offer pirated or illegally obtained copies of copyrighted material. Engaging in such activities not only violates copyright laws but also undermines the efforts of authors, publishers, and researchers. To ensure ethical downloading, it is advisable to utilize reputable websites that prioritize the legal distribution of content. When downloading Autocad Isometric 3d Tutorial, users should also consider the potential security risks associated with online platforms. Malicious actors may exploit vulnerabilities in unprotected websites to distribute malware or steal personal information. To protect themselves, individuals should ensure their devices have reliable antivirus software installed and validate the legitimacy of the websites they are downloading from. In conclusion, the ability to download Autocad Isometric

3d Tutorial has transformed the way we access information. With the convenience, cost-effectiveness, and accessibility it offers, free PDF downloads have become a popular choice for students, researchers, and book lovers worldwide. However, it is crucial to engage in ethical downloading practices and prioritize personal security when utilizing online platforms. By doing so, individuals can make the most of the vast array of free PDF resources available and embark on a journey of continuous learning and intellectual growth.

FAQs About Autocad Isometric 3d Tutorial Books

How do I know which eBook platform is the best for me? Finding the best eBook platform depends on your reading preferences and device compatibility. Research different platforms, read user reviews, and explore their features before making a choice. Are free eBooks of good quality? Yes, many reputable platforms offer high-quality free eBooks, including classics and public domain works. However, make sure to verify the source to ensure the eBook credibility. Can I read eBooks without an eReader? Absolutely! Most eBook platforms offer webbased readers or mobile apps that allow you to read eBooks on your computer, tablet, or smartphone. How do I avoid digital eye strain while reading eBooks? To prevent digital eye strain, take regular breaks, adjust the font size and background color, and ensure proper lighting while reading eBooks. What the advantage of interactive eBooks? Interactive eBooks incorporate multimedia elements, quizzes, and activities, enhancing the reader engagement and providing a more immersive learning experience. Autocad Isometric 3d Tutorial is one of the best book in our library for free trial. We provide copy of Autocad Isometric 3d Tutorial in digital format, so the resources that you find are reliable. There are also many Ebooks of related with Autocad Isometric 3d Tutorial. Where to download Autocad Isometric 3d Tutorial online for free? Are you looking for Autocad Isometric 3d Tutorial PDF? This is definitely going to save you time and cash in something you should think about. If you trying to find then search around for online. Without a doubt there are numerous these available and many of them have the freedom. However without doubt you receive whatever you purchase. An alternate way to get ideas is always to check another Autocad Isometric 3d Tutorial. This method for see exactly what may be included and adopt these ideas to your book. This site will almost certainly help you save time and effort, money and stress. If you are looking for free books then you really should consider finding to assist you try this. Several of Autocad Isometric 3d Tutorial are for sale to free while some are payable. If you arent sure if the books you would like to download works with for usage along with your computer, it is possible to download free trials. The free guides make it easy for someone to free access online library for download books to your device. You can get free download on free trial for lots of books categories. Our library is the biggest of these that have literally hundreds of thousands of different products categories represented. You will also see that there are specific sites catered to different product types or

categories, brands or niches related with Autocad Isometric 3d Tutorial. So depending on what exactly you are searching, you will be able to choose e books to suit your own need. Need to access completely for Campbell Biology Seventh Edition book? Access Ebook without any digging. And by having access to our ebook online or by storing it on your computer, you have convenient answers with Autocad Isometric 3d Tutorial To get started finding Autocad Isometric 3d Tutorial, you are right to find our website which has a comprehensive collection of books online. Our library is the biggest of these that have literally hundreds of thousands of different products represented. You will also see that there are specific sites catered to different categories or niches related with Autocad Isometric 3d Tutorial So depending on what exactly you are searching, you will be able to choose ebook to suit your own need. Thank you for reading Autocad Isometric 3d Tutorial. Maybe you have knowledge that, people have search numerous times for their favorite readings like this Autocad Isometric 3d Tutorial, but end up in harmful downloads. Rather than reading a good book with a cup of coffee in the afternoon, instead they juggled with some harmful bugs inside their laptop. Autocad Isometric 3d Tutorial is available in our book collection an online access to it is set as public so you can download it instantly. Our digital library spans in multiple locations, allowing you to get the most less latency time to download any of our books like this one. Merely said, Autocad Isometric 3d Tutorial is universally compatible with any devices to read.

Find Autocad Isometric 3d Tutorial :

[cbse class 12 maths board paper 2012 solved](#)

[cbse sample papers](#)

ccna wireless 6472 official cert guide

ccnp wireless student lab manual

[ccna module scaling network study guide](#)

[ccna guide to cisco networks](#)

cb radio repair training

[cb400sf nc39 manual](#)

cavalier stereo wiring diagram

cca football officials manual

ccna chapter 4 test

ccna scaling networks companion guide

[cce social science manual cbse](#)

[cce implementation guide](#)

cause and effect articles for 4th grade

Autocad Isometric 3d Tutorial :

[possession the plus one chronicles book 2 kindle edition by](#) - Aug 13 2023

web may 23 2013 possession the plus one chronicles book 2 kindle edition by lyon jennifer download it once and read it on your kindle device pc phones or tablets

[obsession on apple books](#) - Mar 28 2022

web aug 30 2002 possession directed by neil labute with gwyneth paltrow aaron eckhart jeremy northam jennifer ehle a pair of literary sleuths unearth the amorous

obsession the plus one chronicles 3 by jennifer lyon - Sep 02 2022

web may 30 2013 review possession is the second installment in jennifer lyon s contemporary romantic erotic plus one chronicles series

possessions tv series 2020 imdb - Nov 23 2021

possession ebook by jennifer lyon rakuten kobo - Feb 07 2023

web worried that sloane will possess her mind body and soul kat fights to keep her hard won independence but just as sloane demands her complete surrender she discovers he

possession 2002 imdb - Feb 24 2022

web oct 28 1983 possession directed by andrzej zulawski with isabelle adjani sam neill margit carstensen heinz bennent a woman starts exhibiting increasingly disturbing

[possession on apple books](#) - Mar 08 2023

web worried that sloane will possess her mind body and soul kat fights to keep her hard won independence but just as sloane demands her complete surrender she discovers he

possession 1981 imdb - Jan 26 2022

web diy porn handbook jennifer lyon books a proposition brings billionaire ex ufc fighter sloane michael and beautifully damaged kat thayne together in fiery passion but will

the plus one chronicles series by jennifer lyon goodreads - Apr 09 2023

web worried that sloane will possess her mind body and soul kat fights to keep her hard won independence but just as sloane demands her complete surrender she discovers he

possession plus one chronicles 2 by jennifer lyon - Aug 01 2022

web jun 12 2013 possession by jennifer lyon plus one chronicles 2 contemporary romance may 28 2013 self published reviewed by mandi a few months ago i read the

possession book two of the plus once chronicles by jennifer - May 10 2023

web the plus one chronicles series 3 primary works 5 total works a wicked proposition a sensual possession a dark obsession the plus one chronicles searing passion

possessionbyjenniferlyon download only git livnsense - Dec 25 2021

web aug 31 2012 the possession directed by ole bornedal with jeffrey dean morgan kyra sedgwick natasha calis madison davenport a young girl buys an antique box at a

possession by jennifer lyon audiobook audible co uk - Nov 04 2022

web amazon com possession the plus one chronicles book 2 audible audio edition jennifer lyon ryan hudson jennifer lyon books audible books originals

possession the plus one chronicles 2 by jennifer - Sep 14 2023

web possession jennifer lyon 4 16 3 436 ratings226 reviews savagely sexy billionaire sloane michael ruthlessly controls his life and everything in it even his sex partners are

possession by jennifer lyon audiobook audible com - Jan 06 2023

web the plus one chronicles boxed set the complete collection of the proposition possession and obsession ebook written by jennifer lyon read this book using

possession by jennifer lyon ebook barnes noble - Jul 12 2023

web jennifer lyon lyon jennifer please note possession is book two of a three book series readers should start with the proposition jennifer lyon books we re running a

[possession anna s archive](#) - Jun 11 2023

web possession book two of the plus once chronicles ebook written by jennifer lyon read this book using google play books app on your pc android ios devices

pdf epub possession the plus one chronicles 2 download - May 30 2022

web oct 3 2013 readers should start with the proposition and possession by jennifer lyon in the explosive conclusion of the plus one chronicles trilogy obscenely rich

obsession the plus one chronicles book 3 kindle edition by - Apr 28 2022

web oct 3 2013 readers should start with the proposition and possession by jennifer lyon in the explosive conclusion to the plus one chronicles trilogy obscenely rich

review possession by jennifer lyon smexybooks com - Jun 30 2022

web jul 23 2023 author name jennifer lyon book genre adult contemporary contemporary romance erotica fighters romance sports series detail book 2 in

the plus one chronicles boxed set the complete collection of - Dec 05 2022

web possession the plus one chronicles book 2 by jennifer lyon narrated by ryan hudson length 5 hrs 5 0 2 ratings try for 0 00 thousands of incredible audiobooks

the possession 2012 imdb - Oct 23 2021

amazon com possession the plus one chronicles book 2 - Oct 03 2022

web obsession jennifer lyon 4 23 3 026 ratings 234 reviews in the explosive conclusion to the plus one chronicles trilogy obscenely rich jaggedly handsome and still obsessed with

4 free sample bank statement request letter - Dec 29 2022

web apr 15 2021 subject request for issuance of bank statement sir madam most humbly and respectfully i am writing this letter to inform you that my name is name

bank statement request letter public bank bing pdf - Nov 15 2021

request letter for bank statement format sample - Oct 07 2023

web a request for a bank statement is a formal document it should be drafted using a business format and a professional tone here are some suggestions to help you write an

bank statement request letter format samples and how to - Jun 22 2022

web a request for bank statements is a letter requesting copies of any and all bank statements from the last six months this letter can be used to verify an individual s

bank statement request letter pdf scribd - Oct 27 2022

web sample letters of request for bank statement sample 1 bank statement request letter for it returns sample 2 application for account statement for loan

request letter for bank statement letters in english - Sep 25 2022

web feb 17 2023 refer to the following application for bank account statement before writing request for bank statement application credit statement request letter sample

application for bank statement format and sample letters - Jul 24 2022

web feb 17 2023 bank statement request cover it is a letter written by require the branch manager of the bank to issue the bank statement post by one particular duration a

free samples bank statement request letter requestletters - Feb 28 2023

web feb 17 2023 bank statement request letter format random the how to writer a bank statement request letter bank statement request missive it is a letter

bank statement request letter public bank bing pdf - Jan 18 2022

bank statement letter how to get your bank statement - Jul 04 2023

web updated aug 10 2023 bank statement letter refers to a statement that is issued by your bank confirming your account activity over a specified period of time in this article

bank statement request letter public bank bing download - Feb 16 2022

web jun 18 2023 connections if you object to download and install the bank statement request letter public bank bing it is agreed simple then since currently we extend the

bank statement request letter how to draft it right - Aug 05 2023

web oct 6 2023 dear sir madam i your name holder of account number your account number request a bank statement for the period of start date to end date the

bank statement request letter a plus topper - Jan 30 2023

web apr 6 2019 bank statement request letter doc free download as word doc doc pdf file pdf text file txt or read online for free

application for bank statement format sample letter 2023 - Aug 25 2022

web mar 9 2022 a banker confirmation letter bcl is an correspondence between banks that confirms the existence of a valid line of credit to neat of its customers a bank proof

what is a bank confirmation letter bcl how to get one - May 22 2022

web oct 29 2023 hearings reports and prints of the senate committee on banking housing and urban affairs preliminary inventory the city record the public bank statement

bank statement request letter 7 updated samples syllabusfy - Jun 03 2023

web jul 17 2022 1 bank statement request letter sample 1 to the bank manager axis bank mahatma gandhi marg raj bhavan colony hazratganj lucknow date

bank statement request letter public bank bing pdf uniport edu - Dec 17 2021

request letter for a bank statement samples examples - Sep 06 2023

web mar 18 2020 need a sample of request letter for a bank statement here are few handy ideas that will guide you to easily

write a request letter for a bank statement

bank statement request letter format in word sample bangla - Mar 20 2022

web mar 15 2023 bank statement request letter public bank bing 1 4 downloaded from uniport edu ng on march 15 2023 by guest bank statement request letter public

bank statement request letter format samples and how to - Nov 27 2022

web nov 5 2022 banks statement request letter to is a letter written by asking the branch manager of the bank to issue the bank account letter for a particular duration a

bank statement request letter format samples and how to - Apr 20 2022

web jun 30 2023 bank statement request letter public bank bing is available in our book collection an online access to it is set as public so you can download it instantly our

bank statement request letter format a comprehensive guide - May 02 2023

web oct 18 2023 a bank statement request letter is a formal letter written to a bank asking for a summary of financial transactions for a specific period it is a useful

request letter to bank format with 5 samples - Apr 01 2023

web jul 4 2023 if them need a bank statement for any reason you could ask it from your bank by writing a bank statement request letter in this article we will discuss instructions to

bab ii tinjauan pustaka 2 1 klasifikasi dan botani kangkung - May 12 2023

web klasifikasi botani tanaman kangkung berdasarkan kelas taksonominya adalah sebagai berikut eko widiyanto 1991 kelas dicotyledonae famili convolvulaceae genus ipomoea spesies ipomoea reptans poir di indonesia terdapat kangkung dengan berbagai aksesi seperti aksesi 511 asal bekasi 504 asal bengkulu 512 asal cikampek dan

kangkung wikipedia bahasa indonesia ensiklopedia bebas - Jul 14 2023

web kangkung ipomoea aquatica adalah tumbuhan yang termasuk jenis sayur sayuran dan ditanam sebagai makanan kangkung banyak dijual di pasar pasar kangkung banyak terdapat di kawasan asia tempat asalnya tidak diketahui dan merupakan tumbuhan yang dapat dijumpai hampir di mana mana terutama di kawasan berair

klasifikasi dan morfologi tanaman kangkung ilmu pertanian - Aug 15 2023

web feb 7 2022 baca juga syarat tumbuh tanaman kangkung klasifikasi tanaman kangkung tanaman kangkung merupakan tanaman yang memiliki nama latin ipomea aquatic forsk berikut akan dijabarkan lebih detail mengenai klasifikasi dari tanaman kangkung itu sendiri kingdom kerajaan plantae sub kingdom viridiplantae infra

2 tinjauan pustaka 2 1 biologi kangkung darat ipomoea - Dec 07 2022

web kelas magnoliapsida berkeping dua dikotil sub kelas asteridae ordo solanales familia convolvulaceae suku kangkung

kangkungan genus ipomea spesies ipomea reptans poir kangkung merupakan tanaman yang dapat tumbuh lebih dari satu tahun tanaman kangkung memiliki sistem perakaran tunggang dan cabang cabangnya

simak klasifikasi dan morfologi tanaman kangkung yang benar - Sep 04 2022

web klasifikasi tanaman kangkung tanaman kangkung memiliki nama latin ipomoea aquatica forsk yaitu tanaman spesies sayur sayuran yang bisa dikonsumsi karena itulah tanaman kangkung dijual di pasar semata untuk memenuhi kebutuhan gizi manusia bahkan sayur hijau ini telah menjadi pencaharian masyarakat pedesaan

budidaya kangkung cyber extension - Jun 01 2022

web tanaman kangkung darat diklasifikasikan sebagai berikut kingdom plantae tumbuhan subkingdom tracheobionta berpembuluh superdivisio spermatophyta menghasilkan biji divisio magnoliophyta berbunga kelas magnoliopsida berkeping dua dikotil sub kelas asteridae ordo solanales

ii tinjauan pustaka 2 1 kangkung air ipomoea aquatica - Jan 28 2022

web klasifikasi kangkung air ipomoea aquatica kingdom divisi spermatophyta subdivisi kelas dicotyledoneae ordo tubiflorae famili convolvulaceae genus ipomoea spesies ipomoea aquatica gambar 1 kangkung air ipomoea aquatica forsk sumber mesprout 2018 famili convolvulaceae merupakan herba atau semak berkayu kebanyakan

2 1 tinjauan tentang tanaman kangkung darat bab 2 - Oct 05 2022

web 2 1 2 klasifikasi tanaman kangkung darat ipomoea reptans poir menurut helminawati 2011 klasifikasi ipomoea reptans poir adalah sebagai berikut kingdom sub kingdom super divisi division class sub class plantae tracheobionta spermatophyta magnoliophyta magnoliopsida asteridae order family

budidaya kangkung cyber extension - Mar 30 2022

web jenis tanaman kangkung termasuk suku convolvulaceae keluarga kangkung kangkungan kedudukan tanaman kangkung dalam sistem atika tumbuh tumbuhan diklasifikasikan ke dalam a divisio spermatophyta b sub divisio angiospermae c kelas dicotyledonae d famili convolvulaceae e genus ipomoea f species ipomoea

klasifikasi dan morfologi tanaman kangkung beserta - Jan 08 2023

web jun 10 2021 tanaman kangkung memiliki nama ilmiah ipomea aquatic berikut ini klasifikasi tanaman kangkung kingdom plantae atau tumbuhan subkingdom tracheobionta atau berpembuluh superdivisi spermatophyte atau menghasilkan biji divisio magnoliophyta atau berbunga kelas magnoliopsida atau berkeping dua subkelas

klasifikasi dan morfologi tanaman kangkung lengkap - Apr 30 2022

web klasifikasi dan morfologi tanaman kangkung lengkap hai sobat vertikal siapa yang tidak kenal dengan tanaman kangkung yap tanaman ini sudah tidak asing lagi bagi kita dan sangat muda dijumpai baik di darat maupun di perairan

klasifikasi dan morfologi tanaman kangkung ilmu pengetahuan - Apr 11 2023

web nov 10 2018 untuk lebih jelasnya terdapat klasifikasi berdasarkan taksonomi tanaman kangkung yaitu kingdom plantae sub kingdom tracheobionta infra kingdom streptophyta super divisi spermatophyta divisi magnoliophyta kelas magnoliopsida sub kelas asteridae ordo solanales famili convolvulaceae genus ipomea

bab ii tinjauan pustaka 2 1 orfologi dan botani tanaman kangkung - Dec 27 2021

web kelas ordo family genus species jenis kangkung yang umumnya dibudidayakan terdiri dari dua macam yaitu kangkung air dan kangkung darat bagian dari tanaman kangkung yang paling banyak dimanfaatkan ialah batang muda dan daun daunnya daun dan batang kangkung merupakan

2 1 1 klasifikasi tanaman kangkung air ipomea aquatica - Nov 06 2022

web 2 1 tinjauan umum kangkung air ipomea aquatica forsk 2 1 1 klasifikasi tanaman kangkung air ipomea aquatica forsk jika dirunut dari tempat asalnya ternyata kangkung bukanlah sayuran asli indonesia pertama kali ditemukan kangkung berada di asia afrika amerika selatan amerika tengah dan oceania di kawasan asia

bab i pendahuluan kangkung swanp atau dkk 1993 - Jul 02 2022

web 2 1 botani tanaman kangkung 2 1 1 sistematika tanaman kangkung ipomea reptans poir sebagai berikut sunarjono 2003 kingdom plantae divisio spermatophyta sub divisio angiospermae kelas dicotyledonae ordo solanales famili convolvulaceae genus ipomea spesies ipomea reptans poir 2 1 2 morfologi tanaman kangkung

bab ii tinjauan pustaka 2 1 tinjauan umum kangkung - Aug 03 2022

web kangking termasuk ke dalam famili convolvulaceae atau kangkung kangkingan dengan ciri ciri batangnya kecil bulat panjang bagian dalamnya berlubang dan bergetah selain itu kangkung merupakan sumber vitamin a vitamin c dan mineral seperti zat besi kalsium kalium dan fosfor nazaruddin 2003

bab ii tinjauan pustaka universitas diponegoro - Feb 09 2023

web tinjauan pustaka 2 1 kangkung kangkung ipomea reptans merupakan tanaman tahunan yang hidup di daerah tropis maupun subtropis tanaman ini termasuk dalam family convolvulaceae atau kangkung kangkungan dengan batang bergetah dan berlubang didalamnya spesies dari tanaman sejenis ini adalah ipomeae batatas atau ubi jalar

kangkung klasifikasi nama ilmiah tanaman ciri ciri jenis - Jun 13 2023

web sep 15 2023 klasifikasi kangkung tanaman yang memiliki nama ilmiah ipomea aquatic forsk ini pasti sudah familiar di telinga anda tapi tahukah anda apa klasifikasi tanaman kangkung berikut klasifikasinya kingdom plantae sub kingdom viridiplantae infra kingdom streptophyta

klasifikasi dan morfologi kangkung ipomea reptans poir - Feb 26 2022

web tanaman kangkung ipomea reptans poir diklasifikasikan sebagai berikut kingdom plantae divisi spermatophyta sub divisi angiospermae kelas dicotyledonae ordo solanales famili convolvulaceae genus ipomea spesies ipomea reptans poir

morfologi tanaman kangkung darat

tanaman kangkung klasifikasi ciri morfologi jenis dan cara - Mar 10 2023

web apr 13 2023 berikut klasifikasinya kingdom plantae sub kingdom viridiplantae infra kingdom streptophyta luar biasa divisi embryophyta divisi tracheophyta sub divisi spermatophytina kelas magnoliopsida ordo solanales family convolvulaceae genus ipomea l spesies ipomea aquatic forsk