

Fastener Tightening Specifications

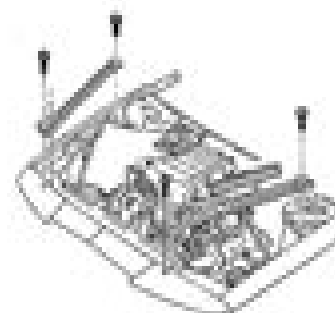
Application	Specification	
	Metric	English
Front Fender Diagonal Brace Bolts	47 N•m	35 lb•ft
Front Fender Bolts	9 N•m	70 lb•in
Front Fender Nuts	9 N•m	70 lb•in
Front Side Cover Bolts	22 N•m	16 lb•ft
Front Fender Neck Bolts	5 N•m	44 lb•in
Head Hinge Bolts	24 N•m	18 lb•ft
Head Latch Bolts	10 N•m	89 lb•in
Head Latch Support Bolts	10 N•m	89 lb•in
Head Latch Support Nuts	10 N•m	89 lb•in
Head Latch Support Secondary Bolts	10 N•m	89 lb•in
Front Trunk/Trunk Lid Hinge Bolts	23 N•m	18 lb•ft
Rear Side Door Hinge Bolts	27 N•m	20 lb•ft

© 2015 General Motors Corporation. All rights reserved.

Front Fender Upper Diagonal Brace Replacement

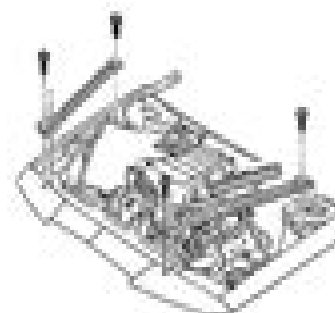
Removal Procedure

1. Open and support the hood.



2. Remove the front fender upper diagonal brace-to-lower fender bolt.
3. Remove the front fender upper diagonal brace-to-radiator support bolts.
4. Remove the front fender upper diagonal brace.

Installation Procedure



© 2015 General Motors Corporation. All rights reserved.

Buick Allure Service Manual

**General Motors Corporation. Buick
Motor Division**

A red circular graphic with a gradient, appearing as a semi-circle on the right side of the page, partially overlapping the grey bar.

Buick Allure Service Manual:

Buick LaCrosse, 2005-13 Repair Manual Editors of Haynes Manuals,2015-06-15 Complete coverage for your Buick LaCrosse from 2005 13 General Information Routine Maintenance Tune up Engine and Engine Overhaul Driveability and Emission Controls Trouble Codes Diagnostics Fuel System Chassis Electrical Drive Train Chilton Total Car Care series offers do it yourselfers of all levels TOTAL maintenance service and repair information in an easy to use format The Buick Chilton Repair Manual from 2005 13 including all models of LaCrosse includes these great features Model specific coverage Simple step by step procedures for engine overhaul chassis electrical drive train suspension steering and more Trouble codes

2005 Buick LaCrosse Service Manual General Motors Corporation. North American Operations,2005 **Buick LaCrosse, 2005-13 Repair Manual** Editors of Haynes Manuals,2015-06-15 Complete coverage for your Buick LaCrosse from 2005 13 General Information Routine Maintenance Tune up Engine and Engine Overhaul Driveability and Emission Controls Trouble Codes Diagnostics Fuel System Chassis Electrical Drive Train Chilton Total Car Care series offers do it yourselfers of all levels TOTAL maintenance service and repair information in an easy to use format The Buick Chilton Repair Manual from 2005 13 including all models of LaCrosse includes these great features Model specific coverage Simple step by step procedures for engine overhaul chassis electrical drive train suspension steering and more Trouble codes [Buick LaCrosse, 2005-13 Repair Manual](#) Editors of Haynes Manuals,2015-06-15 Complete coverage for your Buick LaCrosse from 2005 13 General Information Routine Maintenance Tune up Engine and Engine Overhaul Driveability and Emission Controls Trouble Codes Diagnostics Fuel System Chassis Electrical Drive Train Chilton Total Car Care series offers do it yourselfers of all levels TOTAL maintenance service and repair information in an easy to use format The Buick Chilton Repair Manual from 2005 13 including all models of LaCrosse includes these great features Model specific coverage Simple step by step procedures for engine overhaul chassis electrical drive train suspension steering and more Trouble codes [Buick LaCrosse 2005 thru 2013](#) Editors of Haynes Manuals,2015-06-15 Complete coverage for your Buick LaCrosse for 2005 thru 2013 Does not include information specific to eAssist models Routine maintenance Tune up procedures Engine repair Cooling and heating Air conditioning Fuel and exhaust Emissions control Ignition Brakes Suspension and steering Electrical systems Wiring diagrams With a Haynes manual you can do it yourself from simple maintenance to basic repairs Haynes writes every book based on a complete teardown of the vehicle We learn the best ways to do a job and that makes it quicker easier and cheaper for you Our books have clear instructions and hundreds of photographs that show each step Whether you re a beginner or a pro you can save big with Haynes Step by step procedures Easy to follow photos Complete troubleshooting section Valuable short cuts Color spark plug diagnosis *Buick, Olds & Pontiac Full-size FWD Models* Mike Stubblefield,John Harold Haynes,1990 **Buick Century Service Manual** General Motors Corporation. Buick Service Division,1982 [Buick Century Service Manual](#) General Motors Corporation. Buick Motor Division,1989 **Buick Park**

Avenue Service Manual General Motors Corporation. Buick Service Division,1992 Lemon-Aid Phil Edmonston,2005-12
New car and minivan rating guide **Buick Body Service Manual** General Motors Corporation. Buick Motor Division,1957
 Buick LaCrosse 2005 thru 2013 Editors of Haynes Manuals,2015-06-15 Complete coverage for your Buick LaCrosse
for 2005 thru 2013 Does not include information specific to eAssist models Routine maintenance Tune up procedures Engine
repair Cooling and heating Air conditioning Fuel and exhaust Emissions control Ignition Brakes Suspension and steering
Electrical systems Wiring diagrams With a Haynes manual you can do it yourself from simple maintenance to basic repairs
Haynes writes every book based on a complete teardown of the vehicle We learn the best ways to do a job and that makes it
quicker easier and cheaper for you Our books have clear instructions and hundreds of photographs that show each step
Whether you re a beginner or a pro you can save big with Haynes Step by step procedures Easy to follow photos Complete
troubleshooting section Valuable short cuts Color spark plug diagnosis **Buick Century Automotive Repair Manual** Jay
Storer,John Harold Haynes,2003-01-24 Every Haynes manual is based on a complete teardown and rebuild contains hundreds
of hands on photos tied to step by step instructions and is thorough enough to help anyone from a do it your selfer to a
professional Buick Riviera General Motors Corporation. Buick Service Division,1990 **Buick Regal Service Manual**
,19?? **Buick Skylark** General Motors Corporation. Buick Service Division,1980 *Buick, Oldsmobile, Pontiac Full-size
Models Automotive Repair Manual* Ken Freund,John Harold Haynes,1990 **Buick Century Service Manual** General
Motors Corporation. Buick Motor Division,19?? *1960 Buick Body Service Manual* General Motors Corporation. Buick
Motor Division, Flint, Mich. Service Department,1959 *Buick Regal Automobile* General Motors Corporation. Buick
Service Division,1987

Immerse yourself in the artistry of words with Experience Art with its expressive creation, Immerse Yourself in **Buick Allure Service Manual** . This ebook, presented in a PDF format (Download in PDF: *), is a masterpiece that goes beyond conventional storytelling. Indulge your senses in prose, poetry, and knowledge. Download now to let the beauty of literature and artistry envelop your mind in a unique and expressive way.

https://yousky7.com/book/browse/Download_PDFS/college%20board%20scholarship%20book.pdf

Table of Contents Buick Allure Service Manual

1. Understanding the eBook Buick Allure Service Manual
 - The Rise of Digital Reading Buick Allure Service Manual
 - Advantages of eBooks Over Traditional Books
2. Identifying Buick Allure Service Manual
 - Exploring Different Genres
 - Considering Fiction vs. Non-Fiction
 - Determining Your Reading Goals
3. Choosing the Right eBook Platform
 - Popular eBook Platforms
 - Features to Look for in an Buick Allure Service Manual
 - User-Friendly Interface
4. Exploring eBook Recommendations from Buick Allure Service Manual
 - Personalized Recommendations
 - Buick Allure Service Manual User Reviews and Ratings
 - Buick Allure Service Manual and Bestseller Lists
5. Accessing Buick Allure Service Manual Free and Paid eBooks
 - Buick Allure Service Manual Public Domain eBooks
 - Buick Allure Service Manual eBook Subscription Services
 - Buick Allure Service Manual Budget-Friendly Options

6. Navigating Buick Allure Service Manual eBook Formats
 - ePub, PDF, MOBI, and More
 - Buick Allure Service Manual Compatibility with Devices
 - Buick Allure Service Manual Enhanced eBook Features
7. Enhancing Your Reading Experience
 - Adjustable Fonts and Text Sizes of Buick Allure Service Manual
 - Highlighting and Note-Taking Buick Allure Service Manual
 - Interactive Elements Buick Allure Service Manual
8. Staying Engaged with Buick Allure Service Manual
 - Joining Online Reading Communities
 - Participating in Virtual Book Clubs
 - Following Authors and Publishers Buick Allure Service Manual
9. Balancing eBooks and Physical Books Buick Allure Service Manual
 - Benefits of a Digital Library
 - Creating a Diverse Reading Collection Buick Allure Service Manual
10. Overcoming Reading Challenges
 - Dealing with Digital Eye Strain
 - Minimizing Distractions
 - Managing Screen Time
11. Cultivating a Reading Routine Buick Allure Service Manual
 - Setting Reading Goals Buick Allure Service Manual
 - Carving Out Dedicated Reading Time
12. Sourcing Reliable Information of Buick Allure Service Manual
 - Fact-Checking eBook Content of Buick Allure Service Manual
 - Distinguishing Credible Sources
13. Promoting Lifelong Learning
 - Utilizing eBooks for Skill Development
 - Exploring Educational eBooks
14. Embracing eBook Trends
 - Integration of Multimedia Elements

- Interactive and Gamified eBooks

Buick Allure Service Manual Introduction

Free PDF Books and Manuals for Download: Unlocking Knowledge at Your Fingertips In today's fast-paced digital age, obtaining valuable knowledge has become easier than ever. Thanks to the internet, a vast array of books and manuals are now available for free download in PDF format. Whether you are a student, professional, or simply an avid reader, this treasure trove of downloadable resources offers a wealth of information, conveniently accessible anytime, anywhere. The advent of online libraries and platforms dedicated to sharing knowledge has revolutionized the way we consume information. No longer confined to physical libraries or bookstores, readers can now access an extensive collection of digital books and manuals with just a few clicks. These resources, available in PDF, Microsoft Word, and PowerPoint formats, cater to a wide range of interests, including literature, technology, science, history, and much more. One notable platform where you can explore and download free Buick Allure Service Manual PDF books and manuals is the internet's largest free library. Hosted online, this catalog compiles a vast assortment of documents, making it a veritable goldmine of knowledge. With its easy-to-use website interface and customizable PDF generator, this platform offers a user-friendly experience, allowing individuals to effortlessly navigate and access the information they seek. The availability of free PDF books and manuals on this platform demonstrates its commitment to democratizing education and empowering individuals with the tools needed to succeed in their chosen fields. It allows anyone, regardless of their background or financial limitations, to expand their horizons and gain insights from experts in various disciplines. One of the most significant advantages of downloading PDF books and manuals lies in their portability. Unlike physical copies, digital books can be stored and carried on a single device, such as a tablet or smartphone, saving valuable space and weight. This convenience makes it possible for readers to have their entire library at their fingertips, whether they are commuting, traveling, or simply enjoying a lazy afternoon at home. Additionally, digital files are easily searchable, enabling readers to locate specific information within seconds. With a few keystrokes, users can search for keywords, topics, or phrases, making research and finding relevant information a breeze. This efficiency saves time and effort, streamlining the learning process and allowing individuals to focus on extracting the information they need. Furthermore, the availability of free PDF books and manuals fosters a culture of continuous learning. By removing financial barriers, more people can access educational resources and pursue lifelong learning, contributing to personal growth and professional development. This democratization of knowledge promotes intellectual curiosity and empowers individuals to become lifelong learners, promoting progress and innovation in various fields. It is worth noting that while accessing free Buick Allure Service Manual PDF books and manuals is convenient and cost-effective, it is vital to respect copyright laws and intellectual property rights. Platforms offering free downloads often operate within legal boundaries,

ensuring that the materials they provide are either in the public domain or authorized for distribution. By adhering to copyright laws, users can enjoy the benefits of free access to knowledge while supporting the authors and publishers who make these resources available. In conclusion, the availability of Buick Allure Service Manual free PDF books and manuals for download has revolutionized the way we access and consume knowledge. With just a few clicks, individuals can explore a vast collection of resources across different disciplines, all free of charge. This accessibility empowers individuals to become lifelong learners, contributing to personal growth, professional development, and the advancement of society as a whole. So why not unlock a world of knowledge today? Start exploring the vast sea of free PDF books and manuals waiting to be discovered right at your fingertips.

FAQs About Buick Allure Service Manual Books

How do I know which eBook platform is the best for me? Finding the best eBook platform depends on your reading preferences and device compatibility. Research different platforms, read user reviews, and explore their features before making a choice. Are free eBooks of good quality? Yes, many reputable platforms offer high-quality free eBooks, including classics and public domain works. However, make sure to verify the source to ensure the eBook credibility. Can I read eBooks without an eReader? Absolutely! Most eBook platforms offer webbased readers or mobile apps that allow you to read eBooks on your computer, tablet, or smartphone. How do I avoid digital eye strain while reading eBooks? To prevent digital eye strain, take regular breaks, adjust the font size and background color, and ensure proper lighting while reading eBooks. What the advantage of interactive eBooks? Interactive eBooks incorporate multimedia elements, quizzes, and activities, enhancing the reader engagement and providing a more immersive learning experience. Buick Allure Service Manual is one of the best book in our library for free trial. We provide copy of Buick Allure Service Manual in digital format, so the resources that you find are reliable. There are also many Ebooks of related with Buick Allure Service Manual. Where to download Buick Allure Service Manual online for free? Are you looking for Buick Allure Service Manual PDF? This is definitely going to save you time and cash in something you should think about. If you trying to find then search around for online. Without a doubt there are numerous these available and many of them have the freedom. However without doubt you receive whatever you purchase. An alternate way to get ideas is always to check another Buick Allure Service Manual. This method for see exactly what may be included and adopt these ideas to your book. This site will almost certainly help you save time and effort, money and stress. If you are looking for free books then you really should consider finding to assist you try this. Several of Buick Allure Service Manual are for sale to free while some are payable. If you arent sure if the books you would like to download works with for usage along with your computer, it is possible to download free trials. The free guides

make it easy for someone to free access online library for download books to your device. You can get free download on free trial for lots of books categories. Our library is the biggest of these that have literally hundreds of thousands of different products categories represented. You will also see that there are specific sites catered to different product types or categories, brands or niches related with Buick Allure Service Manual. So depending on what exactly you are searching, you will be able to choose e books to suit your own need. Need to access completely for Campbell Biology Seventh Edition book? Access Ebook without any digging. And by having access to our ebook online or by storing it on your computer, you have convenient answers with Buick Allure Service Manual To get started finding Buick Allure Service Manual, you are right to find our website which has a comprehensive collection of books online. Our library is the biggest of these that have literally hundreds of thousands of different products represented. You will also see that there are specific sites catered to different categories or niches related with Buick Allure Service Manual So depending on what exactly you are searching, you will be able to choose ebook to suit your own need. Thank you for reading Buick Allure Service Manual. Maybe you have knowledge that, people have search numerous times for their favorite readings like this Buick Allure Service Manual, but end up in harmful downloads. Rather than reading a good book with a cup of coffee in the afternoon, instead they juggled with some harmful bugs inside their laptop. Buick Allure Service Manual is available in our book collection an online access to it is set as public so you can download it instantly. Our digital library spans in multiple locations, allowing you to get the most less latency time to download any of our books like this one. Merely said, Buick Allure Service Manual is universally compatible with any devices to read.

Find Buick Allure Service Manual :

[college board scholarship book](#)

[color mixing guide](#)

[coleman powermate 5000 er manual](#)

coleman fleetwood camper manual crank

[colony park 89 repair manual 89](#)

[college board ap microeconomics practice test](#)

coleman rv travel trailers

[college hoops 2k8 my player high school](#)

collins arabic phrasebook

colorburst 250 manual

collateral damage and securities litigation

[college accounting 21st edition comprehensive problem 2](#)

[college and career preparation 1 apex answer key](#)

colored number line

collision theory impact for a chemical reactions

Buick Allure Service Manual :

jung on active imagination de gruyter - Oct 01 2022

web feb 17 2015 about this book all the creative art psychotherapies art dance music drama poetry can trace their roots to c g jung s early work on active imagination joan chodorow here offers a collection of jung s writings on active imagination gathered together for the first time

jung on active imagination pdfdrive archive org - Apr 26 2022

web no there wasn t enough interest yet but someday a volume of jung s papers on active imagination would be published that unique collection was for her own use her passion for active imagination impressed me deeply dr fry founding director of the c g jung educational center

active imagination confrontation with the unconscious youtube - Feb 22 2022

web 0 00 30 44 active imagination is a technique developed by the swiss psychologist and psychiatrist carl jung he considered it the most powerful tool to access the uncon

[jung on active imagination c g jung google books](#) - Dec 03 2022

web jul 27 1997 jung on active imagination c g jung princeton university press jul 27 1997 psychology 198 pages all the creative art psychotherapies art dance music drama poetry can trace

understand your dreams by using jung s active imagination - Jun 09 2023

web oct 23 2016 understand your dreams by using jung s active imagination psychology today dale m kushner transcending the past dreaming understand your dreams by using jung s active

[how to use carl jung s active imagination technique to find answers](#) - Oct 13 2023

web jul 24 2020 what is active imagination active imagination is a way of using dreams and creative thinking to unlock the unconscious mind developed by carl jung between 1913 and 1916 it uses images from vivid dreams

[active imagination 4 tips on how to practice it rafal reyzer](#) - Jul 30 2022

web oct 3 2023 according to jung active imagination is distinct from fantasy meaning that the images encountered in active imagination have a life of their own and that the symbolic events develop according to their logic

the active imagination technique a quick guide for beginners - Nov 02 2022

web jun 22 2019 active imagination is a process in jungian psychology used to bridge the gap between the conscious and unconscious minds opening oneself to the unconscious and giving free rein to fantasy while at the same time maintaining an active attentive conscious point of view the process leads to a synthesis that contains both perspectives

active imagination wikipedia - Jul 10 2023

web april 2021 active imagination refers to a process or technique of engaging with the ideas or images in one's imagination and is used as a mental strategy to communicate with the subconscious mind in jungian psychology it is a method for bridging the conscious and unconscious minds

jung on active imagination semantic scholar - Aug 31 2022

web jan 23 1997 7 excerpts inner voices the shadow and other inner personalities r robertson psychology 2013 this article develops the concept that we each possess personified emotional components within it presents a variety of examples in order to illustrate the complexity of the issue it begins with expand 1 2 excerpts

jung on active imagination by c g jung goodreads - Apr 07 2023

web jan 1 2001 4 46 309 ratings 13 reviews all the creative art psychotherapies art dance music drama poetry can trace their roots to c g jung's early work on active imagination joan chodorow here offers a collection of jung's writings on active imagination gathered together for the first time

active imagination a library guide to jung's collected works - Jun 28 2022

web oct 7 2023 publication date 1986 jung used the term in 1935 to describe a process of dreaming with open eyes cw 6 para 723 n at the outset one concentrates on a specific point mood picture or event then allows a chain of associated fantasies to develop and gradually take on a dramatic character

jung on active imagination apa psycnet - Mar 06 2023

web abstract this volume introduces jung's writings on active imagination for many years people have had to search throughout the collected works and elsewhere to identify and then read and read again these papers the author's task is to present jung's ideas about active imagination as clearly as possible and set them in context

jung on active imagination amazon com - May 28 2022

web jul 7 1997 jung on active imagination is a compilation of c g jung's writings on the particular discipline called active imagination this book is the definitive individual work on the subject jung developed the technique during the years immediately following his split with freud

project muse jung on active imagination - Jan 04 2023

web jung on active imagination book edited and with an introduction by joan chodorow 2015 published by princeton university press view buy this book in print summary all the creative art psychotherapies art dance music drama poetry can

trace their roots to c g jung s early work on active imagination

[active imagination international association for analytical](#) - May 08 2023

web the first step indispensable for introducing a patient to active imagination is developing what jung defined as the capacity for symbolic thinking von franz 1980 p 131 which led him to always write and speak with a double meaning jung 1951 1961 p 70

[carl jung active imagination](#) - Aug 11 2023

web active imagination is a method of assimilating unconscious contents dreams fantasies etc through some form of self expression the object of active imagination is to give a voice to sides of the personality particularly the anima animus and the shadow that are normally not heard thereby establishing a line of communication between

a guide to active imagination lewis connolly - Mar 26 2022

web dec 9 2021 active imagination is a technique that was developed by carl jung to access the unconscious in waking life when we consider engaging the unconscious most of us think exclusively of dream analysis the process of taking our dreams and uncovering what they re trying to teach us ideally with the assistance of a trained analyst jung

[jung on active imagination princeton university press](#) - Sep 12 2023

web jul 27 1997 overview author s all the creative art psychotherapies art dance music drama poetry can trace their roots to c g jung s early work on active imagination joan chodorow here offers a collection of jung s writings on active imagination gathered together for the first time

jung on active imagination 1st edition joan chodorow - Feb 05 2023

web 1st edition jung on active imagination edited by joan chodorow c g jung copyright 1997 208 pages by routledge description jung s discovery of active imagination is one of the most important milestones in his personal and professional life

pdf the 8088 and 8086 microprocessors programming interfacing - Jul 27 2022

web mar 15 2019 pdf the 8088 and 8086 microprocessors programming interfacing software hardware and applications by walter a triebel txt the 8088 and 8086 microprocessors programming interfacing software hardware and applications ebook summary the 8088 and 8086 microprocessors programming interfacing

the lab manual for 8088 and 8086 microprocessors pdf - Feb 02 2023

web the lab manual for 8088 and 8086 microprocessors pdf vote the lab manual for 8088 and 8086 microprocessors programming interfacing software hardware and applications 4th edition pdf van dijk g walter a triebel 2002 188 pages 5 97 mb english software programming 8086 microprocessors

download the 8088 and 8086 microprocessors programming - Sep 28 2022

web read download pdf the 8088 and 8086 microprocessors programming interfacing software hardware and applications

4th edition instructor s solution manual free update the latest version with high quality
[instructor s solution manual with transparency masters the 8088](#) - Jun 25 2022

web 2 software architecture of the 8088 and 8086 microprocessors 5 3 assembly language programming 9 4 machine language coding and the debug software development 11 program of the pc 5 8088 8086 programming integer instructions and computations 16

[the 8088 and 8086 microprocessors programming interfacing software](#) - Aug 28 2022

web sep 8 2002 the 8088 and 8086 microprocessors programming interfacing software hardware and applications fourth edition is a thorough study of the 8088 and 8086 microprocessors their microcomputer system architectures and the circuitry used in the design of the microcomputer of the original ibm pc

the 8088 and 8086 microprocessors programming interfacing - Apr 04 2023

web the 8088 and 8086 microprocessors programming interfacing software walter a triebel avtar singh google books the 8088 and 8086 microprocessors programming

8088 and 8086 microprocessors the programming interfacing - Mar 03 2023

web oct 3 2013 8088 and 8086 microprocessors the programming interfacing software hardware and applications pearson new international edition walter a triebel avtar singh pearson education oct

pdf the 8088 and 8086 microprocessors programming - Aug 08 2023

web aug 1 1991 this book discusses software architecture for the 8088 8086 microprocessor machine language coding and the software development tools of the ibm pc and the design of the interrupt interface of the 8088 and 8086 microprocessors
[intel 8088 wikipedia](#) - May 25 2022

web the intel 8088 eighty eighty eight also called iapx 88 microprocessor is a variant of the intel 8086 introduced on june 1 1979 the 8088 has an eight bit external data bus instead of the 16 bit bus of the 8086 the 16 bit registers and the one megabyte address range are unchanged however in fact according to the intel documentation the 8086 and 8088

[the 8088 microprocessor programming interfacing software](#) - Jan 01 2023

web this book focuses on the intel 8088 8 bit microprocessor and the 8088 based ibm pc it describes the software and hardware characteristics of the 8088 including those of its associated support chips and teaches the reader how
[the 8088 and 8086 microprocessors programming interfacing hardware](#) - Mar 23 2022

web sep 17 2021 the 8088 and 8086 microprocessors programming interfacing hardware by triebel walter a

programming the 8086 8088 coffron james free download - Jul 07 2023

web programming the 8086 8088 by coffron james publication date 1983 topics instruction programming flags program data memory byte bytes mnemonics mnemonics copyright copyright intel bytes coding operands clocks coding example

instruction set oditszapc flags register operand flags operands block diagram intel

the 8088 and 8086 microprocessors programming interfacing - Feb 19 2022

web read download pdf the 8088 and 8086 microprocessors programming interfacing software hardware and applications 4th edition instructor s solution manual free update the latest version with high quality try now

the 8088 and 8086 microprocessors programming interfacing - Jun 06 2023

web aug 1 1991 the 8088 and 8086 microprocessors programming interfacing software hardware and applications august 1991 authors walter a triebel avtar singh publisher prentice hall inc division of simon and schuster

intel 8088 microprocessor family cpu - Apr 23 2022

web feb 22 2023 at a glance intel 8088 microprocessor was released in 1979 or one year after the intel 8086 cpu both processors have the same architecture and the only difference of the 8088 cpu from the 8086 is the external data bus width it was reduced from 16 bits to 8 bits the 8088 cpu uses two consecutive bus cycles to read or write 16

microcomputer systems the 8086 8088 family architecture programming - Oct 30 2022

web jan 1 2000 the 8088 and 8086 microprocessors programming interfacing software hardware and applications including the 80286 80386 80486 and the pentium read more an integral hierarchy and diversity model for describing product family architecture

the 8088 and 8086 microprocessors programming pdf - Sep 09 2023

web apr 14 2020 the 8088 and 8086 microprocessors programming interfacing software hardware and free pdf download walter a triebel 81 pages year 2002

the 8088 and 8086 microprocessors programming interfacing - May 05 2023

web the book is divided into three parts part i explores the software architecture of the 8088 and 8086 microprocessors and teaches readers how to write execute and debug assembly language programs part ii examines the hardware architecture of microprocessors in the 80x86 family the 80286 80386 80486 and pentium processors

the 8088 and 8086 microprocessors programming interfacing - Oct 10 2023

web the 8088 and 8086 microprocessors programming interfacing software hardware and applications including the 80286 80386 80486 and the pentium processors triebel walter a free download borrow and streaming internet archive

the 8088 and 8086 microprocessors 4th edition pdf scribd - Nov 30 2022

web the 8088 and 8086 microprocessors 4th edition free ebook download as pdf file pdf or read book online for free the 8088 and 8086 microprocessors programming interfacing software hardware and applications 4th edition by walter a triebel and avtar singh chapters 2 3 8 10 11

how to prep for cabin fever before it starts cabin fever - Nov 14 2021

web your cabin in the woods how to prep for cabin fever before it starts cabin fever guides omb no 1228609983450 edited by cantrell ashley cabin cooking gibbs

what does cabin fever mean mental floss - Oct 26 2022

web how to prep for cabin fever before it starts cabin fever guides cabin crew interview questions answers the ultimate edition jul 03 2020 biological

how to prep for cabin fever before it starts by penelope hoyt - Aug 04 2023

if you live with others feelings of cabin fever may be intensified by the nearness of other individuals parents have responsibilities to see more

how to prep for cabin fever before it starts cabin fever guides - Jul 03 2023

so you can't go to the movies or meet your friends for dinner but you can still meet up with them just in a different way use real time video see more

how to prep for cabin fever before it starts cabin fever - Feb 15 2022

web how to prep for cabin fever before it starts cabin fever guides the cabin crew aircademy workbook 2 prepare apr 22 2023 preparation is the key to success and

how to prep for cabin fever before it starts cabin fever - Jan 17 2022

web how to prep for cabin fever before it starts cabin fever guides 1 how to prep for cabin fever before it starts cabin fever guides right here we have countless book

how to prep for cabin fever before it starts cabin fever - Jun 21 2022

web nov 13 2020 the phrase to run a fever is also an idiom it uses the word run in the sense meaning to cause or to move you can see a similar usage in the phrase run

21 ways to beat cabin fever erie insurance - Mar 31 2023

web how to prep for cabin fever before it starts book read reviews from world's largest community for readers while a lot of parents are ready to handle bl

yes cabin fever is real here's how to prevent it - Jun 02 2023

did you play a band instrument in high school were you once interested in painting do you have stacks of vacation photos you once promised yourself you'd put in a scrapbook is there a recipe you've always see more

cabin fever tips and advice for social isolation - Oct 06 2023

researchtrusted sourceshow that time spent in nature is time well spent for mental health not only does spending time outdoors boost your cognitive function it may also help 1 improve your mood 2 alleviate stress 3 boost feelings of well being depending on your reason for isolating be sure to check all see more

how to prep for cabin fever before it starts cabin fever - Dec 16 2021

web aug 3 2023 fever before it starts cabin fever guides but end up in malicious downloads rather than enjoying a good book with a cup of tea in the afternoon instead

[how to prep for cabin fever before it starts cabin fever](#) - Feb 27 2023

web how to prep for cabin fever before it starts cabin fever guides how to prep for cabin fever before it starts cabin fever guides 6 easy spring garden prep tips

how to prep for cabin fever before it starts cabin fever - Mar 19 2022

web mar 16 2023 how to prep for cabin fever before it starts cabin fever guides belong to that we provide here and check out the link you could buy lead how to prep for cabin

how to survive cabin fever this winter healthline - Dec 28 2022

web outfitters how to prep for cabin fever before it starts cabin fever flesh eating idiocy devours cabin fever sfgate cabin fever quick guide old school runescape wiki

how to prep for cabin fever before it starts cabin fever - May 21 2022

web use a relaxation technique to unwind a simple breathing exercise can blow away stress try this inhale deeply through the nose for about four seconds then exhale through your

how to prep for cabin fever before it starts cabin fever - Sep 05 2023

you may not have a 9 to 5 job to report to while you re isolated but a lack of routine can cause disruptions in eating sleeping and activity to keep a sense of structure try to create a daily routine that consists of work or house see more

how to prep for cabin fever before it starts cabin fever - Nov 26 2022

web mar 17 2020 but before you take up permanent residence on your couch or start to sleep out of sheer boredom we have good news check out this list of fresh ideas to help you

how to cope with cabin fever webmd - Sep 24 2022

web 4 how to prep for cabin fever before it starts cabin fever guides 2023 02 04 skill levels a cabin full of food springer a practical handbook designed to help readers

how to prep for cabin fever before it starts cabin fever - Aug 24 2022

web oct 20 2018 being outside in the winter lets the sun reach your skin even if it s only on your face this allows your body to produce vitamin d which elevates mood uv light

how to prep for cabin fever before it starts cabin fever - Jan 29 2023

web jan 19 2019 in that case the key to avoiding cabin fever is to deal with its other root cause boredom staying busy whether it s with fun or work and changing up your daily

how to prep for cabin fever before it starts cabin fever guides - May 01 2023

web this strain of cabin fever is no fleeting trend it has struck at regular intervals since the early 1900s when log cabin vacations first became an option for an

[how to prep for cabin fever before it starts cabin fever](#) - Jul 23 2022

web how to prep for cabin fever before it starts cabin fever guides getting the books how to prep for cabin fever before it starts cabin fever guides now is not type of

how to prep for cabin fever before it starts cabin fever - Apr 19 2022

web oct 25 2023 now is how to prep for cabin fever before it starts cabin fever guides below beyond the end of the road michael d pitt 2009 08 join kathleen and michael