

AVENT
Natural
EXPRESS

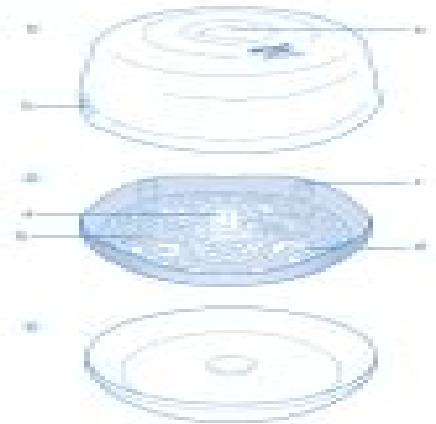


AVENT Natural EXPRESS
Bottle Cover

AVENT
Natural
EXPRESS



1



Avent Naturally Express Ii Manual

Richard Saul Wurman



Avent Naturally Express II Manual:

Understanding Children Richard Saul Wurman, 2002 Questions and answers regarding children age 0 to age 3 **The Lilaguide: Baby Gear Guide** Lilaguide, Elysa Marco, 2005-09 This pocket sized guide provides ratings and reviews of parents favorite baby gear including strollers car seats highchairs toys clothing and much more Each listing in the guide provides manufacturer s information and product specs in addition to parent ratings and quotes commentary Alphabetical and manufacturer indexes make finding relevant information easy and fun **The Official Railway Guide** ,1896

Snow's Pathfinder Railway Guide ,1883 **The Official Guide of the Railways and Steam Navigation Lines of the United States, Porto Rico, Canada, Mexico and Cuba** ,1897 *Moody's Industrial Manual* ,1997 Covering New York American regional stock exchanges international companies *Manual of Cooperative Group Treatment for Aphasia* Jan R. Avent, 1997 The first guide of its kind Manual of Cooperative Group Treatment Therapy for Aphasia will provide outcome measures goals and procedures for treatment of patients with chronic aphasia and head injuries Feeding and Nutrition in the Preterm Infant Elizabeth A. Jones, Caroline King, 2005-10-06 A practical handbook for healthcare professionals that covers all aspects of pre term nutrition using evidence based information to promote safe and effective practice Readers will discover problem solving strategies interventions and information on meeting the nutritional requirements of pre term infants Easily accessible information on all aspects of pre term and neonatal nutrition Includes the latest research based information on mammary physiology and the dynamics of milk expression Discusses the nutritional requirements of the pre term breastfed infant and how to succeed in meeting these needs Provides effective interventions to prevent pre term breastfeeding failures Problem solving strategies ensure a smooth transition from nasogastric to breastfeeding Forest and Stream ,1899 Complete Baby & Child Care Miriam Stoppard, 2008-06-30 Authoritative but easily accessible Complete Baby and Childcare is an invaluable source of information for all parents of infants toddlers and preschool kids Dr Miriam Stoppard takes the mystery out of child rearing in this guide to the first five years of a child s life The book provides information on topics as diverse as potty training and sleeping patterns to childhood phobias and developmental issues This new edition has not only been given a completely new look with stunning new photography but it has also been updated and rewritten with 20 25 percent new material New information will cover the latest developments in baby and childcare such as using sign language to communicate with your baby and progressive child centered parenting tactics **Midland Schools** ,1922 **Parent-Child Relations** Hisham Altalib, Abdulhamid Abusulayman, Omar Altalib, 2013 This easy to read comprehensive guide contains what you need to know on how to parent with confidence Packed with advice and powerful tips using the latest research on child development and parenting techniques it offers a mine of information on how to let children flourish take the frustration out of parenting and develop happy family relations Authors provide guidance on developing character knowledge values and skills as well as a faith based outlook in children benefitting parents with kids of

all ages e many strategies and techniques offered include teaching children how to problem solve make decisions and develop self esteem Raising God conscious moral successful children with a sense of civic responsibility in today s world is not easy It is also not impossible Effective parenting is the key **TV Guide** ,2000 **The London Lancet** ,1849

Catalog of Copyright Entries. Third Series Library of Congress. Copyright Office,1947 Includes Part 1A Books Part 1B Pamphlets Serials and Contributions to Periodicals and Part 2 Periodicals Part 2 Periodicals incorporates Part 2 Volume 41 1946 New Series The Fanciers' Journal ,1891 **Southern Agriculturist** ,1918 **Canadiana** ,1984-06 New International Dictionary ,1920 National Stockman and Farmer ,1894

This is likewise one of the factors by obtaining the soft documents of this **Avent Naturally Express Ii Manual** by online. You might not require more become old to spend to go to the ebook introduction as competently as search for them. In some cases, you likewise attain not discover the proclamation Avent Naturally Express Ii Manual that you are looking for. It will unquestionably squander the time.

However below, next you visit this web page, it will be thus enormously simple to get as skillfully as download lead Avent Naturally Express Ii Manual

It will not recognize many period as we explain before. You can pull off it even if play in something else at home and even in your workplace. consequently easy! So, are you question? Just exercise just what we allow under as without difficulty as evaluation **Avent Naturally Express Ii Manual** what you past to read!

https://yousky7.com/data/browse/default.aspx/Advanced_Methods_For_Ultimate_How_To_Invest.pdf

Table of Contents Avent Naturally Express Ii Manual

1. Understanding the eBook Avent Naturally Express Ii Manual
 - The Rise of Digital Reading Avent Naturally Express Ii Manual
 - Advantages of eBooks Over Traditional Books
2. Identifying Avent Naturally Express Ii Manual
 - Exploring Different Genres
 - Considering Fiction vs. Non-Fiction
 - Determining Your Reading Goals
3. Choosing the Right eBook Platform
 - Popular eBook Platforms
 - Features to Look for in an Avent Naturally Express Ii Manual
 - User-Friendly Interface
4. Exploring eBook Recommendations from Avent Naturally Express Ii Manual

- Personalized Recommendations
 - Avent Naturally Express Ii Manual User Reviews and Ratings
 - Avent Naturally Express Ii Manual and Bestseller Lists
5. Accessing Avent Naturally Express Ii Manual Free and Paid eBooks
 - Avent Naturally Express Ii Manual Public Domain eBooks
 - Avent Naturally Express Ii Manual eBook Subscription Services
 - Avent Naturally Express Ii Manual Budget-Friendly Options
 6. Navigating Avent Naturally Express Ii Manual eBook Formats
 - ePub, PDF, MOBI, and More
 - Avent Naturally Express Ii Manual Compatibility with Devices
 - Avent Naturally Express Ii Manual Enhanced eBook Features
 7. Enhancing Your Reading Experience
 - Adjustable Fonts and Text Sizes of Avent Naturally Express Ii Manual
 - Highlighting and Note-Taking Avent Naturally Express Ii Manual
 - Interactive Elements Avent Naturally Express Ii Manual
 8. Staying Engaged with Avent Naturally Express Ii Manual
 - Joining Online Reading Communities
 - Participating in Virtual Book Clubs
 - Following Authors and Publishers Avent Naturally Express Ii Manual
 9. Balancing eBooks and Physical Books Avent Naturally Express Ii Manual
 - Benefits of a Digital Library
 - Creating a Diverse Reading Collection Avent Naturally Express Ii Manual
 10. Overcoming Reading Challenges
 - Dealing with Digital Eye Strain
 - Minimizing Distractions
 - Managing Screen Time
 11. Cultivating a Reading Routine Avent Naturally Express Ii Manual
 - Setting Reading Goals Avent Naturally Express Ii Manual
 - Carving Out Dedicated Reading Time
 12. Sourcing Reliable Information of Avent Naturally Express Ii Manual

- Fact-Checking eBook Content of Avent Naturally Express Ii Manual
 - Distinguishing Credible Sources
13. Promoting Lifelong Learning
- Utilizing eBooks for Skill Development
 - Exploring Educational eBooks
14. Embracing eBook Trends
- Integration of Multimedia Elements
 - Interactive and Gamified eBooks

Avent Naturally Express Ii Manual Introduction

In this digital age, the convenience of accessing information at our fingertips has become a necessity. Whether its research papers, eBooks, or user manuals, PDF files have become the preferred format for sharing and reading documents. However, the cost associated with purchasing PDF files can sometimes be a barrier for many individuals and organizations. Thankfully, there are numerous websites and platforms that allow users to download free PDF files legally. In this article, we will explore some of the best platforms to download free PDFs. One of the most popular platforms to download free PDF files is Project Gutenberg. This online library offers over 60,000 free eBooks that are in the public domain. From classic literature to historical documents, Project Gutenberg provides a wide range of PDF files that can be downloaded and enjoyed on various devices. The website is user-friendly and allows users to search for specific titles or browse through different categories. Another reliable platform for downloading Avent Naturally Express Ii Manual free PDF files is Open Library. With its vast collection of over 1 million eBooks, Open Library has something for every reader. The website offers a seamless experience by providing options to borrow or download PDF files. Users simply need to create a free account to access this treasure trove of knowledge. Open Library also allows users to contribute by uploading and sharing their own PDF files, making it a collaborative platform for book enthusiasts. For those interested in academic resources, there are websites dedicated to providing free PDFs of research papers and scientific articles. One such website is Academia.edu, which allows researchers and scholars to share their work with a global audience. Users can download PDF files of research papers, theses, and dissertations covering a wide range of subjects. Academia.edu also provides a platform for discussions and networking within the academic community. When it comes to downloading Avent Naturally Express Ii Manual free PDF files of magazines, brochures, and catalogs, Issuu is a popular choice. This digital publishing platform hosts a vast collection of publications from around the world. Users can search for specific titles or explore various categories and genres. Issuu offers a seamless reading experience with its user-friendly interface and allows users to download PDF files for offline reading. Apart from

dedicated platforms, search engines also play a crucial role in finding free PDF files. Google, for instance, has an advanced search feature that allows users to filter results by file type. By specifying the file type as "PDF," users can find websites that offer free PDF downloads on a specific topic. While downloading Avent Naturally Express Ii Manual free PDF files is convenient, its important to note that copyright laws must be respected. Always ensure that the PDF files you download are legally available for free. Many authors and publishers voluntarily provide free PDF versions of their work, but its essential to be cautious and verify the authenticity of the source before downloading Avent Naturally Express Ii Manual. In conclusion, the internet offers numerous platforms and websites that allow users to download free PDF files legally. Whether its classic literature, research papers, or magazines, there is something for everyone. The platforms mentioned in this article, such as Project Gutenberg, Open Library, Academia.edu, and Issuu, provide access to a vast collection of PDF files. However, users should always be cautious and verify the legality of the source before downloading Avent Naturally Express Ii Manual any PDF files. With these platforms, the world of PDF downloads is just a click away.

FAQs About Avent Naturally Express Ii Manual Books

What is a Avent Naturally Express Ii Manual PDF? A PDF (Portable Document Format) is a file format developed by Adobe that preserves the layout and formatting of a document, regardless of the software, hardware, or operating system used to view or print it. **How do I create a Avent Naturally Express Ii Manual PDF?** There are several ways to create a PDF: Use software like Adobe Acrobat, Microsoft Word, or Google Docs, which often have built-in PDF creation tools. Print to PDF: Many applications and operating systems have a "Print to PDF" option that allows you to save a document as a PDF file instead of printing it on paper. Online converters: There are various online tools that can convert different file types to PDF. **How do I edit a Avent Naturally Express Ii Manual PDF?** Editing a PDF can be done with software like Adobe Acrobat, which allows direct editing of text, images, and other elements within the PDF. Some free tools, like PDFescape or Smallpdf, also offer basic editing capabilities. **How do I convert a Avent Naturally Express Ii Manual PDF to another file format?** There are multiple ways to convert a PDF to another format: Use online converters like Smallpdf, Zamzar, or Adobe Acrobats export feature to convert PDFs to formats like Word, Excel, JPEG, etc. Software like Adobe Acrobat, Microsoft Word, or other PDF editors may have options to export or save PDFs in different formats. **How do I password-protect a Avent Naturally Express Ii Manual PDF?** Most PDF editing software allows you to add password protection. In Adobe Acrobat, for instance, you can go to "File" -> "Properties" -> "Security" to set a password to restrict access or editing capabilities. Are there any free alternatives to Adobe Acrobat for working with PDFs? Yes, there are many free alternatives for working with PDFs, such as: LibreOffice: Offers PDF editing features. PDFsam: Allows splitting, merging, and editing

PDFs. Foxit Reader: Provides basic PDF viewing and editing capabilities. How do I compress a PDF file? You can use online tools like Smallpdf, ILovePDF, or desktop software like Adobe Acrobat to compress PDF files without significant quality loss. Compression reduces the file size, making it easier to share and download. Can I fill out forms in a PDF file? Yes, most PDF viewers/editors like Adobe Acrobat, Preview (on Mac), or various online tools allow you to fill out forms in PDF files by selecting text fields and entering information. Are there any restrictions when working with PDFs? Some PDFs might have restrictions set by their creator, such as password protection, editing restrictions, or print restrictions. Breaking these restrictions might require specific software or tools, which may or may not be legal depending on the circumstances and local laws.

Find Avent Naturally Express Ii Manual :

[advanced methods for ultimate how to invest quick roth ira](#)

best strategies for side hustles step by step

[simple saving money tips ideas](#)

personal finance tips

[beginner tutorial for simple side hustles 2025](#)

advanced methods for simple debt payoff strategies guide

[advanced methods for retirement planning for beginners](#)

[complete guide to trending personal finance guide](#)

[beginner tutorial for easy budgeting methods for beginners](#)

[advanced methods for easy debt payoff strategies guide](#)

[advanced methods for trending how to invest for beginners](#)

[advanced methods for new personal finance 2025](#)

[beginner tutorial for how to personal finance](#)

[complete guide to why roth ira for beginners](#)

Avent Naturally Express Ii Manual :

[abriendo paso gramatica 1st edition solutions and answers](#) - Aug 19 2023

web find step by step solutions and answers to [abriendo paso gramatica 9780133237993](#) as well as thousands of textbooks so

you can move forward with confidence

abriendo paso gramatica prentice hall 9780838426067 - Nov 10 2022

web prentice hall abriendo paso gramatica answer key 1 1 downloaded from coe fsu edu on september 16 2023 by guest
download prentice hall abriendo paso gramatica

abriendo paso 2012 gramatica teachers audio cd by prentice - Apr 03 2022

web abriendo paso gramatica prentice hall answers 1 10 downloaded from uniport edu ng on june 6 2023 by guest abriendo
paso gramatica prentice hall answers thank you

abriendo paso gramatica tests script answer keys - Feb 13 2023

web jan 1 2007 abriendo paso gramatica teacher s edition gramatica tests tapescript and answer key spanish edition 2nd
edition spanish edition by jose m diaz

abriendo paso gramatica prentice hall answers pdf uniport edu - Mar 02 2022

web nov 25 2022 prentice hall abriendo paso gramatica answer key 2 7 downloaded from avenza dev avenza com on
november 25 2022 by guest place formerly occupied by the

prentice hall abriendo paso gramatica answer key florida - Oct 09 2022

web jun 8 2023 abriendo paso 2012 gramatica teachers audio cd 2011 03 abriendo paso c 2012 is a highly respected two
volume program specifically designed to

prentice hall abriendo paso gramatica - Mar 14 2023

web buy abriendo paso gramatica tests script answer keys 07 edition 9780131661325 by jose m diaz maria f nadel and
stephen j collins for up to 90 off at

abriendo paso gramatica prentice hall answers - Jul 06 2022

web introduction abriendo paso gramatica prentice hall answers pdf 2023 language and gender angela goddard 2015 10 28
this accessible textbook in the routledge

prentice hall abriendo paso gramatica answer key pdf - Feb 01 2022

web may 13 2023 prentice hall abriendo paso gramatica answer key 2 8 downloaded from uniport edu ng on may 13 2023
by guest bilingual grammar of english spanish syntax

abriendo paso gramatica prentice hall answers - Sep 08 2022

web mar 21 2023 pdf is additionally useful you have remained in right site to start getting this info get the prentice hall
abriendo paso gramatica answer key pdf belong to that

abriendo paso gramática díaz josé m free download - Jun 17 2023

web aug 17 2021 abriendo paso gramática pearson education inc prentice hall inc boxid ia40217211 camera sony alpha

a6300 control collection set printdisabled

abriendo paso gramatica prentice hall answers pdf 2023 - Jun 05 2022

web to teach the ap spanish language course our school uses *abriendo paso gramática prentice hall* and ap spanish preparing for the language exam manual 3rd edition

abriendo paso gramatica prentice hall answers pdf pdf red ortax - Oct 29 2021

abriendo paso gramatica softcover student editon 2007c - Apr 15 2023

web jun 20 2006 *abriendo paso gramatica softcover student editon 2007c* jose m diaz maria f nadel stephen j collins google books *abriendo paso* is a highly

[prentice hall *abriendo paso gramática y lectura* 2005](#) - May 16 2023

web prentice hall *abriendo paso gramática y lectura* 2005 en english deutsch français español português italiano român nederlands latina dansk svenska norsk

spanish language course pocono mountain school district - May 04 2022

web mar 20 2011 *abriendo paso 2012* is a highly respected two volume program specifically designed to address the needs of high school students in upper level study

[abriendo paso gramatica teacher s edition gramatica tests](#) - Jan 12 2023

web prentice hall *abriendo paso gramatica answer key 1 2* downloaded from epls fsu edu on september 2 2023 by guest ebooks prentice hall *abriendo*

abriendo paso gramatica digital edition 9780133237993 quizlet - Jul 18 2023

web find step by step solutions and answers to *abriendo paso gramatica digital edition 9780133237993* as well as thousands of textbooks so you can move forward with

[prentice hall *abriendo paso gramatica answer key uniport edu*](#) - Dec 31 2021

web jun 30 2023 *abriendo paso gramatica prentice hall answers 1 10* downloaded from uniport edu ng on june 30 2023 by guest *abriendo paso gramatica prentice hall*

[prentice hall *abriendo paso gramatica answer key pdf gccca*](#) - Aug 07 2022

web *abriendo paso gramatica softcover student editon 2007c oct 31 2022* *abriendo paso* is a highly respected two volume program is specifically designed to address the

abriendo paso gramatica prentice hall answers copy uniport edu - Nov 29 2021

web *abriendo paso gramatica prentice hall answers pdf pages 2 8* *abriendo paso gramatica prentice hall answers pdf* upload caliva d boyle 2 8 downloaded from

[prentice hall abriendo paso gramatica answer key florida](#) - Dec 11 2022

web abebooks com abriendo paso gramatica 9780838426067 by prentice hall and a great selection of similar new used and collectible books available now at great prices

la bd kaamelott tome 8 l antre du basilic on en a gros - May 30 2022

web jan 3 2018 résumé arthur et ses sujets de kaamelott pénètrent dans le mystérieux antre du basilic pour une de ces odysées souterraines périlleuses qui peuplent la

[kaamelott tome 8 l antre du basilic bd et humour rakuten](#) - Mar 28 2022

web jan 3 2018 kaamelott tome 8 l antre du basilic de plongez vous dans le livre alexandre astier au format album ajoutez le à votre liste de souhaits ou abonnez vous

[kaamelott tome 8 l antre du basilic de alexandre astier decitre](#) - Apr 28 2022

web oct 7 2018 kaamelott tome 8 l antre du basilic no ti ce établ ie par dec itr e li brai re format album 48 pages voir le descriptif 5 12 avis vous en avez un à vendre

kaamelott tome 8 l antre du basilic 2203063718 cultura - Nov 04 2022

web kaamelott tome 8 l antre du basilic aux éditions casterman arthur et ses sujets de kaamelott pénètrent dans le mystérieux antre du basilic pour une de ces odysées

kaamelott tome 8 l antre du basilic overdrive - Feb 07 2023

web jan 3 2018 arthur et ses sujets de kaamelott pénètrent dans le mystérieux antre du basilic pour une de ces odysées souterraines périlleuses qui peuplent la carrière des

[kaamelott tome 8 l antre du basilic fnac](#) - Jul 12 2023

web kaamelott 8 l antre du basilic alexandre astier writer steven dupré contributor 4 10 133 ratings5 reviews arthur et ses sujets de kaamelott pénètrent dans le

kaamelott tome 8 l antre du basilic cultura - Oct 03 2022

web kaamelott tome 8 l antre du basilic aux éditions casterman arthur et ses sujets de kaamelott pénètrent dans le mystérieux antre du basilic pour une de ces odysées

[l antre du basilic kaamelott 8 by alexandre astier goodreads](#) - Jun 11 2023

web relié 14 50 10 d occasion à partir de 10 88 15 neuf à partir de 9 42 arthur et ses sujets de kaamelott pénètrent dans le mystérieux antre du basilic pour une de ces

l antre du basilic dupré steven astier alexandre - May 10 2023

web arthur et ses sujets de kaamelott pénètrent dans le mystérieux antre du basilic pour une de ces odysées souterraines périlleuses qui peuplent la carrière des aventuriers en

[kaamelott tome 8 l antre du basilic apple books](#) - Jan 06 2023

web kaamelott tome 8 l antre du basilic 31 notes 14 commentaires 5 extraits auteur alexandre astier Écrivain steven dupré Écrivain achat neuf 14 50 amazon 14 50

kaamelott tome 8 l antre du basilic le bibliocosme - Nov 23 2021

kaamelott tome 8 l antre du basilic alexandre astier livres - Feb 24 2022

web synopsis arthur et ses sujets de kaamelott pénètrent dans le mystérieux antre du basilic pour une de ces odysées souterraines périlleuses qui peuplent la carrière des

kaamelott 8 l antre du basilic bedetheque - Aug 13 2023

web jan 3 2018 kaamelott tome 8 l antre du basilic steven dupré alexandre astier casterman des milliers de livres avec la livraison chez vous en 1 jour ou en magasin

kaamelott tome 8 l antre du basilic store kaamelott - Jan 26 2022

web jan 16 2018 téléchargement gratuit de bandes dessinées kaamelott tome 8 l antre du basilic 2018 disponible en pdf epub et kindle lisez écrivez des critiques et

kaamelott tome 8 l antre du basilic hardcover amazon - Sep 14 2023

web hello sign in account lists returns orders cart

kaamelott tome 8 l antre du basilic de alexandre astier decitre - Jun 30 2022

web l antre du basilic est le huitième tome de la bande dessinée kaamelott sa sortie était prévue le 24 mars 2014 découvrez l univers des fans astier co l auberge des deux

critiques de kaamelott tome 8 l antre du basilic babelio - Mar 08 2023

web jan 3 2018 arthur et ses sujets de kaamelott pénètrent dans le mystérieux antre du basilic pour une de ces odysées souterraines périlleuses qui peuplent la carrière des

kaamelott tome 8 l antre du basilic babelio - Oct 15 2023

web oct 26 2016 arthur et ses sujets de kaamelott pénètrent dans le mystérieux antre du basilic pour une de ces odysées souterraines périlleuses qui peuplent la carrière des

kaamelott tome 8 l antre du basilic bubble bd comics et - Aug 01 2022

web jan 3 2018 kaamelott tome 8 album l antre du basilic alexandre astier steven dupré picksel coloriste note moyenne donner le premier avis extrait arthur et ses

kaamelott tome 8 l antre du basilic livre de alexandre astier - Dec 05 2022

web kaamelott tome 8 l antre du basilic aux éditions casterman arthur et ses sujets de kaamelott pénètrent dans le

mystérieux antre du basilic pour une de ces odyssees

kaamelott tome 8 l antre du basilic 2018 bookys ebooks - Dec 25 2021

web jan 15 2018 kaamelott tome 8 l antre du basilic 15 janvier 2018 titre l antre du basilic cycle série kaamelott tome 8 scénariste alexandre astier dessinateur

kaamelott tome 8 l antre du basilic google books - Apr 09 2023

web jan 6 2018 entre ces deux dates il y a eu un certain nombre de 18 critiques sur ce livre 2004 les premiers épisodes de la série télévisée kaamelott sortent sur m6 2013 le 7e

kaamelott tome 8 l antre du basilic 9782203165342 cultura - Sep 02 2022

web arthur et ses sujets de kaamelott pénètrent dans le mystérieux antre du basilic pour une de ces odyssees souterraines périlleuses qui peuplent la carrière des aventuriers en

every women s champion of the women s evolution wwe - Apr 10 2023

web 1 day ago wins the evolution battle royal 4 sole survivor at survivor series 3 2023 return 2 eliminates mustafa ali from royal rumble match 1 beats alexa bliss to

created womens wrestler universe mode wwe 2k22 womens - May 19 2021

wwe evolution the history of the women s revolution - Jul 13 2023

web mar 1 2021 on july 13 2015 stephanie mcmahon introduced charlotte flair becky lynch and sasha banks starting the women s evolution in wwe look back at every

every women s champion of the women s evolution wwe - Mar 29 2022

web jun 8 2015 one thing you can count on from nxt is the women being an integral part of the program and having some of the greatest matches however unlike beyonce they

wwe women s evolution wrestling tv tropes - Jan 07 2023

web jul 13 2020 wwe celebrates women s evolution week five years ago on july 13 becky lynch charlotte flair and sasha banks arrived to raw signaling a change for

firsts of the women s evolution wwe playlist youtube - Jul 21 2021

the curious case of wwe s dying women s evolution - Jun 19 2021

wwe emotional becky lynch finally wins nxt women s - Sep 22 2021

web sep 11 2023 the book is engaging playful erudite discursive and rich with detail it traces the history of women s

defining features to their origins a series of eves as

the women s evolution continues to shape the future - Nov 05 2022

web see photos of these wwe superstars at the start of the women s evolution in 2015 to now in 2020

who is the most influential figure in the women s evolution - Feb 08 2023

web wwe evolution was a women s professional wrestling pay per view ppv and livestreaming event produced by wwe it was held for wrestlers from the promotion s

wwe evolution 2018 wwe - Jan 27 2022

web the women s division for the next 14 months would largely revolve around ronda rousey and charlotte flair but what wwe wasn t counting on was the emergence of the man

wwe should celebrate the women s evolution by taking - Nov 24 2021

web oct 13 2021 the curious case of wwe s dying women s evolution february 2015 paige and emma vs the bella twins after just a few moments brie bella scored a

wwe evolution wikipedia - Sep 03 2022

web on july 13 2015 stephanie mcmahon introduced charlotte flair becky lynch and sasha banks starting the women s evolution in wwe look back at every supers

wwe evolution wwe - Aug 14 2023

in 1983 the fabulous moolah who was the nwa world women s champion and legal owner of the title joined the wwf and sold them the rights to the title after they disaffiliated from the national wrestling alliance nwa and recognized her as the first wwf women s champion additionally the wwf also recognized moolah as having been champion ever since first winning the title f

photos defining images of the women s revolution in wwe - Mar 09 2023

web apr 10 2018 with del ray s expertise and triple h s support banks alongside flair becky lynch and bayley delivered show stopping performances that would earn them

[wwe women s evolution 4 by dennis hopeless goodreads](#) - Apr 29 2022

web jul 19 2020 other than nikki cross right now they are on sasha banks and bayley in fact by the end of the weekend banks and bayley could have three of the four main

evaluating the evolution of the four horsewomen wrestling - Oct 24 2021

web wew womens evolution wrestling week 4 wew is an all women s wrestling show using only created wrestlers universe mode like subscribe and follow my social

wwe women s evolution simon schuster - Dec 26 2021

web firsts of the women s evolution wwe playlist wwe 92 6m subscribers subscribe 40k 4 9m views 2 years ago relive the historic firsts of the women s evolution from the first

[wwe celebrates women s evolution week wwe](#) - Aug 02 2022

web sep 11 2023 rhodes had a hot months spanning feud with brock lesnar that helped him get back on track to the undisputed wwe universal championship the usos are hotter

women s division evolution of women s wrestling in wwe - May 11 2023

web wwe women s evolution these four women changed the wwe women s division forever from l r sasha banks becky lynch charlotte flair bayley the wwe

[raw sept 11 2023 wwe](#) - Jul 01 2022

web aug 18 2018 in the groundbreaking wwe evolution pay per view raw women s champion ronda rousey overcame nikki bella smackdown women s champion

what went wrong with the wwe women s evolution - Aug 22 2021

[putting women at the center of human evolution](#) - Apr 17 2021

ranking wwe s top 10 mvps for men s and women s divisions - Feb 25 2022

web 2 days ago comment alistair mcgeorge wednesday 13 sep 2023 10 11 am becky lynch beat tiffany stratton to finally win the nxt women s title picture wwe becky lynch

women s evolution superstars then now photos wwe - May 31 2022

web this volume of the hit series focuses on the wwe women s evolution and the groundbreaking female superstars who have taken the wrestling world by storm sasha

[women in wwe wikipedia](#) - Jun 12 2023

web after months of bubbling below the surface of the wwe universe the women s revolution appeared to start in earnest with the debuts of charlotte becky lynch and sasha banks

wwe women s revolution how it started and where it s headed - Oct 04 2022

web dec 19 2018 36 ratings5 reviews this volume of the hit series focuses on the wwe women s evolution and the groundbreaking female superstars who have taken the

this is what nia jax has in store for you now that she s back in - Dec 06 2022

web sep 11 2023 raw results sept 11 2023 nia jax makes a stunning return to attack rhea ripley and raquel rodriguez before a winner could be determined in the women s

