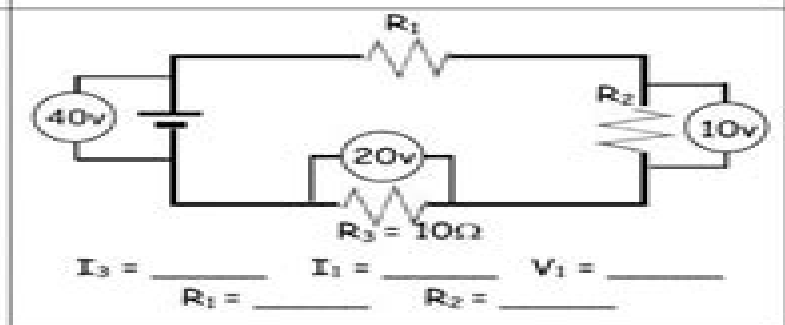
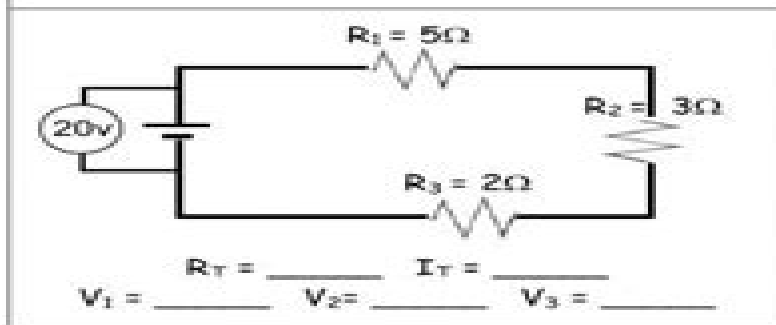
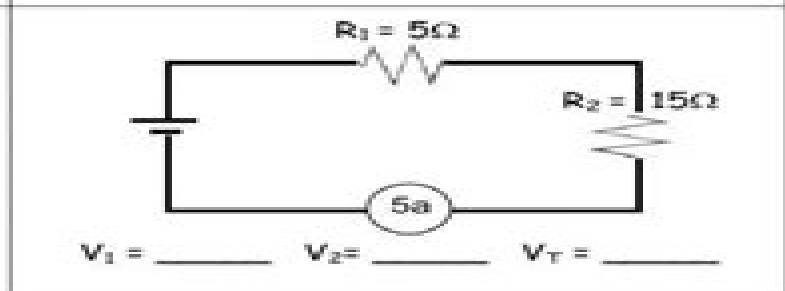
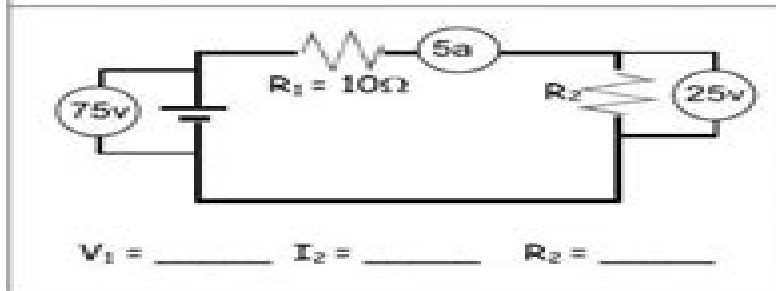
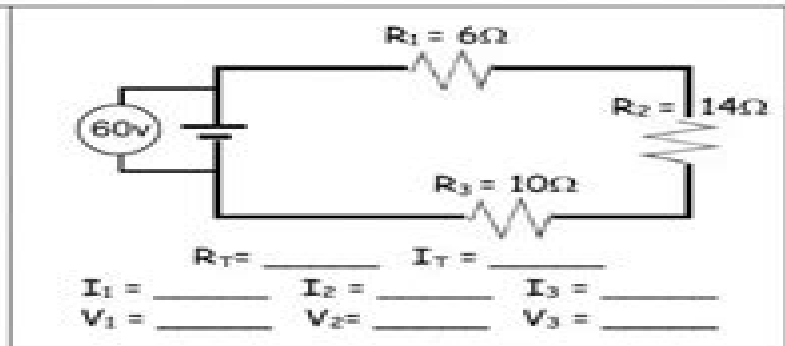
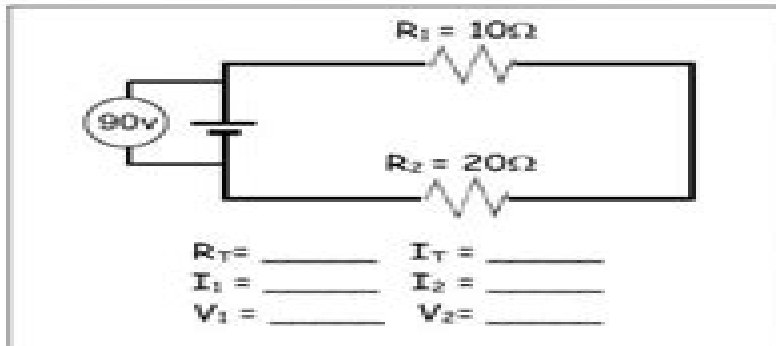


Remember that in a series circuit:

- the **current** in every part of the circuit (is the same, adds up).
- the **voltage** supplied by the battery is the \_\_\_\_\_ voltage of the circuit, and the voltage drops across each resistor (is the same, adds up to) the total voltage.
- to calculate total resistance, (add, use reciprocals).



# Circuits And Circuit Elements Problem

**ML Yell**



## **Circuits And Circuit Elements Problem:**

Electronic Components & Technology, 2nd Edition S. J. Sangwine, 1994-06-30 Since its inception the Tutorial Guides in Electronic Engineering series has met with great success among both instructors and students Designed for first and second year undergraduate courses each text provides a concise list of objectives at the beginning of every chapter key definitions and formulas highlighted in margin notes and references to other texts in the series Electronic Components and Technology begins with an introduction to electronic interconnection technology followed by a concise study of integrated circuits their fabrication packaging and handling The next two chapters look at various components including power supplies resistors capacitors and inductors The author devotes considerable attention to parasitic electrical effects including the non ideal properties of passive components heat and its management and parasitic electromagnetic effects He also emphasizes good engineering practice in relation to reliability and maintainability two important aspects of design often overlooked by circuit designers and includes a chapter on safety This volume not only builds a solid foundation in properties behavior and use of electronic components but also opens students eyes to the practical problems encountered in electronics engineering practice DDC Retrieval and Indexing Terminology Defense Documentation Center (U.S.), 1975

**Practical Electrical Engineering** Sergey N. Makarov, Reinhold Ludwig, Stephen J. Bitar, 2016-06-27 This textbook provides comprehensive in depth coverage of the fundamental concepts of electrical engineering It is written from an engineering perspective with special emphasis on circuit functionality and applications Reliance on higher level mathematics and physics or theoretical proofs has been intentionally limited in order to prioritize the practical aspects of electrical engineering This text is therefore suitable for a number of introductory circuit courses for other majors such as mechanical biomedical aerospace civil architecture petroleum and industrial engineering The authors primary goal is to teach the aspiring engineering student all fundamental tools needed to understand analyze and design a wide range of practical circuits and systems Their secondary goal is to provide a comprehensive reference for both major and non major students as well as practicing engineers

**Electric Circuit Theory and the Operational Calculus** John Renshaw Carson, 1926 **Scientific and Technical Aerospace Reports**, 1985 **Proceedings of the IRE.**, 1928 Proceedings of the Institute of Radio Engineers Institute of Radio Engineers, 1928 **Schaum's Outline of Theory and Problems of Electronics Technology** Milton Kaufman, J. A. Wilson, 1982 **Transactions of the American Institute of Electrical Engineers** American Institute of Electrical Engineers, 1923 List of members in v 7 15 17 19 20 **Journal of the American Institute of Electrical Engineers**, 1923 Includes preprints of Transactions of the American Institute of Electrical Engineers ISSN 0096 3860 **Proceedings of the American Institute of Electrical Engineers**, 1925 Vols for 1887 1946 include the preprint pages of the institute s Transactions **General Catalogue** Massachusetts Institute of Technology, 1928 The Electrical Engineer, 1907 JJAP, 2006 Technical Information Pilot, 1949 Radio Engineering, 1928 Western Aerospace, 1959 **U.S.**

**Government Research & Development Reports** ,1970      **Handbook of Occupational Groups and Series** ,1990  
IEEE Region 6 Conference Record Institute of Electrical and Electronics Engineers. Region 6,1966

Eventually, you will unquestionably discover a extra experience and talent by spending more cash. yet when? complete you consent that you require to acquire those all needs later than having significantly cash? Why dont you attempt to get something basic in the beginning? Thats something that will lead you to understand even more as regards the globe, experience, some places, in the same way as history, amusement, and a lot more?

It is your no question own mature to law reviewing habit. among guides you could enjoy now is **Circuits And Circuit Elements Problem** below.

<https://yousky7.com/results/virtual-library/index.jsp/bksb%20tutor%20guide%20english%20maths%20vle.pdf>

## **Table of Contents Circuits And Circuit Elements Problem**

1. Understanding the eBook Circuits And Circuit Elements Problem
  - The Rise of Digital Reading Circuits And Circuit Elements Problem
  - Advantages of eBooks Over Traditional Books
2. Identifying Circuits And Circuit Elements Problem
  - Exploring Different Genres
  - Considering Fiction vs. Non-Fiction
  - Determining Your Reading Goals
3. Choosing the Right eBook Platform
  - Popular eBook Platforms
  - Features to Look for in an Circuits And Circuit Elements Problem
  - User-Friendly Interface
4. Exploring eBook Recommendations from Circuits And Circuit Elements Problem
  - Personalized Recommendations
  - Circuits And Circuit Elements Problem User Reviews and Ratings
  - Circuits And Circuit Elements Problem and Bestseller Lists
5. Accessing Circuits And Circuit Elements Problem Free and Paid eBooks

- Circuits And Circuit Elements Problem Public Domain eBooks
  - Circuits And Circuit Elements Problem eBook Subscription Services
  - Circuits And Circuit Elements Problem Budget-Friendly Options
6. Navigating Circuits And Circuit Elements Problem eBook Formats
    - ePub, PDF, MOBI, and More
    - Circuits And Circuit Elements Problem Compatibility with Devices
    - Circuits And Circuit Elements Problem Enhanced eBook Features
  7. Enhancing Your Reading Experience
    - Adjustable Fonts and Text Sizes of Circuits And Circuit Elements Problem
    - Highlighting and Note-Taking Circuits And Circuit Elements Problem
    - Interactive Elements Circuits And Circuit Elements Problem
  8. Staying Engaged with Circuits And Circuit Elements Problem
    - Joining Online Reading Communities
    - Participating in Virtual Book Clubs
    - Following Authors and Publishers Circuits And Circuit Elements Problem
  9. Balancing eBooks and Physical Books Circuits And Circuit Elements Problem
    - Benefits of a Digital Library
    - Creating a Diverse Reading Collection Circuits And Circuit Elements Problem
  10. Overcoming Reading Challenges
    - Dealing with Digital Eye Strain
    - Minimizing Distractions
    - Managing Screen Time
  11. Cultivating a Reading Routine Circuits And Circuit Elements Problem
    - Setting Reading Goals Circuits And Circuit Elements Problem
    - Carving Out Dedicated Reading Time
  12. Sourcing Reliable Information of Circuits And Circuit Elements Problem
    - Fact-Checking eBook Content of Circuits And Circuit Elements Problem
    - Distinguishing Credible Sources
  13. Promoting Lifelong Learning
    - Utilizing eBooks for Skill Development

- Exploring Educational eBooks
14. Embracing eBook Trends
- Integration of Multimedia Elements
  - Interactive and Gamified eBooks

### **Circuits And Circuit Elements Problem Introduction**

In this digital age, the convenience of accessing information at our fingertips has become a necessity. Whether its research papers, eBooks, or user manuals, PDF files have become the preferred format for sharing and reading documents. However, the cost associated with purchasing PDF files can sometimes be a barrier for many individuals and organizations. Thankfully, there are numerous websites and platforms that allow users to download free PDF files legally. In this article, we will explore some of the best platforms to download free PDFs. One of the most popular platforms to download free PDF files is Project Gutenberg. This online library offers over 60,000 free eBooks that are in the public domain. From classic literature to historical documents, Project Gutenberg provides a wide range of PDF files that can be downloaded and enjoyed on various devices. The website is user-friendly and allows users to search for specific titles or browse through different categories. Another reliable platform for downloading Circuits And Circuit Elements Problem free PDF files is Open Library. With its vast collection of over 1 million eBooks, Open Library has something for every reader. The website offers a seamless experience by providing options to borrow or download PDF files. Users simply need to create a free account to access this treasure trove of knowledge. Open Library also allows users to contribute by uploading and sharing their own PDF files, making it a collaborative platform for book enthusiasts. For those interested in academic resources, there are websites dedicated to providing free PDFs of research papers and scientific articles. One such website is Academia.edu, which allows researchers and scholars to share their work with a global audience. Users can download PDF files of research papers, theses, and dissertations covering a wide range of subjects. Academia.edu also provides a platform for discussions and networking within the academic community. When it comes to downloading Circuits And Circuit Elements Problem free PDF files of magazines, brochures, and catalogs, Issuu is a popular choice. This digital publishing platform hosts a vast collection of publications from around the world. Users can search for specific titles or explore various categories and genres. Issuu offers a seamless reading experience with its user-friendly interface and allows users to download PDF files for offline reading. Apart from dedicated platforms, search engines also play a crucial role in finding free PDF files. Google, for instance, has an advanced search feature that allows users to filter results by file type. By specifying the file type as "PDF," users can find websites that offer free PDF downloads on a specific topic. While downloading Circuits And Circuit Elements Problem free PDF files is convenient, its important to note that copyright laws must be respected. Always ensure that the PDF files you download are

legally available for free. Many authors and publishers voluntarily provide free PDF versions of their work, but its essential to be cautious and verify the authenticity of the source before downloading Circuits And Circuit Elements Problem. In conclusion, the internet offers numerous platforms and websites that allow users to download free PDF files legally. Whether its classic literature, research papers, or magazines, there is something for everyone. The platforms mentioned in this article, such as Project Gutenberg, Open Library, Academia.edu, and Issuu, provide access to a vast collection of PDF files. However, users should always be cautious and verify the legality of the source before downloading Circuits And Circuit Elements Problem any PDF files. With these platforms, the world of PDF downloads is just a click away.

### **FAQs About Circuits And Circuit Elements Problem Books**

1. Where can I buy Circuits And Circuit Elements Problem books? Bookstores: Physical bookstores like Barnes & Noble, Waterstones, and independent local stores. Online Retailers: Amazon, Book Depository, and various online bookstores offer a wide range of books in physical and digital formats.
2. What are the different book formats available? Hardcover: Sturdy and durable, usually more expensive. Paperback: Cheaper, lighter, and more portable than hardcovers. E-books: Digital books available for e-readers like Kindle or software like Apple Books, Kindle, and Google Play Books.
3. How do I choose a Circuits And Circuit Elements Problem book to read? Genres: Consider the genre you enjoy (fiction, non-fiction, mystery, sci-fi, etc.). Recommendations: Ask friends, join book clubs, or explore online reviews and recommendations. Author: If you like a particular author, you might enjoy more of their work.
4. How do I take care of Circuits And Circuit Elements Problem books? Storage: Keep them away from direct sunlight and in a dry environment. Handling: Avoid folding pages, use bookmarks, and handle them with clean hands. Cleaning: Gently dust the covers and pages occasionally.
5. Can I borrow books without buying them? Public Libraries: Local libraries offer a wide range of books for borrowing. Book Swaps: Community book exchanges or online platforms where people exchange books.
6. How can I track my reading progress or manage my book collection? Book Tracking Apps: Goodreads, LibraryThing, and Book Catalogue are popular apps for tracking your reading progress and managing book collections. Spreadsheets: You can create your own spreadsheet to track books read, ratings, and other details.
7. What are Circuits And Circuit Elements Problem audiobooks, and where can I find them? Audiobooks: Audio recordings of books, perfect for listening while commuting or multitasking. Platforms: Audible, LibriVox, and Google Play Books



- offer a wide selection of audiobooks.
8. How do I support authors or the book industry? Buy Books: Purchase books from authors or independent bookstores. Reviews: Leave reviews on platforms like Goodreads or Amazon. Promotion: Share your favorite books on social media or recommend them to friends.
  9. Are there book clubs or reading communities I can join? Local Clubs: Check for local book clubs in libraries or community centers. Online Communities: Platforms like Goodreads have virtual book clubs and discussion groups.
  10. Can I read Circuits And Circuit Elements Problem books for free? Public Domain Books: Many classic books are available for free as they're in the public domain. Free E-books: Some websites offer free e-books legally, like Project Gutenberg or Open Library.

### Find Circuits And Circuit Elements Problem :

*bksb tutor guide english maths vle*

*bissell proheat 25a3 manual*

*blackberry express 5 installation guide*

**blackberry chicken recipe**

*black powder guide shooters bible*

*blackanddecker ec900 owners manual*

**blackberry 9000 manual**

*blackanddecker t1400 owners manual*

**bizhub c22user guide**

*bizhub c353 security function*

**blackberry manual sync contacts**

*black swan the twelve lessons of abandonment recovery*

*black seal license study guide*

*blackberry 4g torch 9810 manual*

**blackanddecker cfv1200 vacuums owners manual**

### Circuits And Circuit Elements Problem :

*medical records release authorization form waiver hipaa - Feb 28 2023*

web sep 13 2023 the medical record information release hipaa form allows patients to give authorization to a 3rd party and access their health records it also allows the added option for healthcare providers to share information

**medical records request jotform** - Jan 30 2023

web medical records request please complete the form below to submit a medical record request who is requesting medical records attorney or legal professional insurance company auditor disability insurance company

**free medical records release hipaa form pdf word** - Feb 16 2022

web jul 27 2023 medical records release authorization hipaa form use our medical records release authorization form to allow the release of your medical information to yourself or anyone else who may need it

**medical records request template sample form online** - Jun 03 2023

web 1 patient information name address ssn date of birth 2 authorization for release i hereby authorize the following individual at the following address to release disclose and deliver the medical information described below to

medical records request template word pdf wonder legal - Oct 07 2023

web aug 2 2023 this medical records request document is used by a patient to request that a healthcare provider who has treated them release their medical records to a specific recipient medical records contain sensitive and personal information and are considered protected and confidential

*how to request your medical records ahima* - Jun 22 2022

web complete an authorization form to request your records start by contacting or visiting your provider s health information management him department sometimes called the medical records or health information services department smaller doctor s offices may not have an him department so ask to speak to the administrative staff in

**medical records what s in them and how to request them verywell health** - Mar 20 2022

web may 11 2023 verywell joshua seong what information does a medical record contain a medical record is a written account of a person s health history today most medical records are kept and shared electronically although some providers will maintain paper records your medical records may include

customizable request for medical records form template - Aug 25 2022

web this easily customizable form template from wpforms includes all of the fields questions and consents needed to process medical records requests online features pricing

how to fill out a health or medical record release form - Apr 20 2022

web written by jennifer updated over a week ago your provider s medical request release form may be organized differently there is not a standard form but these are the questions you re likely to see patient information whose health records do you want

### **authorization for release of medical records** - May 02 2023

web to request release of medical information please complete and sign this form i hereby voluntarily authorize the disclosure of information from my health record name of patient patient information patient name record number

### **500 free medical forms templates jotform** - Apr 01 2023

web need to register new patients record medical history or collect bill payments online speed up your medical institution s workflow with free medical forms

### **download medical records request form for free formtemplate** - Nov 27 2022

web the medical records request form is a pretty detailed and comprehensive template the heading of this template is the necessary information of the patient then there is the concrete content that is required and the statement of acquiring the medical records

### **medical record forms mayo clinic health system** - Sep 25 2022

web the authorization to release protected health information to a third party form is used to authorize the release of health information for insurance employment legal or corporate health purposes it s used by patients to transfer records from another health care facility to mayo clinic health system arabic □□□□□□□□ □□□□□□□□

### **free medical records release authorization forms pdf** - Dec 29 2022

web choosing the best type of hipaa form is important to authorize an individual medical professional billing office or insurance representative to release or view medical records patients should consider the recipient and the information required when selecting a

### **free medical form templates smartsheet** - Aug 05 2023

web jan 18 2019 what is a medical form track and automate medical forms with smartsheet for healthcare medical progress template download medical progress template excel word pdf smartsheet use this template to document track and compare medical progress notes for each patient with this complete medical progress

### **the complete guide to request your medical records** - May 22 2022

web may 12 2017 the complete guide to request your medical records medicalrecords com 5 the complete guide to request your medical records get your medical records 1 complete a simple secure form 2 we contact healthcare providers on your behalf 3 have a national medical records center send your records as directed

### **medical records request form download free documents for** - Sep 06 2023

web download medical records request form for free page includes various formats of medical records request form for pdf word and excel

### **blank request for medical records form fill download for** - Jul 24 2022

web follow these steps to get your blank request for medical records form edited with the smooth experience click the get form button on this page you will be forwarded to our pdf editor try to edit your document like adding text inserting images and other tools in

**medical record authorization form instructions sutter health** - Oct 27 2022

web must be in effect at time of requesting records o death certificate o executor of the estate for deceased patients only o power of attorney must include a provision that allows medical decision making and or release of medical records o power of attorney for health care must include a provision that allows release of medical records

**medical records request form pdfiller** - Jul 04 2023

web the aim of the medical records request blank is to apply for a copy of the treatment history of the patient from health centers or other institutions where he or she was treated this is essential in the case of relocation or having an appointment with other doctors who need to learn the patient s treatment history

chemical composition of cereals and their products springer - Oct 04 2022

web jun 21 2012 the chemical composition of the cereals varies widely and depends on the environmental conditions soil variety and fertiliser in their natural form as whole grains

*grain structure and grain chemical composition sciencedirect* - Aug 02 2022

web jan 1 2017 abstract the grass like morphology of cereal plants groups them together taxonomically nevertheless their grains come in a wide range of shapes and sizes this

*cereal structure and composition university of sydney* - Jul 13 2023

web cereals are cultivated grasses that are grown throughout the world as well as providing food for man they or fractions derived from processing them make an important

**the structure of cereal grains and their products** - Dec 06 2022

web cereal grain science is the study of the composition structure and properties of cereals and the reactions or transformations they undergo cereals are plants such as wheat

**the structure of cereal grains and their products** - Apr 10 2023

web may 7 2021 the structure of cereal products such as muesli and porridge just before their consumption is composed of rolled whole grains or grain fragments in a continuous

**structure and composition of cereal grains and legumes** - May 31 2022

web jan 1 2010 the cereal species show considerable diversity in the size and shape morphology of their plants of the grain bearing structures and of the grains

what is cereal grain science cereals grains association - Nov 05 2022

web cereal grains contain starch and protein as the major components and lipid non starch carbohydrates phytic acid vitamins and minerals as the minor components

**cereal grain morphology and composition sciencedirect** - Apr 29 2022

web nov 1 2002 abstract the grains of cultivated grasses that are conventionally described as cereals share many structural and developmental features at the same time they are

*cereal structure and composition university of sydney* - Sep 22 2021

*cereals importance and composition ifis* - Sep 03 2022

web jan 1 2019 sorghum and millets like all cereal grains are composed of three major anatomical parts pericarp bran germ and endosperm which differ in their chemical

**frontiers the impact of cereal grain composition on the health** - Nov 24 2021

web 2 days ago the israel defense forces or idf is the combined armed forces of israel including the army navy and air force it was established in 1948 two weeks after israel

**cereal grain structure and development some implications for** - Mar 29 2022

web jan 1 1999 cereals are cultivated grasses that are grown throughout the world as well as providing food for man they or fractions derived from processing them make an

**idf a visual explainer on the israeli defense forces or idf** - Oct 24 2021

web advanced search simple search browse all of ses repository collections titles authors publication year subjects

*csiro publishing crop and pasture science* - Jan 07 2023

web the structure of cereal products such as muesli and porridge just before their consumption is composed of rolled whole grains or grain fragments in a continuous

**cereal structure and composition** - Aug 14 2023

web cereal structure and composition a d eversa a b blakeney b and l o brienc aascus ltd talybont albert street markyate herts al3 8hy uk bcereal solutions po box

*cereal seed storage proteins structures properties and role in* - Dec 26 2021

web may 25 2022 structure and composition of grains four different parts are present in cereal grains bran endosperm germ and aleurone layer

the structure of cereal grains and their products - Mar 09 2023

web in this chapter we deal with the structures of the most important cereals used for food and or feed purposes i e wheat maize and rice as well as with those of barley rye

**cereal grain morphology and composition sciencedirect** - Jul 01 2022

web jan 22 2003 the structure of cereal products such as muesli and porridge just before their consumption is composed of rolled whole grains or grain fragments in a continuous

**structural physical and engineering properties of cereal grains** - May 11 2023

web may 7 2021 cereal grains composition nutritional attributes and potential applications provides an overview of cereals including their properties chemical composition

**pdf cereal structure and composition semantic scholar** - Sep 15 2023

web variations in soil moisture and nutrient availability ambient temperature and atmospheric composition were all shown to affect starch functionality and genotypic variation appears to be a primary contributor for the response of cereal starches to environmental stress

lesson 1 introduction to cereal grains legumes - Jan 27 2022

web apr 15 2002 the combination of cereals and legume seeds is particularly favoured as these two types of seeds are essentially complementary in their compositions of

**chapter 1 structure of cereals cereals grains association** - Feb 08 2023

web cereal structure and composition a d evers l o brien and a b blakeney australian journal of agricultural research 50 5 629 650 published 1999 abstract cereals are

**chemical composition of cereals and their products** - Jun 12 2023

web jan 1 2022 the aim of this chapter has been to provide a discussion of the fundamentals of various aspects of grain kernels including their structural architecture and

**cereal structure and composition bibsonomy** - Feb 25 2022

web lesson 1 introduction to cereal grains legumes a quiz 1 28 february 6 march 7 march 13 march 14 march 20 march 21 march 27 march 28 march 3

**how to write a request letter for bank guarantee amendment** - Feb 28 2022

web jul 19 2021 learn how to draft an application to the bank manager for amendment or extension of bank guarantee check out other templates at lettersformats com 2021 0 lettersformats com

*request letter for extension or amendment of bank guarantee* - May 14 2023

web request letter for extension amendment of bank guarantee on company letter head date to the manager yes bank ltd branch address i we hereby request you to extend amend on my our behalf and for my our account a bank guarantee as per the following conditions bank guarantee ref no

*letter of guarantee how and when to use a letter of guarantee* - Feb 11 2023

web mar 17 2020 issuing process for a letter of guarantee a company may request a letter of guarantee from the bank when a supplier asks for one or is uncertain of the company s ability to pay for goods supplied a bank follows the following process when issuing the guarantee letter 1 examining and issuing a letter of guarantee

**request letter for amendment of domestic bank guarantee bandhan bank** - Dec 29 2021

web request letter for amendment of domestic bank guarantee to the branch head bandhan bank limited branch date bank guarantee bg number amount name of

**request letter to bank format with 5 samples** - Apr 01 2022

web a request letter to a bank should be concise clear and professional here are the essential elements that should be included in a request letter to a bank date the date when the letter is being written should be mentioned bank s address the address of the bank where the request is being sent should be mentioned

*sample letter of bank guaranty u s embassy* - Jul 16 2023

web the undersigned acting as the duly authorized representative of the bank declares that the bank hereby guarantees to make payment to the contracting officer by check made payable to the treasurer of the united states immediately upon notice after receipt of a simple written request

**request email to bank for guarantee renewal emails in english** - Jul 04 2022

web may 22 2022 by kshitij tarun respected sir madam this is to inform you that we are maintaining mention bank account number with your bank i am hereby writing this email to request for renewal of the bank guarantee the following are

idfc first request letter for issuance of bank guarantee v 1 - Dec 09 2022

web request you to issue bank guarantee bg as per detail below duly signed hard and soft copy of the format of bg is enclosed i bg favouring name address ii purpose of bg iii amount in in words iv validity of bank guarantee months days upto v claim period if any months days upto we hereby instruct you to

bank guarantee cancellation release request letter format - May 02 2022

web bank guarantee cancellation release request letter format subject back guarantee cancellation letter date recipient name bank name address dear recipient name

bank guarantee request letter pdf scribd - Jun 15 2023

web bank guarantee request letter request letter for issuing bank guarantee date to the branch manager icici bank ltd branch we hereby request you to issue bank guarantee as per format enclosed we request you to debit charges and or margin to our cash credit account current account no along with your

**bank guarantee letter templates at allbusinesstemplates com** - Apr 13 2023

web how to write a bank guarantee letter when you request a bank guarantee you refer to a letter that provides assurance

that a bank will cover any losses incurred by a customer in the event that they default on a contract

*19 guarantee letter templates word pdf format download* - Nov 08 2022

web 19 guarantee letter templates for new business owners or supplier companies you need a guarantee of payment before sending a request or release of a product and service you can apply for a personal or corporate loan at a bank or let the financial institution promise to meet a financial obligation to your supplier

*request letter to bank for bank guarantee letters in english* - Aug 17 2023

web november 26 2020 to the branch manager bank name branch address date date subject bank guarantee issuance

respected sir madam we request you to issue a bank guarantee in name of name

**bank guarantee renewal request letter format word pdf filler** - Jan 30 2022

web 01 individuals or businesses who have previously obtained a bank guarantee that is nearing its expiration date 02 those who wish to extend the validity of their bank guarantee to continue benefiting from its protection or meet ongoing contractual obligations

**bank guarantee meaning process format more drip capital** - Jan 10 2023

web nov 16 2021 bank guarantee formats format of request letter for issuance of bank guarantee format of bank guarantee cancellation letter format of bank guarantee for faithful performance of contract types of bank guarantee there are several types of bank guarantees you may apply for the one that best suits your requirements

**45 professional letter of guarantee samples templatelab** - Mar 12 2023

web 45 professional letter of guarantee samples there are times when customers especially those with good credit standings need to request a bank to provide assurance that they will fulfill their obligations of a contract they have entered into with a supplier they can make this request through a letter of guarantee

*personal banking netbanking services online icici bank* - Jun 03 2022

web we would like to show you a description here but the site won't allow us

**format of bank guarantee letter pdf filler** - Oct 07 2022

web bank guarantee request letter for issuing bank guarantee date to the branch manager icici bank ltd branch we hereby request you to issue bank guarantee as per format enclosed we request you to debit charges and or margin to our cash credit

**for office use request letter for issuing bank guarantee** - Aug 05 2022

web we hereby request you to issue bank guarantee as per format enclosed we request you to debit charges and or margin to our cash credit account current account no 120651000004 along with your charges the bank guarantee is to be issued against our limit of rs 15 million

35 sample guarantee letters in pdf ms word excel - Sep 06 2022



web 35 sample guarantee letters what is a guarantee letter where do you use a guarantee letter how to write a guarantee letter faqs is a guarantee letter the same as a letter of credit how do i obtain a guarantee letter from my bank can a bank guarantee be canceled can i get out of a personal guaranty