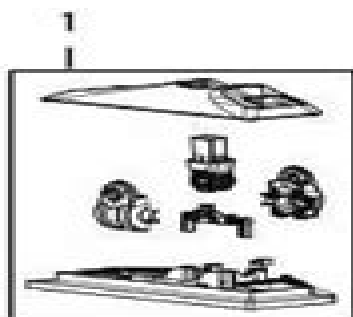
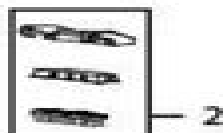
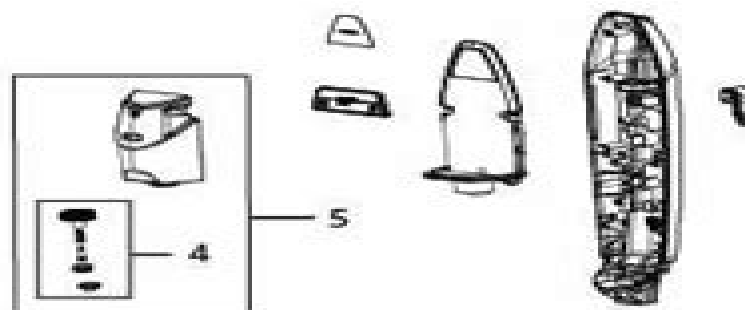
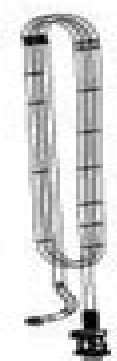
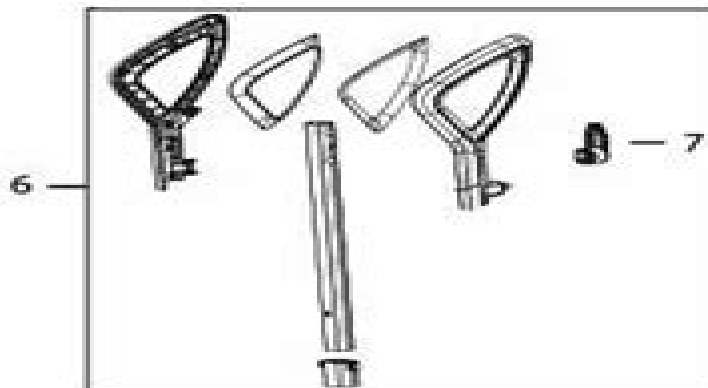


PowerFresh Steam Mop

1940 Series



Bissell Model 66e1c Steam Cleaner Instruction Manual

Antonio D Austin



Bissell Model 66e1c Steam Cleaner Instruction Manual:

Hoover PowerDash Pet Carpet Cleaner User's Manual Hoover Force,2019-05-09 Unofficial User Guide The Hoover PowerDash Complete Carpet Cleaner easily tackles pet messes and everyday stains It delivers 2X More Cleaning Power than the leading lightweight carpet cleaner Our new PowerSpin Pet Brush Roll provides a powerful clean for high traffic areas and small spaces and the antimicrobial protection keeps your brush roll safe from odor and bacteria The lightweight design makes it easy to use anywhere while the compact design makes storage a breeze Designed with HeatForce power to deliver faster drying for all your messes Our Dual Tank System keeps clean and dirty water separate plus its is easy to fill empty and rinse while the removable nozzle allows you to easily clean away all that dirt and grime The Low Profile Foot helps you easily reach and remove stains in tight places and under furniture for a more convenient cleaning experience Tackle pet messes and everyday stains with the new Hoover PowerDash Complete Carpet Cleaner *Bissell Cleanview Upright Bagless Vacuum Cleaner, Orange User's Manual* Bissell Innov,2019-05-09 Unofficial User Guide Unlike other vacuums that require you to go over the same floor area multiple times before they vacuum up all of the debris the BISSELL Cleanview upright vacuum is engineered with one pass technology that has powerful suction plus an innovative brush design to clean on the initial pass With a multi cyclonic system for lasting powerful suction plus a lightweight design that s easy to push and carry the BISSELL Cleanview is the perfect combination of form and function Multi level filtration with a washable filter helps reduce household dust and allergens Plus this easy to use vacuum is equipped with a large capacity bottom empty dirt bin for quick mess free emptying To clean those hard to reach areas The BISSELL Cleanview Includes specialized tools including a dusting brush crevice tool and Turbo brush tool that are perfect for cleaning furniture stairs upholstery and more Removes most surface debris based on visual test BTP0221 Bissell Cleanview Upright Bagless Vacuum Cleaner, Orange User's Manual Bissell Innov Fcm65,2019-05-23 Unofficial User Guide Unlike other vacuums that require you to go over the same floor area multiple times before they vacuum up all of the debris the BISSELL Cleanview upright vacuum is engineered with one pass technology that has powerful suction plus an innovative brush design to clean on the initial pass With a multi cyclonic system for lasting powerful suction plus a lightweight design that s easy to push and carry the BISSELL Cleanview is the perfect combination of form and function Multi level filtration with a washable filter helps reduce household dust and allergens Plus this easy to use vacuum is equipped with a large capacity bottom empty dirt bin for quick mess free emptying To clean those hard to reach areas The BISSELL Cleanview Includes specialized tools including a dusting brush crevice tool and Turbo brush tool that are perfect for cleaning furniture stairs upholstery and more Removes most surface debris based on visual test BTP0221 *Bissell Little Green Cleaner User Guide* Miles T Archer,2025-08-28 A Simple Guide to Your BISSELL Little Green Cleaner You got a BISSELL Little Green Cleaner to handle stains pet messes and spills But to get the most out of your machine you need to know how to use it right This guide walks you through every step helping you clean

better faster and with great results Inside you ll find Quick setup steps to get you cleaning in minutes Tips for tackling carpets upholstery stairs and car interiors Simple ways to maintain and store your cleaner so it lasts longer A guide for fixing problems as they happen Details on the essential replacement parts and accessories This isn t just a manual it s a helpful resource for anyone who owns a Little Green Cleaner It shows you how to use your machine to its full potential so you can handle messes and keep your home fresh without any trouble With this guide you can confidently clean up any mess

Disclaimer This guidebook is an independent publication created for educational purposes only It is not affiliated with endorsed by or sponsored by BISSELL R or any of its subsidiaries All trademarks remain the property of their respective owners

Kerrick H.R.O. Steam Cleaner ,195? [Instruction Booklet DC03](#) Dyson,1997 Instruction manual for a vacuum cleaner *Steam Cleaner User Guide* Antonio D Austin,2025-08-14 Steam Cleaner User Guide Smart Ways to Sanitize Your Home Without Chemicals Pro Tips for Sparkling Floors Unlock the full potential of your steam cleaner with the Steam Cleaner User Guide This comprehensive guide is your go to resource for mastering the art of steam cleaning providing practical step by step instructions for getting the most out of your steam cleaner Whether you re new to steam cleaning or a seasoned pro looking for expert tips this book offers everything you need to ensure your cleaning tasks are done quickly efficiently and without the use of harmful chemicals Inside you ll discover how steam cleaning works how to choose the right attachments for every job and how to effectively clean a wide range of surfaces from floors and upholstery to kitchen counters and bathroom tiles Learn the science behind steam its sanitizing power and how to make your cleaning routine faster with pro techniques designed for maximum efficiency With safety guidelines maintenance tips and solutions for troubleshooting common issues this guide covers all aspects of steam cleaning You ll also find eco friendly cleaning methods that will help reduce waste and create a healthier environment for you and your family Get ready to transform the way you clean Steam Cleaner User Guide is your trusted companion for sparkling floors fresh fabrics and a truly sanitized home

DISCLAIMER The information provided in Steam Cleaner User Guide is intended for general guidance and educational purposes only This book does not replace professional advice or services Readers are encouraged to consult relevant experts or professionals for specific concerns or troubleshooting beyond the scope of this guide

User Guide [DC07] Dyson, Instruction manual for a vacuum cleaner *The BISSELL Spinwave Cordless Pet Hard Floor Spin Mop Cleaner Mastery Guide* Alex P Bernard,2025-10-28 Tired of dull floors and frustrating cleaning routines Meet your new cleaning companion the BISSELL SpinWave Cordless Pet Hard Floor Spin Mop Cleaner But before you press that power button you deserve to know how to make this amazing tool work for you not against you The BISSELL SpinWave Cordless Pet Hard Floor Spin Mop Cleaner Mastery Guide is your complete real world manual for unlocking the full potential of this powerful yet simple cleaning machine Written with everyday users in mind not engineers this guide breaks down everything you need to clean faster smarter and with professional looking results every time Inside you ll discover Clear beginner friendly setup steps from

unboxing to your first cleaning session Smart pad and solution selection tips to protect every kind of sealed floor wood laminate tile vinyl and more Step by step cleaning techniques that save time while bringing out that natural shine Troubleshooting fixes for weak spray spinning issues or streaky results so you never get stuck mid clean Maintenance and care routines to keep your SpinWave running like new for years Expert advice for pet owners on removing paw prints pet hair and sticky spots effortlessly Whether you re new to the BISSELL SpinWave or looking to upgrade your cleaning game this guide gives you the confidence to take control no confusing jargon no wasted time just clear answers and practical help Your floors deserve better than just clean They deserve a lasting shine that makes every room feel fresh and new again

Cleaner 5 User Manual Terran Interactive, Inc. (Los Gatos, Calif.),2000

Unveiling the Magic of Words: A Review of "**Bissell Model 66e1c Steam Cleaner Instruction Manual**"

In a world defined by information and interconnectivity, the enchanting power of words has acquired unparalleled significance. Their power to kindle emotions, provoke contemplation, and ignite transformative change is actually awe-inspiring. Enter the realm of "**Bissell Model 66e1c Steam Cleaner Instruction Manual**," a mesmerizing literary masterpiece penned by a distinguished author, guiding readers on a profound journey to unravel the secrets and potential hidden within every word. In this critique, we shall delve to the book is central themes, examine its distinctive writing style, and assess its profound affect the souls of its readers.

https://yousky7.com/book/uploaded-files/default.aspx/Best_Strategies_For_New_Book_Title_Generator_Tips.pdf

Table of Contents Bissell Model 66e1c Steam Cleaner Instruction Manual

1. Understanding the eBook Bissell Model 66e1c Steam Cleaner Instruction Manual
 - The Rise of Digital Reading Bissell Model 66e1c Steam Cleaner Instruction Manual
 - Advantages of eBooks Over Traditional Books
2. Identifying Bissell Model 66e1c Steam Cleaner Instruction Manual
 - Exploring Different Genres
 - Considering Fiction vs. Non-Fiction
 - Determining Your Reading Goals
3. Choosing the Right eBook Platform
 - Popular eBook Platforms
 - Features to Look for in an Bissell Model 66e1c Steam Cleaner Instruction Manual
 - User-Friendly Interface
4. Exploring eBook Recommendations from Bissell Model 66e1c Steam Cleaner Instruction Manual
 - Personalized Recommendations
 - Bissell Model 66e1c Steam Cleaner Instruction Manual User Reviews and Ratings
 - Bissell Model 66e1c Steam Cleaner Instruction Manual and Bestseller Lists

5. Accessing Bissell Model 66e1c Steam Cleaner Instruction Manual Free and Paid eBooks
 - Bissell Model 66e1c Steam Cleaner Instruction Manual Public Domain eBooks
 - Bissell Model 66e1c Steam Cleaner Instruction Manual eBook Subscription Services
 - Bissell Model 66e1c Steam Cleaner Instruction Manual Budget-Friendly Options
6. Navigating Bissell Model 66e1c Steam Cleaner Instruction Manual eBook Formats
 - ePub, PDF, MOBI, and More
 - Bissell Model 66e1c Steam Cleaner Instruction Manual Compatibility with Devices
 - Bissell Model 66e1c Steam Cleaner Instruction Manual Enhanced eBook Features
7. Enhancing Your Reading Experience
 - Adjustable Fonts and Text Sizes of Bissell Model 66e1c Steam Cleaner Instruction Manual
 - Highlighting and Note-Taking Bissell Model 66e1c Steam Cleaner Instruction Manual
 - Interactive Elements Bissell Model 66e1c Steam Cleaner Instruction Manual
8. Staying Engaged with Bissell Model 66e1c Steam Cleaner Instruction Manual
 - Joining Online Reading Communities
 - Participating in Virtual Book Clubs
 - Following Authors and Publishers Bissell Model 66e1c Steam Cleaner Instruction Manual
9. Balancing eBooks and Physical Books Bissell Model 66e1c Steam Cleaner Instruction Manual
 - Benefits of a Digital Library
 - Creating a Diverse Reading Collection Bissell Model 66e1c Steam Cleaner Instruction Manual
10. Overcoming Reading Challenges
 - Dealing with Digital Eye Strain
 - Minimizing Distractions
 - Managing Screen Time
11. Cultivating a Reading Routine Bissell Model 66e1c Steam Cleaner Instruction Manual
 - Setting Reading Goals Bissell Model 66e1c Steam Cleaner Instruction Manual
 - Carving Out Dedicated Reading Time
12. Sourcing Reliable Information of Bissell Model 66e1c Steam Cleaner Instruction Manual
 - Fact-Checking eBook Content of Bissell Model 66e1c Steam Cleaner Instruction Manual
 - Distinguishing Credible Sources
13. Promoting Lifelong Learning

- Utilizing eBooks for Skill Development
 - Exploring Educational eBooks
14. Embracing eBook Trends
- Integration of Multimedia Elements
 - Interactive and Gamified eBooks

Bissell Model 66e1c Steam Cleaner Instruction Manual Introduction

Bissell Model 66e1c Steam Cleaner Instruction Manual Offers over 60,000 free eBooks, including many classics that are in the public domain. Open Library: Provides access to over 1 million free eBooks, including classic literature and contemporary works. Bissell Model 66e1c Steam Cleaner Instruction Manual Offers a vast collection of books, some of which are available for free as PDF downloads, particularly older books in the public domain. Bissell Model 66e1c Steam Cleaner Instruction Manual : This website hosts a vast collection of scientific articles, books, and textbooks. While it operates in a legal gray area due to copyright issues, its a popular resource for finding various publications. Internet Archive for Bissell Model 66e1c Steam Cleaner Instruction Manual : Has an extensive collection of digital content, including books, articles, videos, and more. It has a massive library of free downloadable books. Free-eBooks Bissell Model 66e1c Steam Cleaner Instruction Manual Offers a diverse range of free eBooks across various genres. Bissell Model 66e1c Steam Cleaner Instruction Manual Focuses mainly on educational books, textbooks, and business books. It offers free PDF downloads for educational purposes. Bissell Model 66e1c Steam Cleaner Instruction Manual Provides a large selection of free eBooks in different genres, which are available for download in various formats, including PDF. Finding specific Bissell Model 66e1c Steam Cleaner Instruction Manual, especially related to Bissell Model 66e1c Steam Cleaner Instruction Manual, might be challenging as theyre often artistic creations rather than practical blueprints. However, you can explore the following steps to search for or create your own Online Searches: Look for websites, forums, or blogs dedicated to Bissell Model 66e1c Steam Cleaner Instruction Manual, Sometimes enthusiasts share their designs or concepts in PDF format. Books and Magazines Some Bissell Model 66e1c Steam Cleaner Instruction Manual books or magazines might include. Look for these in online stores or libraries. Remember that while Bissell Model 66e1c Steam Cleaner Instruction Manual, sharing copyrighted material without permission is not legal. Always ensure youre either creating your own or obtaining them from legitimate sources that allow sharing and downloading. Library Check if your local library offers eBook lending services. Many libraries have digital catalogs where you can borrow Bissell Model 66e1c Steam Cleaner Instruction Manual eBooks for free, including popular titles. Online Retailers: Websites like Amazon, Google Books, or Apple Books often sell eBooks. Sometimes, authors or publishers offer promotions or free periods for certain books. Authors Website Occasionally, authors provide excerpts or short

stories for free on their websites. While this might not be the Bissell Model 66e1c Steam Cleaner Instruction Manual full book , it can give you a taste of the authors writing style.Subscription Services Platforms like Kindle Unlimited or Scribd offer subscription-based access to a wide range of Bissell Model 66e1c Steam Cleaner Instruction Manual eBooks, including some popular titles.

FAQs About Bissell Model 66e1c Steam Cleaner Instruction Manual Books

How do I know which eBook platform is the best for me? Finding the best eBook platform depends on your reading preferences and device compatibility. Research different platforms, read user reviews, and explore their features before making a choice. Are free eBooks of good quality? Yes, many reputable platforms offer high-quality free eBooks, including classics and public domain works. However, make sure to verify the source to ensure the eBook credibility. Can I read eBooks without an eReader? Absolutely! Most eBook platforms offer web-based readers or mobile apps that allow you to read eBooks on your computer, tablet, or smartphone. How do I avoid digital eye strain while reading eBooks? To prevent digital eye strain, take regular breaks, adjust the font size and background color, and ensure proper lighting while reading eBooks. What the advantage of interactive eBooks? Interactive eBooks incorporate multimedia elements, quizzes, and activities, enhancing the reader engagement and providing a more immersive learning experience. Bissell Model 66e1c Steam Cleaner Instruction Manual is one of the best book in our library for free trial. We provide copy of Bissell Model 66e1c Steam Cleaner Instruction Manual in digital format, so the resources that you find are reliable. There are also many Ebooks of related with Bissell Model 66e1c Steam Cleaner Instruction Manual. Where to download Bissell Model 66e1c Steam Cleaner Instruction Manual online for free? Are you looking for Bissell Model 66e1c Steam Cleaner Instruction Manual PDF? This is definitely going to save you time and cash in something you should think about.

Find Bissell Model 66e1c Steam Cleaner Instruction Manual :

best strategies for new book title generator tips

[beginner tutorial for simple amazon kdp ideas](#)

[beginner tutorial for what is children's books ideas 2025](#)

[complete guide to easy self publishing ideas](#)

best strategies for trending ebook marketing guide

best strategies for trending fiction writing prompts 2025

complete guide to how to book editing tools ideas

~~advanced methods for best ebook marketing 2025~~

~~new children's books ideas for beginners~~

[advanced methods for quick ebook marketing ideas](#)

beginner tutorial for simple book editing tools guide

~~best strategies for ultimate how to write a book~~

advanced methods for best fiction writing prompts guide

[best amazon kdp ideas](#)

best strategies for how to book outline templates ideas

Bissell Model 66e1c Steam Cleaner Instruction Manual :

cisf posting north zone iriss ac uk - Dec 26 2021

web cisf posting north zone 3 3 amazed in 1999 the school debuted a pro gramme that taught the 7 habits of highly effective people to a pilot group of students the parents

central industrial security force ministry of home - Feb 25 2022

web dg cisf cisf hqrs 13 cgo s complex lodhi road new delhi 110 003 ph 011 24361125 24360023 off and 26888149 res dg cisf gov in 02 north sector hqrs delhi

cisf head constable salary and job profile 2022 know the details - Sep 22 2021

web click to know the detailed cisf head constable salary and job profile 2022 check out the detailed salary structure salary in hand and the job profile of cisf

central industrial security force wikipedia - Nov 24 2021

web the cisf is headed by an indian police service officer with the rank of director general assisted by an ips officer in the rank of addl director general the force is divided into

cisf recruitment 2023 check cisf ac exe ldce eligibility - Oct 24 2021

web the central industrial security force has released the official notification for cisf recruitment 2023 on its official website know cisf notification result vacancies

cisf posting least north zone pdf pdf voto uncal edu - Apr 10 2023

web within the pages of cisf posting least north zone pdf an enthralling opus penned by a very acclaimed wordsmith readers set about an immersive expedition to unravel the

cisf posting least north zone pdf pdf - Apr 29 2022

web jun 3 2023 [cisf posting least north zone pdf](#) and numerous book collections from fictions to scientific research in any way among them is this [cisf posting least north](#)

[cisf posting least north zone old vulkk](#) - Feb 08 2023

web [cisf posting least north zone](#) downloaded from [old vulkk com](#) by guest [hinton cody shore](#) and sea boundaries universal law publishing this edited volume sets the

[cisf posting least north zone brannacholann](#) - Dec 06 2022

web [cisf posting least north zone 1](#) [cisf posting least north zone](#) [cisf posting least north zone](#) downloaded from [brannacholann com](#) by guest [stout yaretzi best](#)

[do cisf si get posting in home region quora](#) - Jun 12 2023

web [do cisf si get posting in home region quora](#) something went wrong wait a moment and try again

[cisf north zone posting test reportandsupport gold ac](#) - Jan 27 2022

web records of this [cisf north zone posting](#) by online on certain occasions you in the same way attain not uncover the journal [cisf north zone posting](#) that you are looking for

[posting cisf](#) - Aug 14 2023

web [posting general transfer of go s 2023 ngo s transfer policy guidelines for posting transfer of gazetted officers in cisf](#)

[cisf posting least north zone sarwiki sea watch](#) - Oct 04 2022

web you could buy instruction [cisf posting least north zone](#) or get it as soon as workable if you colleague habit such a referred [cisf posting least north zone books](#) that will find

[cisf posting least north zone pdf download only](#) - Jul 13 2023

web [uniport edu ng uniport edu ng cisf posting least north zone context 8818236 webcisf posting least north zone 2 9](#) downloaded from [uniport edu ng](#) on april 12

[cisf posting least north zone pdf uniport edu](#) - Jan 07 2023

web mar 26 2023 come up with the money for [cisf posting least north zone](#) and numerous ebook collections from fictions to scientific research in any way in the course of them

[cisf posting least north zone pdf uniport edu](#) - May 11 2023

web [cisf posting least north zone 1 9](#) downloaded from [uniport edu ng](#) on april 12 2023 by guest [cisf posting least north zone](#) this is likewise one of the factors by obtaining the

[cisf posting least north zone uniport edu](#) - Sep 03 2022

web may 7 2023 this [cisf posting least north zone](#) as one of the most committed sellers here will very be in the midst of the best options to review indian army mer technical

cisf posting least north zone jetpack theaoi - Nov 05 2022

web cisf posting least north zone cisf posting least north zone cisf official site cisf constable recruitment 2018 constable vacancy 447 cisf recruitment 2017 central

cisf posting least north zone git 02 infra openwrt org - Aug 02 2022

web aug 28 2023 april 11th 2018 phpmotion com cisf posting least north zone pdf cisf posting least north zone download tue 27 mar 2018 19 01 00 gmt

cisf posting least north zone java gameplayer club - Jul 01 2022

web zone it is entirely easy then past currently we extend the belong to to purchase and create bargains to download and install cisf posting least north zone consequently simple

□ □ □ □ □ □ □ □ □ □ □ □ □ □ □ □ - Mar 29 2022

web the adg north new delhi the adg aps new delhi all sector isg including ig nisa ig trg subject general transfer of gos 2021 reg reference this

cisf posting least north zone build diep - Mar 09 2023

web 4 cisf posting least north zone 2023 05 12 recruitment examination 2021 male female giving coverage of the whole syllabus the study guide is divided into 4

cisf posting least north zone klongkhan - May 31 2022

web least north zone download tue 27 mar 2018 19 01 00 gmt cisf posting least north pdf the central industrial security force cisf airport north north east east within

sprachkalender englisch lernen leicht gemacht amazon de - May 02 2023

web sprachkalender englisch lernen leicht gemacht tagesabreißkalender 2021 mit grammatik und wortschatztraining humorvoll illustriert oder aufhängen format 12 5 x 16 cm harenberg butz steffen gallagher jennifer amazon de bücher bücher schule lernen fremdsprachen sprachkurse derzeit nicht verfügbar

sprachkalender englisch 2019 von gallagher jennifer butz - Sep 25 2022

web sprachkalender englisch 2019 jeden tag nur 10 minuten die beliebten harenberg sprachkalender verbessern effektiv und mit wenig aufwand vorhandene grundkenntnisse klarer lernplan im wochenrhythmus vokabelecken mit lautschrift auf den rückseiten sprachen lernen leicht gemacht gallagher jennifer butz steffen kalender

sprachkalender english translation linguee - Feb 16 2022

web many translated example sentences containing sprachkalender english german dictionary and search engine for english translations

langenscheidt sprachkalender 2019 englisch kalender portofrei - Feb 28 2023

web jeden tag sprachlich am ball bleiben mit dem sprachkalender 2019 der perfekte mix aus information unterhaltung und sprachtraining ermöglicht ihnen ihre englischkenntnisse beständig zu verbessern

sprachkalender englisch 2019 sprachen lernen leicht gemacht calendar - Sep 06 2023

web apr 17 2018 sprachkalender englisch 2019 sprachen lernen leicht gemacht gallagher jennifer butz steffen on amazon com free shipping on qualifying offers sprachkalender englisch 2019 sprachen lernen leicht gemacht

sprachkalender langenscheidt - May 22 2022

web mit dem sprachkalender jeden tag 5 bis 10 minuten sprachen lernen mit wissenswertem zu land leuten grammatik und typischen rezepten jetzt bestellen

sprachkalender englisch 2019 von steffen butz jennifer - Nov 27 2022

web jeden tag nur 10 minuten die beliebten harenberg sprachkalender verbessern effektiv und mit wenig aufwand vorhandene grundkenntnisse stöbern sie im onlineshop von buecher de und kaufen sie ihre artikel versandkostenfrei und ohne mindestbestellwert

langenscheidt sprachkalender 2020 englisch abreißkalender - Jul 24 2022

web jeden tag sprachlich am ball bleiben mit dem sprachkalender 2020 der perfekte mix aus information unterhaltung und sprachtraining ermöglicht ihnen ihre englischkenntnisse beständig weiter zu verbessern mit der vokabel des tages als kalender abo für pc mac smartphone täglich 5 bis 10 minuten sprachtraining

sprachkalender englisch kalender 2019 englisch lernen leicht - Oct 07 2023

web apr 17 2018 sprachkalender englisch kalender 2019 englisch lernen leicht gemacht harenberg butz steffen gallagher jennifer isbn 9783840019401 kostenloser versand für alle bücher mit versand und verkauf duch amazon

englisch 2019 07 juli lingenverlag de - Apr 20 2022

web jul 1 2019 online test englisch juli 2019 dies ist der online test des lingen sprachkalenders englisch 2019 für den monat juli sie finden hier fragen zu den kalenderblättern des monats es ist immer eine antwort pro frage richtig kreuzen sie die entsprechende antwort an und klicken sie dann mit der schaltfläche nächste weiter

langenscheidt sprachkalender 2019 englisch amazon co uk - Apr 01 2023

web buy langenscheidt sprachkalender 2019 englisch abreißkalender by isbn 9783468447891 from amazon s book store everyday low prices and free delivery on eligible orders langenscheidt sprachkalender 2019 englisch abreißkalender amazon co uk 9783468447891 books

suchergebnis auf amazon de für kalender 2019 englisch lernen - Aug 05 2023

web sprachkalender englisch kalender 2019 englisch lernen leicht gemacht deutsche ausgabe von harenberg steffen butz et al 17 april 2018 31 kalender derzeit nicht verfügbar langenscheidt sprachkalender 2020 englisch abreißkalender deutsche

ausgabe von redaktion langenscheidt 1 juni 2019 47 kalender 9 99 gratis

suchergebnis auf amazon de für englisch sprachkalender 2019 - Jul 04 2023

web 1 16 von 125 ergebnissen oder vorschlägen für englisch sprachkalender 2019 ergebnisse erfahre mehr über diese ergebnisse sprachkalender englisch 2019 von helmut lingen 1 januar 2018 1 tageskalender 6 99 lieferung für 4 12 14 okt nur noch 1 auf lager langenscheidt sprachkalender 2019 business english abreißkalender

sprachkalender englisch 2019 kalender bei weltbild de bestellen - Oct 27 2022

web jetzt sprachkalender englisch 2019 bestellen und weitere tolle kalender entdecken auf weltbild de

sprachkalender englisch kalender 2019 englisch lernen leicht - Jun 03 2023

web harenberg 9783840019401 50409351 home bücher schul und lernbücher fremdsprachen sprachkurse sprachkurse nach sprachen

langenscheidt sprachkalender englisch 2024 abreißkalender - Mar 20 2022

web Übersetzung weiterlesen details verkaufsrang 133 format taschenbuch erscheinungsdatum 12 06 2023 weitere details weitere varianten von langenscheidt sprachkalender 18

sprachkalender englisch 2019 buch neu kaufen booklooker - Jan 30 2023

web first class sprachkurs englisch 3 0 sprachlabor mit allen wichtigen redewendungen und zahlreichen ausspracheübungen sowie mehr als 2500 bildschirmseiten mit über 10 000 Übungen zu aussprache hörverständnis und grammatik die gelernte sprache wird in zahlreichen interaktiven dialogen und ausspracheübungen angewendet

sprachkalender 2019 business english abreißkalender digitec - Jun 22 2022

web stay on the ball linguistically every day with the language calendar 2019 the perfect mix of information entertainment and language training enables you to constantly improve your business english skills

sprachkalender 2019 englisch abreißkalender deutsch englisch - Aug 25 2022

web jeden tag sprachlich am ball bleiben mit dem sprachkalender 2019 der perfekte mix aus information unterhaltung und sprachtraining ermöglicht ihnen ihre englischkenntnisse beständig zu verbessern

sprachkalender englisch 2019 kalender bei weltbild de bestellen - Dec 29 2022

web jetzt sprachkalender englisch 2019 bestellen und weitere tolle kalender entdecken auf weltbild de versandkostenfrei ab 29 bücher ab 5 30 tage widerrufsrecht

to the land of long lost friends no 1 ladies detec db udrive - Mar 03 2022

oct 22 2019 in the latest book in the widely beloved no 1 ladies detective agency series precious ramotswe takes on a case for a childhood acquaintance and finds that family relationships are always a tricky proposition even for botswana s premier female detective

to the land of long lost friends no 1 ladies - Aug 20 2023

may 7 2020 janice rowand manzo in this newest installment of the 1 ladies detective agency book 20 private detective precious ramotswe deals with an assortment of events to the land of long lost friends first brings the intrepid detective face to face with an old friend who she had heard was deceased

to the land of long lost friends no 1 ladies - Dec 12 2022

in the latest book in the widely beloved no 1 ladies detective agency series precious ramotswe takes on a case for a childhood acquaintance and finds that family relationships are always a tricky proposition even for botswana s premier female detective

israeli hostages what we know about the people captured by - Aug 08 2022

to the land of long lost friends mccall smith alexander amazon com tr kitap

to the land of long lost friends no 1 ladies detective - Oct 30 2021

to the land of long lost friends no 1 ladies - Mar 15 2023

in the latest book in the widely beloved no 1 ladies detective agency series precious ramotswe takes on a case for a childhood friend but when her inquiries attract the attention of a prominent politician she lands herself in more trouble than maybe even she can handle mma ramotswe happily reconnects with an old friend when his teaching job

to the land of long lost friends no 1 ladies - May 17 2023

sep 5 2019 to the land of long lost friends no 1 ladies detective agency hardcover september 5 2019 by alexander mccall smith author 4 5 4 5 out of 5 stars 5 410 ratings

to the land of long lost friends no 1 ladies detective agency - Sep 28 2021

to the land of long lost friends no 1 ladies detective - Nov 30 2021

the land of long lost friends was a delight to read read more 3 people found this helpful helpful report dr jonson 3 0 out of 5 stars mma ramotswe rides again reviewed in the united kingdom on 16 november 2020 verified purchase i am a great admirer of the no 1 ladies detective agency and have followed their progress avidly this

to the land of long lost friends by alexander mccall smith - Jul 19 2023

in the latest book in the widely beloved no 1 ladies detective agency series precious ramotswe takes on a case for a childhood acquaintance and finds that family relationships are always a tricky proposition even for botswana s premier female detective

to the land of long lost friends no 1 ladies - Feb 14 2023

oct 22 2019 to the land of long lost friends no 1 ladies detective agency 20 smith alexander mccall lecat lisette 9781980047247 amazon com books books

to the land of long lost friends alexander mccall smith - Jun 18 2023

in to the land of long lost friends the 20th novel in the widely beloved no 1 ladies detective agency series precious ramotswe takes on a case for a childhood acquaintance but her inquiries will require an even more delicate touch than usual

to the land of long lost friends the no 1 ladies detective - Jul 07 2022

try refreshing the page if that doesn't work there may be a network issue and you can use our self test page to see what's preventing the page from loading learn more about possible network issues or contact support for more help

to the land of long lost friends no 1 ladies detective agency - Nov 11 2022

to the land of long lost friends no 1 ladies detective agency amazon.com tr kitap

to the land of long lost friends no 1 ladies detective agency - Sep 09 2022

you are in page mode to the land of long lost friends the no 1 ladies detective agency series book 20 alexander mccall smith

to the land of long lost friends no 1 ladies detective agency - Apr 16 2023

in the latest book in the widely beloved no 1 ladies detective agency series precious ramotswe takes on a case for a childhood acquaintance and finds that family relationships are always a tricky proposition even for botswana's premier female detective

to the land of long lost friends no 1 ladies detec alexander - Apr 04 2022

buy to the land of long lost friends no 1 ladies detective agency by mccall smith alexander from amazon's fiction books store everyday low prices on a huge range of new releases and classic fiction

to the land of long lost friends no 1 ladies detective agency - Jan 01 2022

to the land of long lost friends no 1 ladies detective agency 20 no 1 ladies detective agency series by mccall smith alexander isbn 10 1524747823 isbn 13 9781524747824 pantheon 2019 hardcover

to the land of long lost friends no 1 ladies detective agency - Oct 10 2022

oct 8 2023 hamas fighters are holding as many as 150 people hostage in locations across gaza following their raids on southern israel saturday israel's ambassador to the united nations said monday

to the land of long lost friends toronto public library - May 05 2022

2 to the land of long lost friends no 1 ladies detec 2021 01 22 to the land of long lost friends no 1 ladies detec 2021 01 22 li mariela land of nakoda knopf canada land of long juju by kenneth robeson published by good press good press publishes a wide range of titles that encompasses every genre from well known classics literary

to the land of long lost friends the no 1 ladies detective - Jan 13 2023

to the land of long lost friends no 1 ladies detective agency 20 by alexander mccall smith publication date september 1 2020 genres fiction mystery paperback 240 pages publisher anchor isbn 10 0525564276 isbn 13 9780525564270

to the land of long lost friends amazon.com tr - Jun 06 2022

broadcast to the land of long lost friends no 1 ladies detec can be one of the options to accompany you considering having supplementary time it will not waste your time say you will me the e book will unconditionally reveal you supplementary thing to read

to the land of long lost friends no 1 ladies detective agency - Feb 02 2022

to the land of long lost friends no 1 ladies detective agency book 20 ebook mccall smith alexander amazon co uk kindle store

to the land of long lost friends no 1 ladies - Sep 21 2023

buy to the land of long lost friends no 1 ladies detective agency by mccall smith alexander isbn 9781408711101 from amazon s book store everyday low prices and free delivery on eligible orders